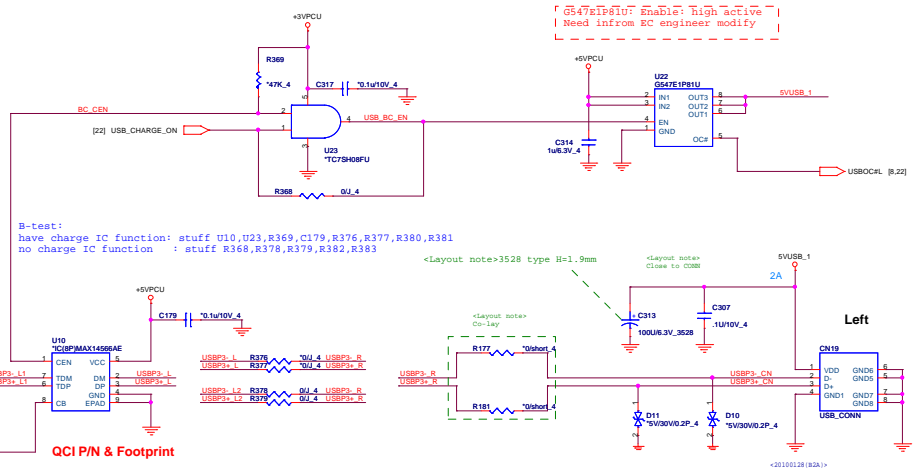


USB for iPod charge (USB)

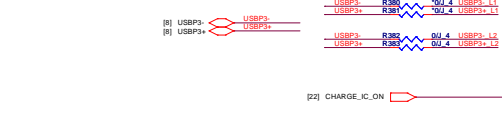
Enable USB Charger					
	AC	DC(Battery > Setting%)		DC(Battery < Setting%)	
Charge Feature	S3	S4/S5	S3	S4/S5	S4/S5
Wake Feature	X		X		X

Disable USB Charger					
	AC	DC(Battery > Setting%)		DC(Battery < Setting%)	
Charge Feature	S3	S4/S5	S3	S4/S5	S4/S5
Wake Feature	△	X	△	X	△

Note.1 Devices can be charged or not should same as other USB ports

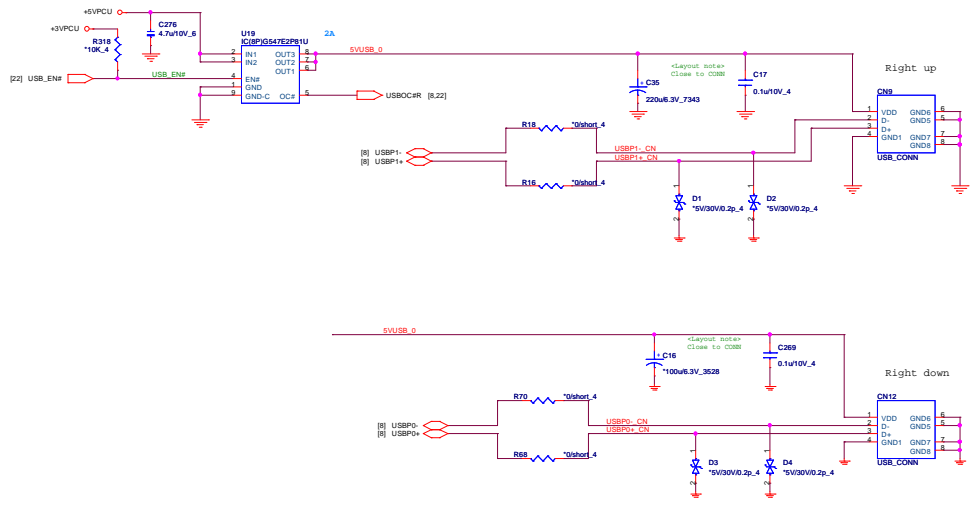


B-Test:
 have charge IC function: stuff U10,U23,R369,C179,R376,R377,R380,R381
 no charge IC function : stuff R368,R378,R379,R382,R383



System Status:
 > Lo: AM, autodetection charger identification active.
 > Hi: PM, pass-through mode active, DP/DM connected to TDP/TDM.

USB(USB)



Quanta Computer Inc.
 PROJECT : ZEG
 USB on Board/LED/SW/HOLE
 Date: Friday, March 11, 2011 Sheet 17 of 35