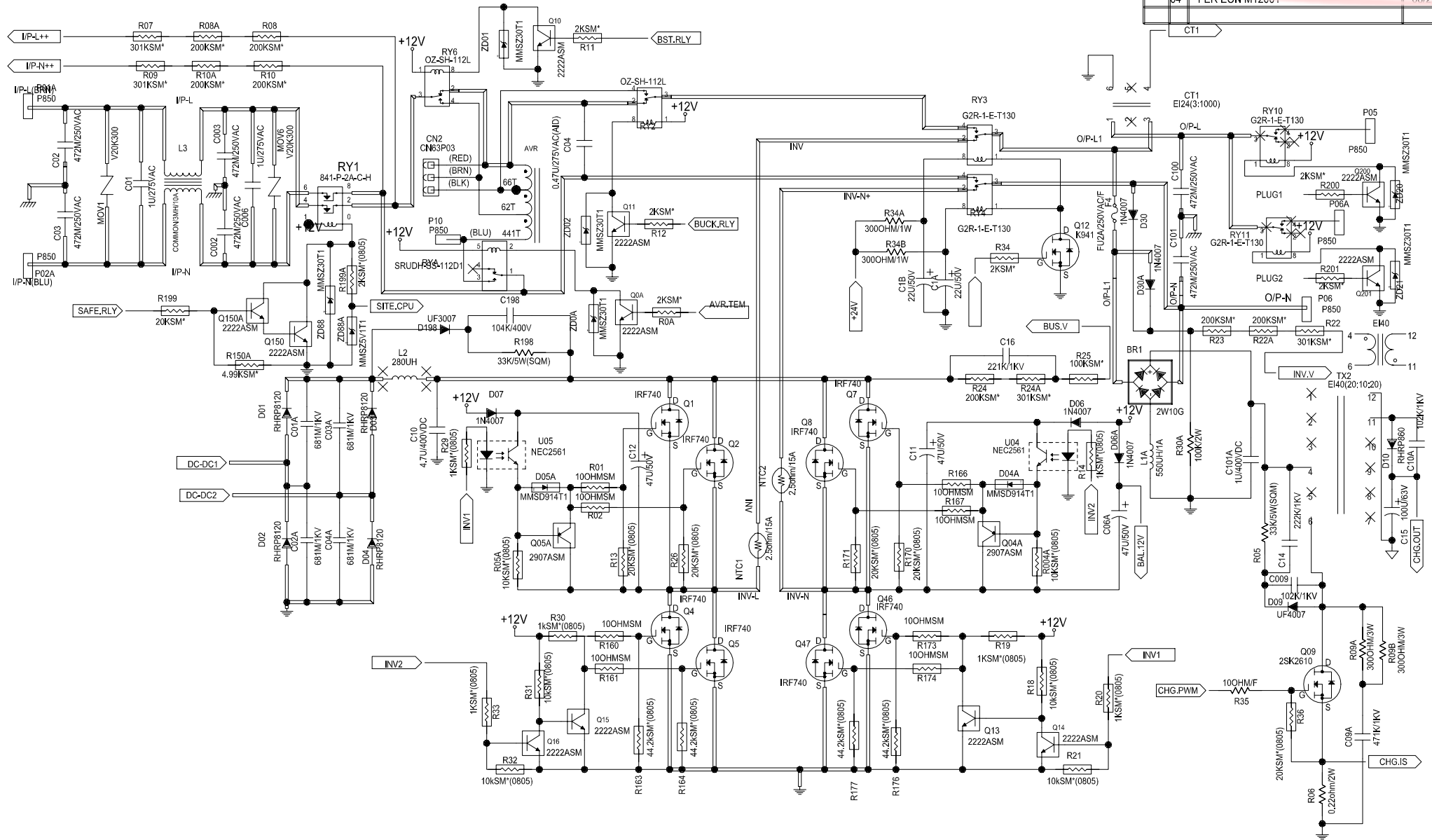
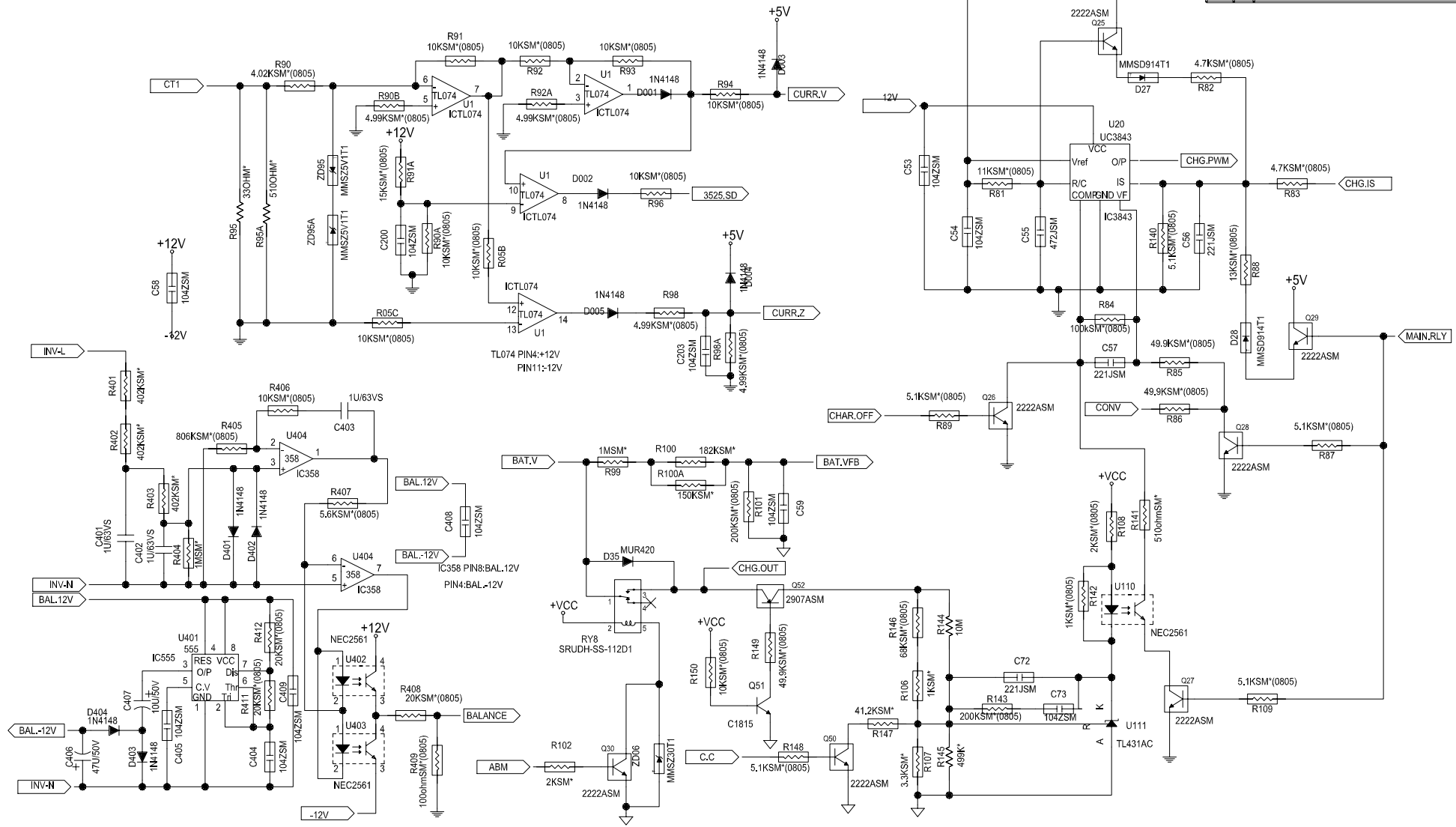


04	FER ECN M12001	08/22	N.D.
----	----------------	-------	------



MATERIAL:	DRAWN: IVY	DATE: 08/20/01	 POWERWARE Small Systems Group San Jose, CA
	CHECKED: ERIC	DATE: 09/27/01	
	MECH DESIGN: WINDY	DATE: 08/27/01	
	ELEC DESIGN: HOWDAY	DATE: 08/27/01	
FINISH:			TITLE
			PW5125 TOWER 1.5KVA 230V PSDR SCHEMATICS
<small>PROPERTY OF POWERWARE CORPORATION, NOT TO BE USED FOR MANUFACTURING PURPOSES WITHOUT WRITTEN CONSENT OF POWERWARE</small>			DRAWING NO SK8210-6108-04
CODE IDENT NO	SCALE	PRODUCT	SHEET 1 OF 5

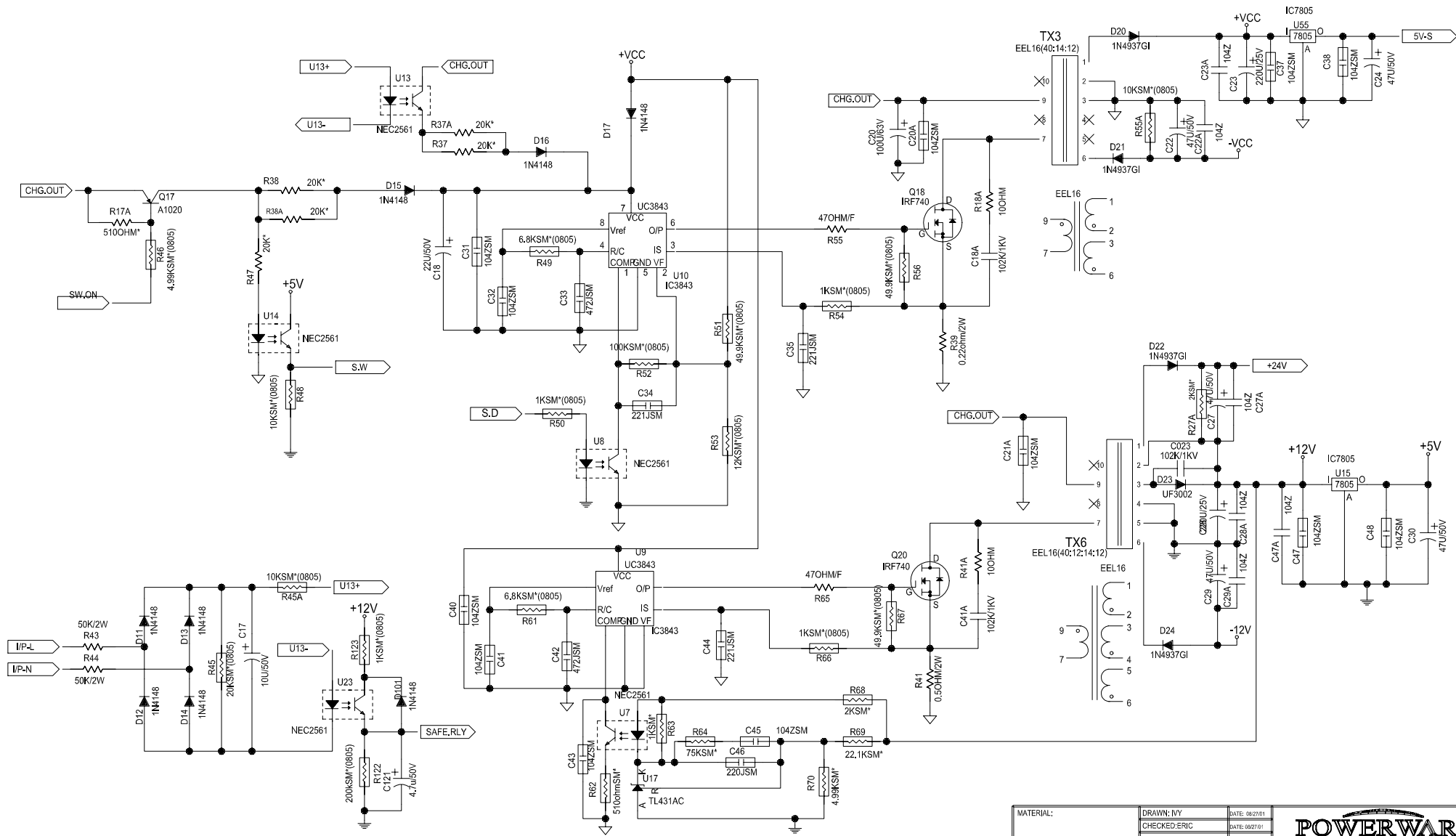
REVISED			
DATE	BY	DESCRIPTION	APPROVED
04		FER ECN M12001	08/22
			N.D.



MATERIAL:	DRAWN: IVY	DATE: 08/20/01	 POWERWARE <i>Small Systems Group</i> <small>San Jose, CA</small>
	CHECKED: ERIC	DATE: 08/27/01	
	MECH DESIGN: WINDY	DATE: 08/27/01	
	ELEC DESIGN: HOWDAY	DATE: 08/27/01	
FINISH:	TITLE		PW5125 TOWER 1.5KVA 230V PSDR SCHEMATICS REV 00
PROPERTY OF POWERWARE CORPORATION, NOT TO BE USED FOR MANUFACTURING PURPOSES WITHOUT WRITTEN CONSENT OF POWERWARE			DRAWING NO: SK8210-6108-04 REV: 00
CODE IDENT NO	SCALE	PRODUCT	SHEET 2 OF 5 PW5125

www.vinafix.vn

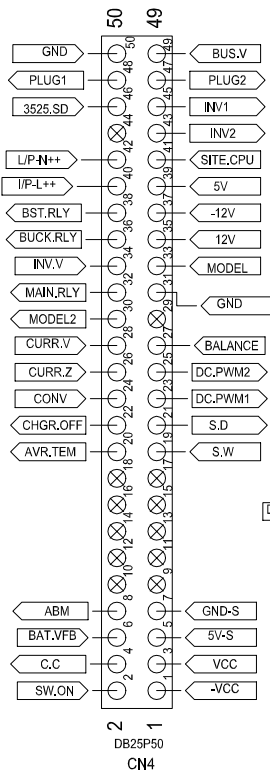
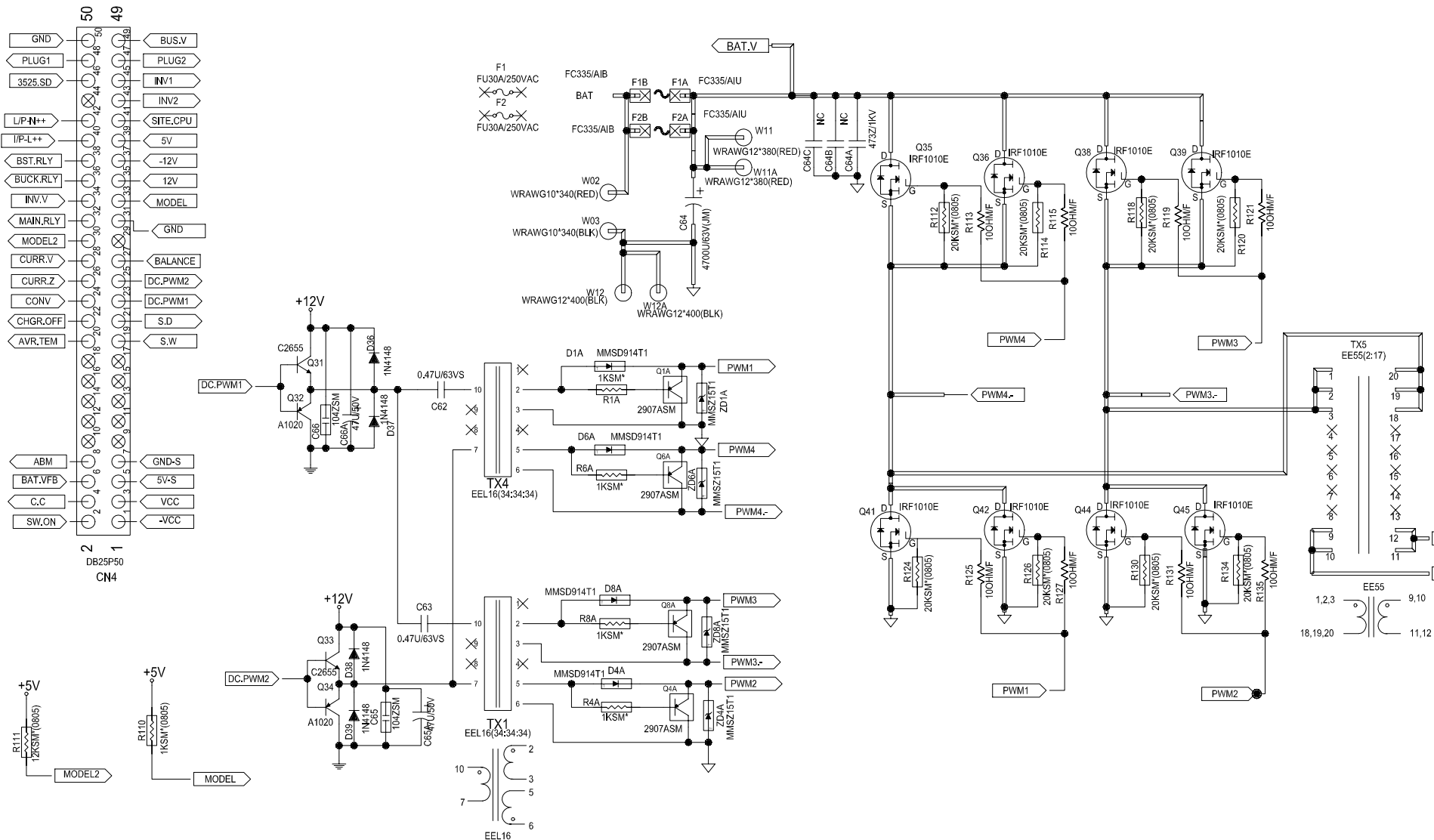
REVISE		DATE	APPROVED
04	FER ECN M12001	08/22	N.D.



MATERIAL:	DRAWN: IVY	DATE: 08/20/01	
FINISH:	CHECKED: ERIC	DATE: 08/27/01	
	MECH DESIGN: WINDY	DATE: 08/27/01	
	ELEC DESIGN: HOWDAY	DATE: 08/27/01	TITLE
			PW5125 TOWER 1.5KVA 230V PSDR SCHEMATICS
<small>PROPERTY OF POWERWARE CORPORATION, NOT TO BE USED FOR MANUFACTURING PURPOSES WITHOUT WRITTEN CONSENT OF POWERWARE</small>			CODE IDENT NO SCALE PRODUCT PW5125 SHEET 3 OF 5
SIZE B	COM CODE	DRAWING NO SK8210-6108-04	REV 00

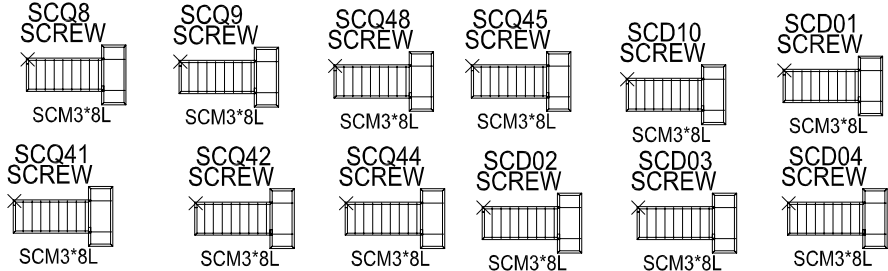
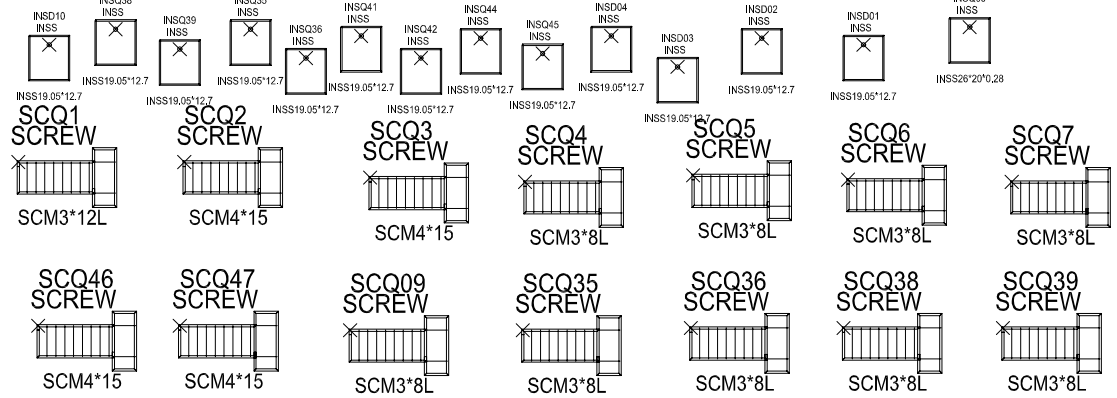
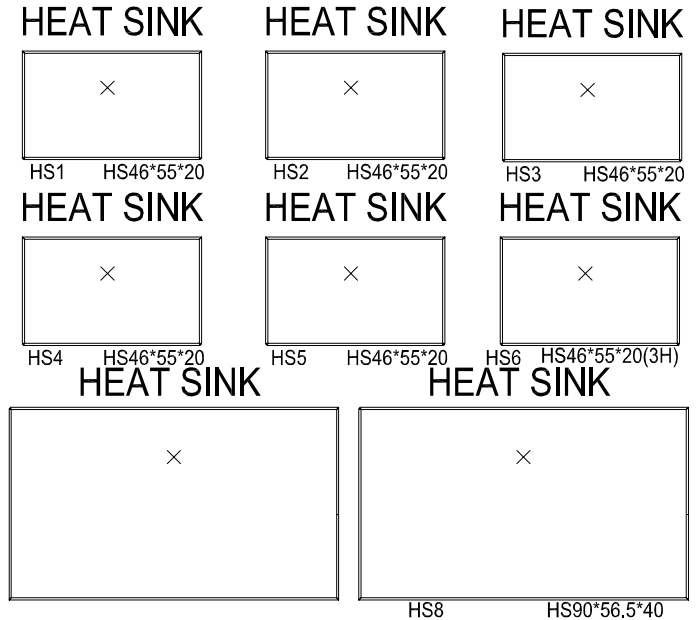
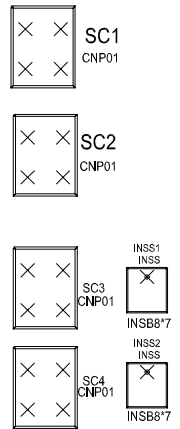
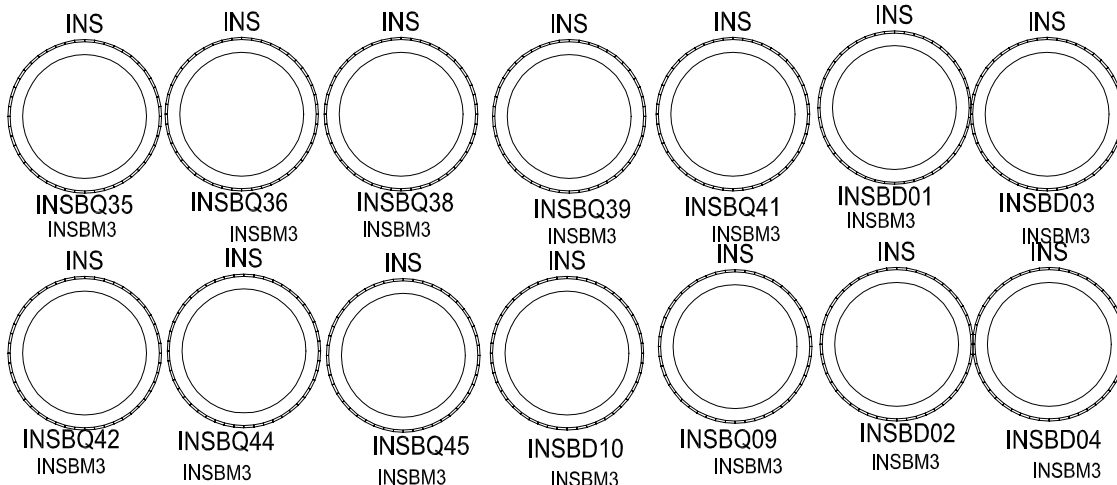
www.vinafix.vn

REVISES			
DATE	BY	DESCRIPTION	APP'D
04	FER	ECN M12001	08/22
			N.D.



MATERIAL:	DRAWN: IVY	DATE: 08/22/01	
	CHECKED: ERIC	DATE: 08/27/01	
	MECH DESIGN: WINDY	DATE: 08/27/01	
	ELEC DESIGN: HOWDAY	DATE: 08/27/01	
FINISH:			TITLE PW5125 TOWER 1.5KVA 230V PSDR SCHEMATICS
<small>PROPERTY OF POWERWARE CORPORATION. NOT TO BE USED FOR MANUFACTURING PURPOSES WITHOUT WRITTEN CONSENT OF POWERWARE</small>			SIZE B DRAWING NO SK8210-6108-04 REV 00
CODE IDENT NO	SCALE	PRODUCT PW5125	SHEET 4 OF 5

REV		DATE	BY	APP
04	FER ECN M12001	08/22		N.D.



INSS5*0.25
INS5

MATERIAL:	DRAWN: IVY	DATE: 08/27/01		
	CHECKED: ERIC	DATE: 08/27/01		
	MECH DESIGN: WINDY	DATE: 08/27/01		
	ELEC DESIGN: HOWDAY	DATE: 08/27/01		
FINISH:	TITLE		PW5125 TOWER 1.5KVA 230V PSDR SCHMATICS	
	PROPERTY OF POWERWARE CORPORATION, NOT TO BE USED FOR MANUFACTURING PURPOSES WITHOUT WRITTEN CONSENT OF POWERWARE			
SIZE	B	COM CODE	DRAWING NO	REV
SCALE			SK8210-6108-04	00
PRODUCT	PW5125	SHEET	5	OF 5