

Rotterdam 10AR

PreMP BUILD

2009.04.06

INVENTEC

TITLE
Rotterdam 10AR

SIZE	CODE	DOC. NUMBER	REV
A3	CS	1310A22508-0-MT	RAXI

CHANGE by *Drawer Name* 6-Apr-2009

SHEET 1 OF 66

TABLE OF CONTENTS

PAGE

- 1. COVER PAGE
- 2. INDEX
- 3. BLOCK DIAGRAM
- 4. POWER SEQUENCE BLOCK
- 5. PCB
- 6. SYSTEM POWER
- 7. SYSTEM POWER
- 8. SYSTEM POWER
- 9. SYSTEM POWER
- 10. SYSTEM POWER
- 11. SYSTEM POWER
- 12. SYSTEM POWER
- 13. SYSTEM POWER
- 14. SUPER I/O(KBC)
- 15. CIR(BLANK)
- 16. K/B & TP/B CONN
- 17. FAN & THERMAL
- 18. LAN
- 19. RJ45 & TRANSFORMER
- 20. AUDIO CODEC
- 21. AMP & MIC & HP
- 22. MDC
- 23. Display Port(BLANK)
- 24. LCM
- 25. RGB CONN
- 26. CEC
- 27. HDMI CONN
- 28. EXPRESS CARD CONN
- 29. CARDBUS CONN
- 30. CARDBUS CONN

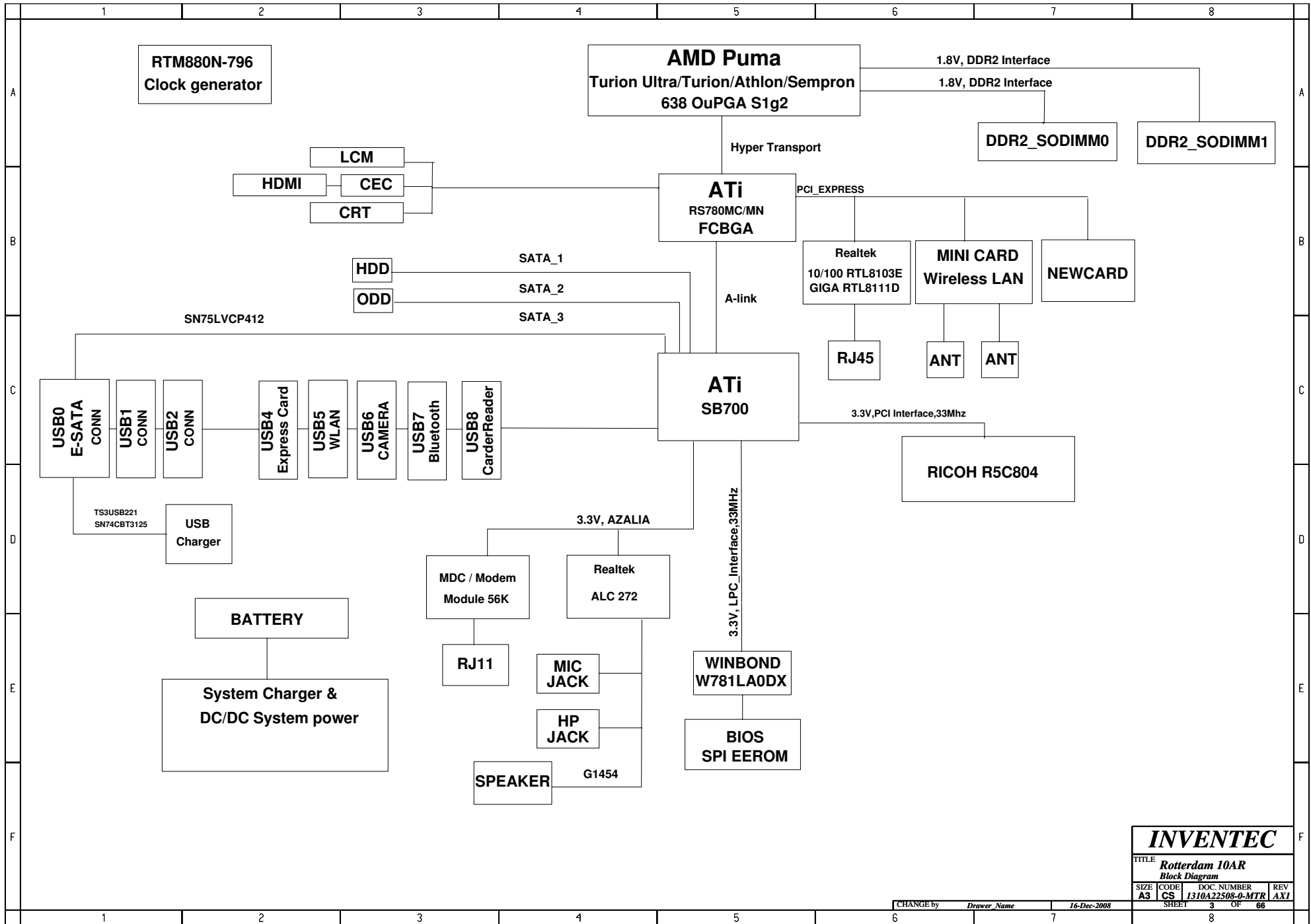
PAGE

- 31. MEM CARD READER & 1394 CONN
- 32. SATA HDD & ODD
- 33. E-SATA
- 34. USB CONN
- 35. BLUE TOOTH
- 36. CAMERA
- 37. FINGERPRINT(BLANK)
- 38. FELICA(BLANK)
- 39. FM(BLANK)
- 40. WLAN
- 41. 3G(BLANK)
- 42. WUSB(BLANK)
- 43. 3D Seneor(BLANK)
- 44. KILL SW
- 45. LID SW
- 46. LED
- 47. CONNECTOR
- 48. CLOCK GENERATOR
- 49. DDR2 DIMM0
- 50. DDR2 DIMM1
- 51. DDR DAMPING
- 52. CPU 1
- 53. CPU 2
- 54. CPU 3
- 55. CPU 4
- 56. N/B 1
- 57. N/B 2
- 58. N/B 3
- 59. N/B 4
- 60. S/B 1

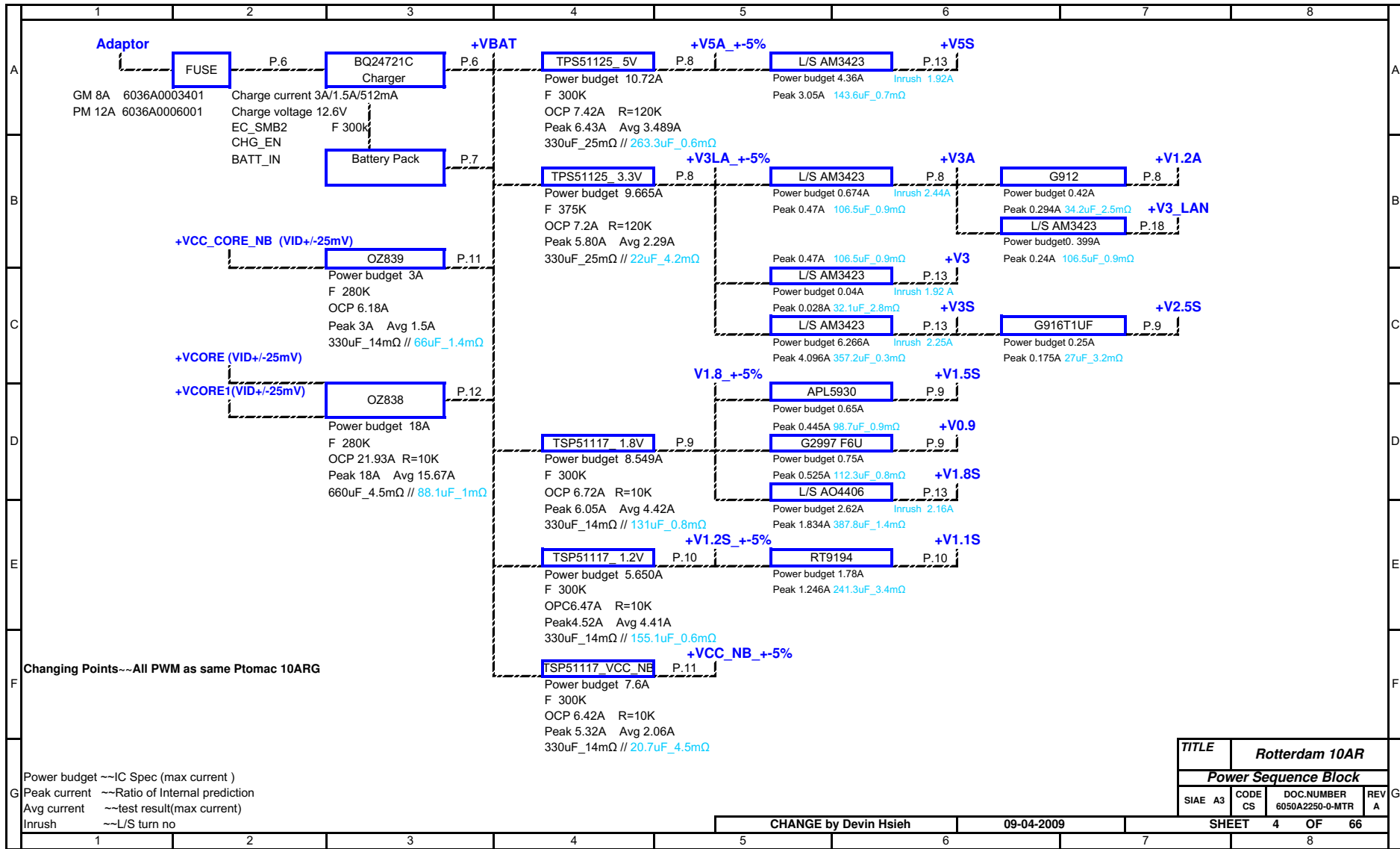
PAGE

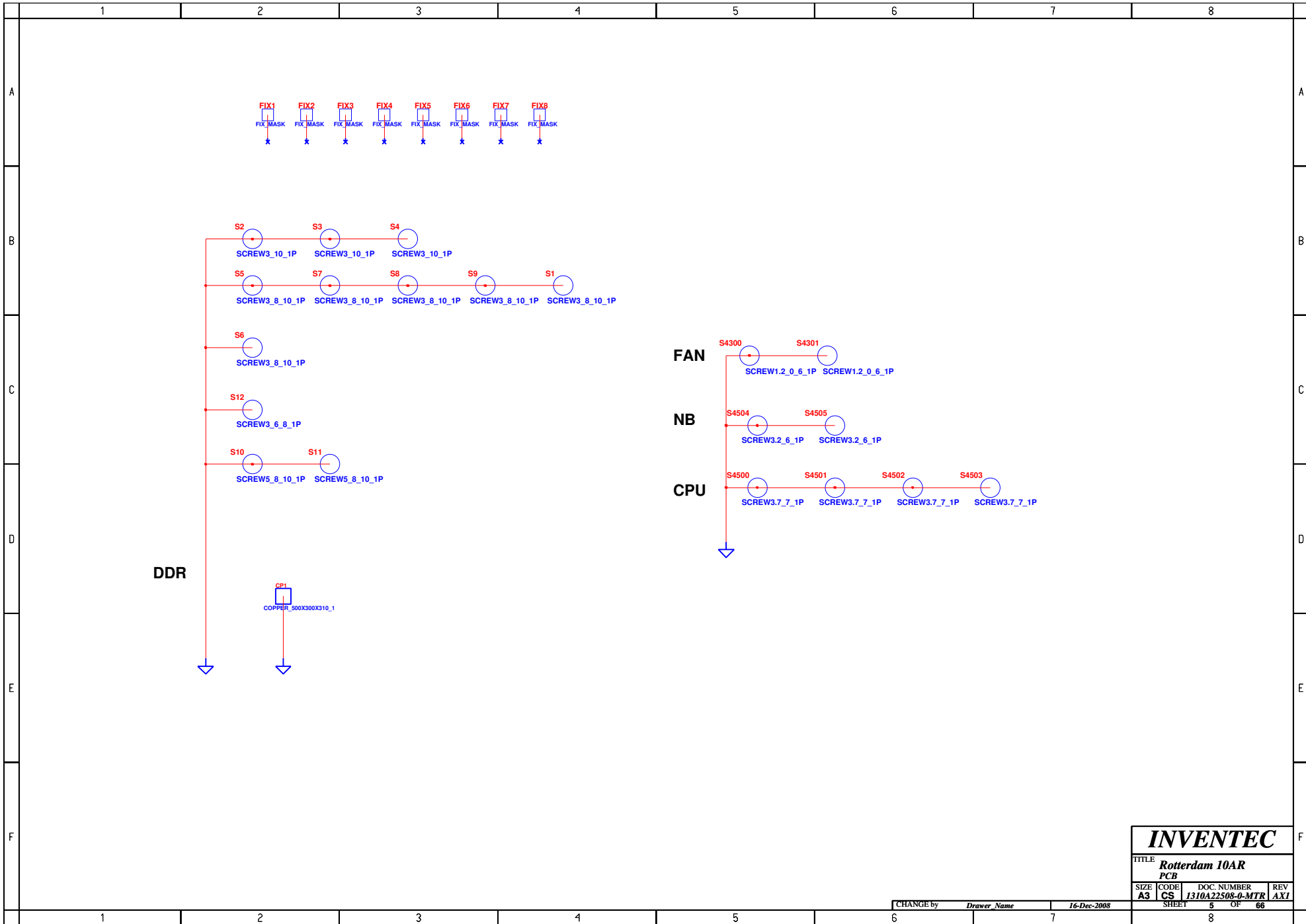
- 61. S/B 2
- 62. S/B 3
- 63. S/B 4
- 64. EMI
- 65. Small board (Hotkey and 0 Button)
- 66. Small board (TouchPad)

INVENTEC			
TITLE Rotterdam 10AR			
Index			
SIZE A3	CODE CS	DOC. NUMBER 1310A22508-0-MTR	REV AX1
CHANGE by <i>Drawer Name</i>		3-Apr-2009	
SHEET		2 OF 66	



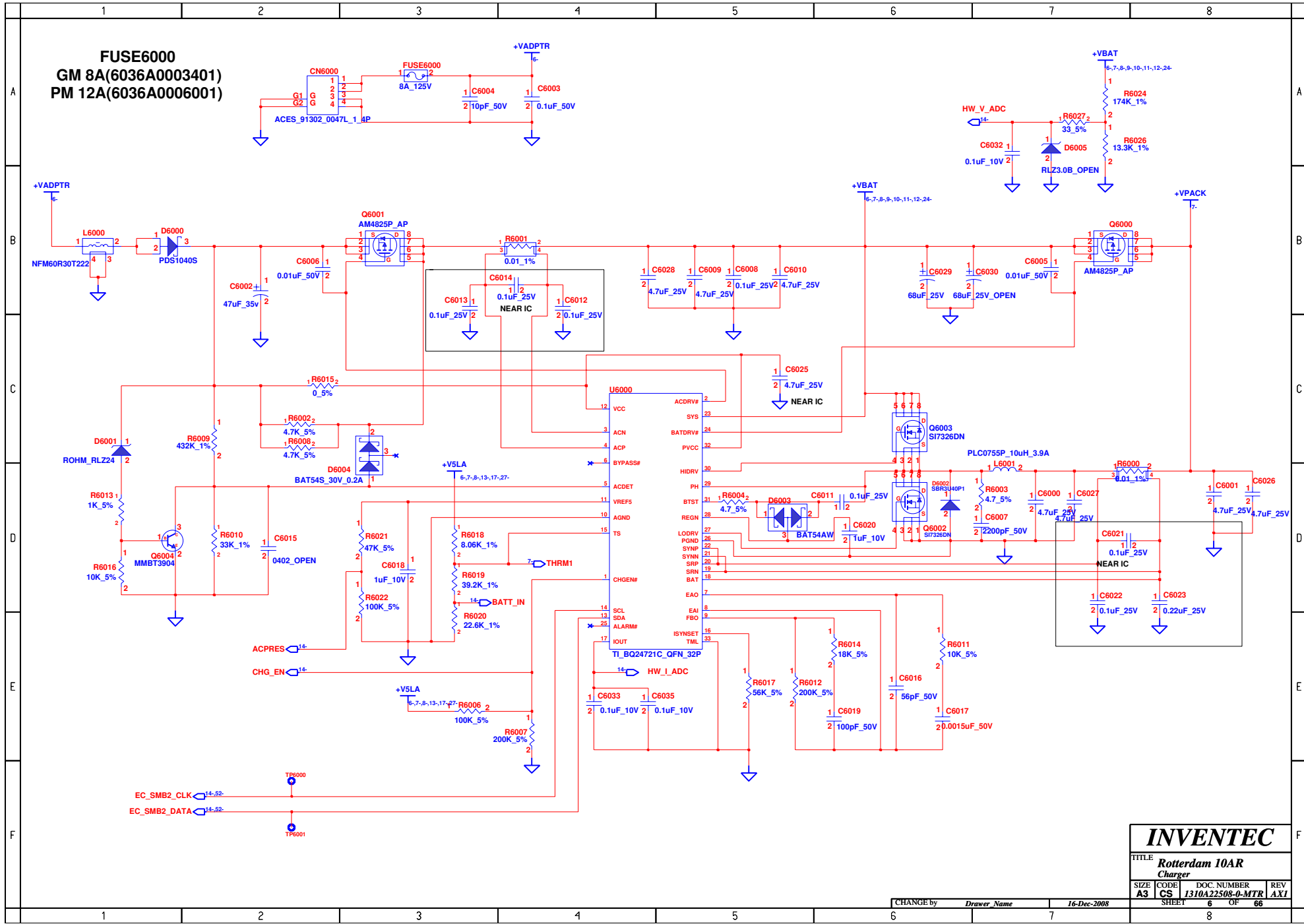
INVENTEC			
TITLE: Rotterdam 10AR			
Block Diagram			
SIZE	CODE	DOC. NUMBER	REV
A3	CS	1310A22508-0-MTR	AX1
CHANGE by		Drawer Name	16-Dec-2008
SHEET		3	OF 86



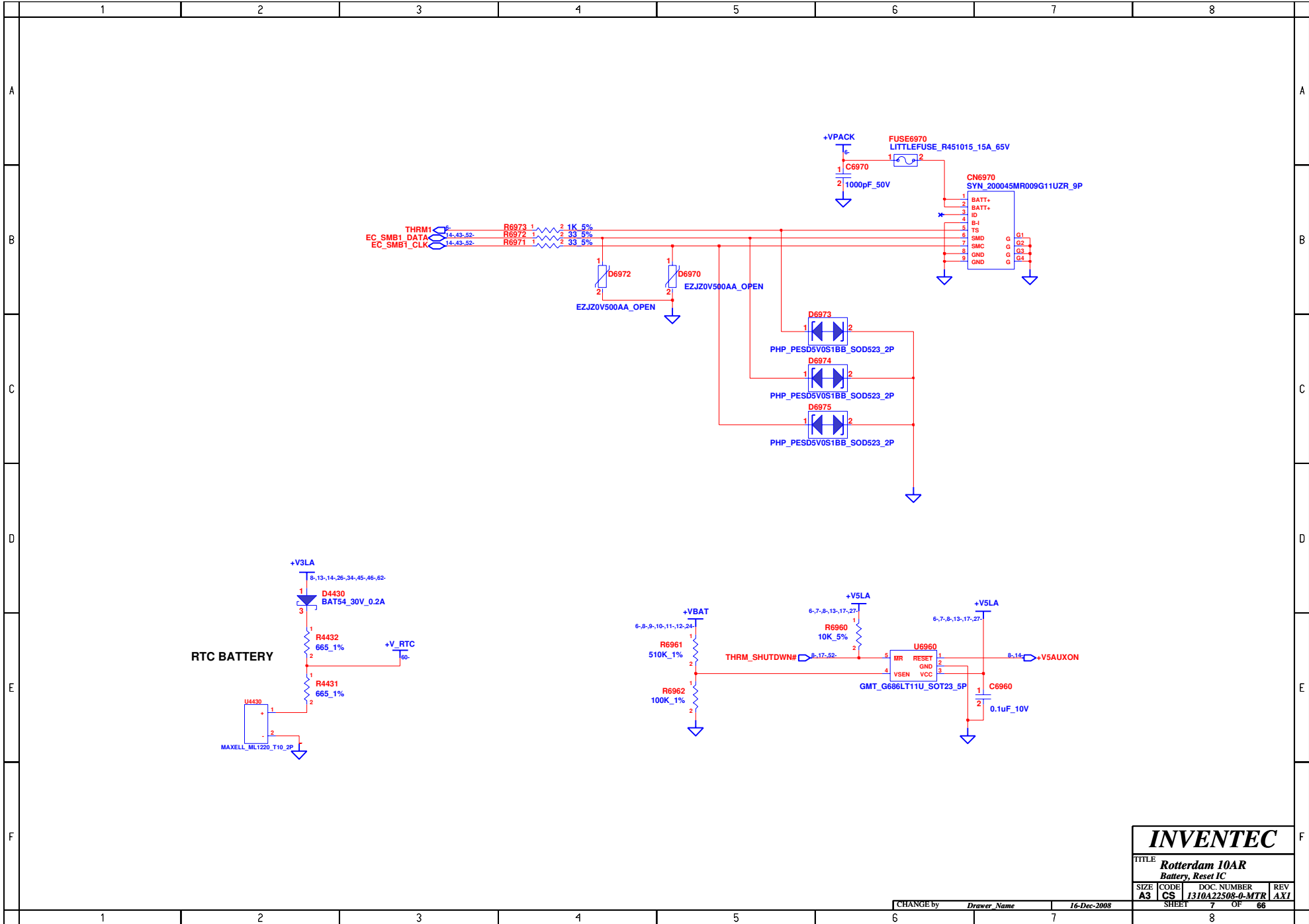


INVENTEC			
TITLE Rotterdam 10AR			
PCB			
SIZE	CODE	DOC. NUMBER	REV
A3	CS	1310A22508-0-MTR	AX1
CHANGE by <i>Drawer Name</i>		16-Dec-2008	
SHEET 5		OF 66	

FUSE6000
GM 8A(6036A0003401)
PM 12A(6036A0006001)

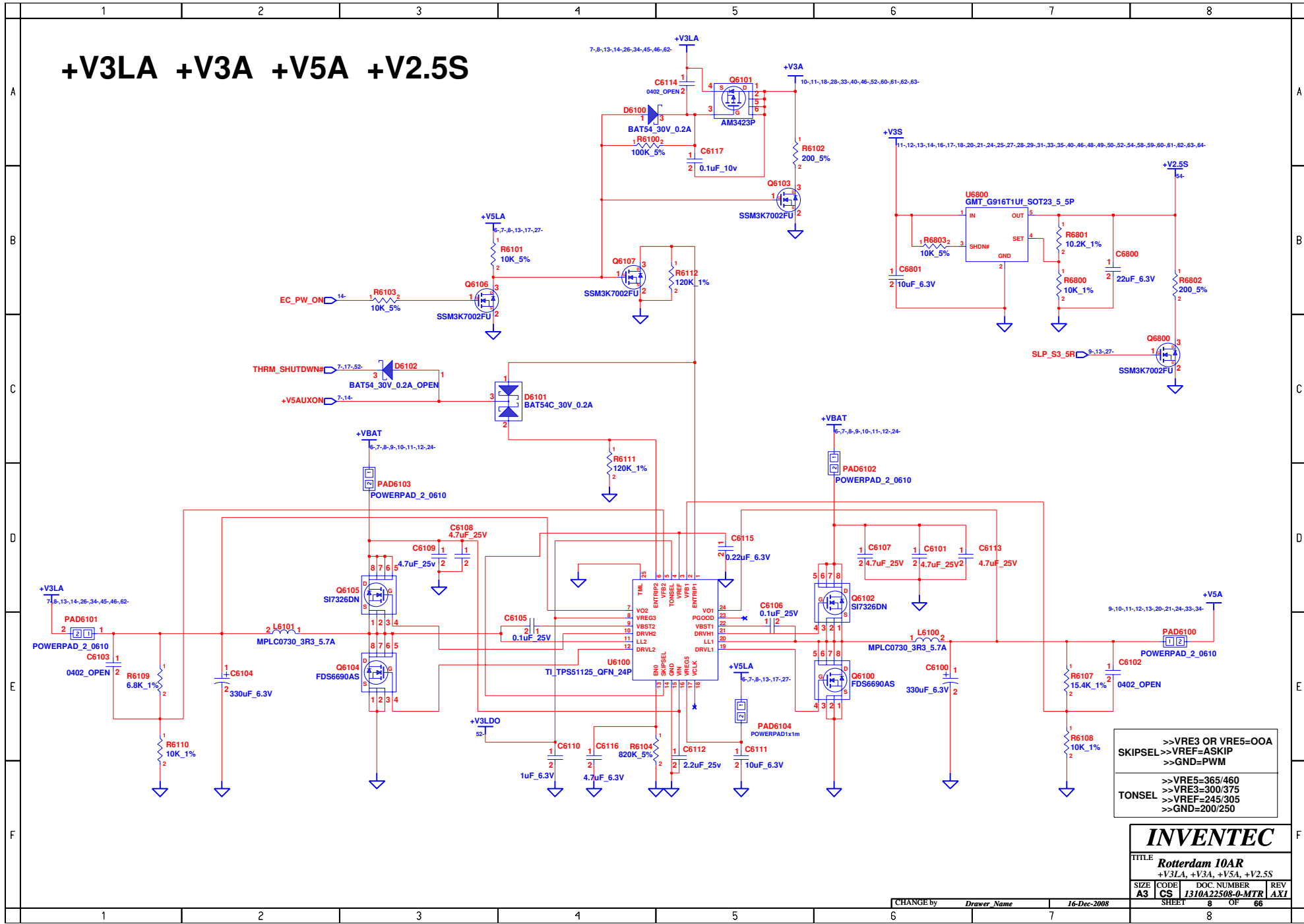


INVENTEC			
TITLE Rotterdam 10AR Charger			
SIZE A3	CODE CS	DOC. NUMBER 1310A22508-0-MTR	REV AX1
CHANGE by <i>Drawer Name</i>		16-Dec-2008	
SHEET		6 OF 86	



INVENTEC			
TITLE Rotterdam 10AR Battery, Reset IC			
SIZE A3	CODE CS	DOC NUMBER 1310A22508-0-MTR	REV AXI
CHANGE by <i>Drawer Name</i>		16-Dec-2008	
SHEET 7		OF 86	

+V3LA +V3A +V5A +V2.5S



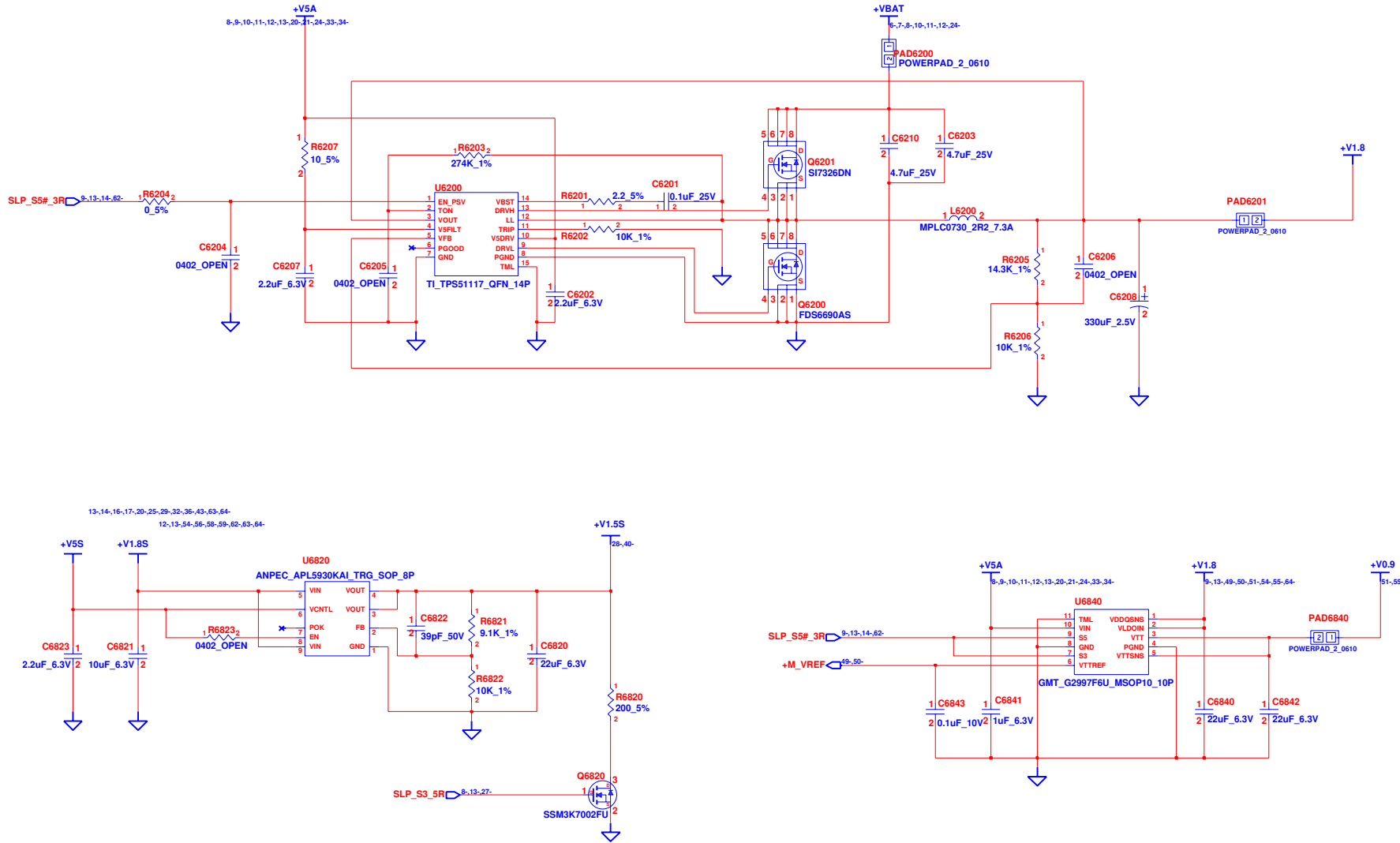
INVENTEC

TITLE
Rotterdam 10AR
 +V3LA, +V3A, +V5A, +V2.5S

SIZE	CODE	DOC NUMBER	REV
A3	CS	1310A22508-0-MTR	AX1

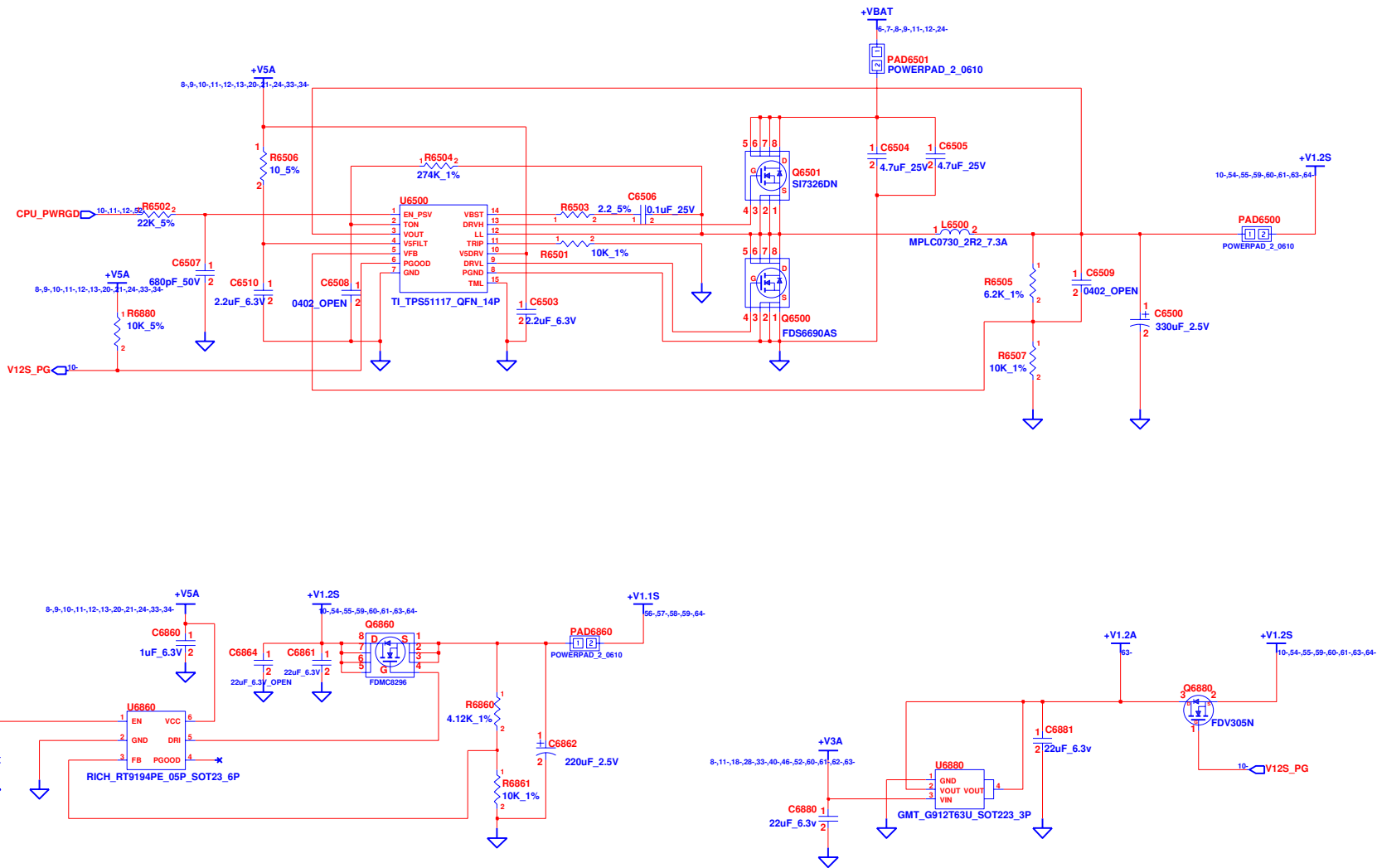
CHANGE by *Drawer Name* 16-Dec-2008

+V1.8 +V0.9 +V1.5S

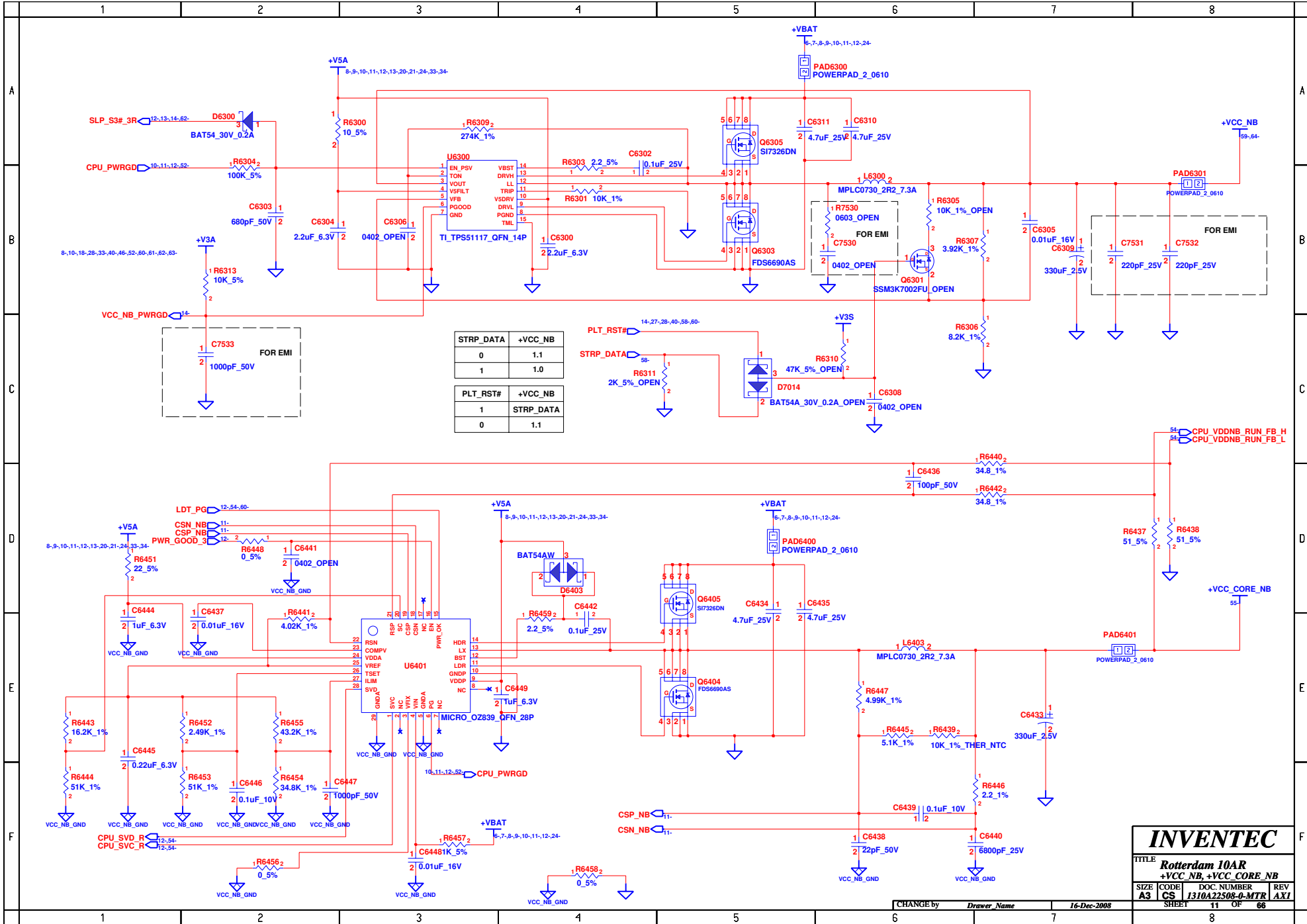


INVENTEC			
TITLE Rotterdam 10AR			
+V1.8, +V0.9, +V1.5S			
SIZE A3	CODE CS	DOC. NUMBER 1310A22508-0-MTR	REV AX1
CHANGE by <i>Drawer Name</i>		16-Dec-2008	
		SHEET	9 OF 86

+V1.2A +V1.2S +V1.1S



INVENTEC			
TITLE Rotterdam 10AR			
+V1.2A, +V1.1S			
SIZE A3	CODE CS	DOC NUMBER 1310A22508-0-MTR	REV AXI
CHANGE by <i>Drawer Name</i>		16-Dec-2008	
SHEET 10		OF 86	



STRP_DATA	+VCC_NB
0	1,1
1	1,0

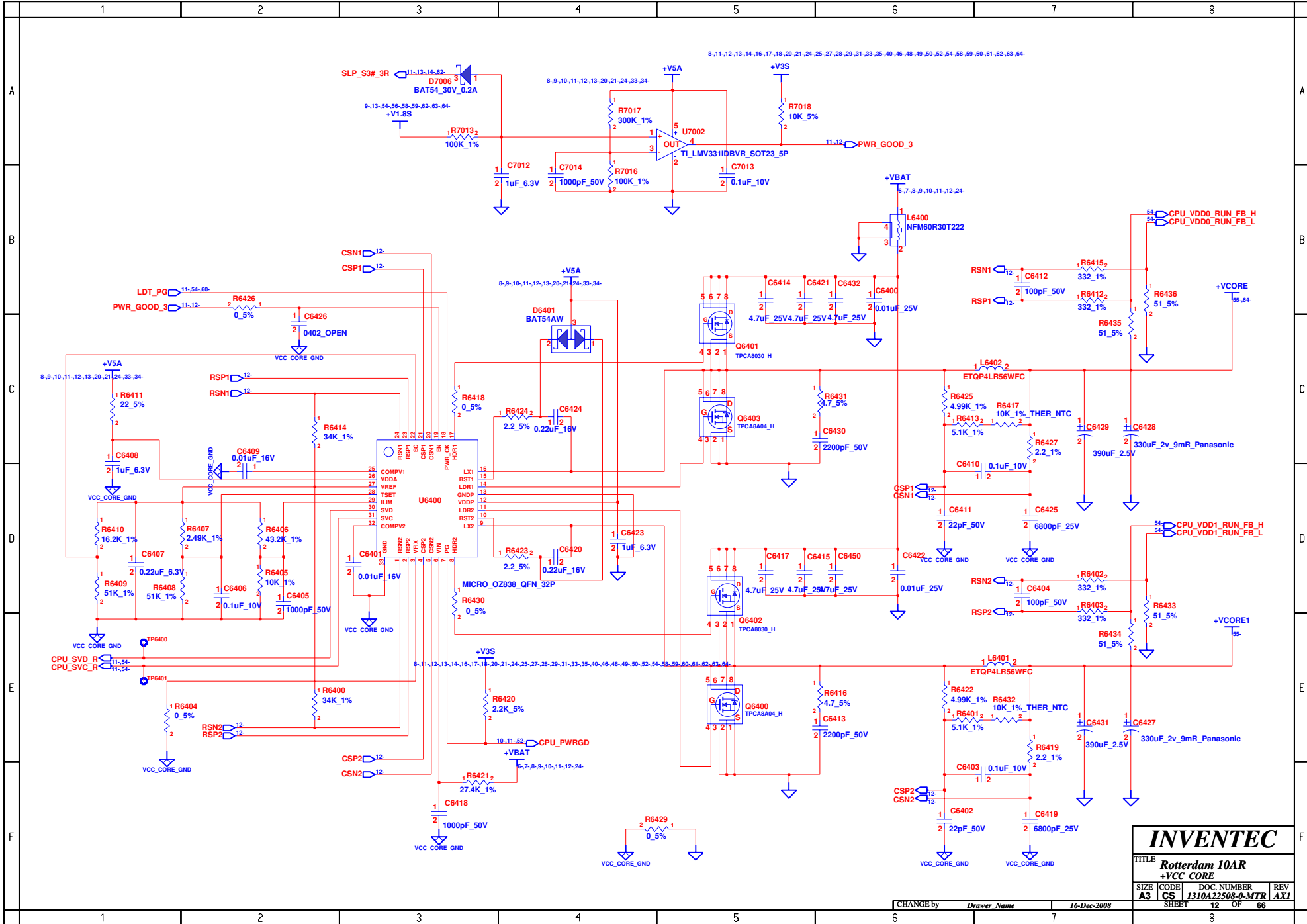
PLT_RST#	+VCC_NB
1	STRP_DATA
0	1,1

INVENTEC

TITLE
Rotterdam 10AR
 +VCC_NB, +VCC_CORE_NB

SIZE	CODE	DOC NUMBER	REV
A3	CS	1310A22508-0-MTR	AXI

SHEET 11 OF 86



INVENTEC

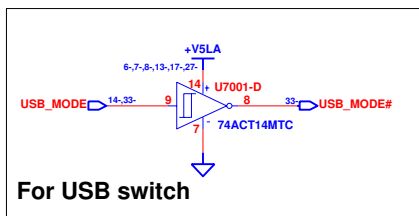
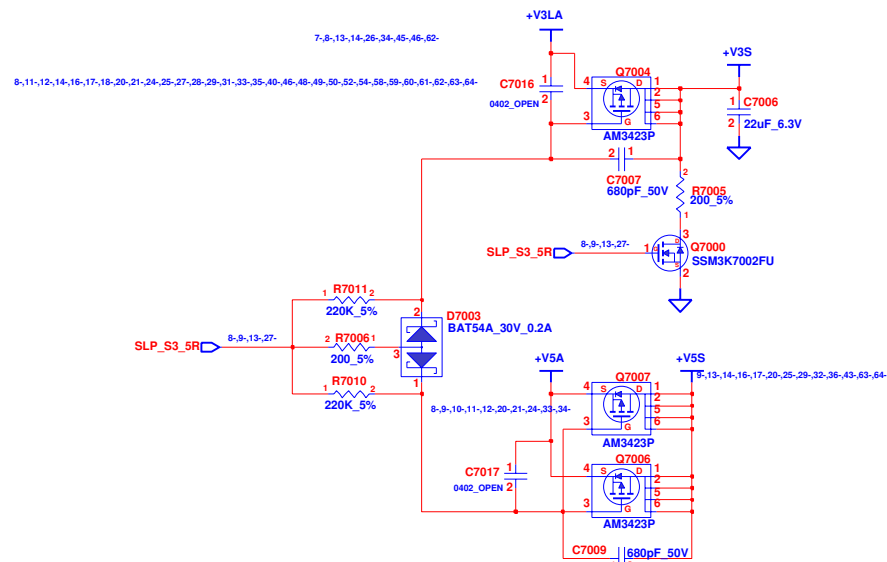
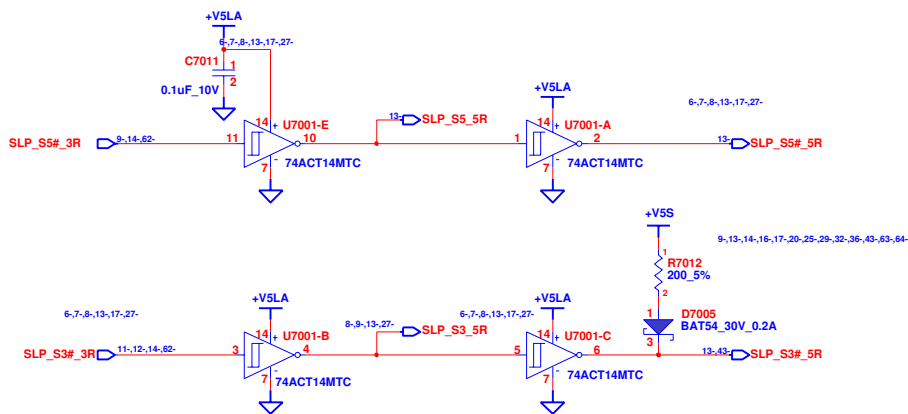
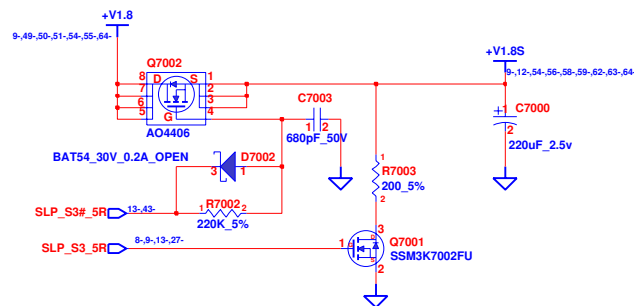
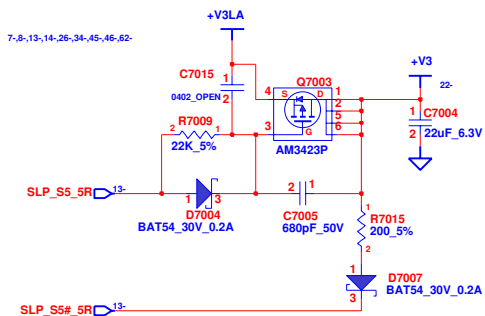
TITLE
Rotterdam 10AR
+VCC_CORE

SIZE	CODE	DOC NUMBER	REV
A3	CS	1310A22508-0-MTR	AX1

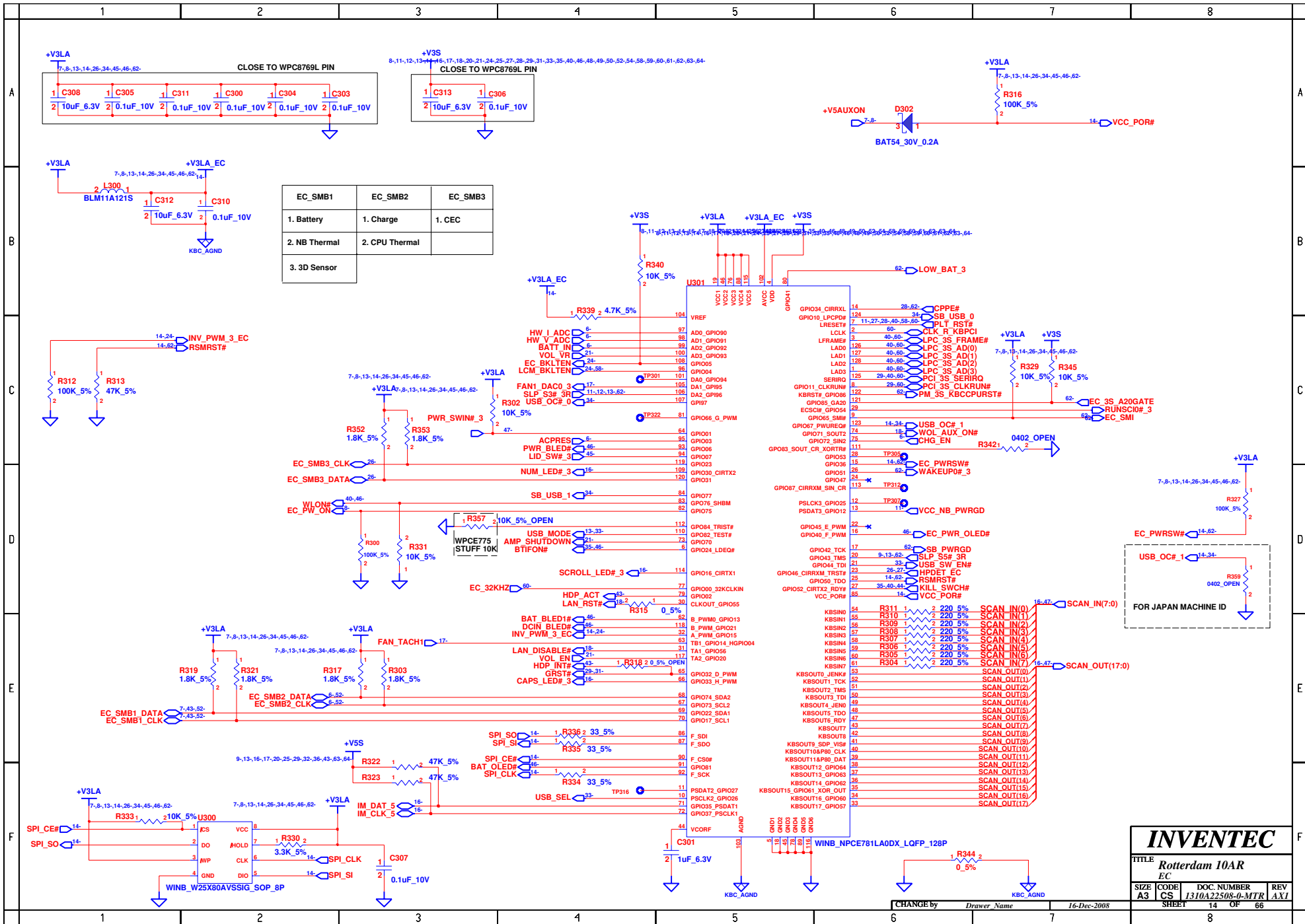
SHEET 12 OF 86

CHANGE by *Drawer Name* 16-Dec-2008

+V3 +V5S +V3S +V1.8S



INVENTEC			
TITLE Rotterdam 10AR			
+V3 +V5S +V3S +V1.8S +V1.2S			
SIZE A3	CODE CS	DOC NUMBER 1310A22508-0-MTR	REV AX1
CHANGE by <i>Drawer Name</i>		16-Dec-2008	
SHEET		13 OF 86	

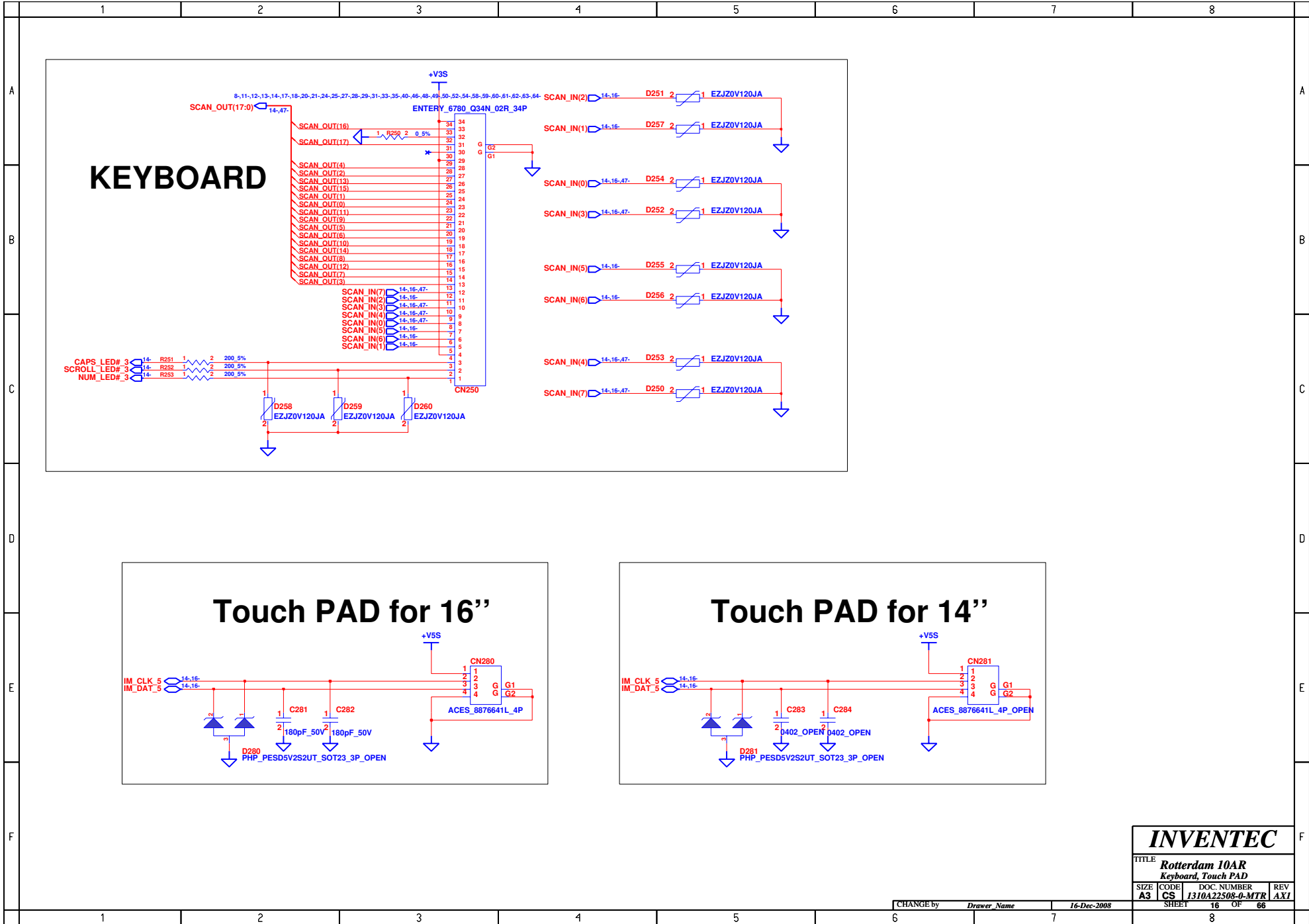


BLANK

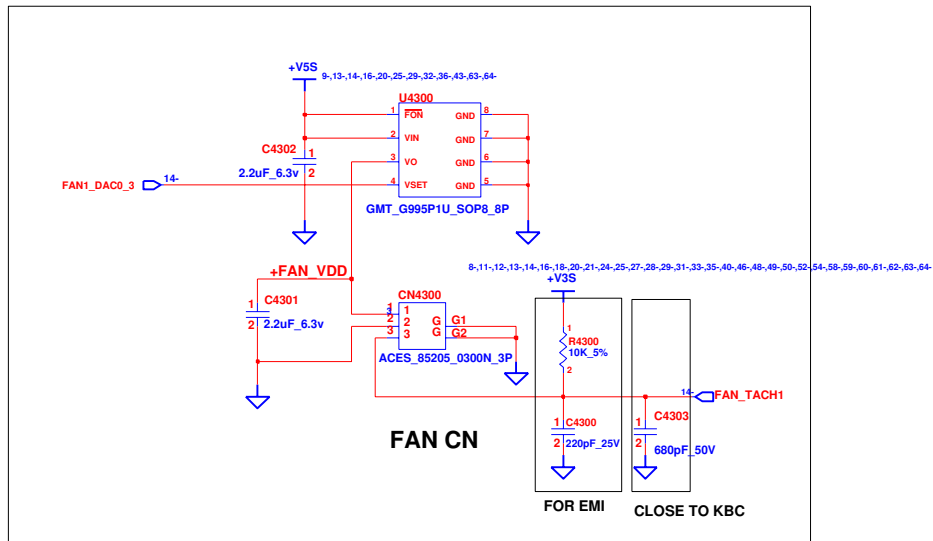
	1	2	3	4	5	6	7	8	
A									
B									
C									
D									
E									
F									
	1	2	3	4	5	6	7	8	

INVENTEC			
TITLE <i>Rotterdam 10AR</i>			
CIR			
SIZE	CODE	DOC. NUMBER	REV
A3	CS	1310A22508-0-MTR	AXI
SHEET		15	OF 66

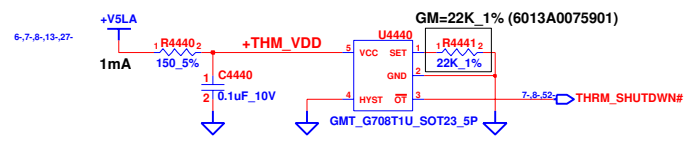
CHANGE by *Drawer Name* 16-Dec-2008



INVENTEC			
TITLE Rotterdam 10AR Keyboard, Touch PAD			
SIZE A3	CODE CS	DOC. NUMBER 1310A22508-0-MTR	REV AXI
CHANGE by <i>Drawer Name</i>		16-Dec-2008	
SHEET 16		OF 86	

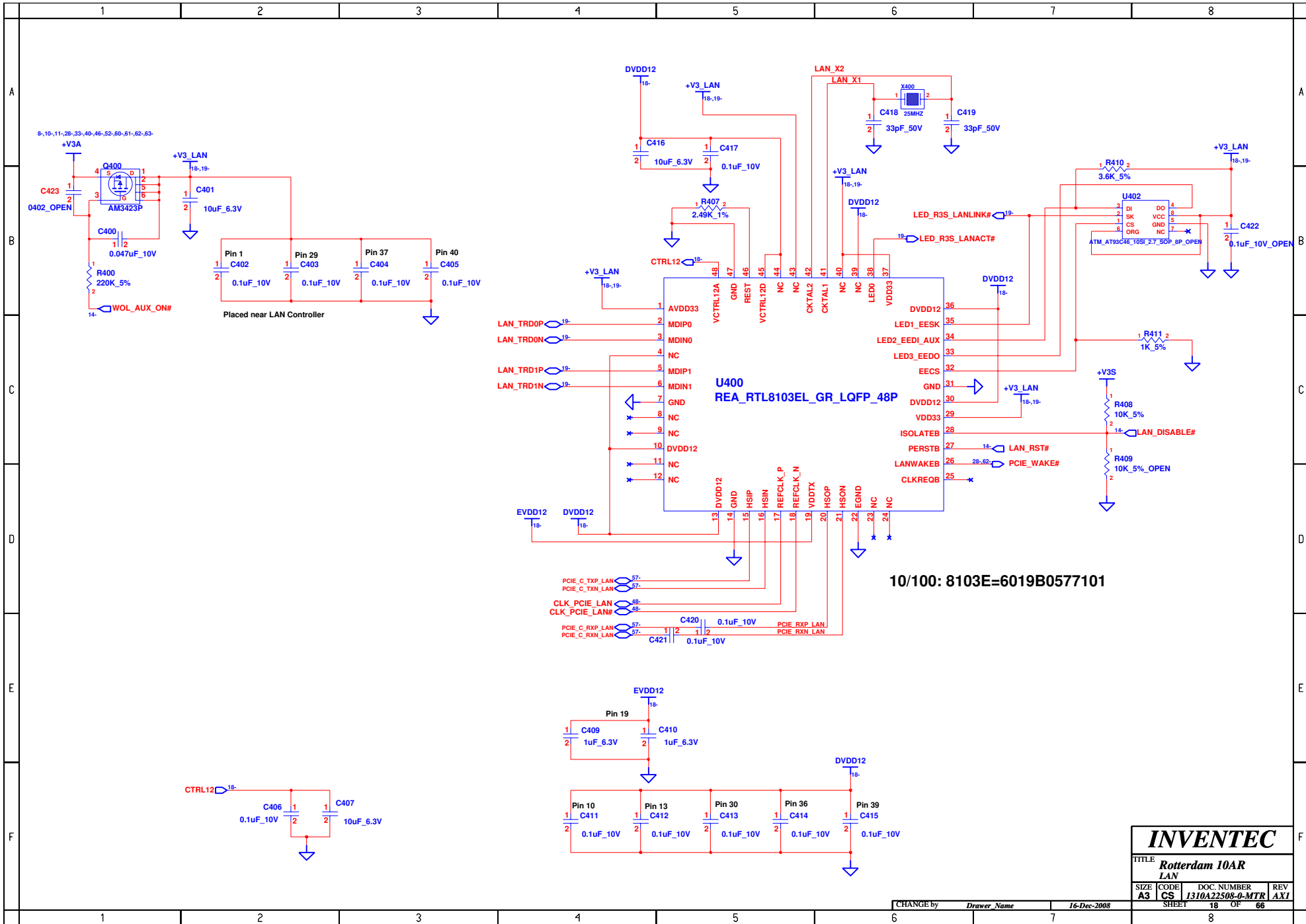


Board Thermal Sensor



Thermal shutdown at 90°C +/-3°C from 60°C to 100°C
 $RSET=0.0012 \cdot T^2 - 0.9308 \cdot T + 96.147$
 Hysteresis is 30C

INVENTEC			
TITLE Rotterdam 10AR FAN, Thermal controller			
SIZE A3	CODE CS	DOC. NUMBER 1310A22508-0-MTR	REV AX1
CHANGE by <i>Drawer Name</i>		16-Dec-2008	
SHEET 17		OF 86	



INVENTEC			
TITLE Rotterdam 10AR			
LAN			
SIZE A3	CODE CS	DOC. NUMBER 1310A22508-0-MTR	REV AX1
CHANGE by <i>Drawer Name</i>		16-Dec-2008	
SHEET 18		OF 86	

A

B

C

D

E

F

A

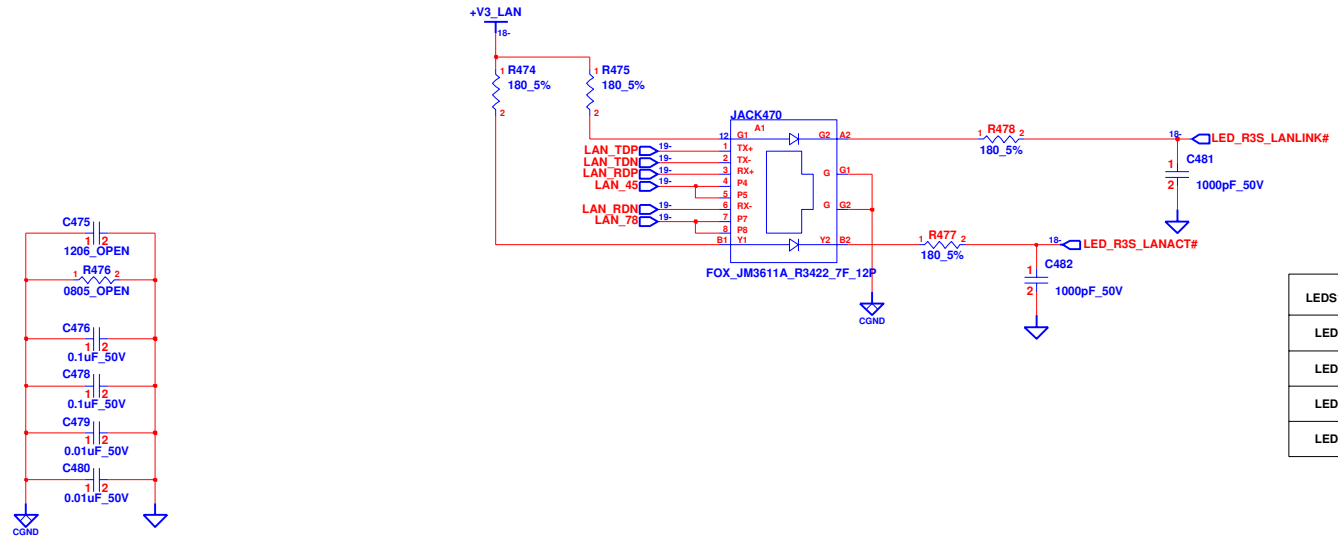
B

C

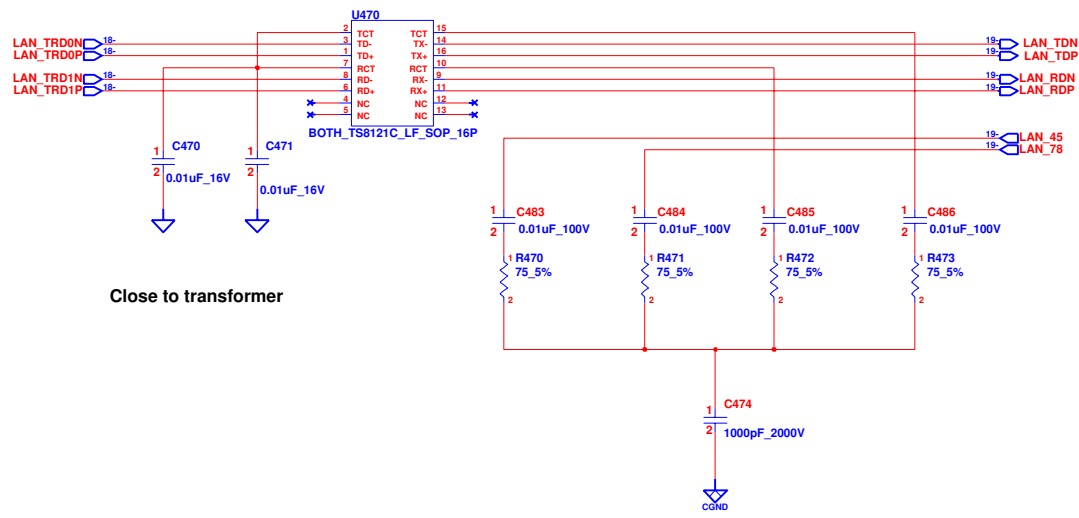
D

E

F



LEDS1-0	00	* 01	10	11
LED0	Tx/Rx	Tx/Rx	Tx	LINK10 ACT
LED1	LINK100	LINK 10/100/1000	LINK	LINK100 ACT
LED2	LINK10	LINK10/100	Rx	ULL
LED3	LINK1000	LINK1000	ULL	LINK1000 ACT



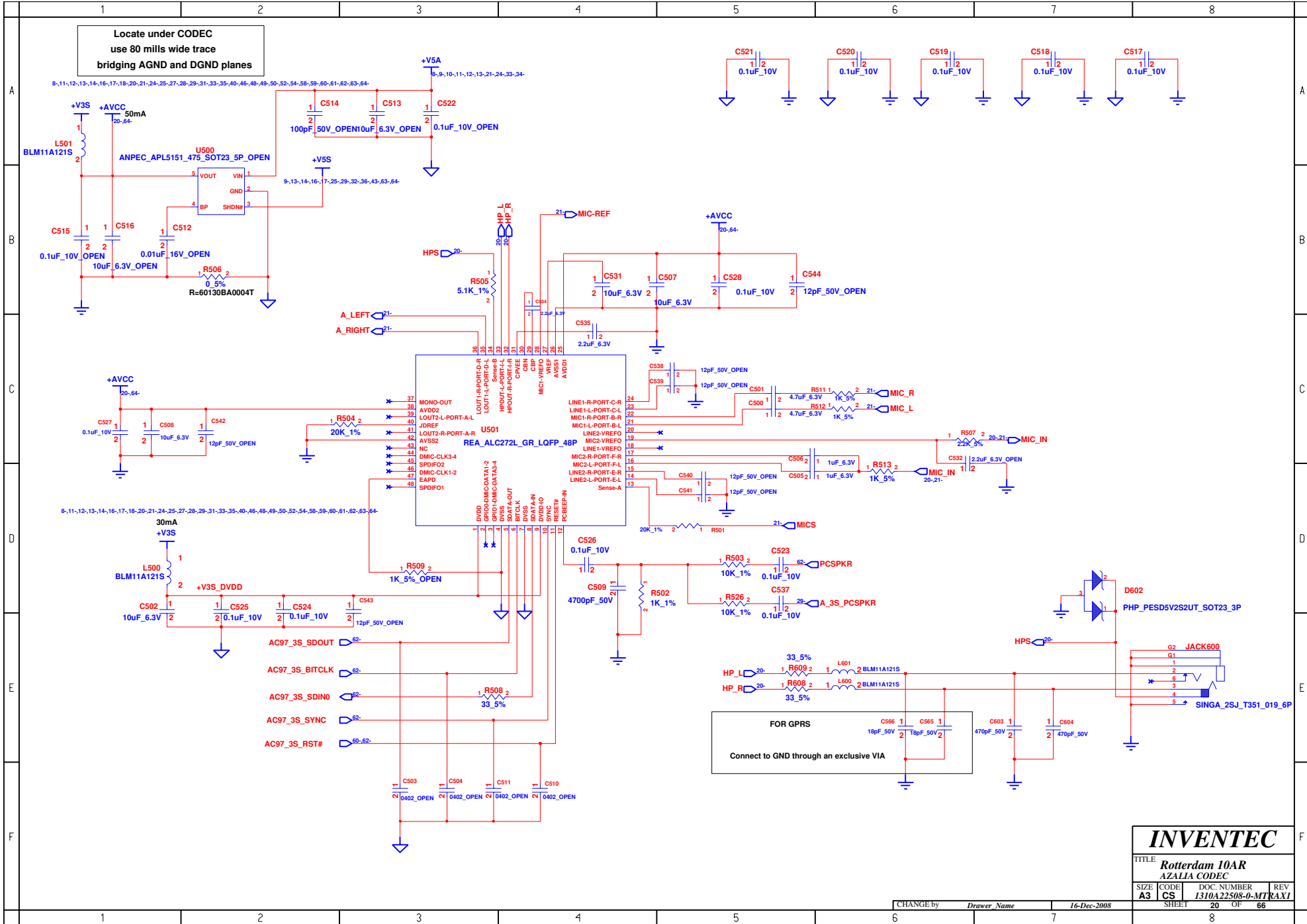
Close to transformer

INVENTEC

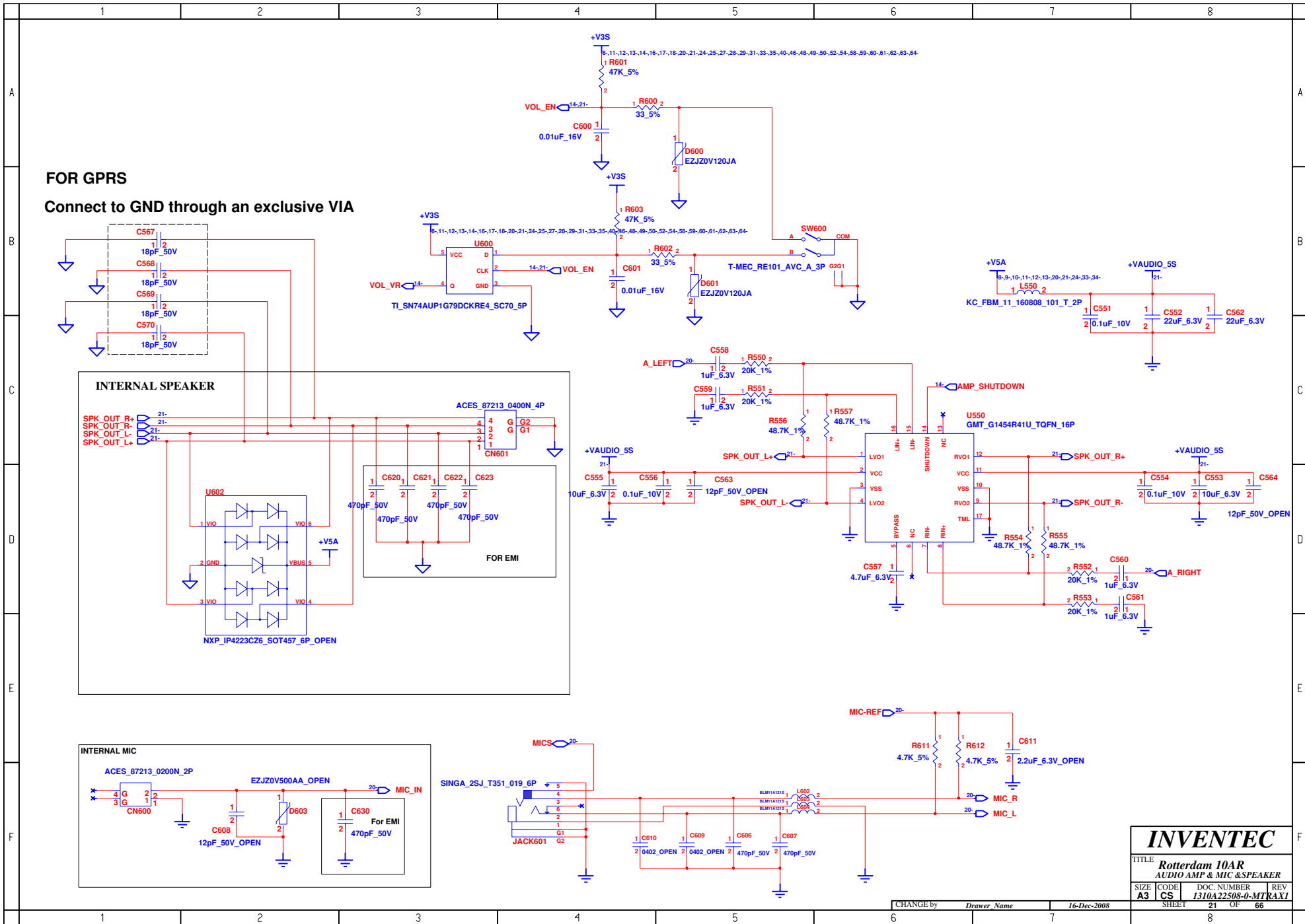
TITLE
Rotterdam 10AR
Transformer, RJ45

SIZE A3	CODE CS	DOC. NUMBER 1310A22508-0-MTR	REV AXI
-------------------	-------------------	--	-------------------

SHEET 19 OF 86



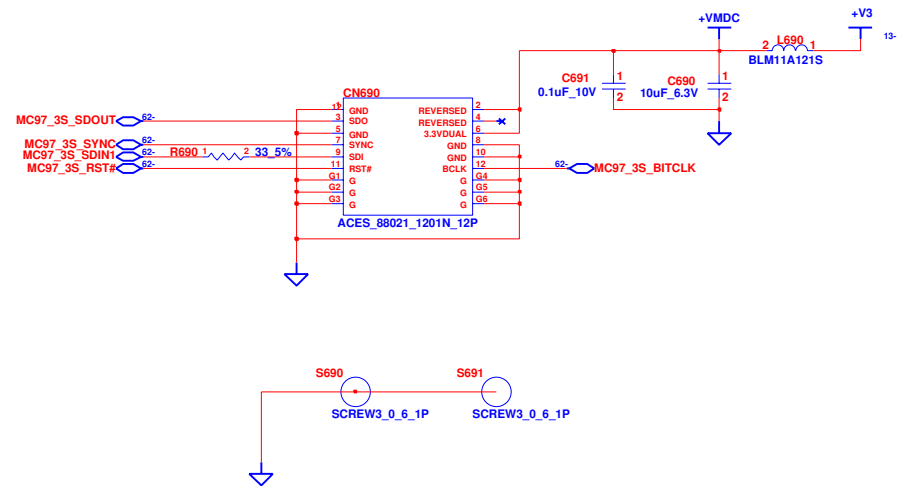
INVENTEC			
TITLE Rotterdam 10AR AZALIA CODEC			
SIZE A3	CODE CS	DOC. NUMBER 1310A22508-0-MTRAX1	REV 1
CHANGE by <i>Drawer Name</i>		16-Dec-2008	
SHEET 20		OF 86	



INVENTEC			
TITLE: Rotterdam 10AR			
AUDIO AMP & MIC & SPEAKER			
SIZE	CODE	DOC NUMBER	REV
A3	CS	1310A22508-0-MT	RAX1
SHEET		21	OF 86

CHANGE by *Drawer Name* 16-Dec-2008

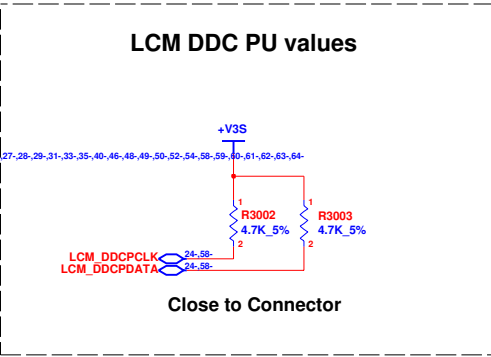
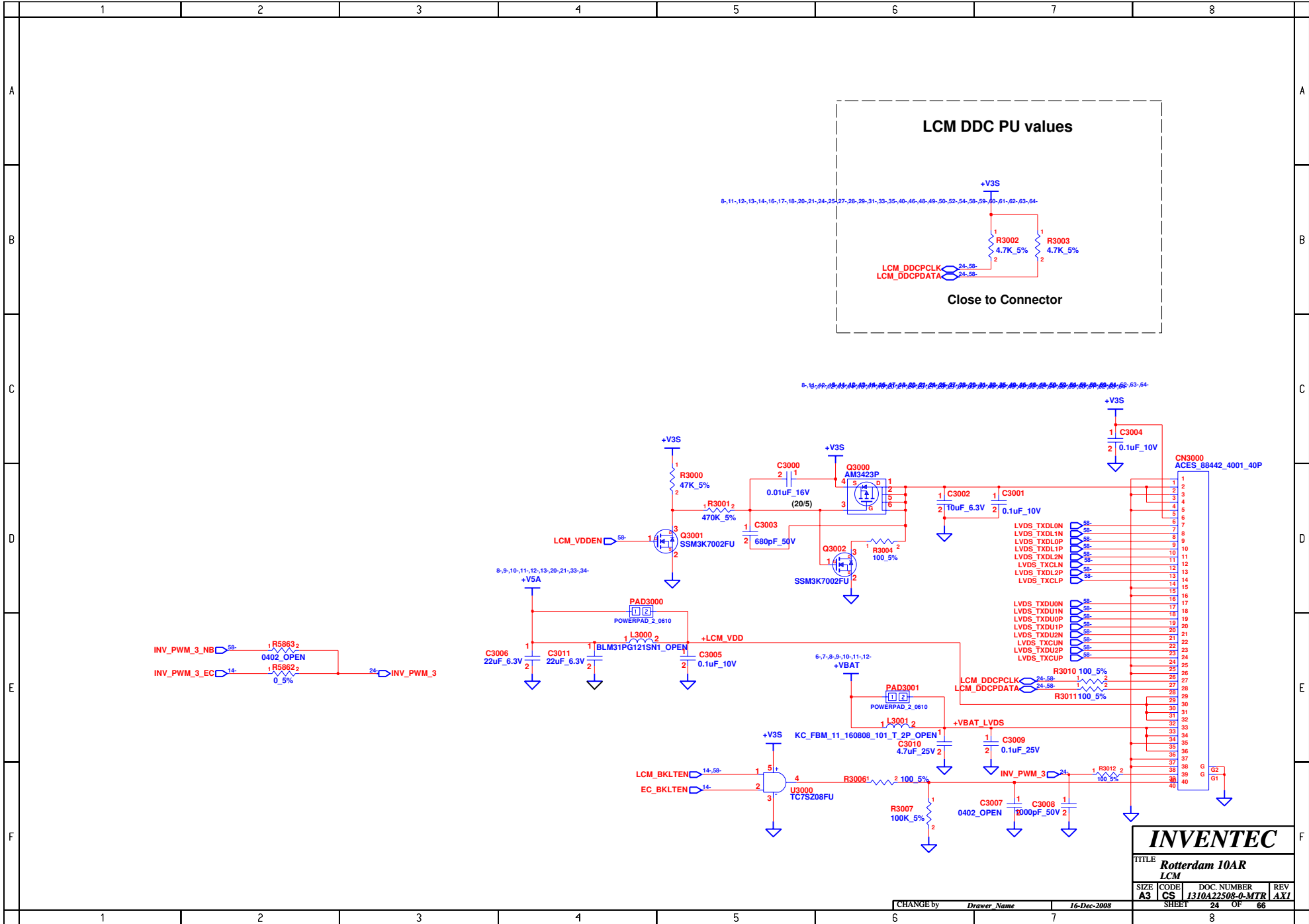
MDC



INVENTEC			
TITLE Rotterdam 10AR			
MDC			
SIZE A3	CODE CS	DOC. NUMBER 1310A22508-0-MTR	REV AX1
CHANGE by <i>Drawer Name</i>		16-Dec-2008	
SHEET		22	OF 66

BLANK

INVENTEC			
TITLE Rotterdam 10AR DISPLAY PORT			
SIZE A3	CODE CS	DOC. NUMBER 1310A22508-0-MTR	REV AXI
CHANGE by <i>Drawer Name</i>		16-Dec-2008	
SHEET		23	OF 66



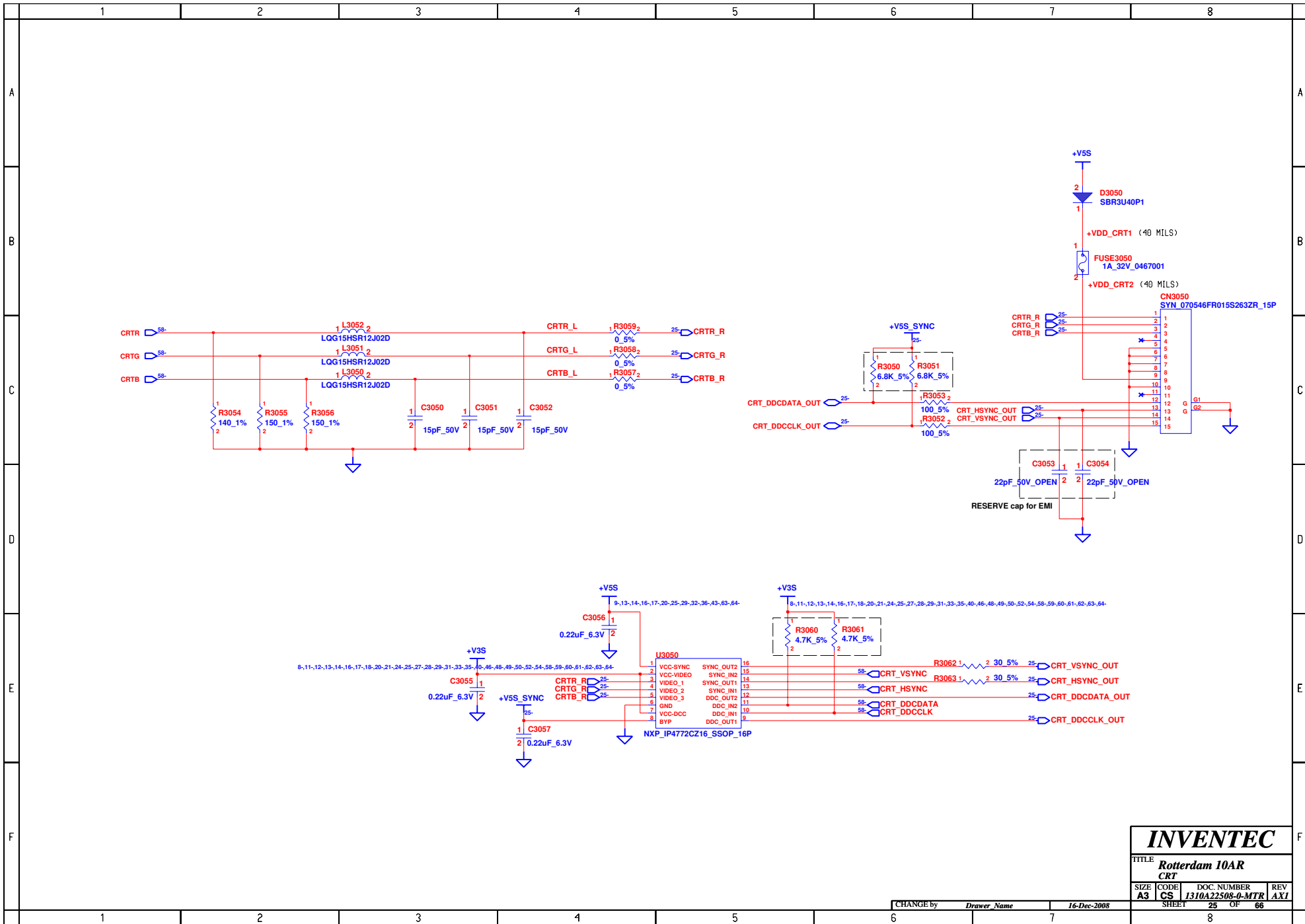
INVENTEC

TITLE
**Rotterdam 10AR
LCM**

SIZE	CODE	DOC. NUMBER	REV
A3	CS	1310A22508-0-MTR	AX1

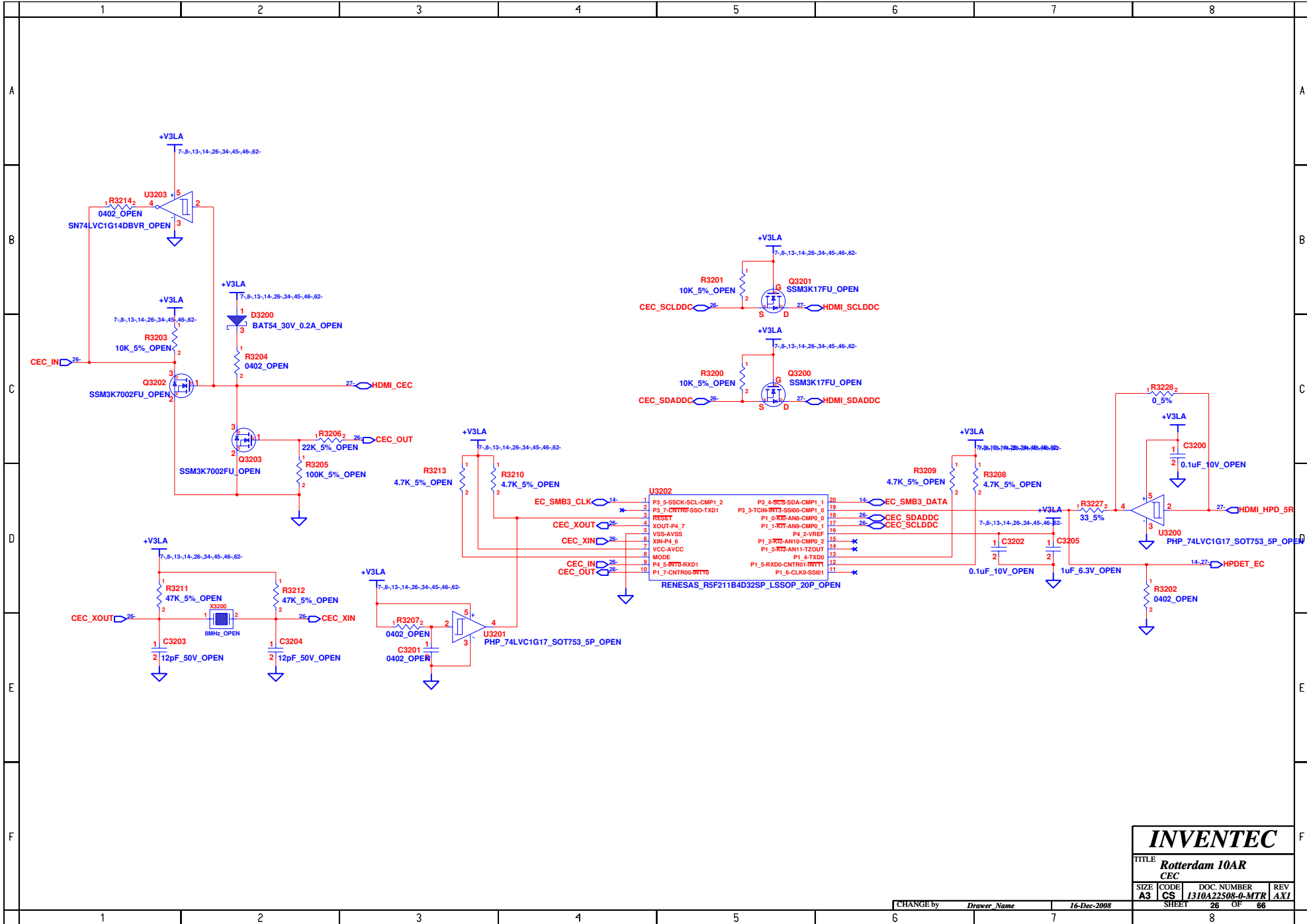
CHANGE by *Drawer Name* 16-Dec-2008

SHEET 24 OF 86

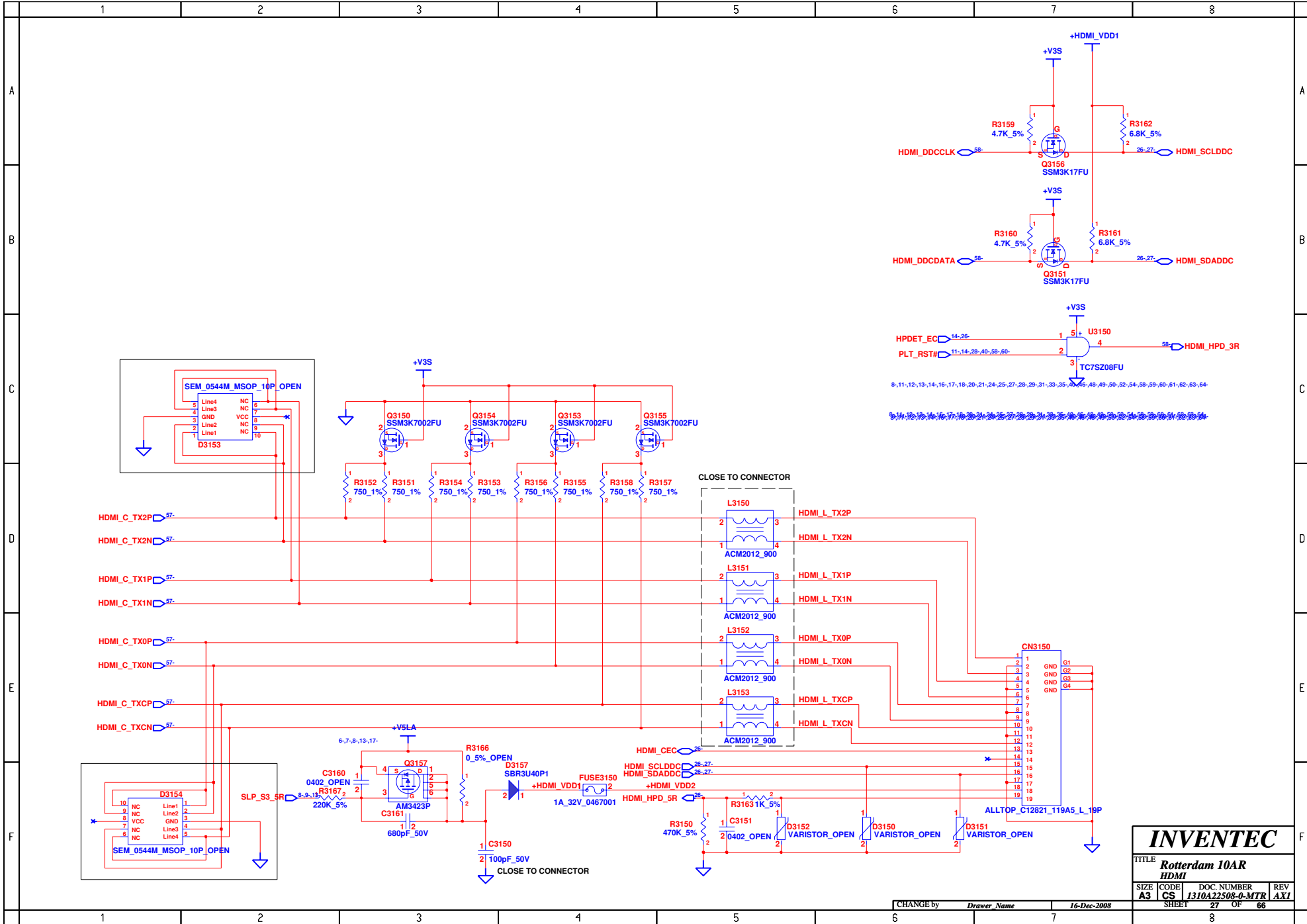


INVENTEC			
TITLE Rotterdam 10AR			
CRT			
SIZE A3	CODE CS	DOC. NUMBER 1310A22508-0-MTR	REV AXI
SHEET		25	OF 86

CHANGE by *Drawer Name* 16-Dec-2008



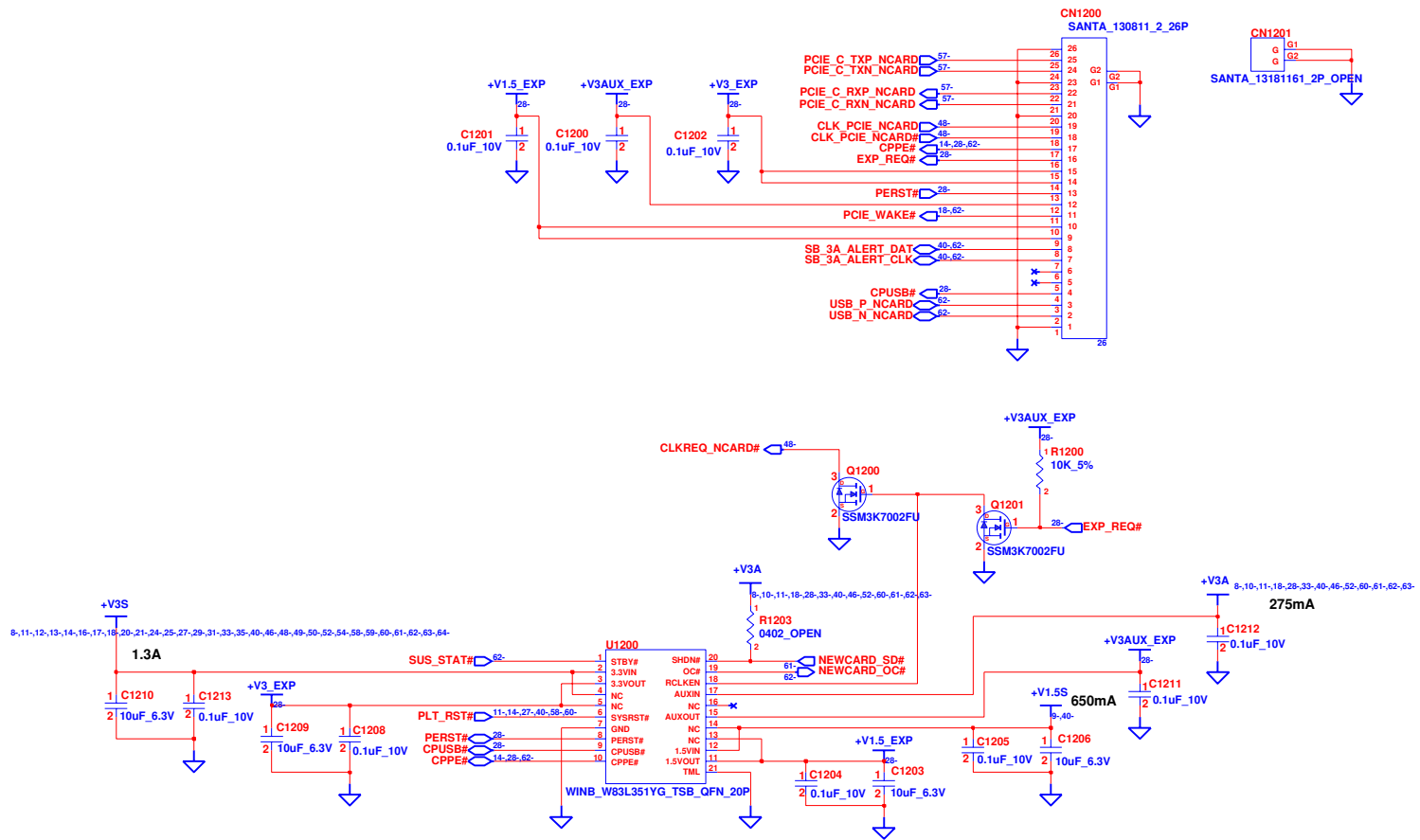
INVENTEC			
TITLE Rotterdam 10AR			
CEC			
SIZE A3	CODE CS	DOC. NUMBER 1310A22508-0-MTR	REV AX1
CHANGE by <i>Drawer Name</i>		16-Dec-2008	
SHEET 26		OF 86	



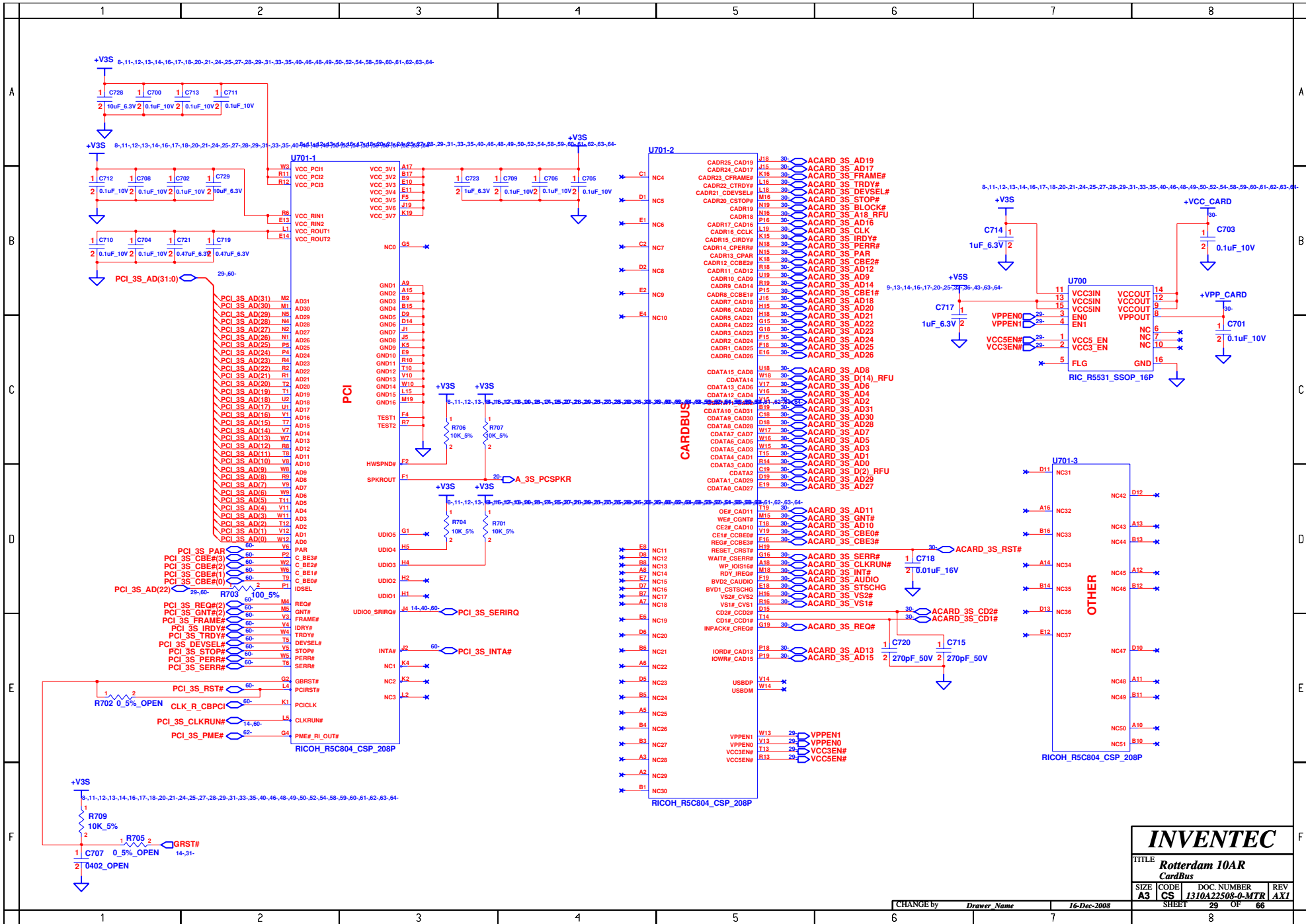
INVENTEC			
TITLE Rotterdam 10AR HDMI			
SIZE A3	CODE CS	DOC. NUMBER 1310A22508-0-MTR	REV AXI
SHEET 27		OF 86	

CHANGE by *Drawer Name* 16-Dec-2008

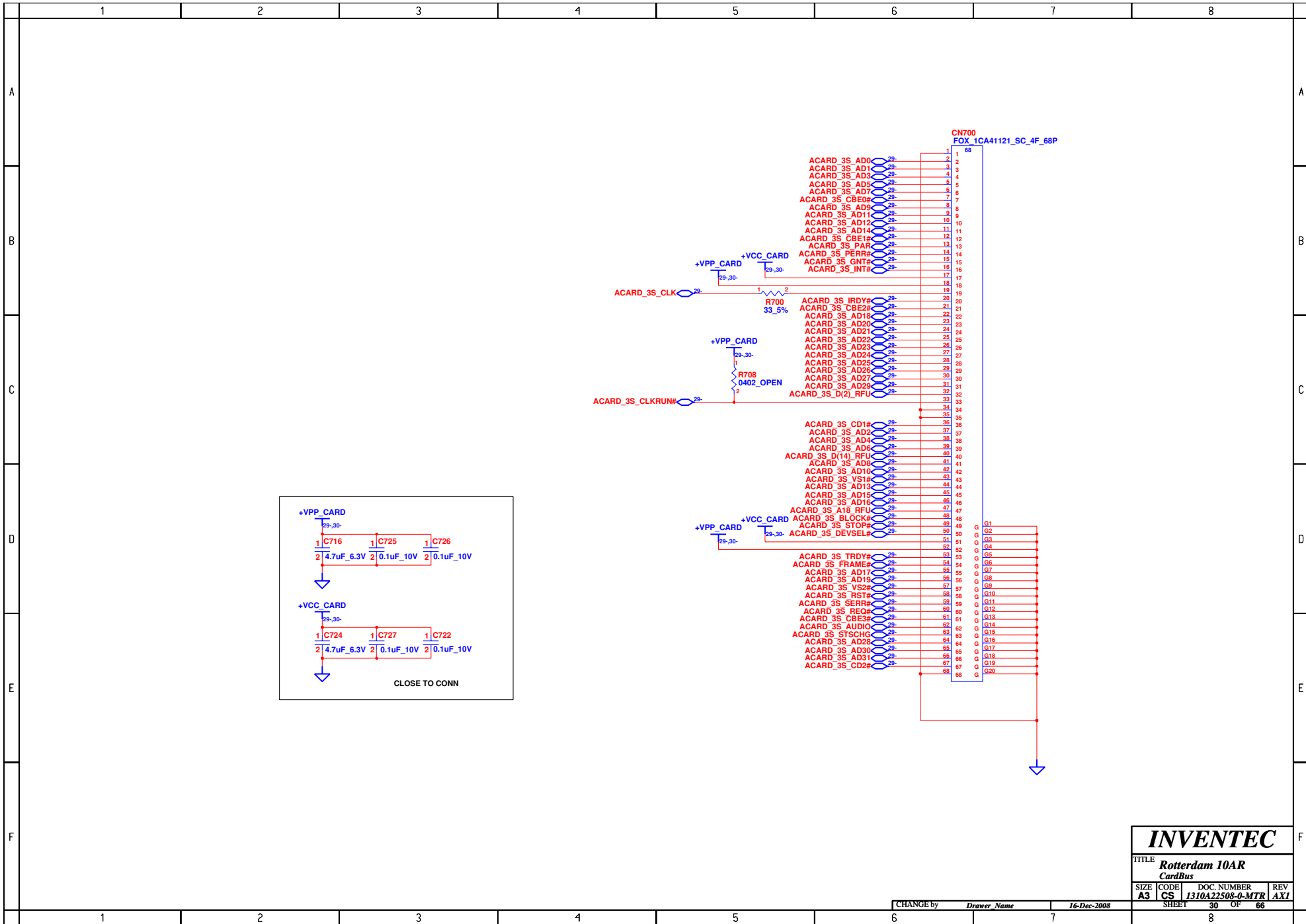
NEW CARD



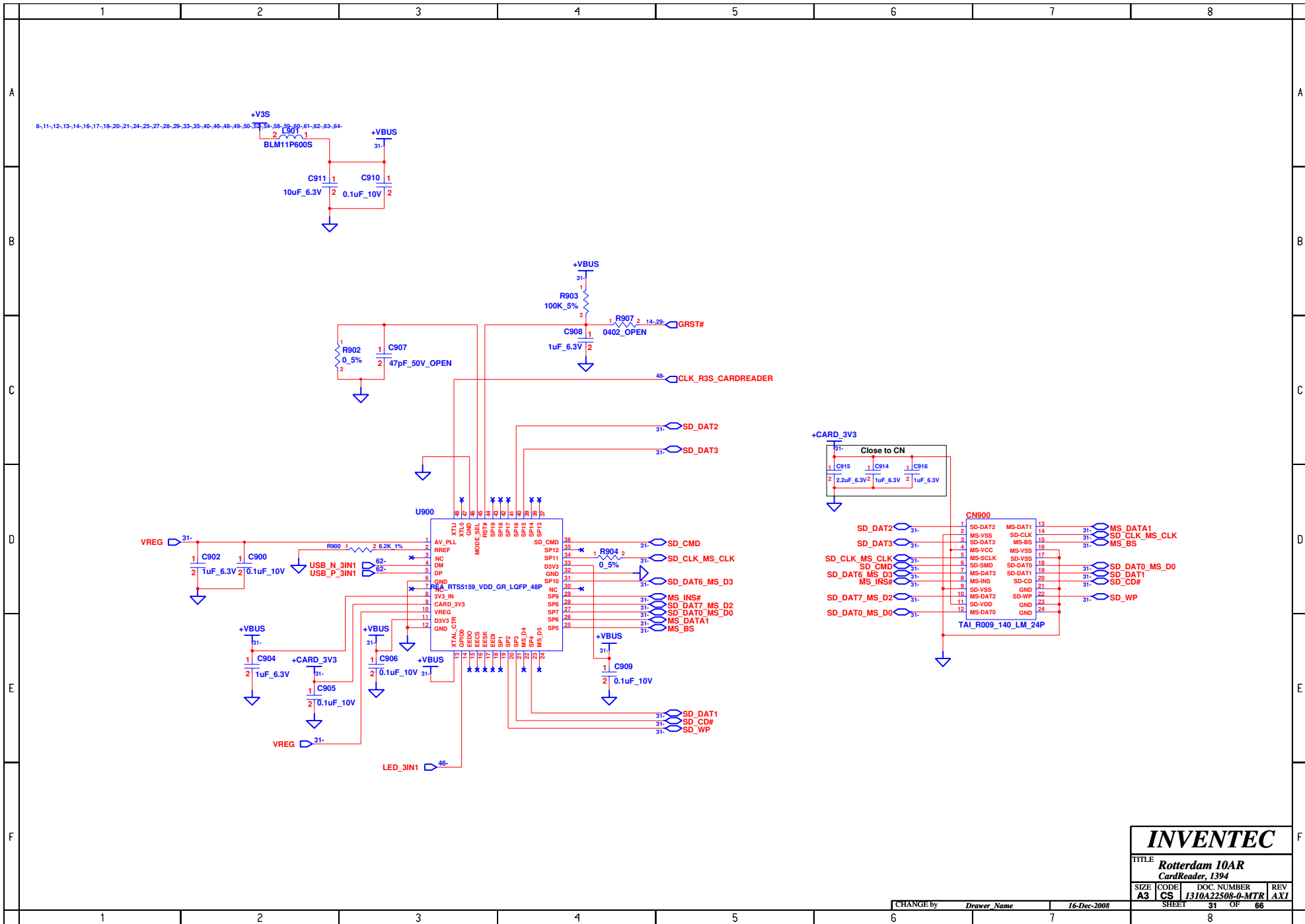
INVENTEC			
TITLE Rotterdam 10AR Express Card			
SIZE A3	CODE CS	DOC. NUMBER 1310A22508-0-MTR	REV AX1
CHANGE by <i>Drawer Name</i>		16-Dec-2008	
SHEET 28		OF 86	



INVENTEC			
TITLE Rotterdam 10AR			
CardBus			
SIZE	CODE	DOC. NUMBER	REV
A3	CS	1310A22508-0-MTR	AX1
CHANGE by		Drawer Name	16-Dec-2008
SHEET		29	OF 86



INVENTEC			
TITLE Rotterdam 10AR			
CardBus			
SIZE A3	CODE CS	DOC. NUMBER 1310A22508-0-MTR	REV AX1
CHANGE by <i>Drawer Name</i>		16-Dec-2008	SHEET 30 OF 86



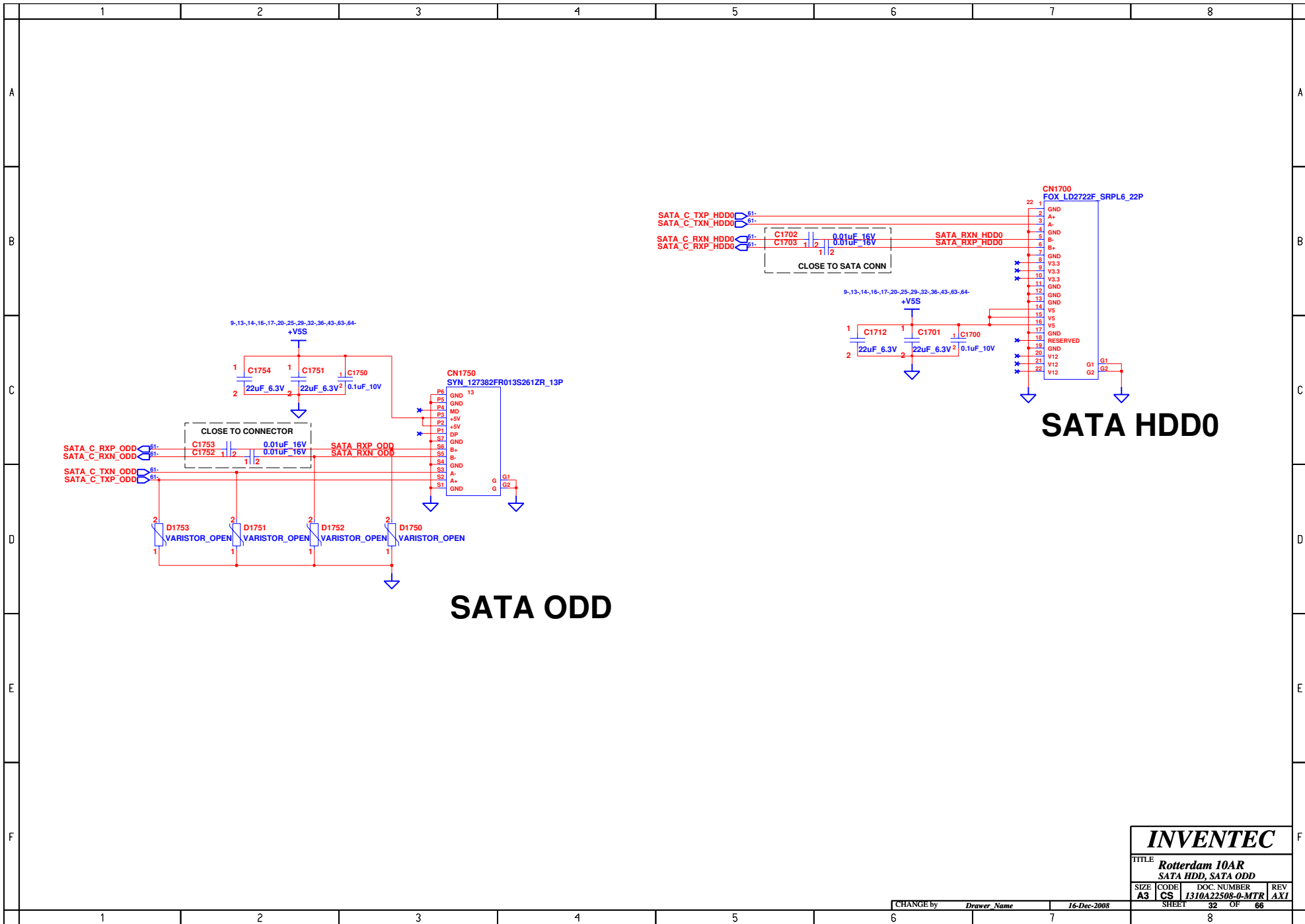
INVENTEC

TITLE
Rotterdam 10AR
 CardReader, 1394

SIZE A3	CODE CS	DOC. NUMBER 1310A22508-0-MTR	REV AXI
-------------------	-------------------	--	-------------------

CHANGE by *Drawer Name* 16-Dec-2008

SHEET 31 OF 86

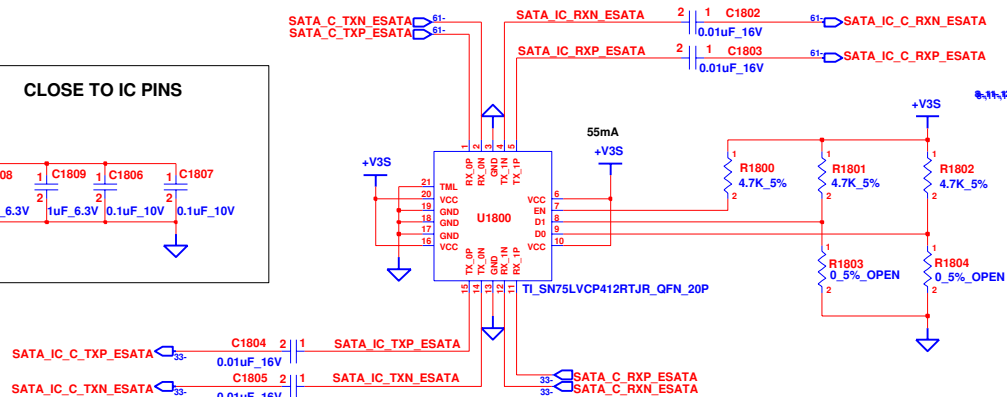
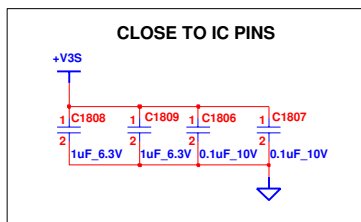


INVENTEC

TITLE			
Rotterdam 10AR			
SATA HDD, SATA ODD			
SIZE	CODE	DOC. NUMBER	REV
A3	CS	1310A22508-0-MTR	AX1
SHEET		32	OF 86

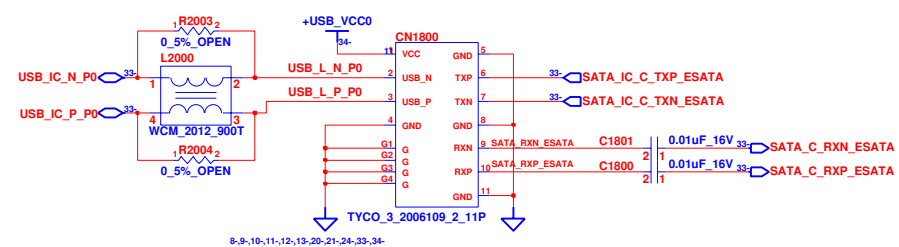
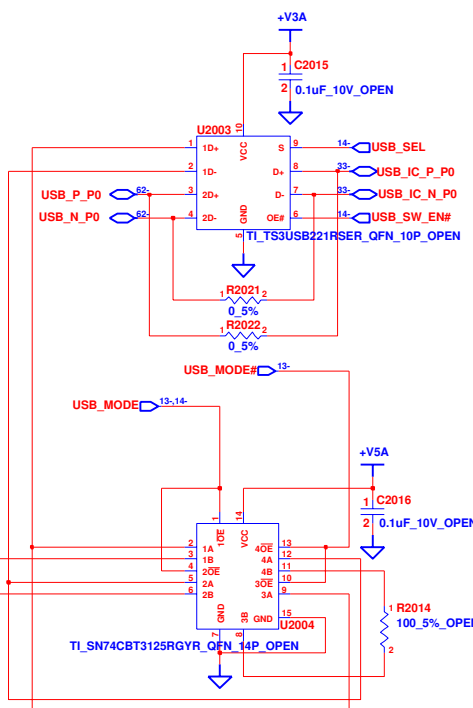
CHANGE by *Drawer Name* 16-Dec-2008

E-SATA



EN	D0	D1	FUNCTION
0	X	X	STANDBY
1	0	0	DEFAULT
1	1	0	CH0->5DB
1	0	1	CH1->5DB
1	1	1	CH0,1->5DB

USB SIGNAL SWITCH
 Within 40~50 mm of SB
 Within 150mm of connector

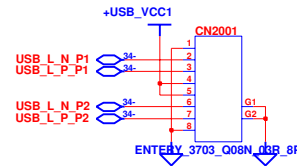
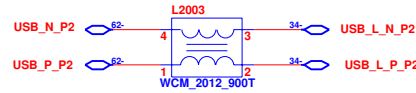
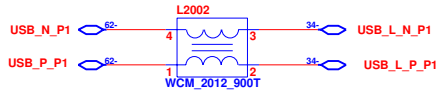
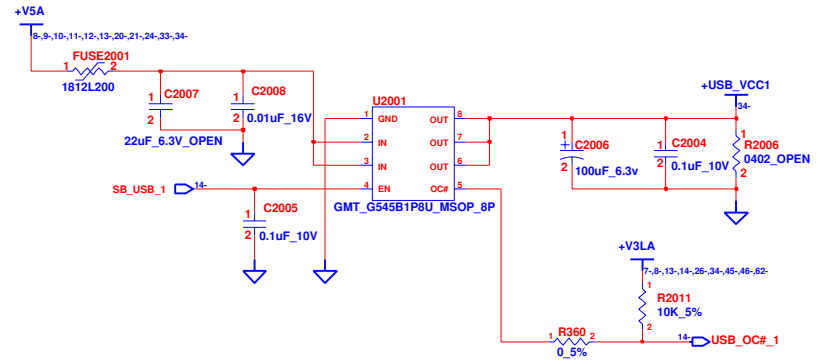
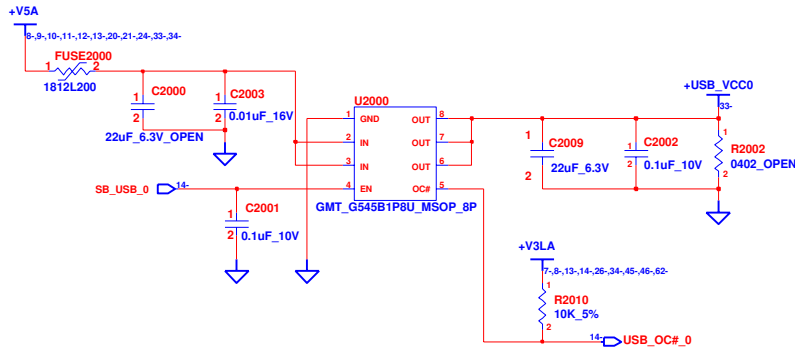


INVENTEC

TITLE
Rotterdam 10AR
 e-SATA

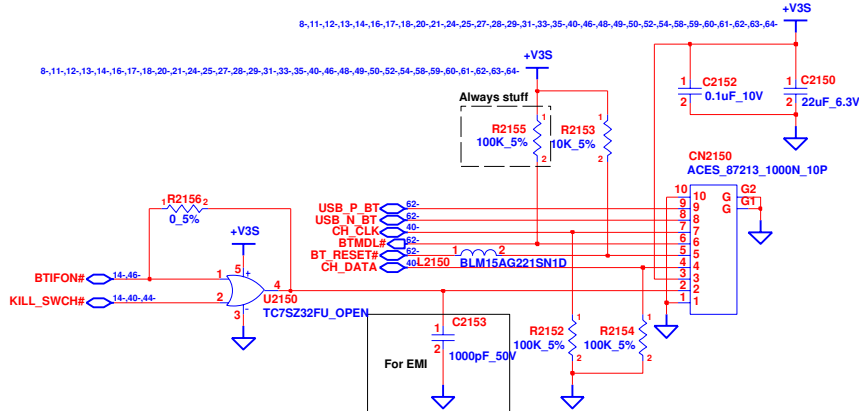
SIZE A3	CODE CS	DOC. NUMBER 1310A22508-0-MTR	REV AX1
SHEET 33		OF 86	

USB



INVENTEC			
TITLE Rotterdam 10AR			
USB			
SIZE A3	CODE CS	DOC. NUMBER 1310A22508-0-MTR	REV AXI
CHANGE by <i>Drawer Name</i>		16-Dec-2008	
SHEET		34 OF 86	

BLUEBOOTH



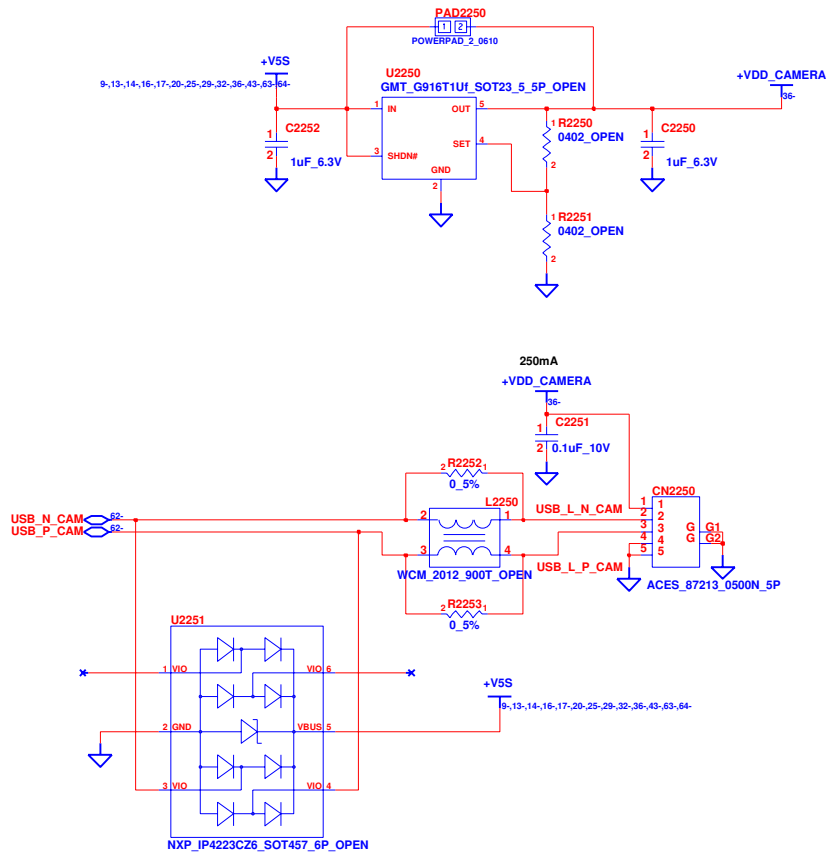
INVENTEC

TITLE
Rotterdam 10AR
BlueTooth

SIZE A3	CODE CS	DOC. NUMBER 1310A22508-0-MTR	REV AXI
SHEET		35 OF	86

CHANGE by *Drawer Name* 16-Dec-2008

WEBCAM



INVENTEC			
TITLE Rotterdam 10AR Camera			
SIZE A3	CODE CS	DOC. NUMBER 1310A22508-0-MTR	REV AXI
CHANGE by <i>Drawer Name</i>		16-Dec-2008	SHEET 36 OF 66

BLANK

	1	2	3	4	5	6	7	8	
A	BLANK								A
B									B
C									C
D									D
E									E
F									F
	1	2	3	4	5	6	7	8	

INVENTEC			
TITLE Rotterdam 10AR			
Finger Print			
SIZE	CODE	DOC. NUMBER	REV
A3	CS	1310A22508-0-MTR	AXI
SHEET		37	OF 66

CHANGE by *Drawer Name* 16-Dec-2008

BLANK

	1	2	3	4	5	6	7	8	
A									
B									
C									
D									
E									
F									
	1	2	3	4	5	6	7	8	

INVENTEC			
TITLE Rotterdam 10AR			
FELICA			
SIZE	CODE	DOC. NUMBER	REV
A3	CS	1310A22508-0-MTR	AXI
SHEET		38	OF 66

CHANGE by *Drawer Name* 16-Dec-2008

BLANK

INVENTEC			
TITLE Rotterdam 10AR			
FM tuner			
SIZE	CODE	DOC. NUMBER	REV
A3	CS	1310A22508-0-MTR	AXI
SHEET		39	OF 66

CHANGE by *Drawer Name* 16-Dec-2008

1

2

3

4

5

6

7

8

A

B

C

D

E

F

A

B

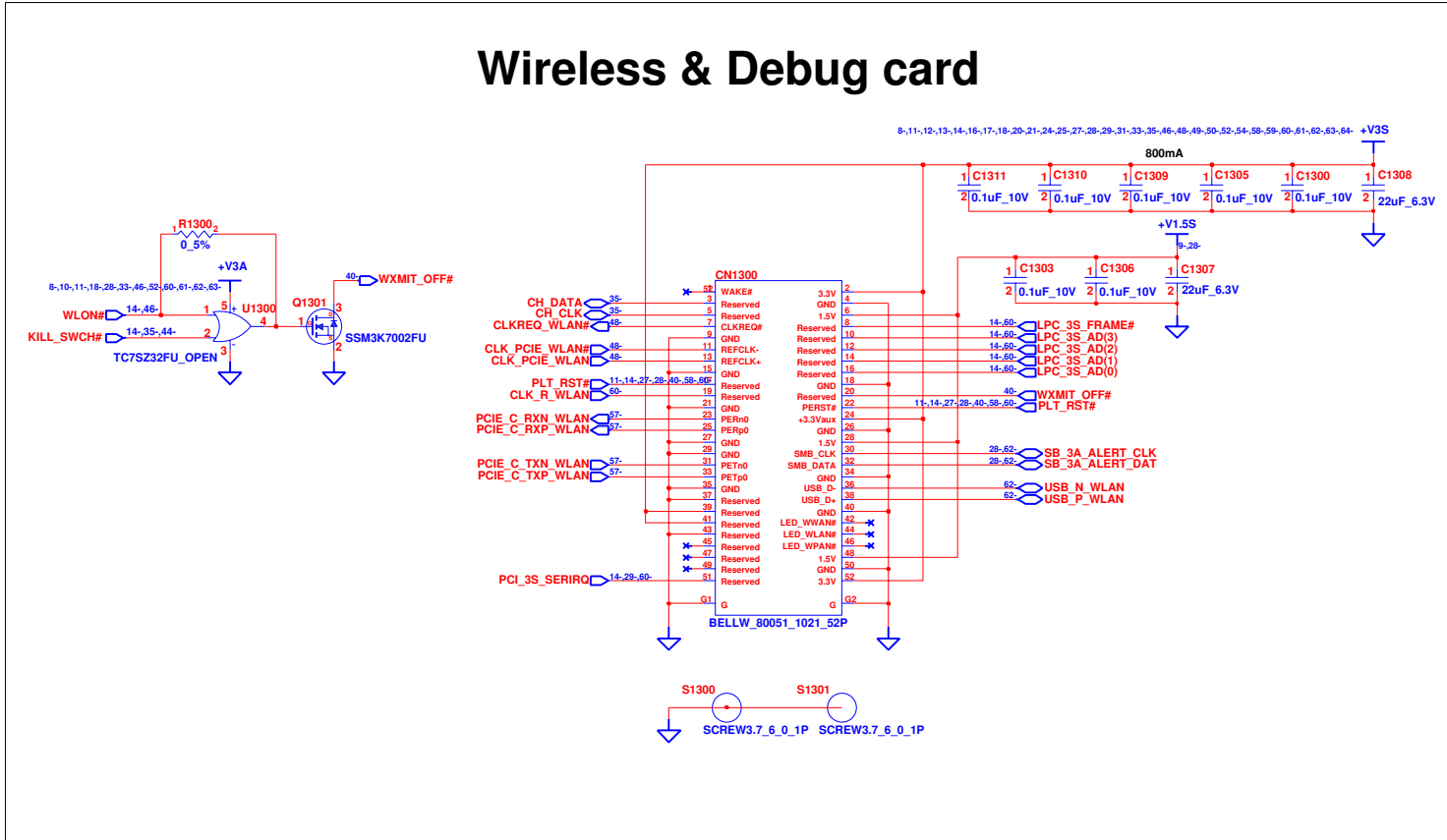
C

D

E

F

Wireless & Debug card



INVENTEC			
TITLE Rotterdam 10AR			
WLAN			
SIZE	CODE	DOC. NUMBER	REV
A3	CS	1310A22508-0-MTR	AXI
CHANGE by		Drawer Name	16-Dec-2008
SHEET		40	OF 86

1	2	3	4	5	6	7	8
A							A
B							B
C							C
D							D
E							E
F							F
1	2	3	4	5	6	7	8

BLANK

	1	2	3	4	5	6	7	8	
A									A
B									B
C									C
D									D
E									E
F									F
	1	2	3	4	5	6	7	8	

INVENTEC			
TITLE Rotterdam 10AR			
3G			
SIZE	CODE	DOC. NUMBER	REV
A3	CS	1310A22508-0-MTR	AX1
SHEET		41	OF 66

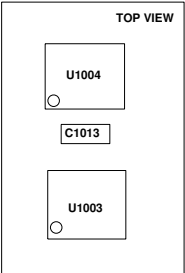
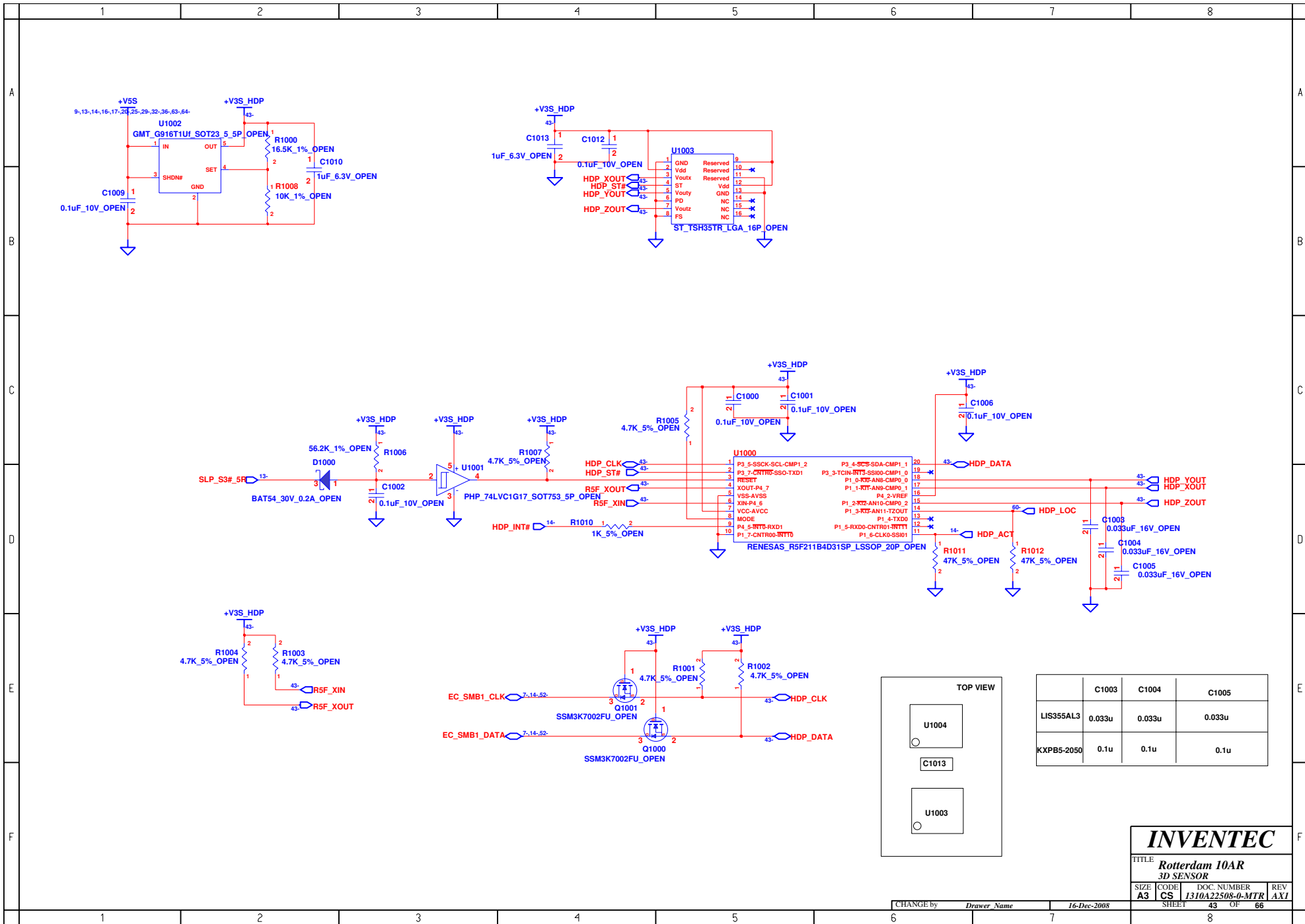
CHANGE by *Drawer Name* 16-Dec-2008

BLANK

	1	2	3	4	5	6	7	8	
A									
B									
C									
D									
E									
F									
	1	2	3	4	5	6	7	8	

INVENTEC			
TITLE Rotterdam 10AR			
WUSB			
SIZE	CODE	DOC. NUMBER	REV
A3	CS	1310A22508-0-MTR	AXI
SHEET		42	OF 66

CHANGE by *Drawer Name* 16-Dec-2008



	C1003	C1004	C1005
LIS355AL3	0.033u	0.033u	0.033u
KXPB5-2050	0.1u	0.1u	0.1u

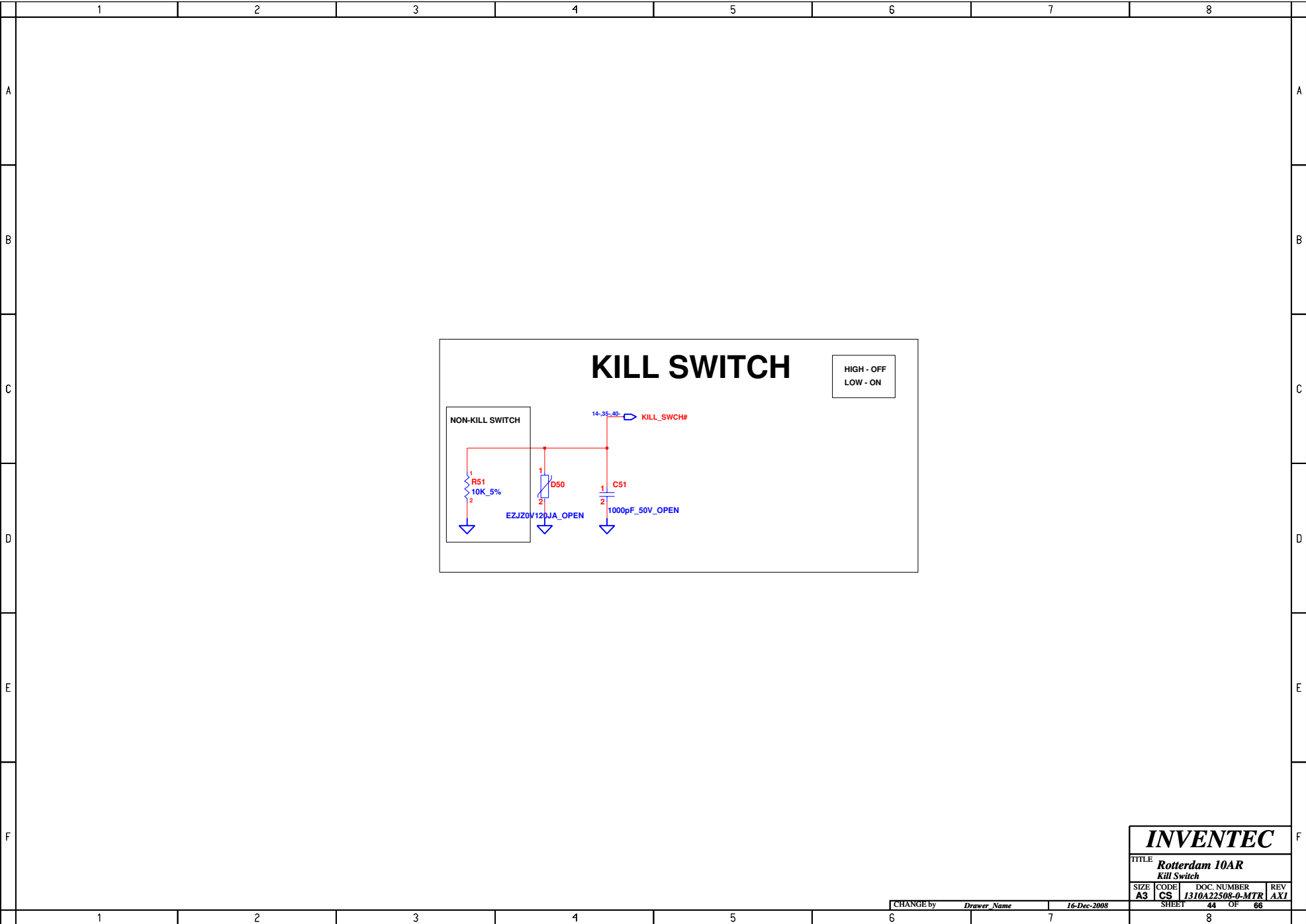
INVENTEC

TITLE
Rotterdam 10AR
3D SENSOR

SIZE	CODE	DOC. NUMBER	REV
A3	CS	1310A22508-0-MTR	AXI

CHANGE by *Drawer Name* 16-Dec-2008

SHEET 43 OF 66



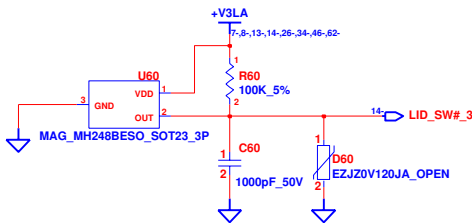
INVENTEC

TITLE
Rotterdam 10AR
Kill Switch

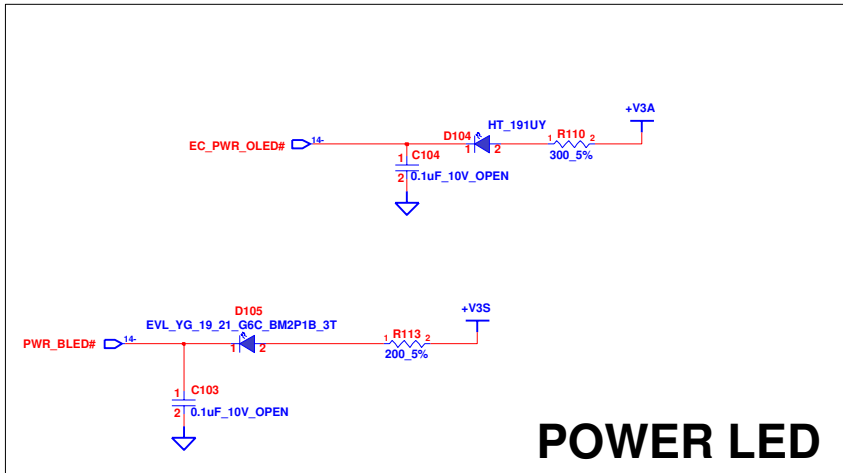
SIZE A3	CODE CS	DOC. NUMBER 1310A22508-0-MTR	REV AX1
SHEET		44	OF 66

CHANGE by *Drawer Name* 16-Dec-2008

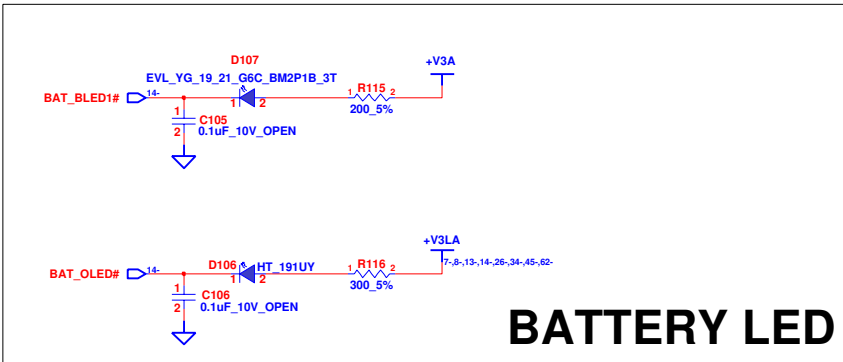
LID SWITCH



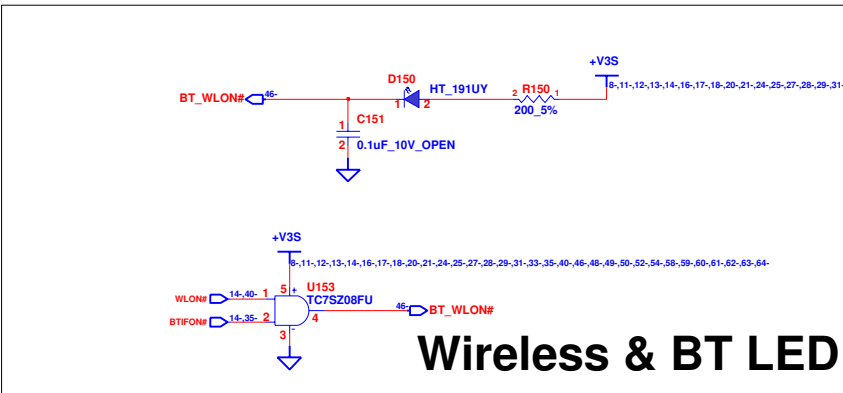
INVENTEC			
TITLE Rotterdam 10AR <i>LID Switch</i>			
SIZE A3	CODE CS	DOC. NUMBER 1310A22508-0-MTR	REV AX1
CHANGE by <i>Drawer Name</i>		16-Dec-2008	
SHEET		45 OF 66	



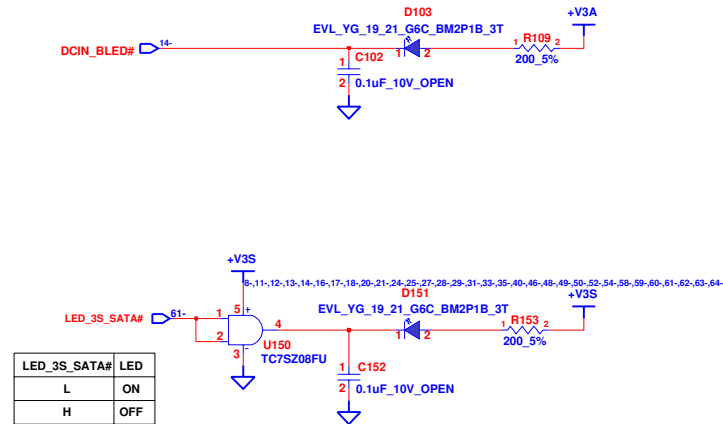
POWER LED



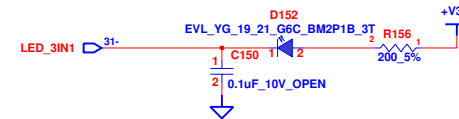
BATTERY LED



Wireless & BT LED



LED_3S_SATA#	LED
L	ON
H	OFF

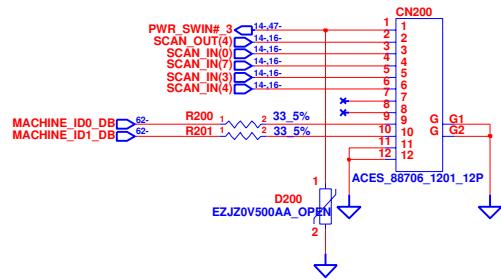


LED_3IN1	LED
L	ON
H	OFF

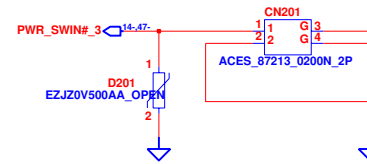
INVENTEC

TITLE			
Rotterdam 10AR			
LED			
SIZE	CODE	DOC. NUMBER	REV
A3	CS	1310A22508-0-MTR	AXI
SHEET		OF	
46		86	

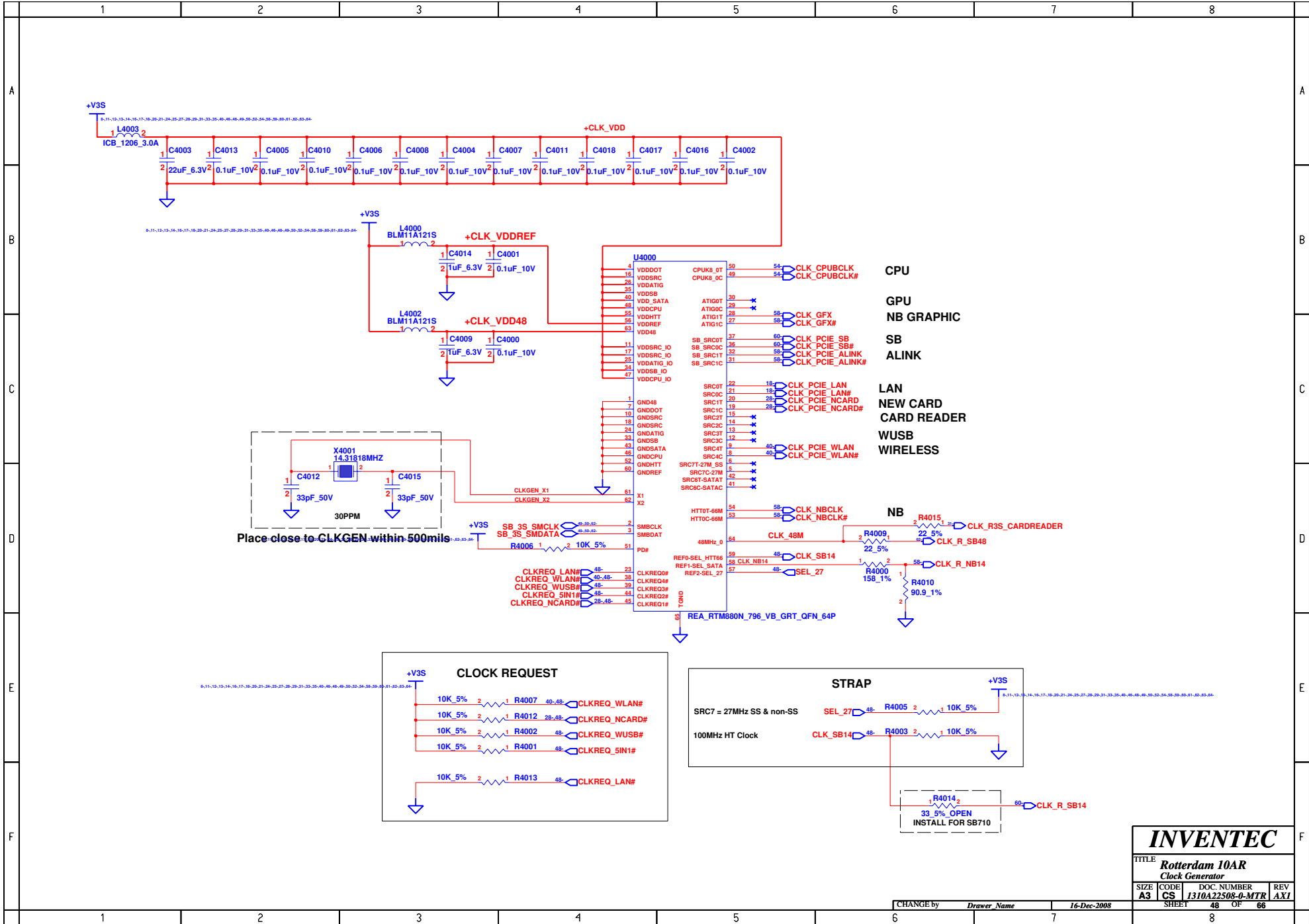
HOTKEY



POWER BUTTON



INVENTEC			
TITLE Rotterdam 10AR Connector			
SIZE A3	CODE CS	DOC. NUMBER 1310A22508-0-MTR	REV AX1
CHANGE by <i>Drawer Name</i>		16-Dec-2008	
SHEET		47 OF 66	



Place close to CLKGEN within 500mils

CPU

GPU
NB GRAPHIC

SB
ALINK

LAN
NEW CARD
CARD READER
WUSB
WIRELESS

NB

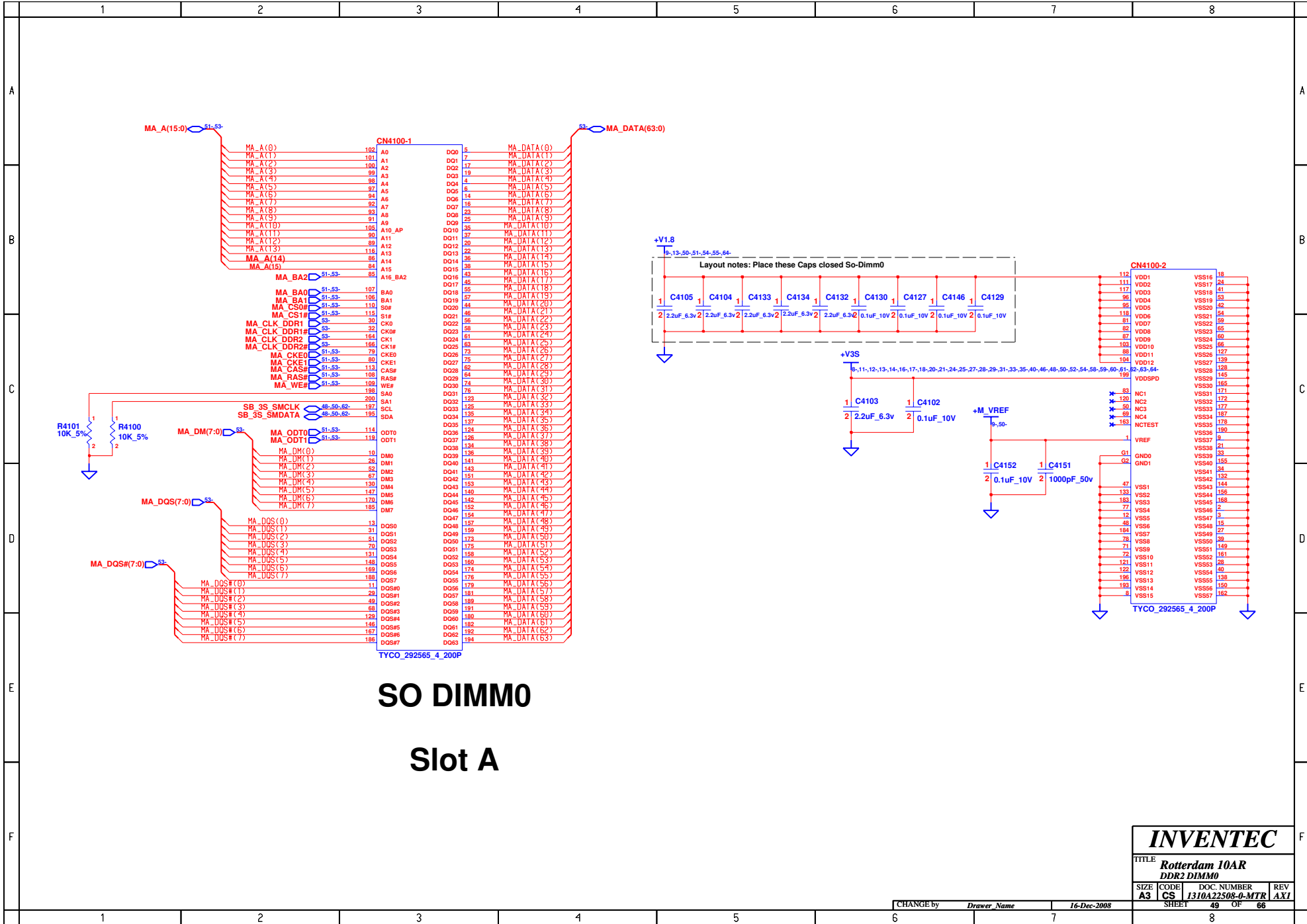
CLOCK REQUEST

STRAP

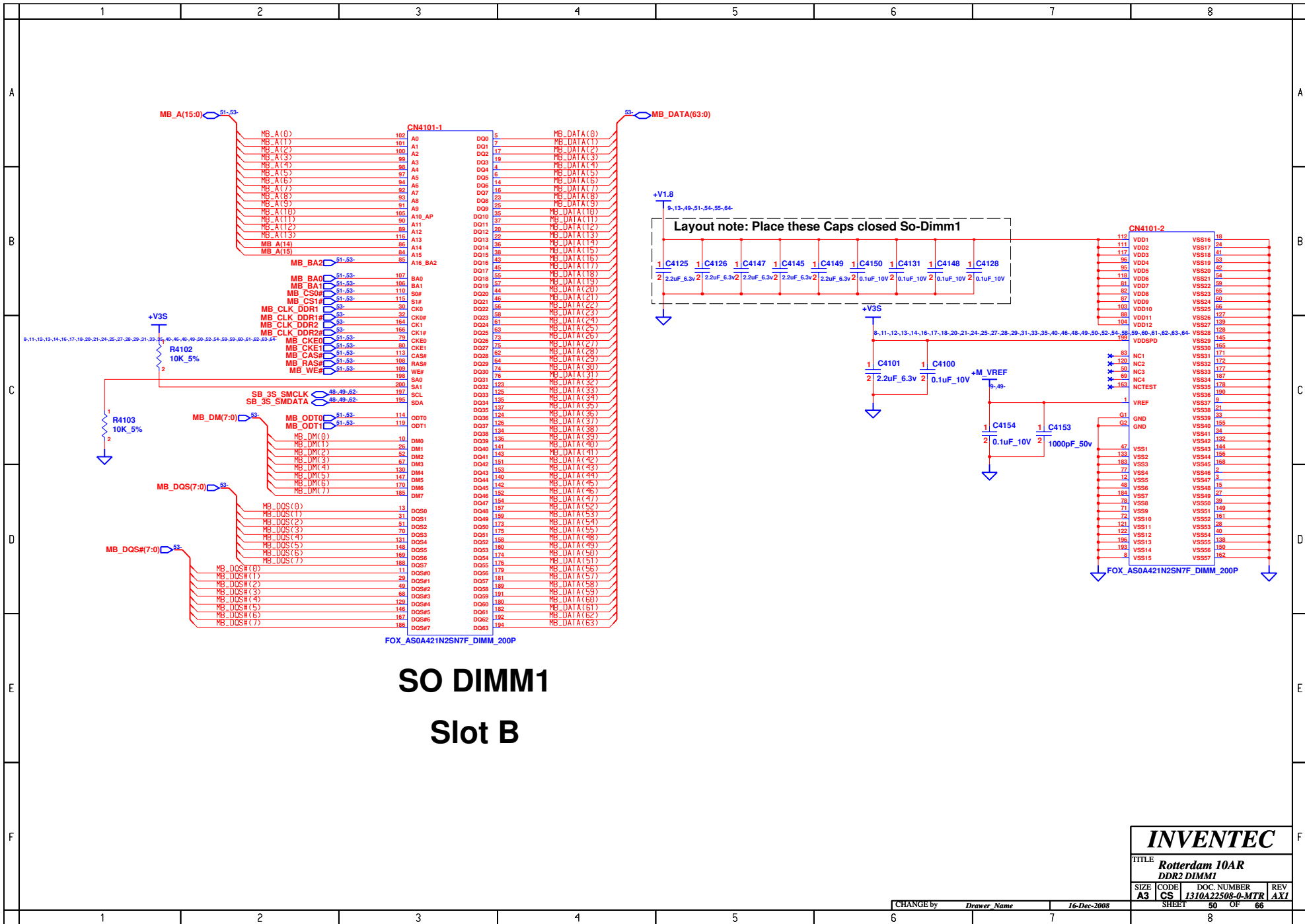
INVENTEC

TITLE			
Rotterdam 10AR			
Clock Generator			
SIZE	CODE	DOC NUMBER	REV
A3	CS	1310A22508-0-MTR	AXI
SHEET		48	OF 86

CHANGE by *Drawer Name* 16-Dec-2008



INVENTEC			
TITLE Rotterdam 10AR DDR2 DIMM0			
SIZE A3	CODE CS	DOC NUMBER 1310A22508-0-MTR	REV AX1
CHANGE by <i>Drawer Name</i>		16-Dec-2008	
SHEET		49 OF 86	



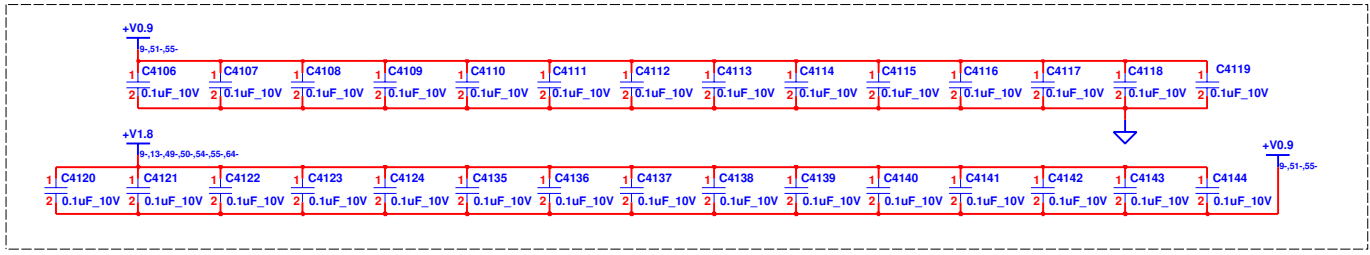
SO DIMM1 Slot B

INVENTEC

TITLE
**Rotterdam 10AR
DDR2 DIMM1**

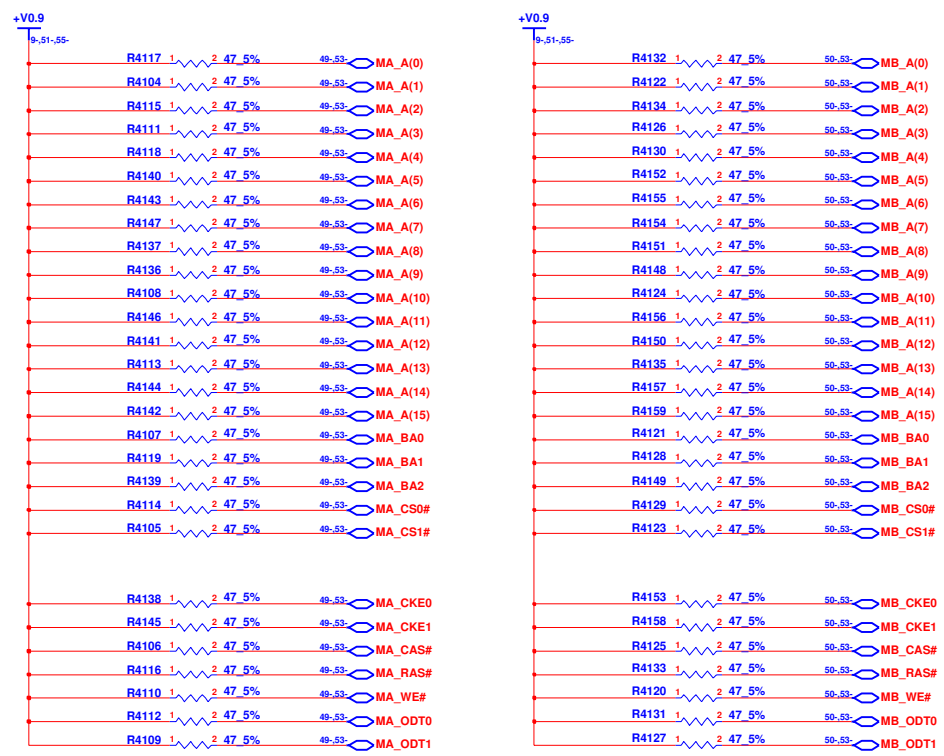
SIZE A3	CODE CS	DOC NUMBER 1310A22508-0-MTR	REV AX1
SHEET 50		OF 86	

CHANGE by *Drawer Name* 16-Dec-2008



To CPU power sense

Place CAPs close to DIMM



INVENTEC			
TITLE Rotterdam 10AR DDR2 Damping			
SIZE A3	CODE CS	DOC. NUMBER 1310A22508-0-MTR	REV AX1
CHANGE by <i>Drawer Name</i>		16-Dec-2008	
SHEET 51		OF 86	

A

B

C

D

E

F

A

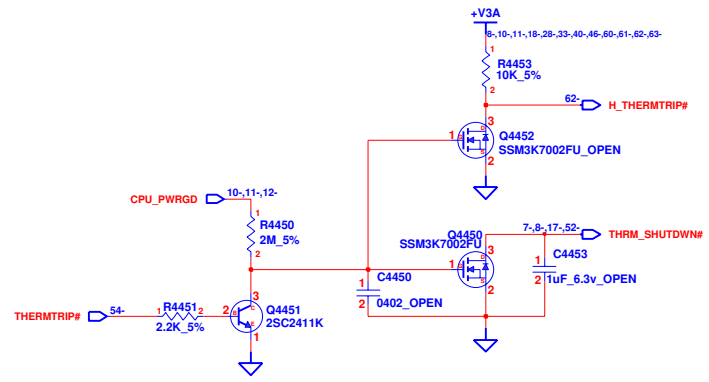
B

C

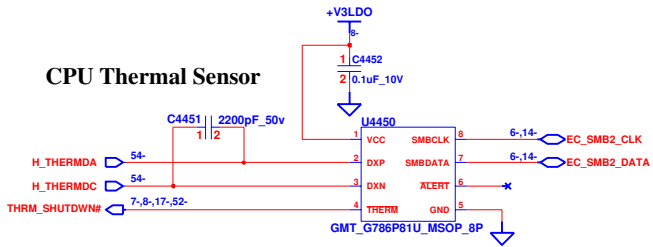
D

E

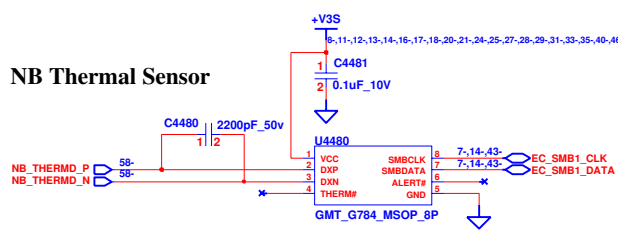
F



CPU Thermal Sensor

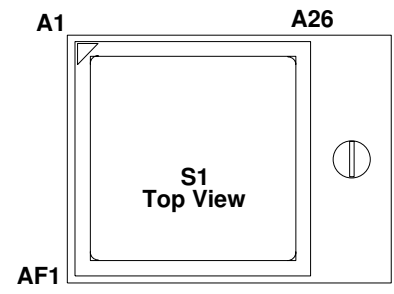


NB Thermal Sensor

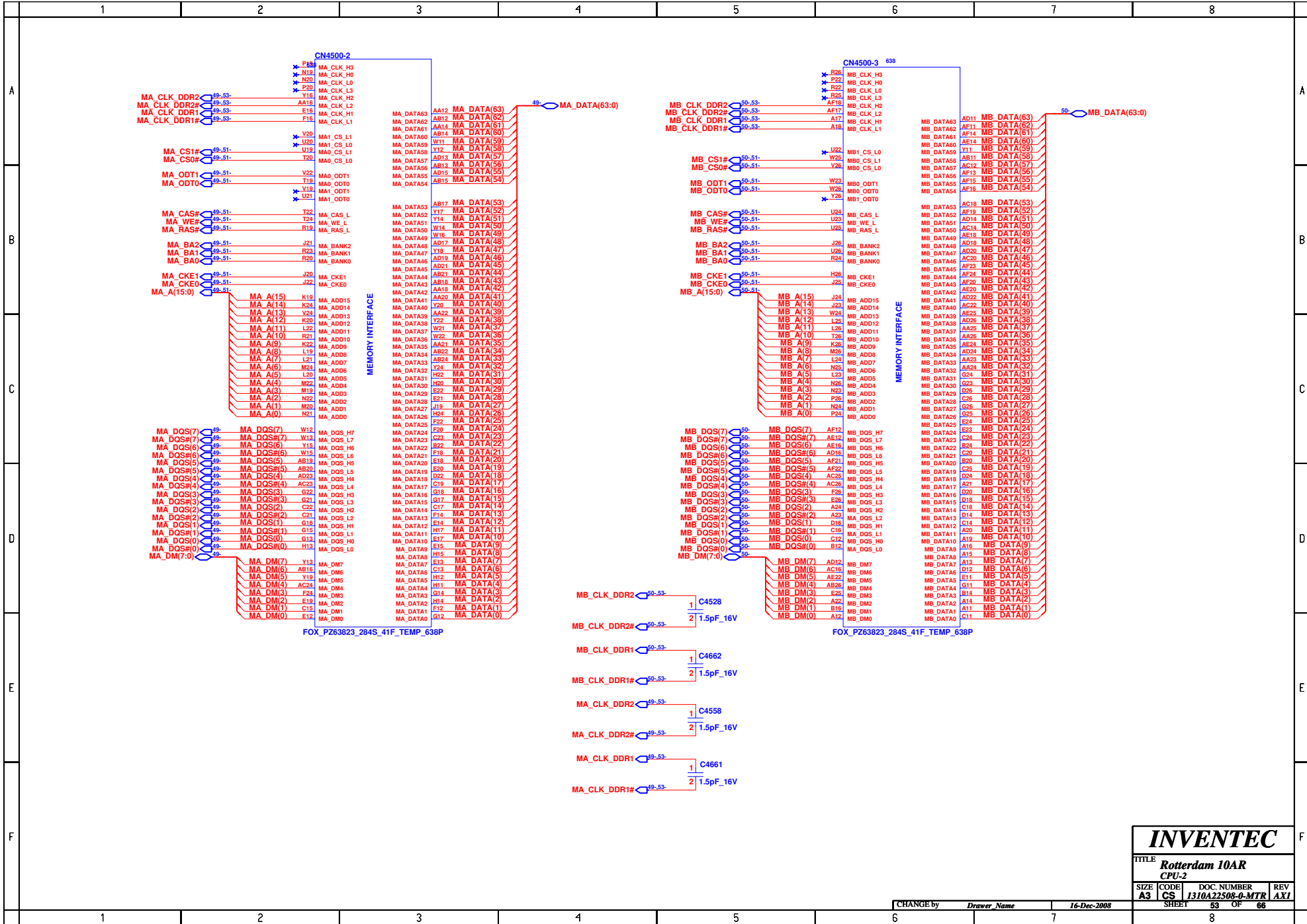


CN4500-1_638			
L0_CLKIN1#	56-	J6	L0_CLKIN_H1
L0_CLKIN1#	56-	K5	L0_CLKIN_L1
L0_CLKIN0#	56-	J3	L0_CLKIN_H0
L0_CLKIN0#	56-	J2	L0_CLKIN_L0
L0_CTLIN1#	56-	P3	L0_CTLIN_H1
L0_CTLIN1#	56-	P4	L0_CTLIN_L1
L0_CTLIN0#	56-	M1	L0_CTLIN_H0
L0_CTLIN0#	56-	P1	L0_CTLIN_L0
L0_CADIN15#	56-	N6	L0_CADIN_H15
L0_CADIN15#	56-	P2	L0_CADIN_L15
L0_CADIN14#	56-	M3	L0_CADIN_H14
L0_CADIN14#	56-	M4	L0_CADIN_L14
L0_CADIN13#	56-	L3	L0_CADIN_H13
L0_CADIN13#	56-	M6	L0_CADIN_L13
L0_CADIN12#	56-	K3	L0_CADIN_H12
L0_CADIN12#	56-	K4	L0_CADIN_L12
L0_CADIN11#	56-	H3	L0_CADIN_H11
L0_CADIN11#	56-	H4	L0_CADIN_L11
L0_CADIN10#	56-	G5	L0_CADIN_H10
L0_CADIN10#	56-	H5	L0_CADIN_L10
L0_CADIN9#	56-	F3	L0_CADIN_H9
L0_CADIN9#	56-	F4	L0_CADIN_L9
L0_CADIN8#	56-	E5	L0_CADIN_H8
L0_CADIN8#	56-	F5	L0_CADIN_L8
L0_CADIN7#	56-	N3	L0_CADIN_H7
L0_CADIN7#	56-	N2	L0_CADIN_L7
L0_CADIN6#	56-	L1	L0_CADIN_H6
L0_CADIN6#	56-	M1	L0_CADIN_L6
L0_CADIN5#	56-	L3	L0_CADIN_H5
L0_CADIN5#	56-	L2	L0_CADIN_L5
L0_CADIN4#	56-	J1	L0_CADIN_H4
L0_CADIN4#	56-	K1	L0_CADIN_L4
L0_CADIN3#	56-	G1	L0_CADIN_H3
L0_CADIN3#	56-	H1	L0_CADIN_L3
L0_CADIN2#	56-	G3	L0_CADIN_H2
L0_CADIN2#	56-	G2	L0_CADIN_L2
L0_CADIN1#	56-	E1	L0_CADIN_H1
L0_CADIN1#	56-	F1	L0_CADIN_L1
L0_CADIN0#	56-	E3	L0_CADIN_H0
L0_CADIN0#	56-	E2	L0_CADIN_L0
L0_CLKOUT1	Y4	56-	L0_CLKOUT_H1
L0_CLKOUT1#	Y3	56-	L0_CLKOUT_L1
L0_CLKOUT0	Y1	56-	L0_CLKOUT_H0
L0_CLKOUT0#	Y1	56-	L0_CLKOUT_L0
L0_CTOUT1	T5	56-	L0_CTOUT_H1
L0_CTOUT1#	RS	56-	L0_CTOUT_L1
L0_CTOUT0	R2	56-	L0_CTOUT_H0
L0_CTOUT0#	R3	56-	L0_CTOUT_L0
L0_CADOUT15	T4	56-	L0_CADOUT_H15
L0_CADOUT15#	T3	56-	L0_CADOUT_L15
L0_CADOUT14	V5	56-	L0_CADOUT_H14
L0_CADOUT14#	V5	56-	L0_CADOUT_L14
L0_CADOUT13	V4	56-	L0_CADOUT_H13
L0_CADOUT13#	V3	56-	L0_CADOUT_L13
L0_CADOUT12	V5	56-	L0_CADOUT_H12
L0_CADOUT12#	W5	56-	L0_CADOUT_L12
L0_CADOUT11#	AB5	56-	L0_CADOUT_H11
L0_CADOUT11#	AA5	56-	L0_CADOUT_L11
L0_CADOUT10	AB4	56-	L0_CADOUT_H10
L0_CADOUT10#	AB3	56-	L0_CADOUT_L10
L0_CADOUT9	AD5	56-	L0_CADOUT_H9
L0_CADOUT9#	AC5	56-	L0_CADOUT_L9
L0_CADOUT8	AD4	56-	L0_CADOUT_H8
L0_CADOUT8#	AD3	56-	L0_CADOUT_L8
L0_CADOUT7	T1	56-	L0_CADOUT_H7
L0_CADOUT7#	R1	56-	L0_CADOUT_L7
L0_CADOUT6	U2	56-	L0_CADOUT_H6
L0_CADOUT6#	U2	56-	L0_CADOUT_L6
L0_CADOUT5	V1	56-	L0_CADOUT_H5
L0_CADOUT5#	U1	56-	L0_CADOUT_L5
L0_CADOUT4	W2	56-	L0_CADOUT_H4
L0_CADOUT4#	W3	56-	L0_CADOUT_L4
L0_CADOUT3	AA2	56-	L0_CADOUT_H3
L0_CADOUT3#	AA3	56-	L0_CADOUT_L3
L0_CADOUT2	AB1	56-	L0_CADOUT_H2
L0_CADOUT2#	AA1	56-	L0_CADOUT_L2
L0_CADOUT1	AC2	56-	L0_CADOUT_H1
L0_CADOUT1#	AC3	56-	L0_CADOUT_L1
L0_CADOUT0	AD1	56-	L0_CADOUT_H0
L0_CADOUT0#	AC1	56-	L0_CADOUT_L0

Layout: Add stitching caps if crossing plane split.



INVENTEC			
TITLE Rotterdam 10AR CPU-1			
SIZE A3	CODE CS	DOC. NUMBER 1310A22508-0-MTR	REV AX1
CHANGE by <i>Drawer Name</i>		16-Dec-2008	
SHEET		52 OF 86	

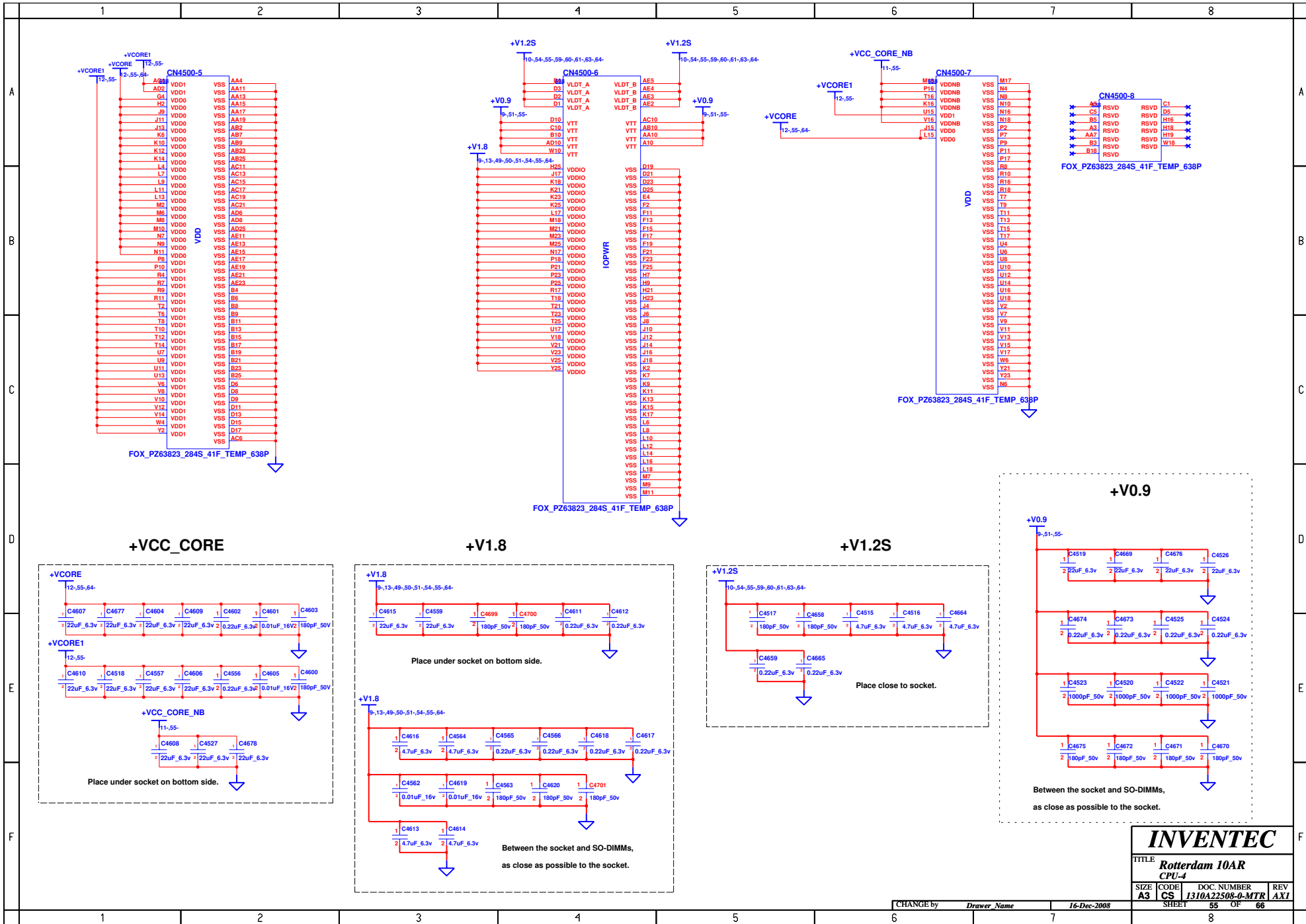


INVENTEC

TITLE **Rotterdam 10AR CPU-2**

SIZE A3	CODE CS	DOC NUMBER 1310A22508-0-MTR	REV AX1
SHEET 53		OF 86	

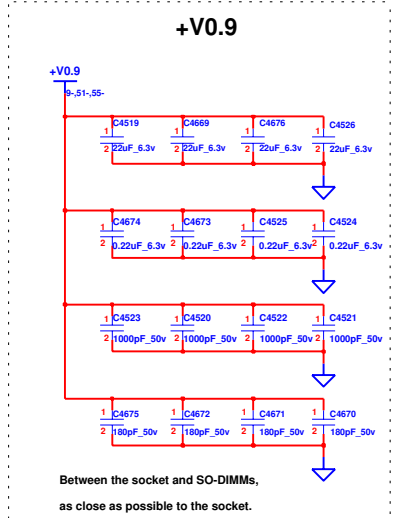
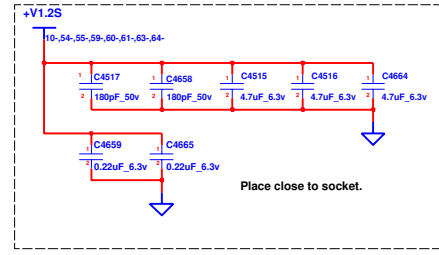
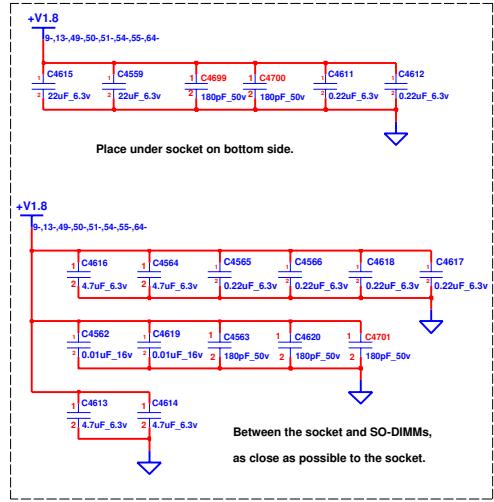
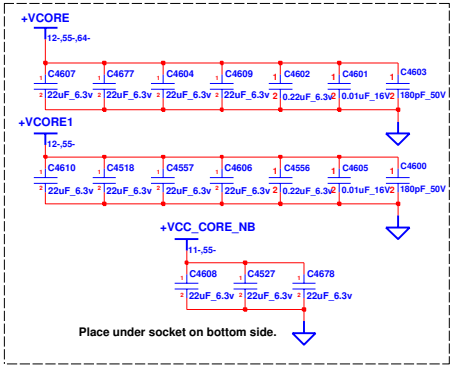
CHANGE by *Drawer Name* 16-Dec-2008



CN4500-8

★ A5	RSVD	RSVD	C1	★
★ C5	RSVD	RSVD	D5	★
★ B5	RSVD	RSVD	H6	★
★ A3	RSVD	RSVD	H16	★
★ A7	RSVD	RSVD	H19	★
★ B18	RSVD	RSVD	W18	★

FOX_P263823_284S_41F_TEMP_638P

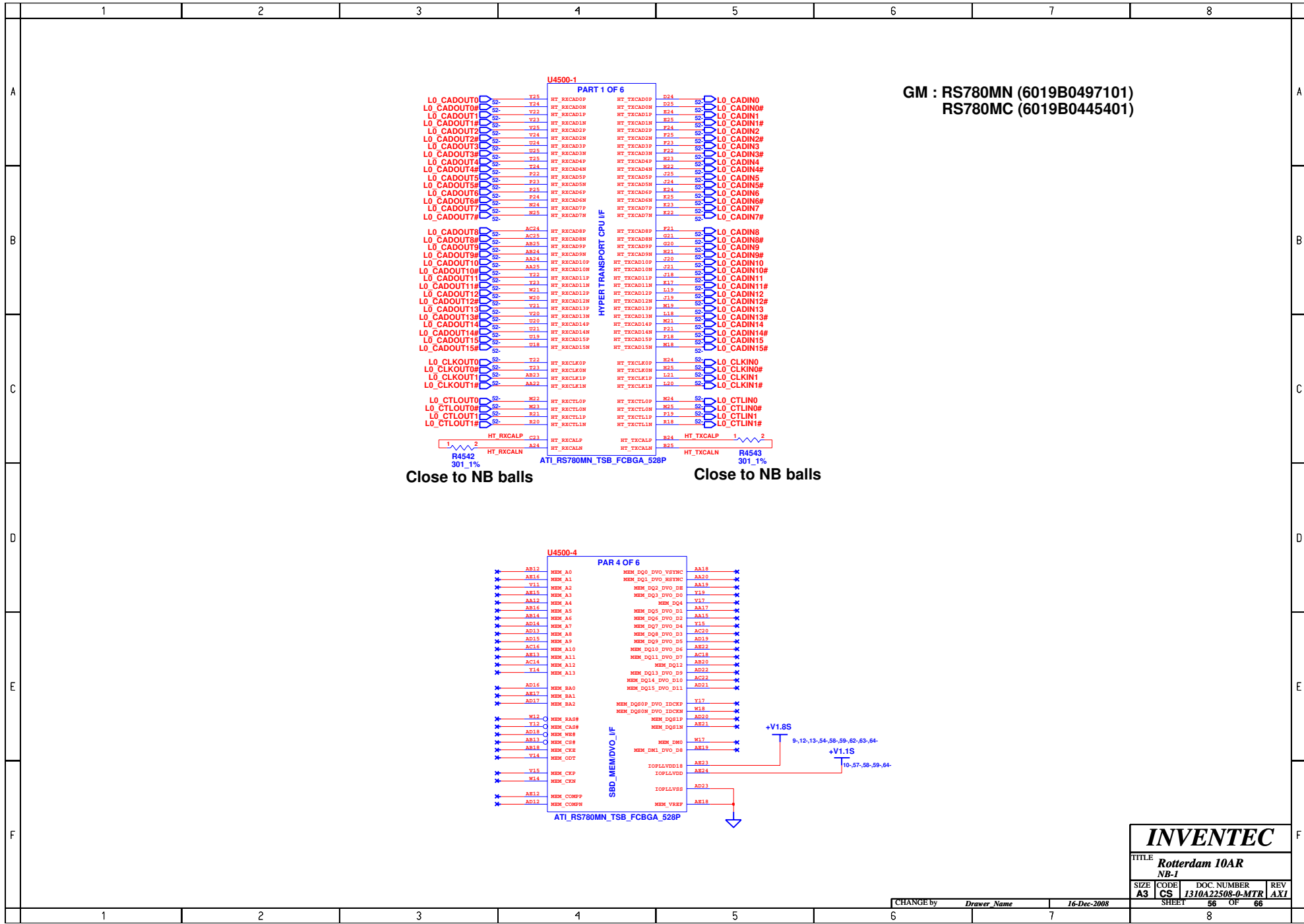


INVENTEC

TITLE
Rotterdam 10AR CPU-4

SIZE	CODE	DOC. NUMBER	REV
A3	CS	1310A22508-0-MTR	AX1

SHEET 55 OF 86

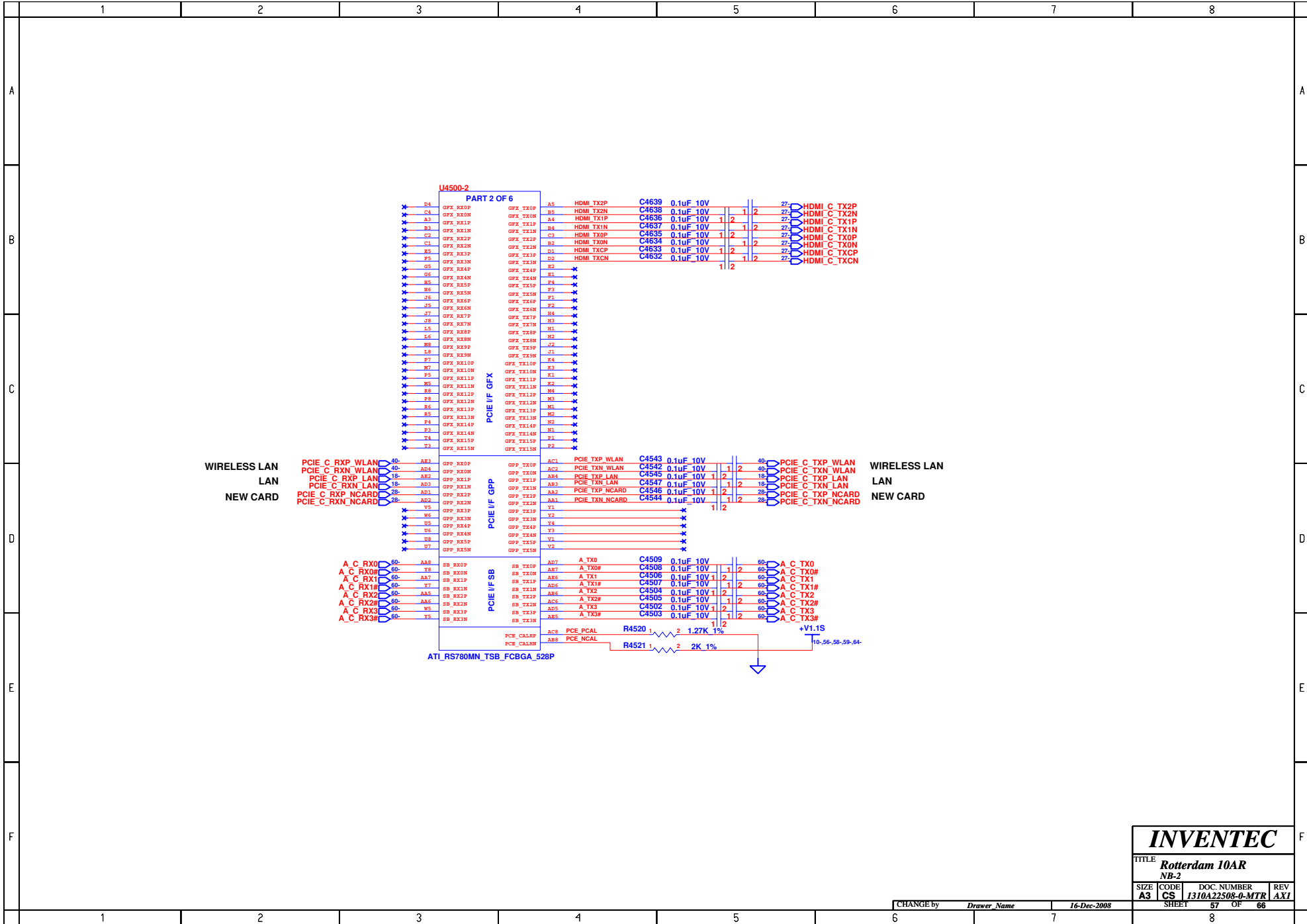


GM : RS780MN (6019B0497101)
RS780MC (6019B0445401)

Close to NB balls

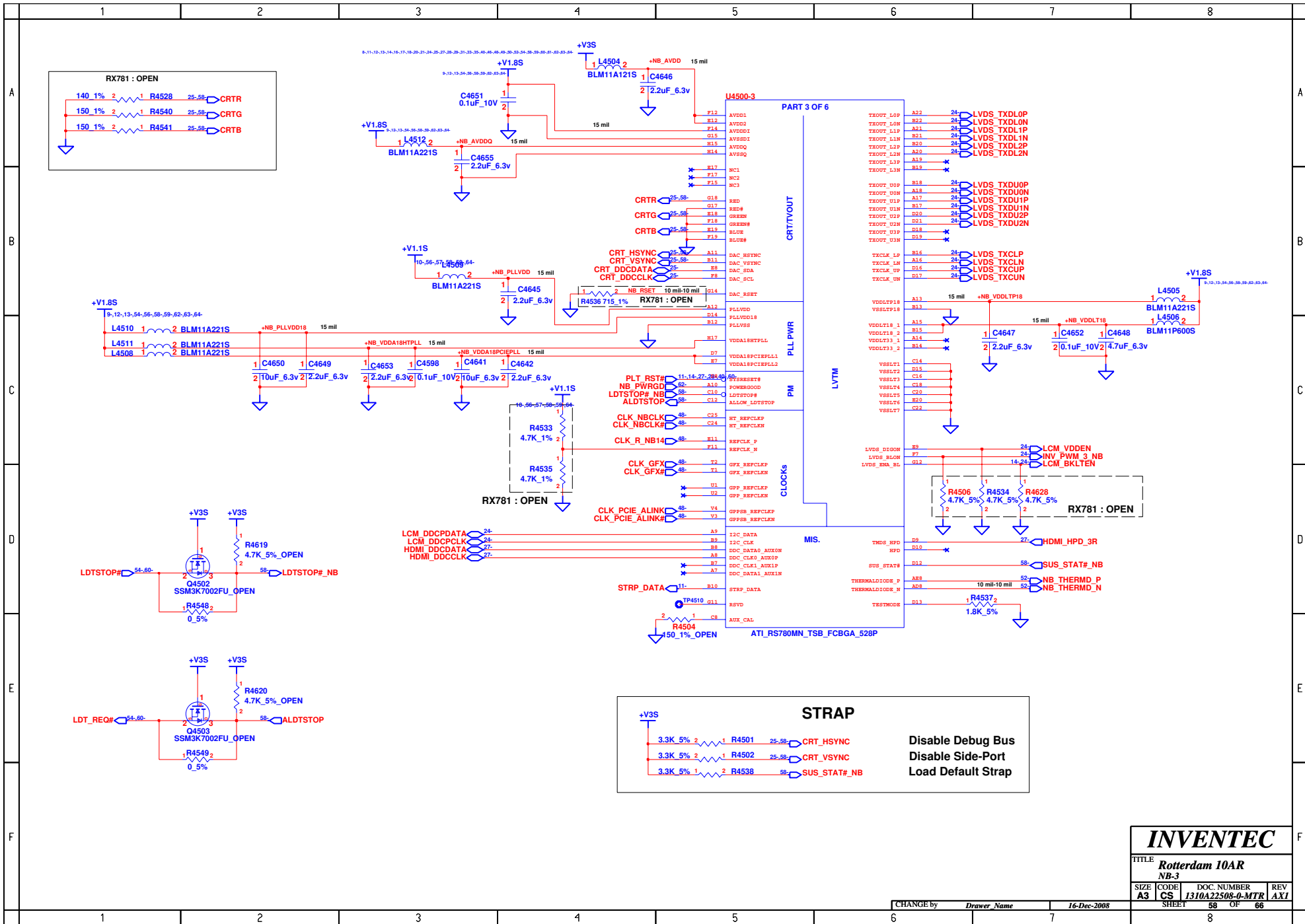
Close to NB balls

INVENTEC			
TITLE Rotterdam 10AR			
NB-1			
SIZE	CODE	DOC. NUMBER	REV
A3	CS	1310A22508-0-MTR	AX1
CHANGE by		Drawer Name	16-Dec-2008
SHEET		56	OF 86

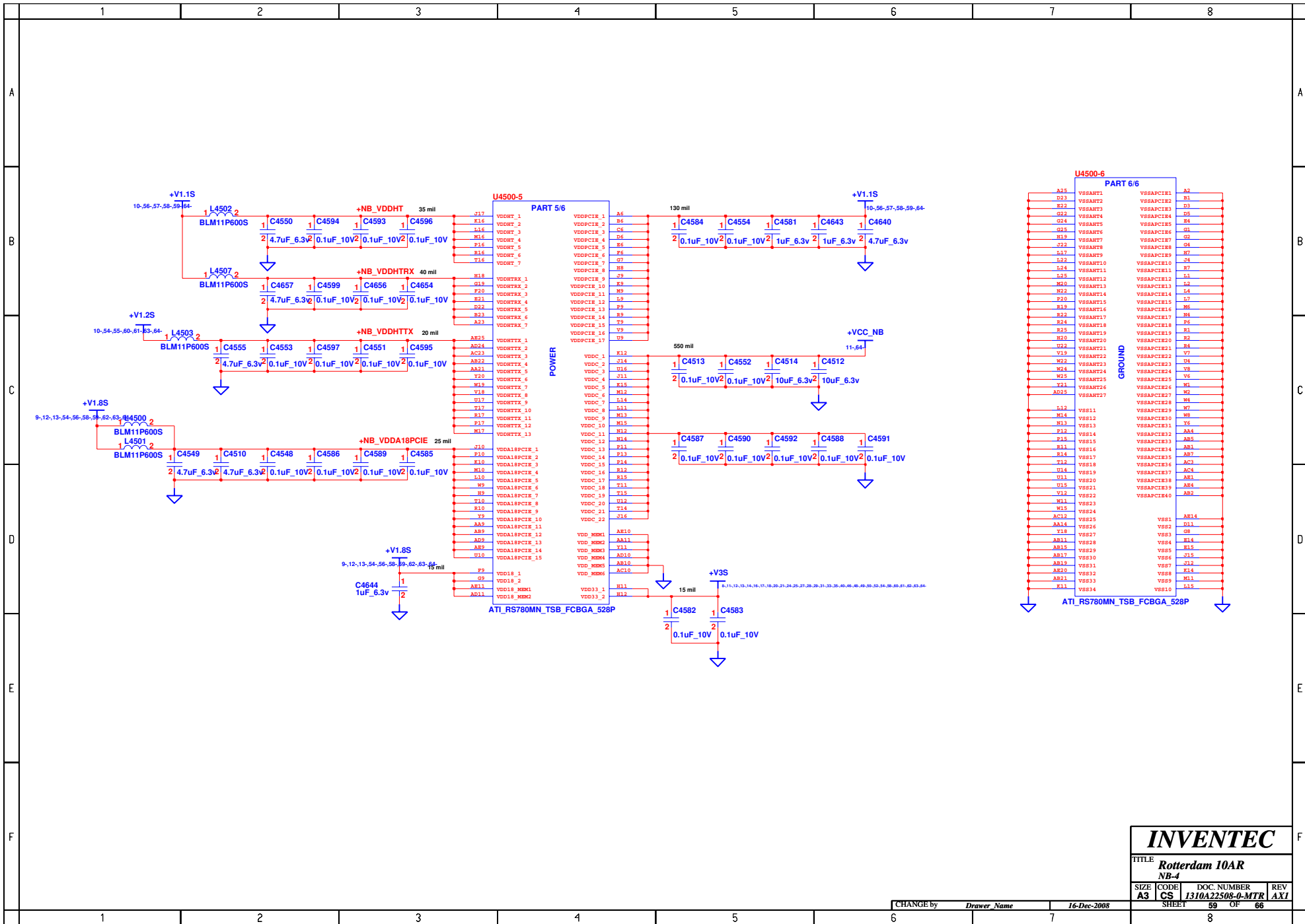


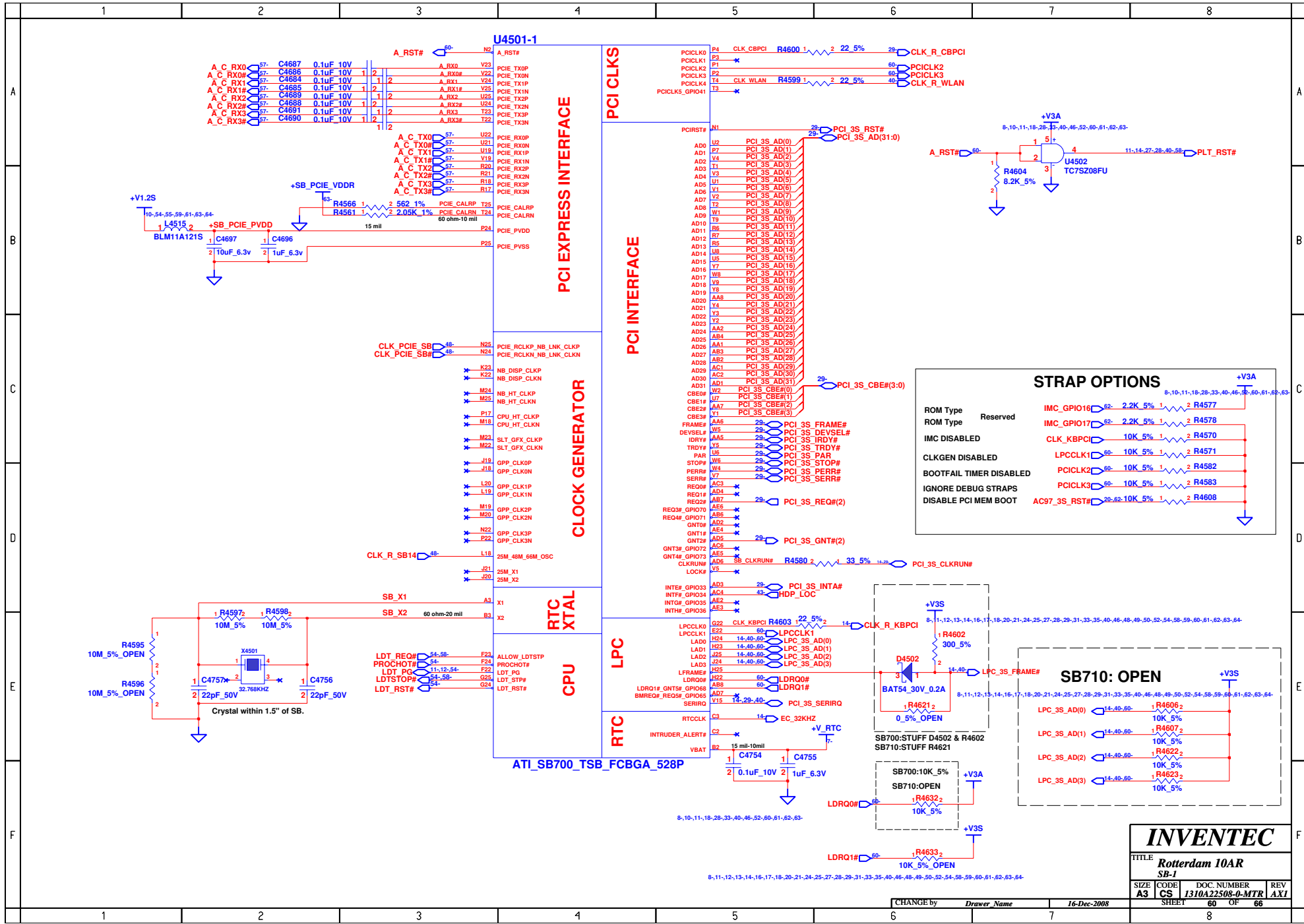
INVENTEC			
TITLE Rotterdam 10AR			
NB-2			
SIZE	CODE	DOC. NUMBER	REV
A3	CS	1310A22508-0-MTR	AX1
SHEET		57	OF 86

CHANGE by *Drawer Name* 16-Dec-2008



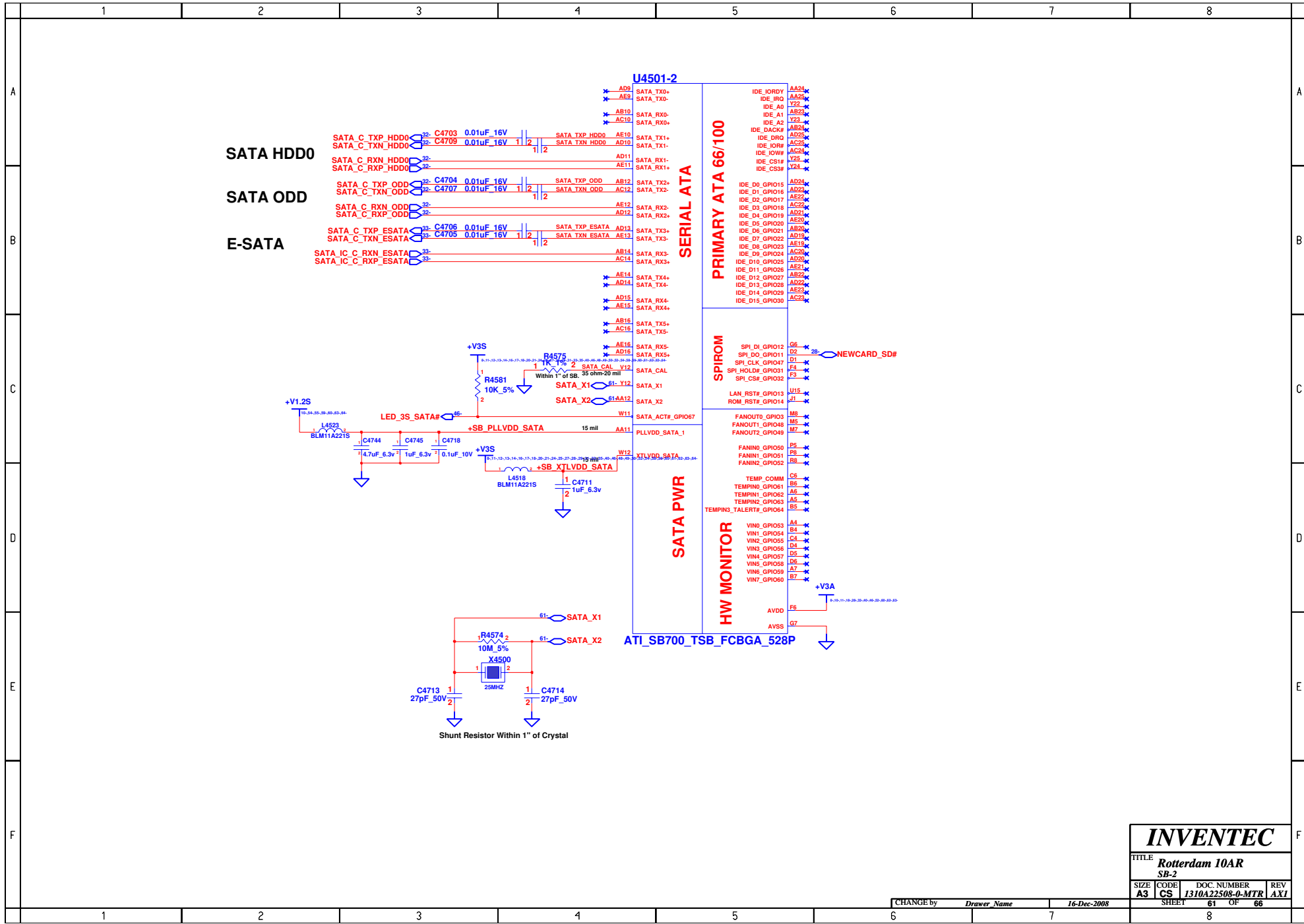
INVENTEC			
TITLE Rotterdam 10AR			
NB-3			
SIZE A3	CODE CS	DOC NUMBER 1310A22508-0-MTR	REV AX1
CHANGE by <i>Drawer Name</i>		16-Dec-2008	
SHEET 58		OF 86	



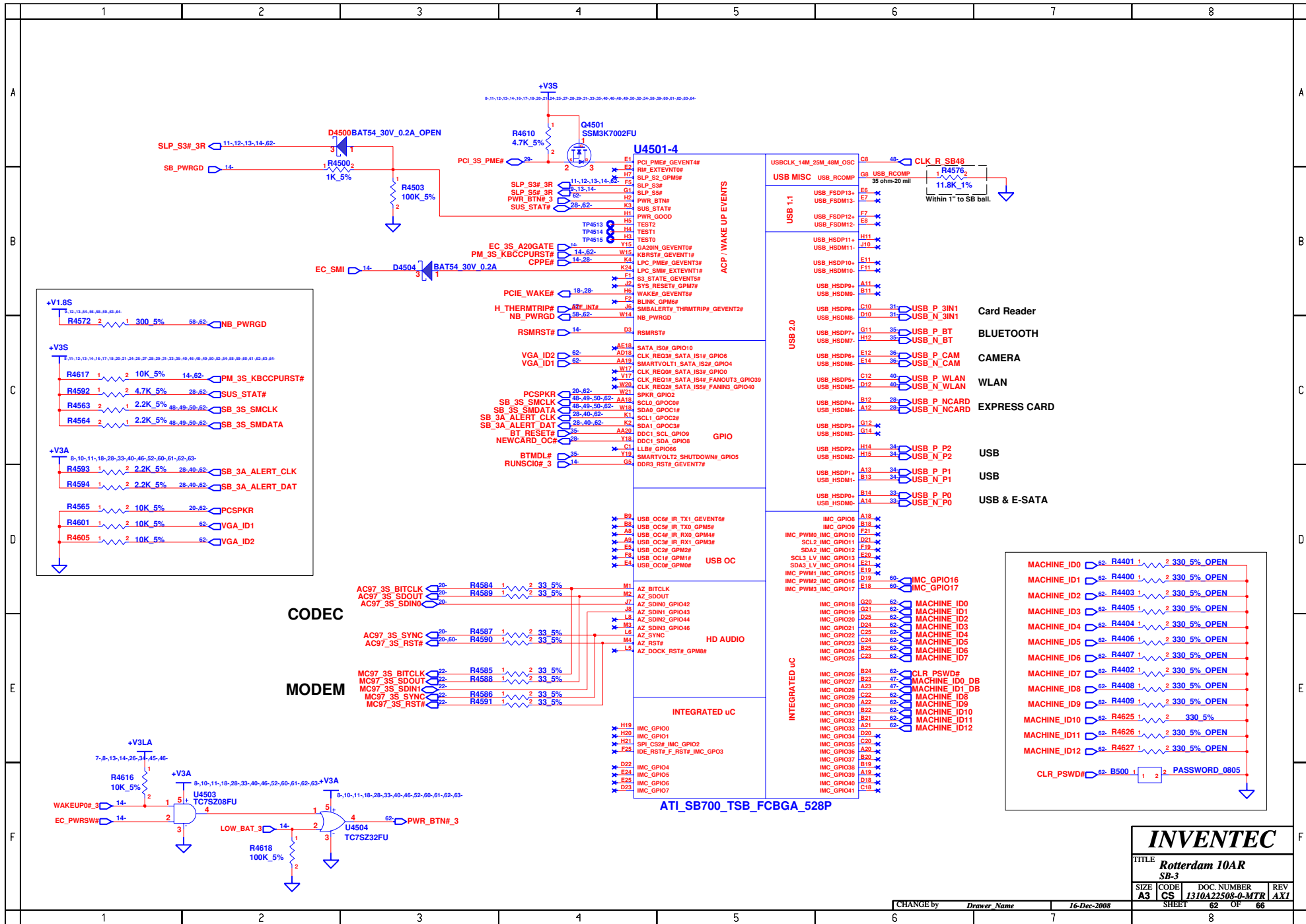


INVENTEC			
TITLE Rotterdam 10AR			
SB-1			
SIZE A3	CODE CS	DOC NUMBER 1310A22508-0-MTR	REV AX1
SHEET 60		OF 86	

CHANGE by *Drawer Name* 16-Dec-2008

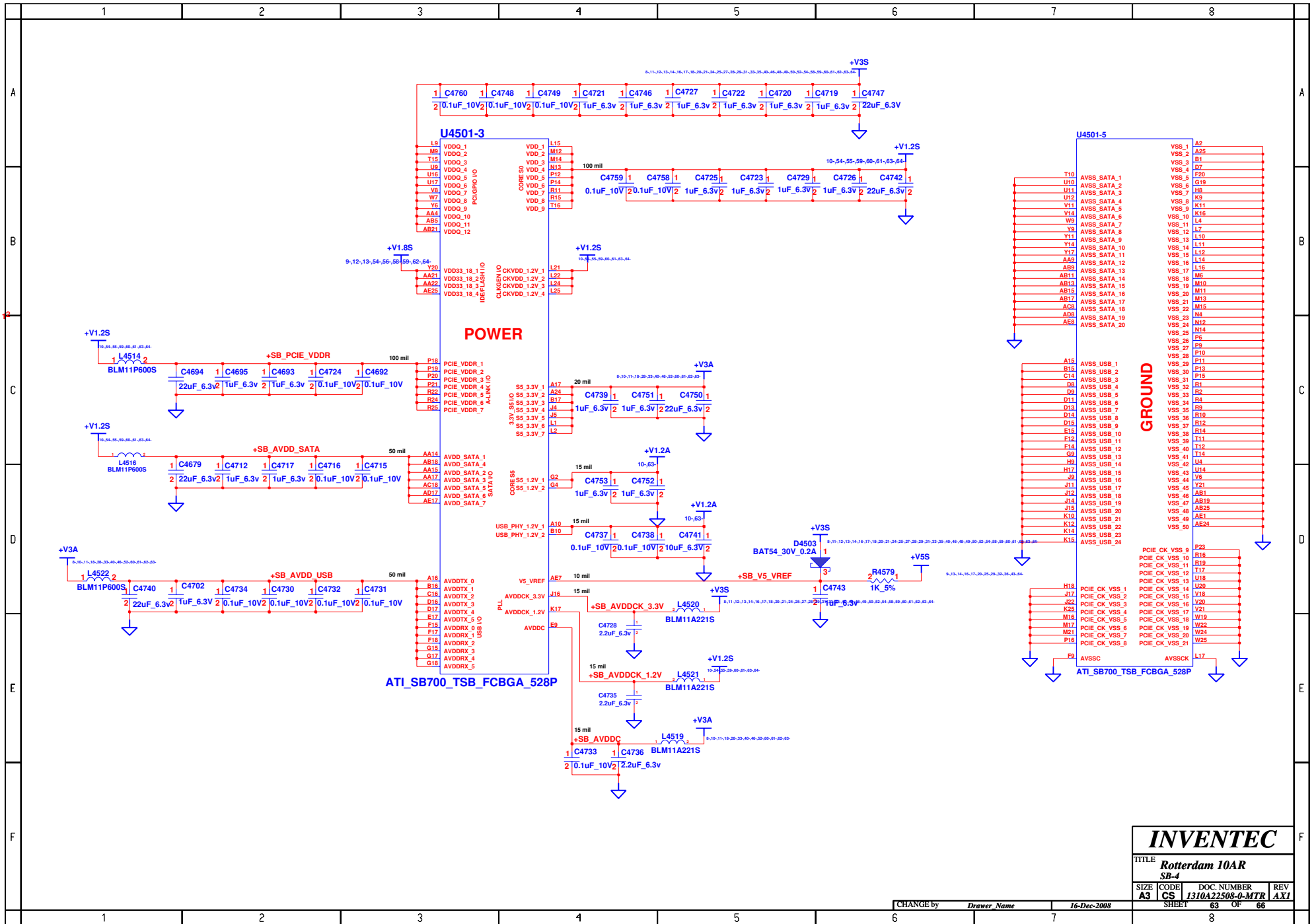


INVENTEC			
TITLE Rotterdam 10AR			
SB-2			
SIZE A3	CODE CS	DOC. NUMBER 1310A22508-0-MTR	REV AX1
CHANGE by <i>Drawer Name</i>		16-Dec-2008	
SHEET 61		OF 86	



INVENTEC			
TITLE Rotterdam 10AR			
SB-3			
SIZE	CODE	DOC NUMBER	REV
A3	CS	1310A22508-0-MTR	AX1
SHEET		62	OF 86

CHANGE by *Drawer Name* 16-Dec-2008



INVENTEC

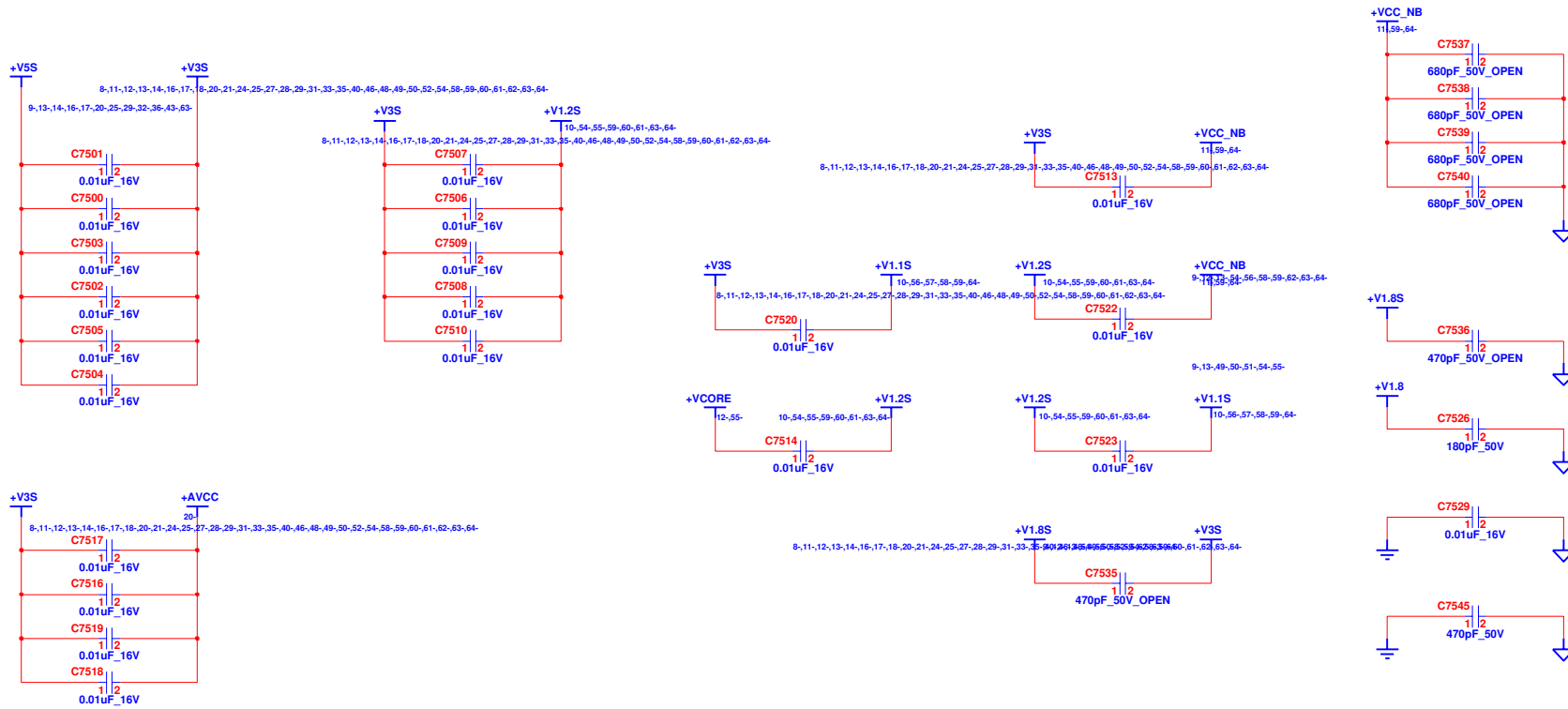
TITLE
Rotterdam 10AR
SB-4

SIZE	CODE	DOC. NUMBER	REV
A3	CS	1310A22508-0-MTR	AX1

CHANGE by *Drawer Name* 16-Dec-2008

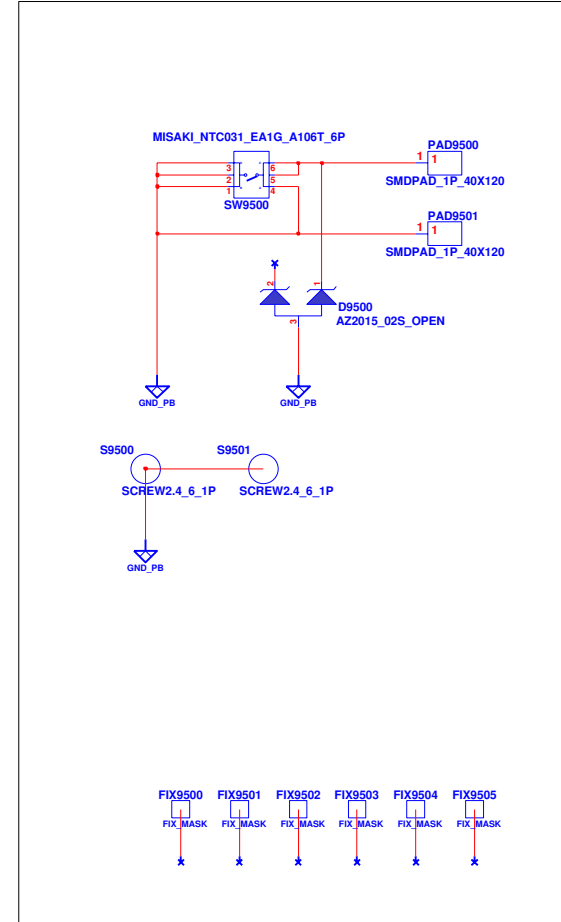
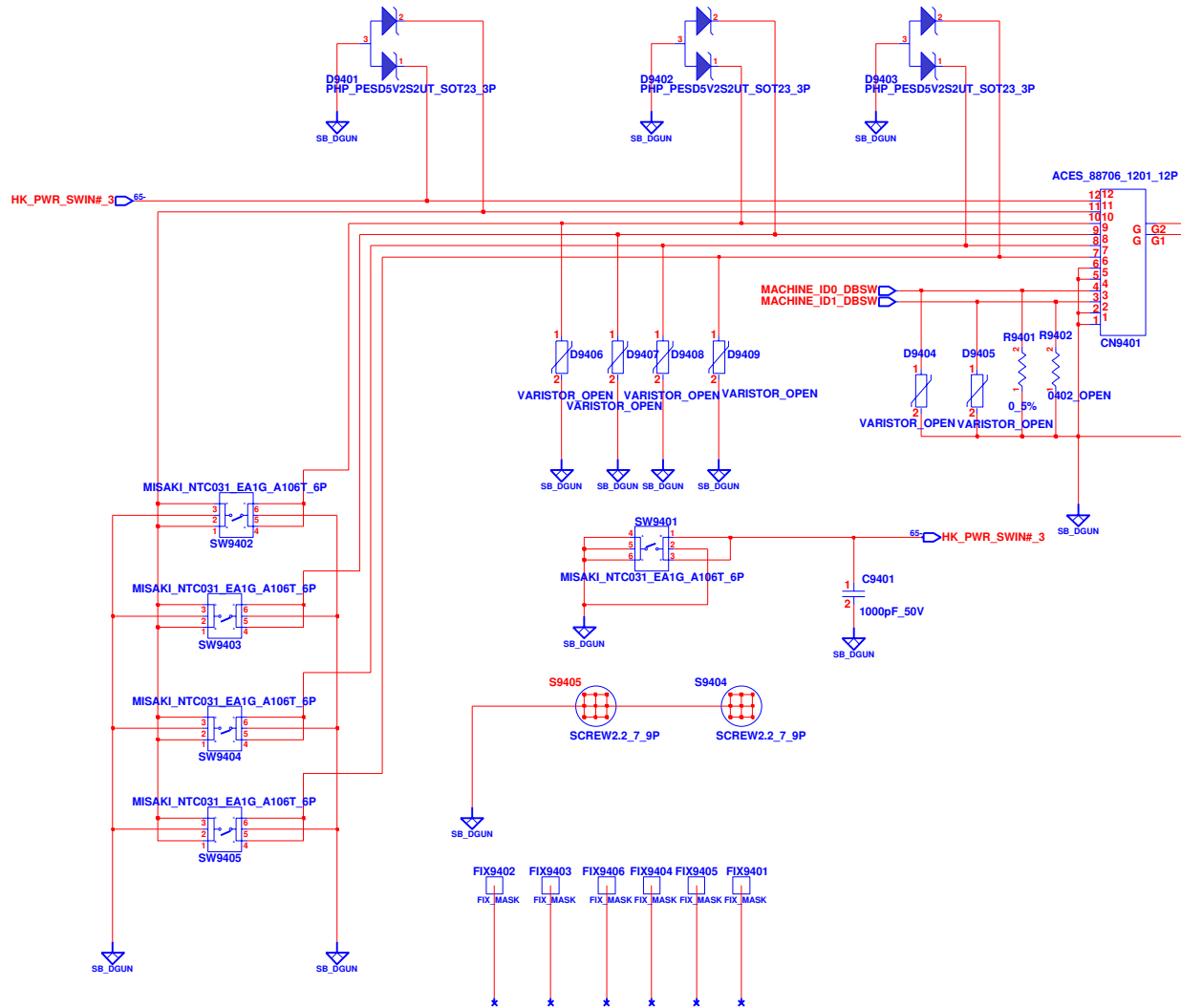
SHEET 63 OF 66

EMI



INVENTEC			
TITLE Rotterdam 10AR			
SIZE A3	CODE CS	DOC. NUMBER 1310A22508-0-MTR	REV AX1
CHANGE by <i>Drawer Name</i>		16-Dec-2008	
SHEET		64 OF 66	

HOTKEY BOARD 0 BUTTON BOARD



INVENTEC

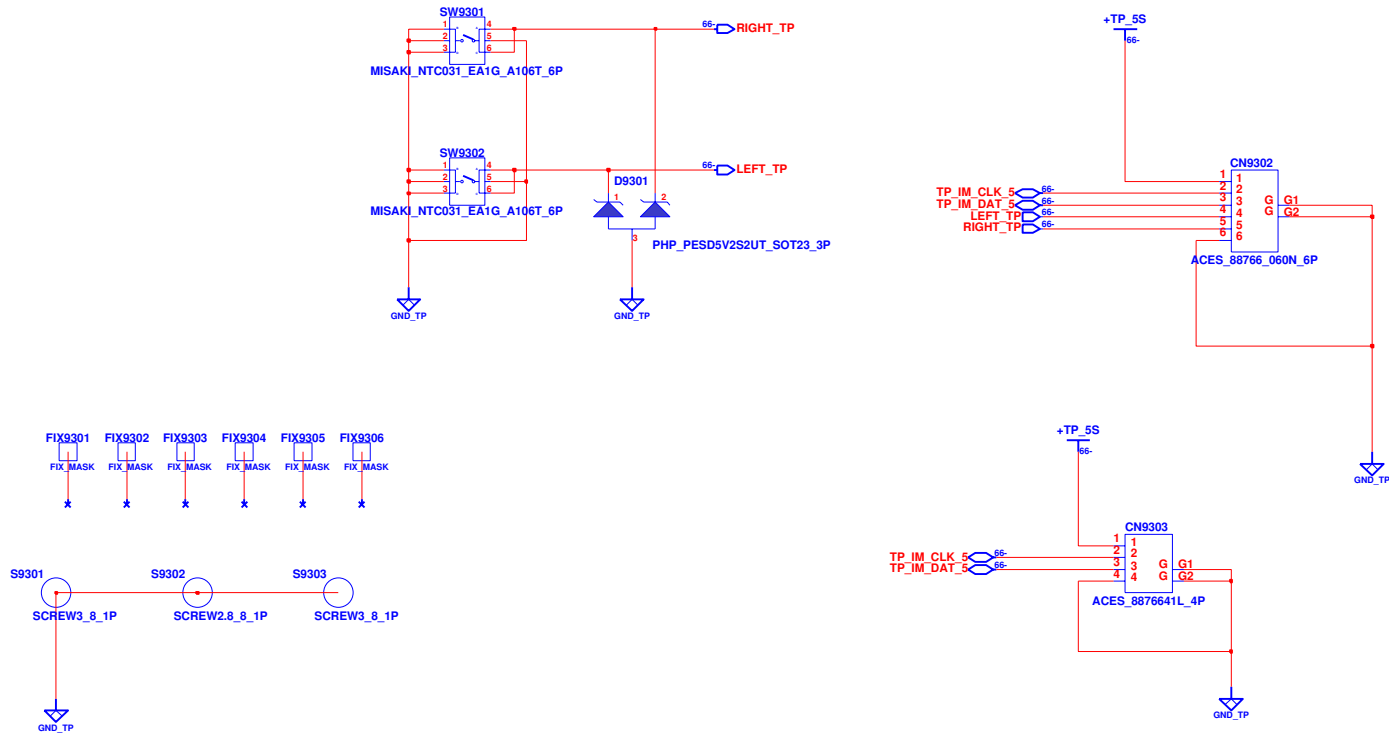
TITLE
Rotterdam 10AR

SIZE A3	CODE CS	DOC NUMBER 1310A22508-0-MTR	REV AX1
CHANGE by <i>Drawer Name</i>		3-Apr-2009	
SHEET 65		OF 66	

CHANGE by *Drawer Name* 3-Apr-2009

8

TOUCH PAD BOARD



INVENTEC			
TITLE Rotterdam 10AR			
SIZE A3	CODE CS	DOC. NUMBER 1310A22508-0-MTR	REV AX1
CHANGE by <i>Drawer Name</i>		DATE 16-Dec-2008	SHEET 66 OF 66