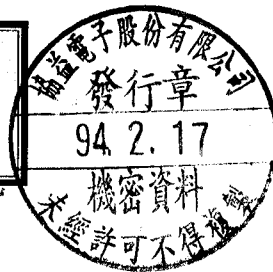


# SPECIFICATION FOR APPROVAL

**Customer :**

協益歐洲



MODEL NAME: HPC-360-302 DF REV:C0

PART NO: 91.36032.B04

ISSUE DATE : 2005.02.17

## Customer Approval

Approved By :	Checked By :

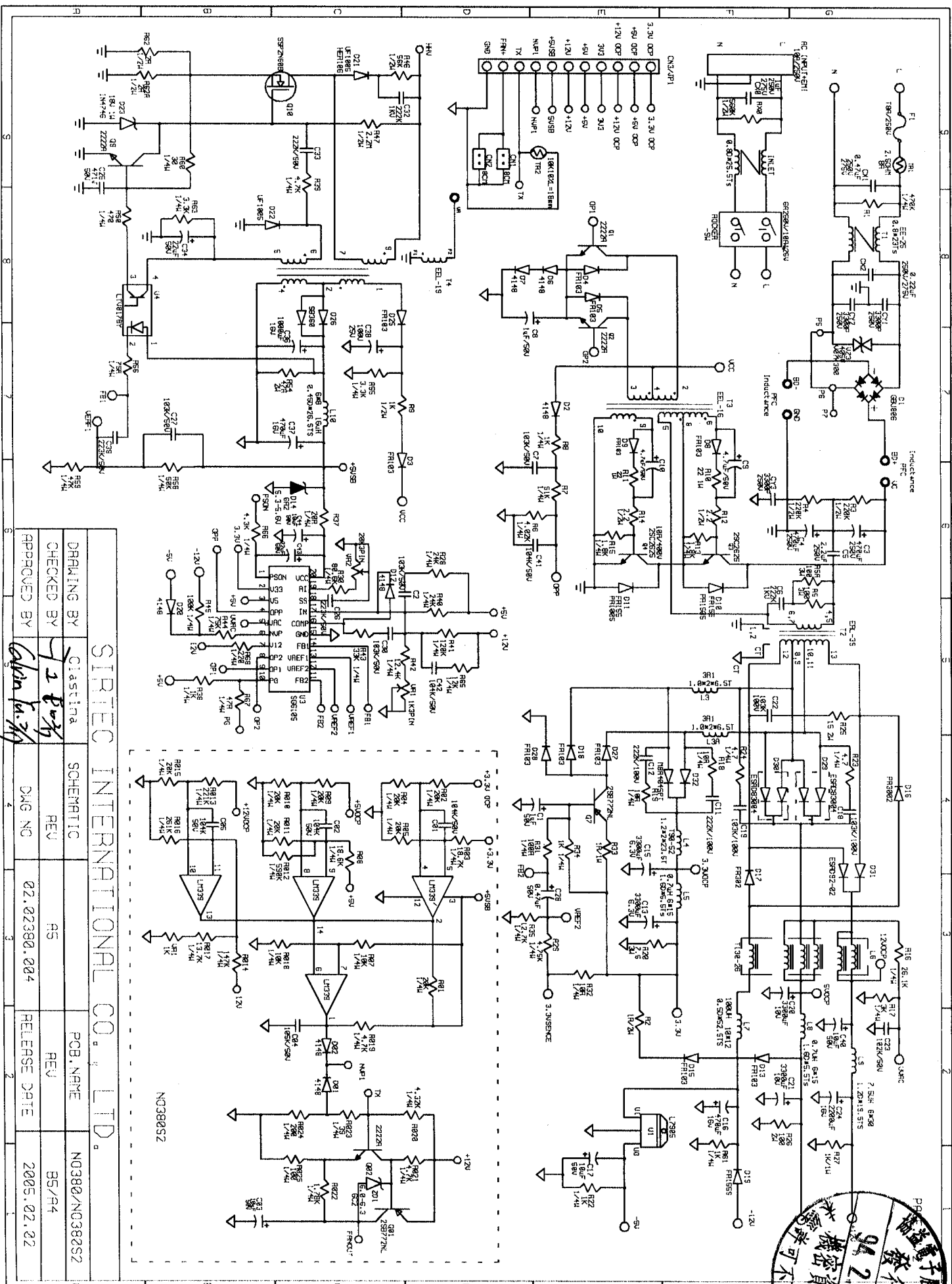
\* MANUFACTURER / 製造商 \*

**SIRTEC INTERNATIONAL CO., LTD.**

協益電子股份有限公司

ADDRESS/地址：台北市內湖區基湖路 35 巷 49 號 3 樓

PHONE : 886-2-2659-2535 FAX : 886-2-2659-2265

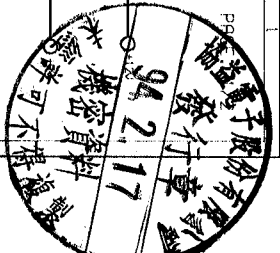


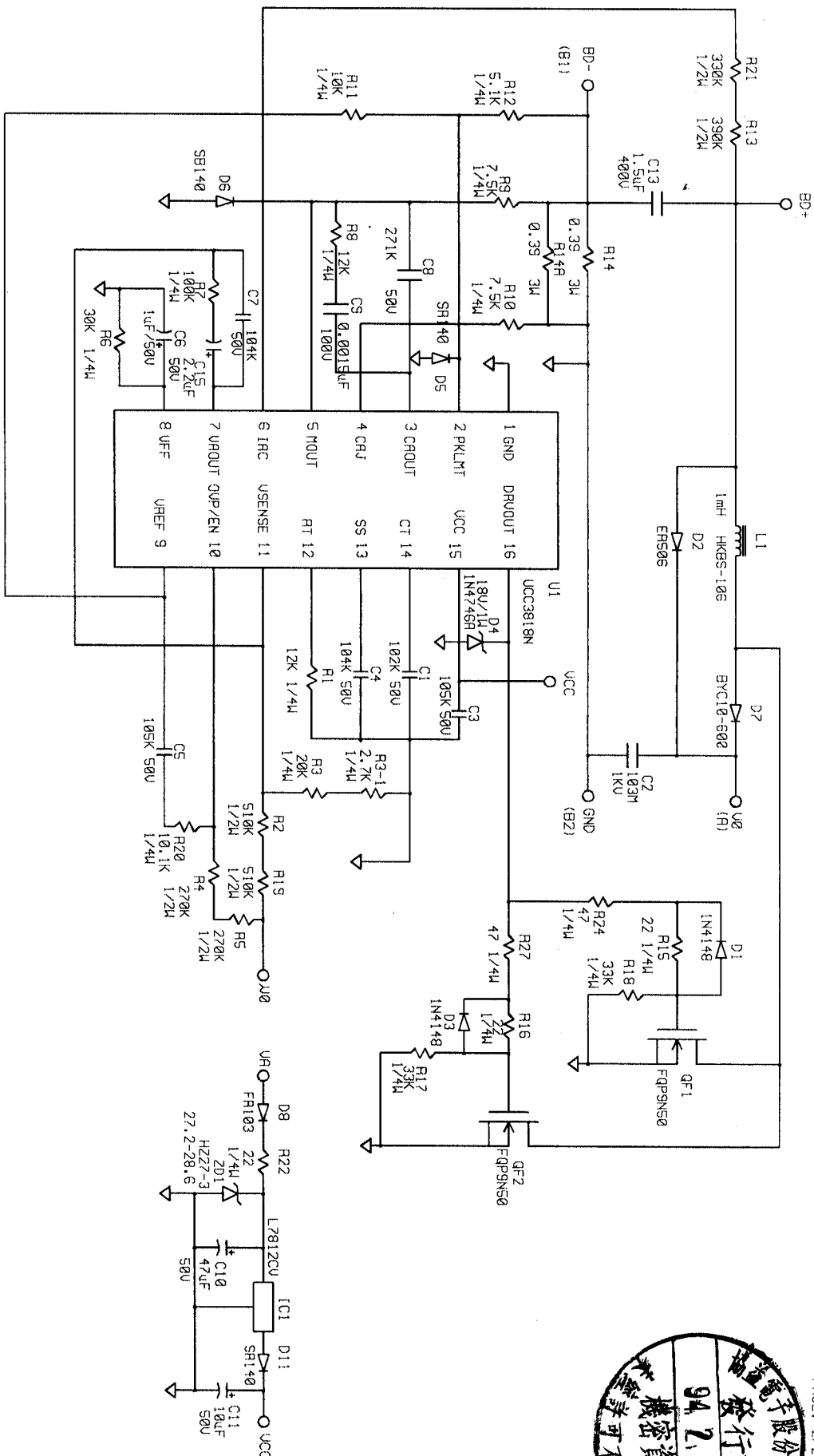
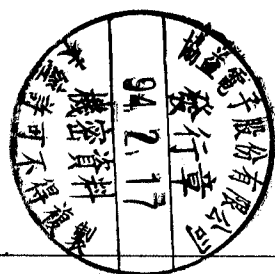
SIRTEC INTERNATIONAL CO., LTD.

DRIVING BY CISTINA SCHEMATIC REV AS PCB NAME NO380/NO380S2

CHECKED BY J. B. REV REV BS/R4

APPROVED BY *Alpha* DWG NO. 02.02380.004 RELEASE DATE 2005.02.22





SIRTEC INTERNATIONAL CO., LTD.

DRAWING BY		SCHEMATIC		PCB. NAME	
CHECKED BY		REV		REV	
APPROVED BY		DWG NO		RELEASE DATE	
Clantina		02.02380.024		2005.02.02	
V2 8/3/07		AS		R1	
Calvin L. H.					