

SPECIFICATION FOR APPROVAL

Customer :

協益歐洲



MODEL NAME: HPC-360-302 DF REV:C0

PART NO: 91.36032.B04

ISSUE DATE : 2005.02.17

Customer Approval

Approved By :	Checked By :

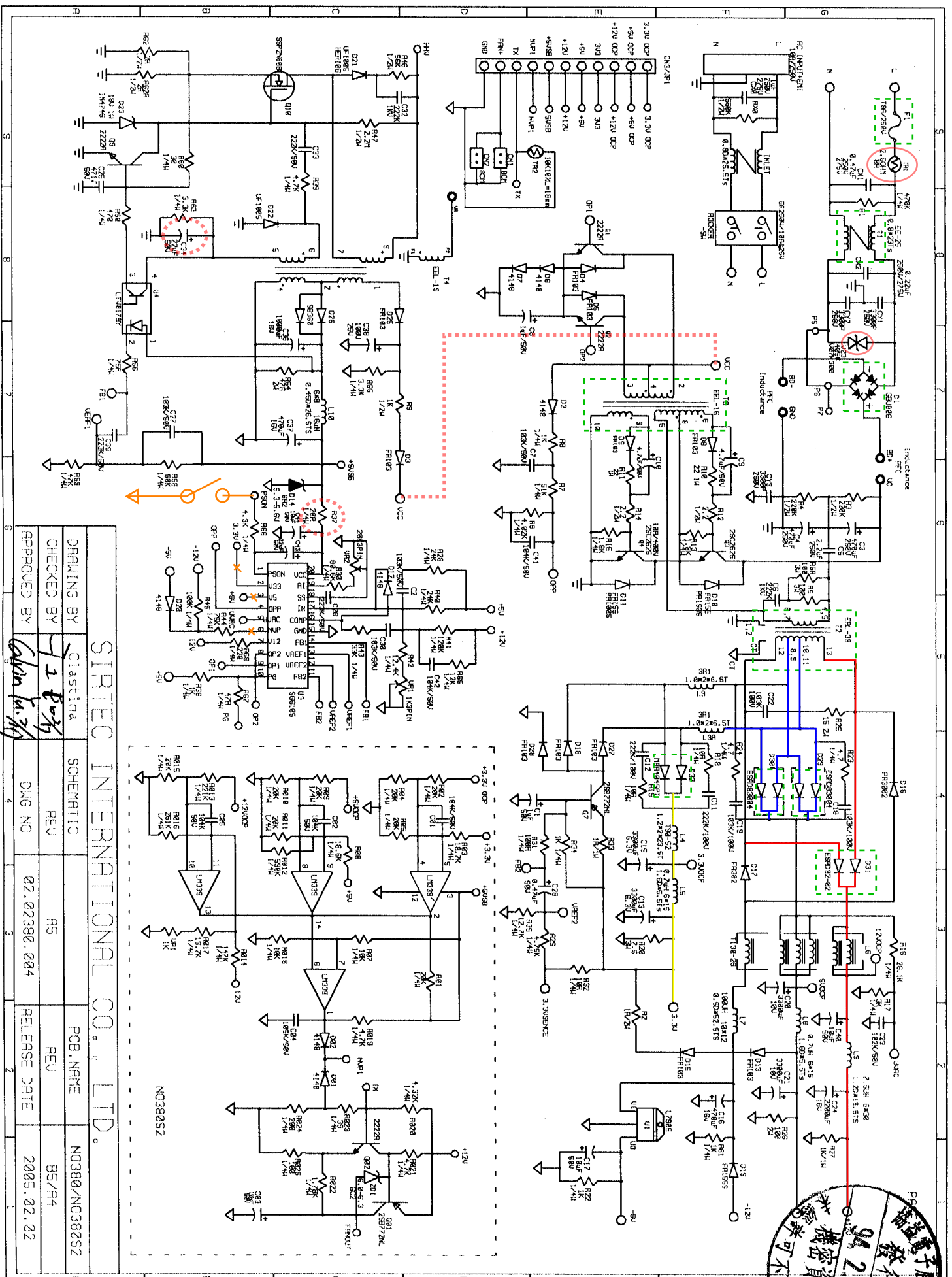
* MANUFACTURER / 製造商 *

SIRTEC INTERNATIONAL CO., LTD.

協益電子股份有限公司

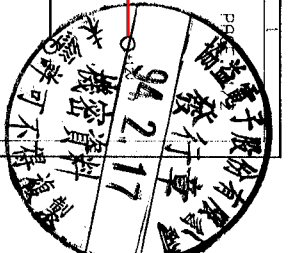
ADDRESS/地址：台北市內湖區基湖路 35 巷 49 號 3 樓

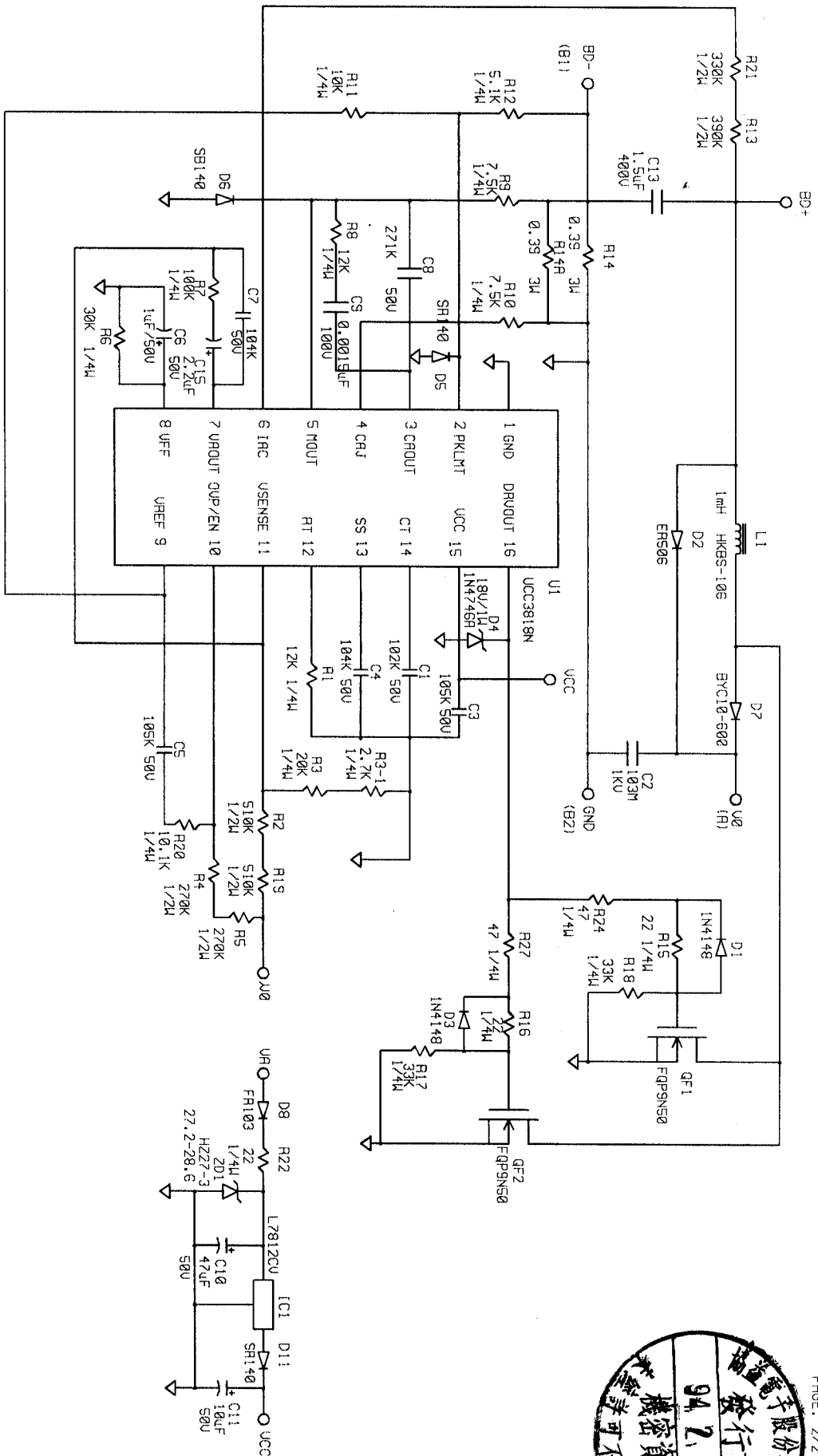
PHONE : 886-2-2659-2535 FAX : 886-2-2659-2265



SIRTEC INTERNATIONAL CO., LTD.

DRAWING BY	GIUSTINA	SCHEMATIC	REV	AS	PCB NAME	N0380/N0380S2
CHECKED BY	J. B. J.	REV			REV	BS/R4
APPROVED BY	Capin L. J.	DWG NO	02.02380.004	RELEASE DATE		2005.02.22





SIRTEC INTERNATIONAL CO., LTD.

SIRTEC INTERNATIONAL CO., LTD.			
DRMNING BY	Clastina	SCHEMATIC	PCB. NAME
CHECKED BY	<i>V2 8/3/97</i>	REV	NO357-1
APPROVED BY	<i>Calvin Lu, 3/97</i>	REV	REU
DWG NO	02.02380.024	REV	AS
RELEASE DATE	2005.02.02	REV	R1