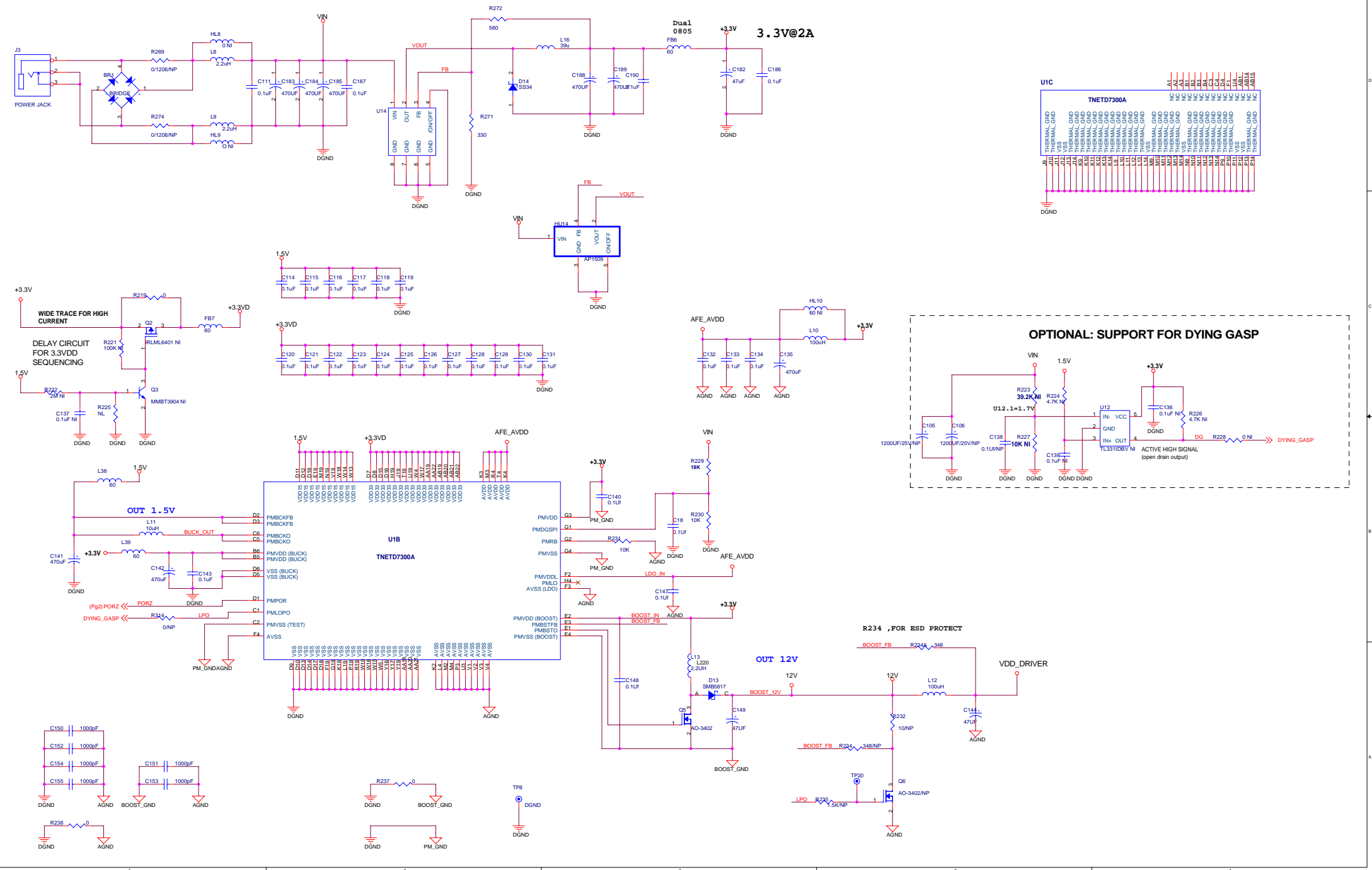


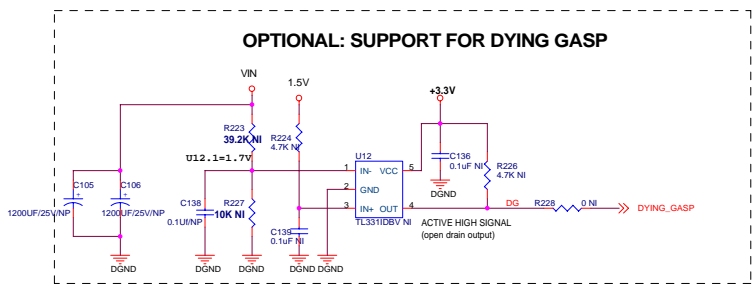
# WALL BRICK INPUT AC12V/800mA

WIDE TRACE FOR HIGH CURRENT

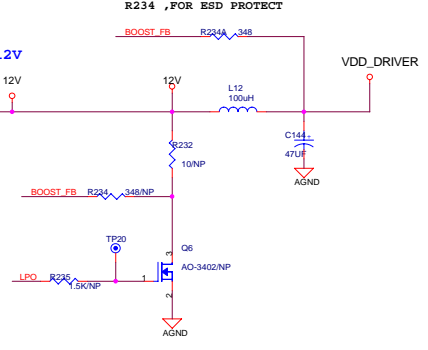


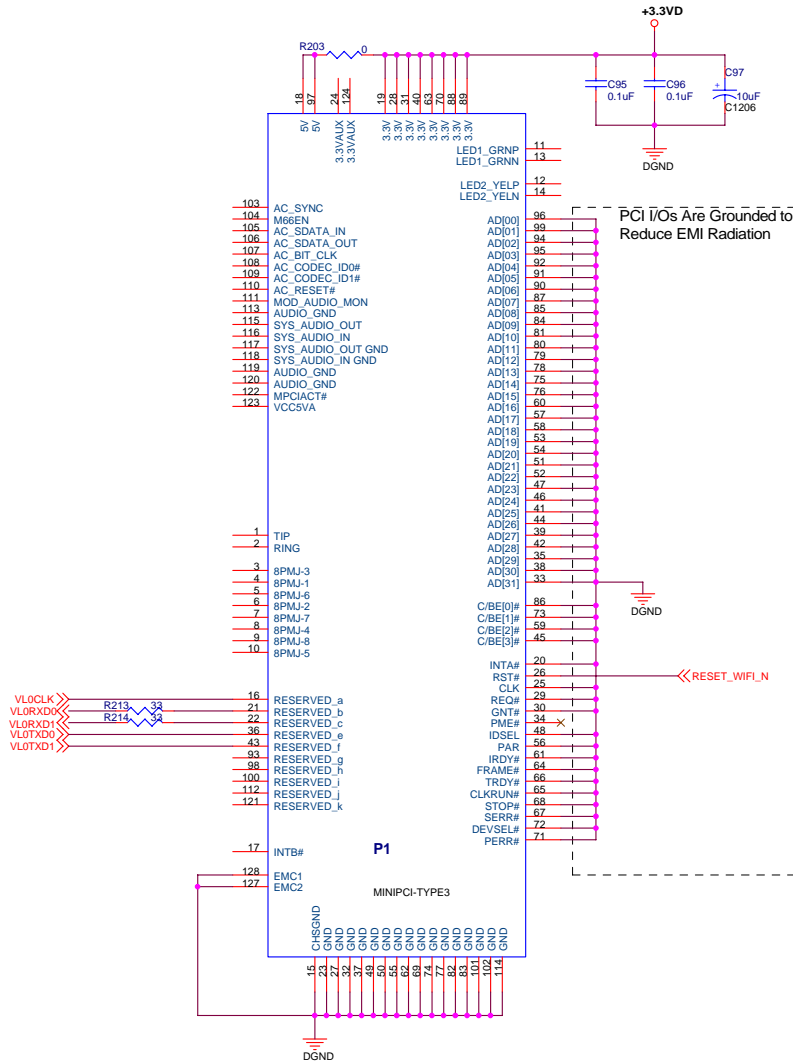
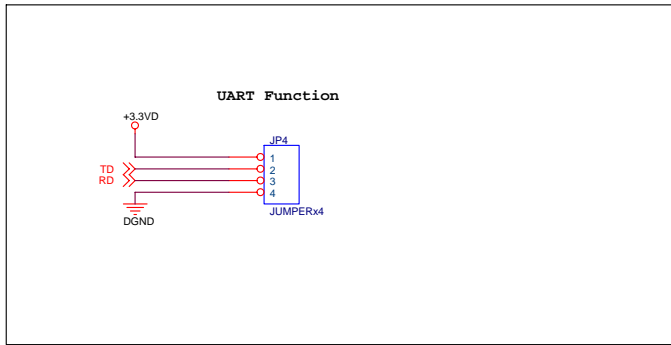
Pin	Label
1	INTERNAL_GND
2	INTERNAL_GND
3	INTERNAL_GND
4	INTERNAL_GND
5	INTERNAL_GND
6	INTERNAL_GND
7	INTERNAL_GND
8	INTERNAL_GND
9	INTERNAL_GND
10	INTERNAL_GND
11	INTERNAL_GND
12	INTERNAL_GND
13	INTERNAL_GND
14	INTERNAL_GND
15	INTERNAL_GND
16	INTERNAL_GND
17	INTERNAL_GND
18	INTERNAL_GND
19	INTERNAL_GND
20	INTERNAL_GND
21	INTERNAL_GND
22	INTERNAL_GND
23	INTERNAL_GND
24	INTERNAL_GND
25	INTERNAL_GND
26	INTERNAL_GND
27	INTERNAL_GND
28	INTERNAL_GND
29	INTERNAL_GND
30	INTERNAL_GND
31	INTERNAL_GND
32	INTERNAL_GND
33	INTERNAL_GND
34	INTERNAL_GND
35	INTERNAL_GND
36	INTERNAL_GND
37	INTERNAL_GND
38	INTERNAL_GND
39	INTERNAL_GND
40	INTERNAL_GND
41	INTERNAL_GND
42	INTERNAL_GND
43	INTERNAL_GND
44	INTERNAL_GND
45	INTERNAL_GND
46	INTERNAL_GND
47	INTERNAL_GND
48	INTERNAL_GND
49	INTERNAL_GND
50	INTERNAL_GND
51	INTERNAL_GND
52	INTERNAL_GND
53	INTERNAL_GND
54	INTERNAL_GND
55	INTERNAL_GND
56	INTERNAL_GND
57	INTERNAL_GND
58	INTERNAL_GND
59	INTERNAL_GND
60	INTERNAL_GND
61	INTERNAL_GND
62	INTERNAL_GND
63	INTERNAL_GND
64	INTERNAL_GND
65	INTERNAL_GND
66	INTERNAL_GND
67	INTERNAL_GND
68	INTERNAL_GND
69	INTERNAL_GND
70	INTERNAL_GND
71	INTERNAL_GND
72	INTERNAL_GND
73	INTERNAL_GND
74	INTERNAL_GND
75	INTERNAL_GND
76	INTERNAL_GND
77	INTERNAL_GND
78	INTERNAL_GND
79	INTERNAL_GND
80	INTERNAL_GND
81	INTERNAL_GND
82	INTERNAL_GND
83	INTERNAL_GND
84	INTERNAL_GND
85	INTERNAL_GND
86	INTERNAL_GND
87	INTERNAL_GND
88	INTERNAL_GND
89	INTERNAL_GND
90	INTERNAL_GND
91	INTERNAL_GND
92	INTERNAL_GND
93	INTERNAL_GND
94	INTERNAL_GND
95	INTERNAL_GND
96	INTERNAL_GND
97	INTERNAL_GND
98	INTERNAL_GND
99	INTERNAL_GND
100	INTERNAL_GND

## OPTIONAL: SUPPORT FOR DYING GASP

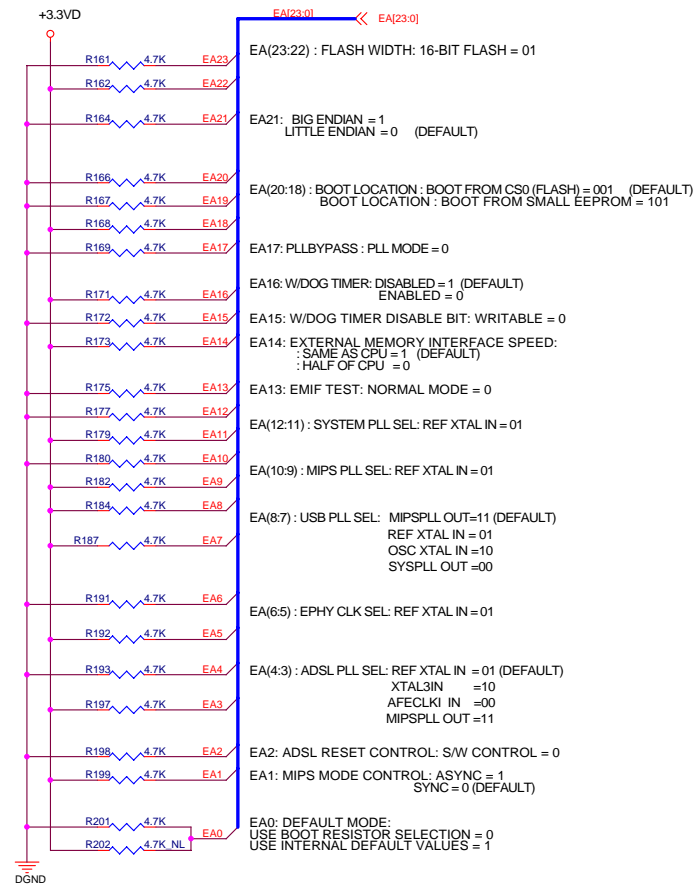


## R234, FOR ESD PROTECT

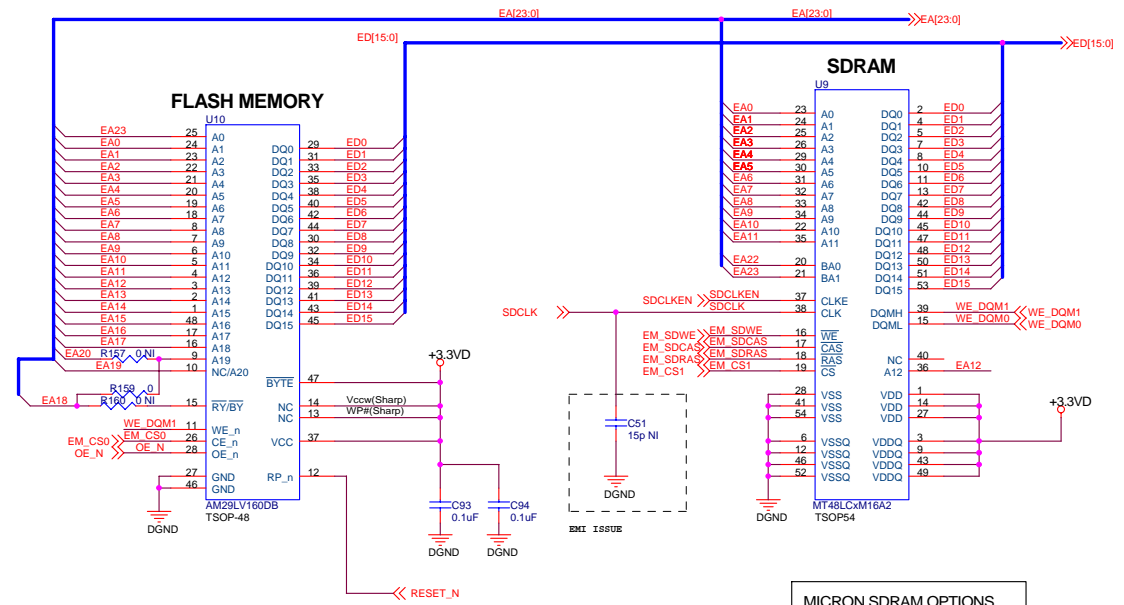




# ONLY FOR TNETD7300A/NSP350 BOOT CONFIGURATION



- EA(23:22) : FLASH WIDTH: 16-BIT FLASH = 01
- EA21: BIG ENDIAN = 1  
LITTLE ENDIAN = 0 (DEFAULT)
- EA(20:18) : BOOT LOCATION : BOOT FROM CS0 (FLASH) = 001 (DEFAULT)  
BOOT LOCATION : BOOT FROM SMALL EEPROM = 101
- EA17: PLLBYPASS : PLL MODE = 0
- EA16: WDOG TIMER: DISABLED = 1 (DEFAULT)  
ENABLED = 0
- EA15: W/DOG TIMER DISABLE BIT: WRITABLE = 0
- EA14: EXTERNAL MEMORY INTERFACE SPEED:  
: SAME AS CPU = 1 (DEFAULT)  
: HALF OF CPU = 0
- EA13: EMIF TEST: NORMAL MODE = 0
- EA(12:11) : SYSTEM PLL SEL: REF XTAL IN = 01
- EA(10:9) : MIPS PLL SEL: REF XTAL IN = 01
- EA(8:7) : USB PLL SEL: MIPSPLL OUT = 11 (DEFAULT)  
REF XTAL IN = 01  
OSC XTAL IN = 10  
SYSPLL OUT = 00
- EA(6:5) : EPHY CLK SEL: REF XTAL IN = 01
- EA(4:3) : ADSL PLL SEL: REF XTAL IN = 01 (DEFAULT)  
XTAL3IN = 10  
AFCLKI IN = 00  
MIPSPLL OUT = 11
- EA2: ADSL RESET CONTROL: S/W CONTROL = 0
- EA1: MIPS MODE CONTROL: ASYNC = 1  
SYNC = 0 (DEFAULT)
- EA0: DEFAULT MODE:  
USE BOOT RESISTOR SELECTION = 0  
USE INTERNAL DEFAULT VALUES = 1



**IF USE 4MX16**  
**INSTALL R157,R160**  
**REMOVE R59**

**FLASH MEMORY**

4MX16: AMD AM29LV64D  
 =====

2MX16 : AMD AM29LV320D  
 =====

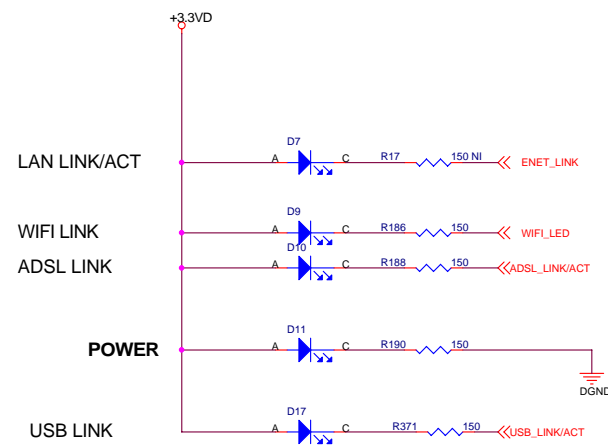
1MX16  
 =====

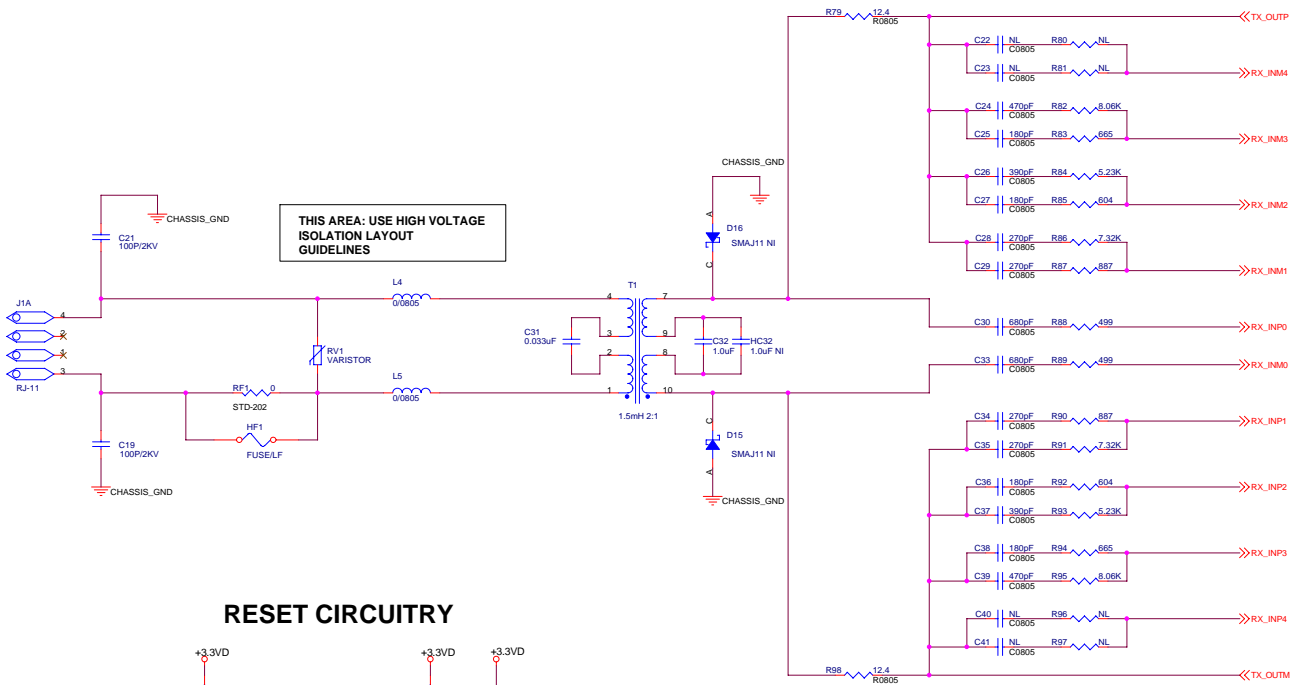
AMD AM29LV160DB-120EC  
 SST SST39VF160-90-4C-EK  
 TOSHIBA TC58FVB160FT-12  
 FUJITSU MBM29LV160BE-12  
 SHARP LH28F160BJE-BTL90

512KX16 : AMD AM29LV800  
 =====

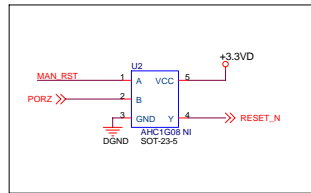
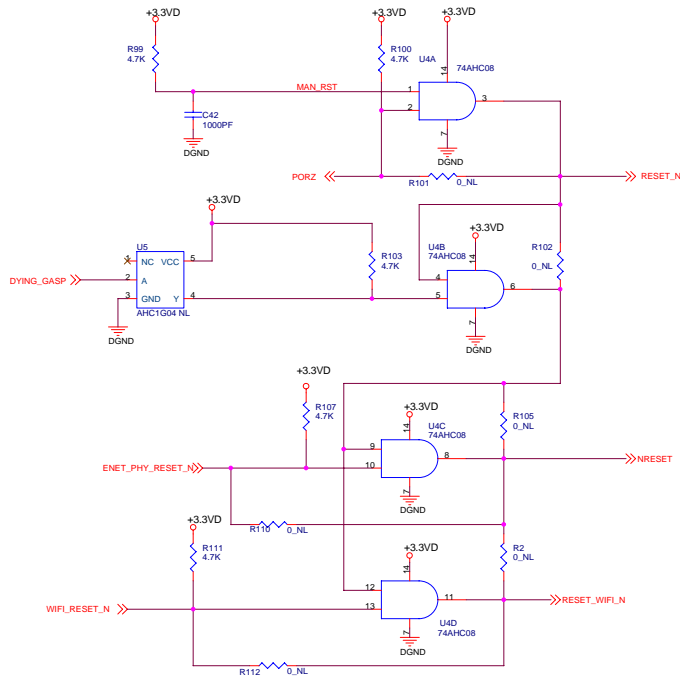
**MICRON SDRAM OPTIONS**  
 =====

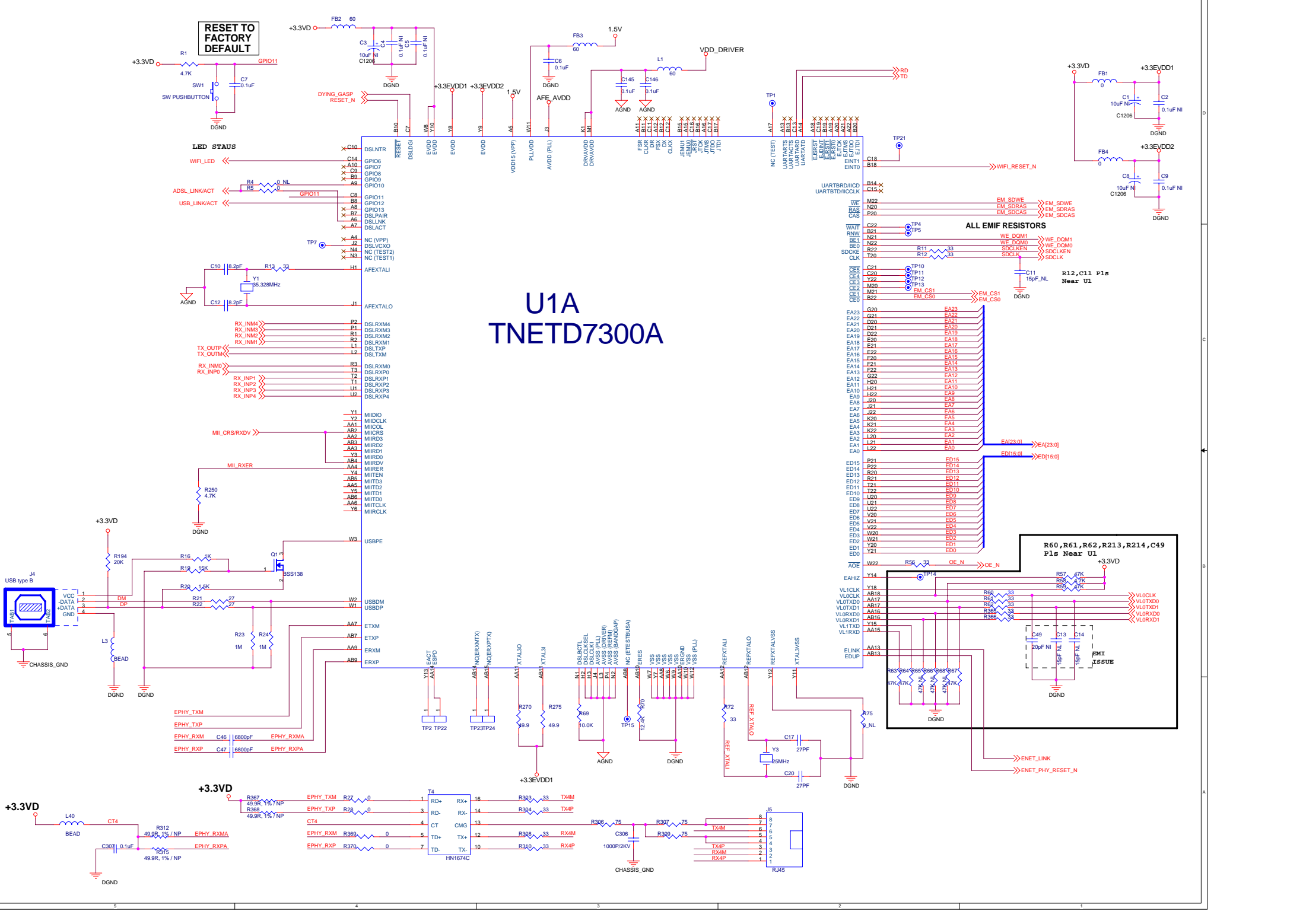
4Mx16 => MT48LC4M16A2  
 8Mx16 => MT48LC8M16A2  
 16Mx16 => MT48LC16M16A2  
 32Mx16 => MT48LC32M16A2





### RESET CIRCUITRY





# U1A TNETD7300A

R60, R61, R62, R213, R214, C49  
Pls Near U1

RMI  
ISSUE