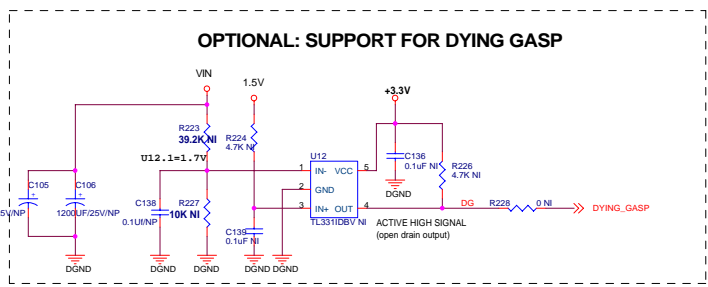
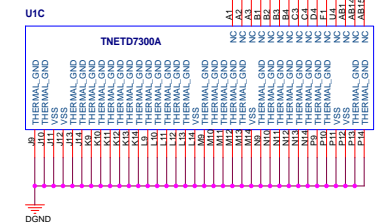
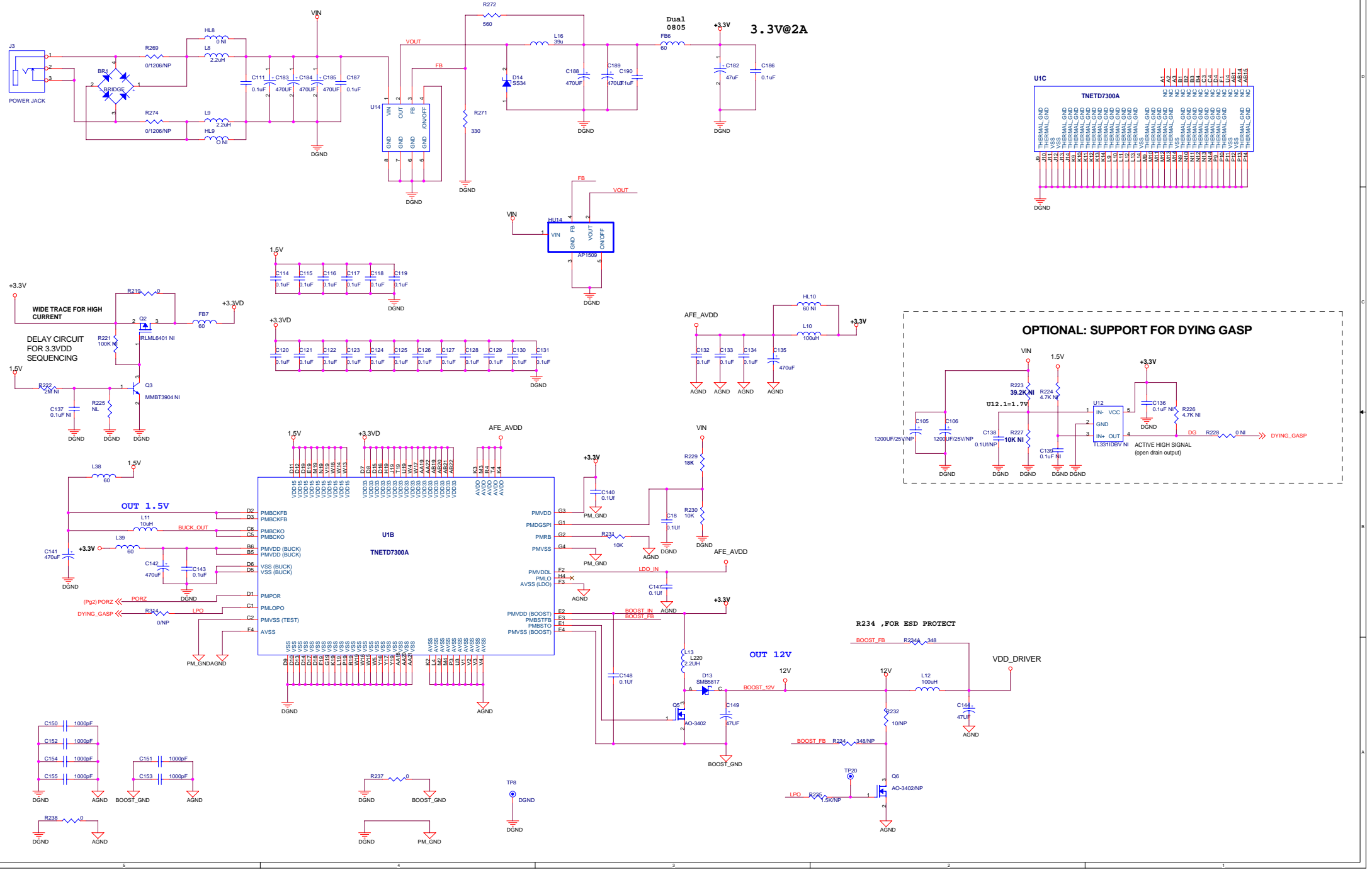


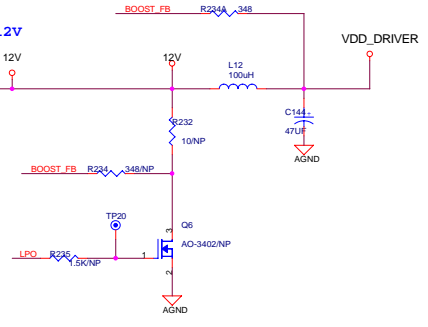
**WALL BRICK INPUT
AC12V/800mA**

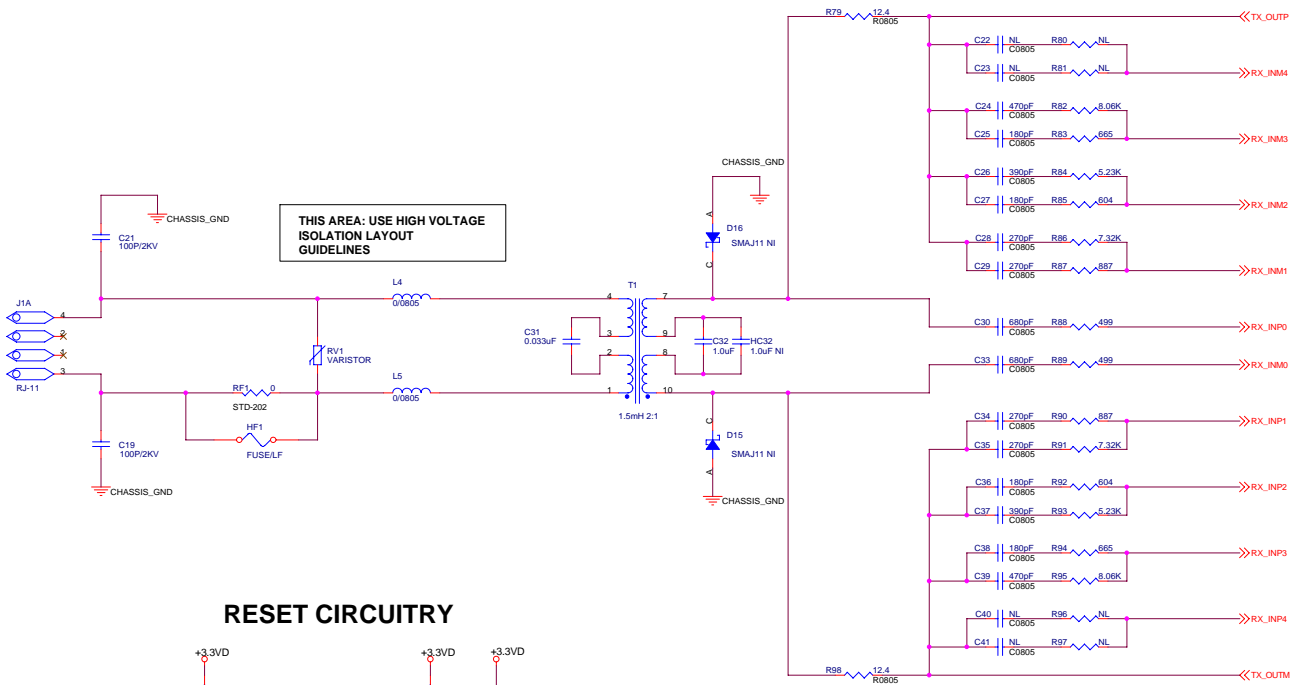
WIDE TRACE FOR HIGH CURRENT



OPTIONAL: SUPPORT FOR DYING GASP

R234 ,FOR ESD PROTECT





RESET CIRCUITRY

