

Preface

Copyright

This publication, including all photographs, illustrations and software, is protected under international copyright laws, with all rights reserved. Neither this manual, nor any of the material contained herein, may be reproduced without written consent of the author.

Version 1.0

Disclaimer

The information in this document is subject to change without notice. The manufacturer makes no representations or warranties with respect to the contents hereof and specifically disclaims any implied warranties of merchantability or fitness for any particular purpose. The manufacturer reserves the right to revise this publication and to make changes from time to time in the content hereof without obligation of the manufacturer to notify any person of such revision or changes.

Trademark Recognition

Microsoft, MS-DOS and Windows are registered trademarks of Microsoft Corp.

MMX, Pentium, Pentium-II, Pentium-III, Celeron are registered trademarks of Intel Corporation.

Other product names used in this manual are the properties of their respective owners and are acknowledged.

Federal Communications Commission (FCC)

This equipment has been tested and found to comply with the limits for a Class B digital device, pursuant to Part 15 of the FCC Rules. These limits are designed to provide reasonable protection against harmful interference in a residential installation. This equipment generates, uses, and can radiate radio frequency energy and, if not installed and used in accordance with the instructions, may cause harmful interference to radio communications. However, there is no guarantee that interference will not occur in a particular installation. If this equipment does cause harmful interference to radio or television reception, which can be determined by turning the equipment off and on, the user is encouraged to try to correct the interference by one or more of the following measures:

- Reorient or relocate the receiving antenna.
- Increase the separation between the equipment and the receiver.
- Connect the equipment onto an outlet on a circuit different from that to which the receiver is connected.
- Consult the dealer or an experienced radio/TV technician for help.

Shielded interconnect cables and a shielded AC power cable must be employed with this equipment to ensure compliance with the pertinent RF emission limits governing this device. Changes or modifications not expressly approved by the system's manufacturer could void the user's authority to operate the equipment.

Declaration of Conformity

This device complies with part 15 of the FCC rules. Operation is subject to the following conditions:

- This device may not cause harmful interference, and
- This device must accept any interference received, including interference that may cause undesired operation.

Canadian Department of Communications

This class B digital apparatus meets all requirements of the Canadian Interference-causing Equipment Regulations.

Cet appareil numérique de la classe B respecte toutes les exigences du Règlement sur le matériel brouilleur du Canada.

About the Manual

The manual consists of the following:

Chapter 1 Introducing the Mainboard	Describes features of the mainboard, and provides a shipping checklist. Go to ⇒ page 1
Chapter 2 Installing the Mainboard	Describes installation of mainboard components. Go to ⇒ page 7
Chapter 3 Using BIOS	Provides information on using the BIOS Setup Utility. Go to ⇒ page 34
Chapter 4 Using the Mainboard Software	Describes the mainboard software. Go to ⇒ page 65
Appendix A Setting Jumpers	Provides a reference to the jumpers on the mainboard. Go to ⇒ page 72

TABLE OF CONTENTS

Preface	i
CHAPTER 1	1
Introducing the Mainboard	1
<i>Introduction</i>	1
<i>Checklist</i>	1
Standard Items	1
<i>Features</i>	2
<i>Mainboard Components</i>	4
<i>Choosing a Computer Case</i>	6
CHAPTER 2	7
Installing the Mainboard	7
<i>Safety Precautions</i>	7
<i>Quick Guide</i>	8
<i>Checking Jumper Settings</i>	9
Setting Jumpers	9
Checking Jumper Settings	10
Jumper Settings	11
<i>Installing the Mainboard in a Case</i>	13
<i>Connecting Case Components</i>	14
The Panel and LPanel Connectors	15
<i>Installing Hardware</i>	16
Installing the Processor.....	16
Install Memory Modules	19
Installing a Hard Disk Drive/CD-ROM	21
Installing a Floppy Diskette Drive	24
Installing Add-on Cards	25
Connecting Optional Devices	27
<i>Connecting I/O Devices</i>	32
External Connector Color Coding	33
CHAPTER 3	34
Using BIOS	34
<i>About the Setup Utility</i>	34
The Standard Configuration	35
Entering the Setup Utility	36
Updating the BIOS	37
<i>Using BIOS</i>	38

Standard CMOS Features	38
Advanced BIOS Setup Option.....	41
Advanced Chipset Features Option.....	45
Integrated Peripherals Option	48
Power Management Setup Option.....	53
PNP/PCI Configuration Option	58
Frequency/Voltage Control.....	61
Load Fail-Safe Defaults Option.....	62
Load Optimized Defaults Option	62
Set Password Option.....	63
Save & Exit Setup Option.....	64
Exit Without Saving.....	64

CHAPTER 4 **65**

Using the Mainboard Software	65
<i>About the Software CD-ROM</i>	65
<i>Auto-installing under Windows 98</i>	66
<i>Manual Installation</i>	69
<i>Utility Software Reference</i>	69

APPENDIX A **72**

Setting Jumpers	72
Jumper Settings	72
The Panel and LPanel Connectors	74

Chapter 1

Introducing the Mainboard

Introduction

Congratulations on purchasing the K7S6A mainboard. The K7S6A mainboard is an ATX mainboard that uses a 4-layer printed circuit board and measures 220 mm x 304 mm. The mainboard features a Socket 462 that accommodates AMD Athlon/Duron processors supporting frontside bus (FSB) speeds up to 100/133 MHz.

The K7S6A incorporates the SiS745 Northbridge and Southbridge chipsets which combine support for the new high-bandwidth Double Data Rate (DDR) 333 SDRAM, and the AC 97 audio codec.

Note: SDRAM provides 800 MB/s or 1 GB/s data transfer depending on whether the bus is 100 MHz or 133 MHz. Double Data Rate SDRAM (DDR SDRAM) doubles the rate to 1.6 GB/s or 2.1 GB/s or 2.7 GB/s by transferring data on both the rising and falling edges of the clock. DDR SDRAM uses additional power and ground lines and requires 184-pin DIMM modules rather than the 168-pin DIMMs used by SDRAM.

Checklist

Compare the mainboard's package contents with the following checklists:

Standard Items

- One mainboard
- One diskette drive ribbon cable
- One IDE drive ribbon cable
- One auto-install software support CD
- This user's manual

Features

Processor	<p>The K7S6A mainboard uses an AMD 462-pin Socket A that has the following features:</p> <ul style="list-style-type: none">• Supports 100/133 MHz frontside bus (FSB)• Accommodates AMD Athlon/Duron processors
Chipset	<p>The SiS745 Northbridge and Southbridge chipsets are based on an innovative and scalable architecture with proven reliability and performance. A few of the chipset's advanced features are:</p> <ul style="list-style-type: none">• A low 2.5-volt DDR266 SDRAM power consumption which makes it an excellent solution for notebooks and desktops with a small footprint• Support for a 4xAGP interface providing vivid 3D graphics and video performance• An ATA 100 interface on the chipset, which helps boost system performance by providing a high-speed connection to ATA 100 Hard Disk Drives, delivering maximum sustained data transfer rates of 100 MB/sec• Built-in multithreaded I/O link used to enhance performance, providing enough I/O bandwidth for throughput up to 1.2 GB/s <p>Additional key features include support for six USB ports, an AC 97 link for audio and modem, hardware monitoring, and ACPI/OnNow power management.</p>
Memory	<p>The mainboard supports DDR SDRAM. It accommodates three unbuffered 2.5V 184 pin slots. Each slot can support up to 512 MB with a total maximum capacity of 1.0 GB (2 unbuffered DDR333 DIMM) or 1.5GB (3 unbuffered DDR266/DDR200 DIMM).</p>
VGA	<p>The K7S6A includes a 4xAGP slot that provides four times the bandwidth of the original AGP specification. AGP technology provides a direct connection between the graphics sub-system and the processor so that the graphics do not have to compete for processor time with other devices on the PCI bus.</p>

AC' 97 Audio Codec	The AC' 97 Audio codec is compliant with the AC' 97 2.1 specification, and supports 18-bit ADC (Analog Digital Converter) and DAC (Digital Analog Converter) resolution as well as 18-bit stereo full-duplex codec with independent and variable sampling rates. Further features include support for four analog line-level stereo inputs.
Expansion Options	<p>The mainboard comes with the following expansion options:</p> <ul style="list-style-type: none"> • Five 32-bit PCI slots • A 4xAGP slot • A Communications Network Riser (CNR) slot (AC97 interface only) • Two IDE channels and a floppy disk drive interface <p>The K7S6A supports Ultra DMA bus mastering with transfer rates of 33/66/100 MB/sec.</p>
Integrated I/O	<p>The mainboard has a full set of I/O ports and connectors:</p> <ul style="list-style-type: none"> • Two PS/2 ports for mouse and keyboard • Two serial ports • One parallel port • One MIDI/game port • Two USB ports • Audio jacks for microphone, line-in and line-out
BIOS Firmware	<p>This mainboard uses Award BIOS that enables users to configure many system features including the following:</p> <ul style="list-style-type: none"> • Power management • Wake-up alarms • CPU parameters • CPU and memory timing <p>The firmware can also be used to set parameters for different processor clock speeds.</p>

Mainboard Components

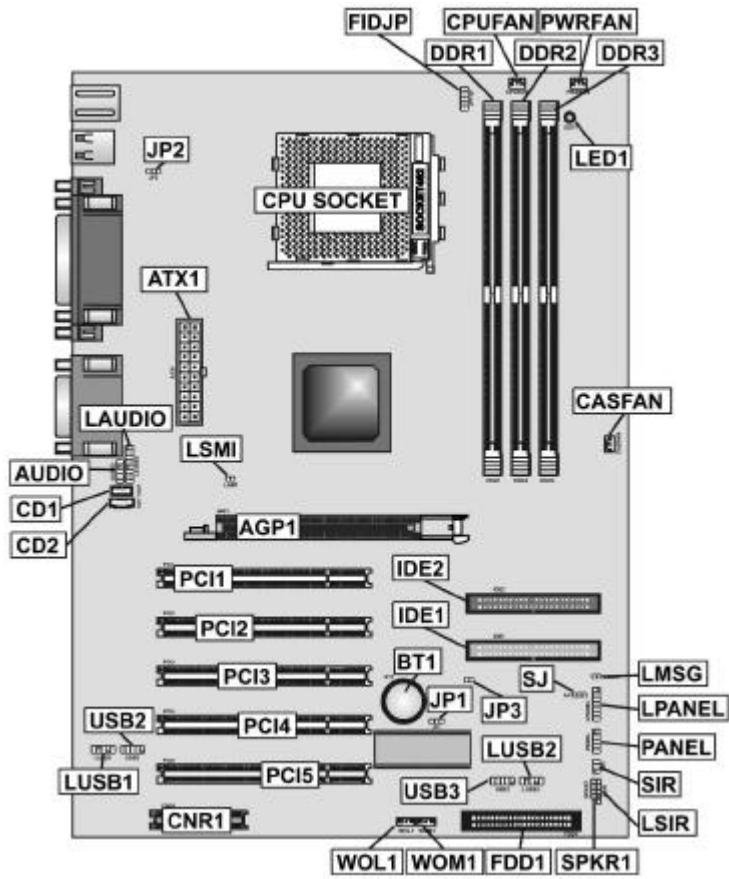


Table of Mainboard Components

Label	Component
AGP1	Accelerated Graphics Port
ATX1	Power connector
AUDIO	Front Audio Connector
BT1	Three volt realtime clock battery
CASEFAN	Case Fan header
CD1	Primary CD-in connector
CD2	Secondary CD-in connector
CNR1	Communications Networking Riser slot
CPU1	Socket A for AMD Athlon/Duron CPUs
CPUFAN	Cooling fan for CPU
DDR1-DDR3	Three 184 pin DDR SDRAM
FDD1	Floppy disk drive connector
FIDJP	CPU ratio select jumper
IDE 1	Primary IDE channel
IDE 2	Secondary IDE channel
SIR	Infrared cable header
JP1	Clear CMOS jumper
JP2	KB wake-up function header
JP3	BIOS protection jumper
LED1 ¹	Memory module LED
LAUDIO	MIC/Speaker-out connector
LSIR	Serial infrared port
LPANEL	Connector for case front panel switches and LED indicators
LUSB1/LUSB2	Connector for front panel USB ports
LMSG	Message LED header
LSMI	MSG LED header
PANEL	Connector for case front panel switches and LED indicators
PCI1 ~ PCI5	Five 32-bit add-on card slots
PWRFAN	Power Fan connector
SJ	Single LED header
SPKR1	Speaker connector
USB2/USB3	Front panel USB headers
WOL1	Wake On LAN wakeup connector
WOM1	Wake On Modem wakeup connector

¹ The red indicator LED1 turns on if your system is still powered, at which time memory modules cannot be installed or uninstalled.

Choosing a Computer Case

There are many types of computer cases on the market. The mainboard complies with the specifications for the ATX system case. Some features on the mainboard are implemented by cabling connectors on the mainboard to indicators and switches on the system case. Ensure that your case supports all the features required. The mainboard can support one or two floppy diskette drives and four enhanced IDE drives. Ensure that your case has sufficient power and space for all the drives that you intend to install.

Most cases have a choice of I/O templates in the rear panel. Make sure that the I/O template in the case matches the I/O ports installed on the rear edge of the mainboard.

This mainboard has an ATX form factor of 220 x 304 mm. Choose a case that accommodates this form factor.

This concludes Chapter 1. Chapter 2 explains how to install the mainboard.

Chapter 2

Installing the Mainboard

Safety Precautions

Follow these safety precautions when installing the mainboard:

- Wear a grounding strip attached to a grounded device to avoid damage from static electricity.
- Discharge static electricity by touching the metal case of a safely grounded object before working on the mainboard.
- Leave components in the static-proof bags they came in.
- Hold all circuit boards by the edges. Do not bend circuit boards.

Quick Guide

This Quick Guide suggests the steps you can take to build your system with the mainboards.

The following table describes installing specific components:

Locating Mainboard Components	Go to page 4
Installing Jumpers	Go to page 9
Installing the Mainboard in a Case	Go to page 13
Installing Case Components	Go to page 14
Installing the CPU	Go to page 16
Installing Memory	Go to page 19
Installing an HDD and CD-ROM Drive	Go to page 21
Installing an FDD	Go to page 24
Installing Add-on Cards	Go to page 25
Connecting Options	Go to page 27
Connecting Peripheral (I/O) Devices	Go to page 32

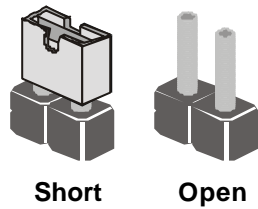
Note: The appendix provides a quick reference for jumper settings.

Checking Jumper Settings

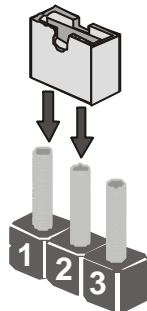
This section explains how to set jumpers for correct configuration of the mainboard.

Setting Jumpers

Use the mainboard jumpers to set system configuration options. Jumpers with more than one pin are numbered. When setting the jumpers, ensure that the jumper caps are placed on the correct pins.



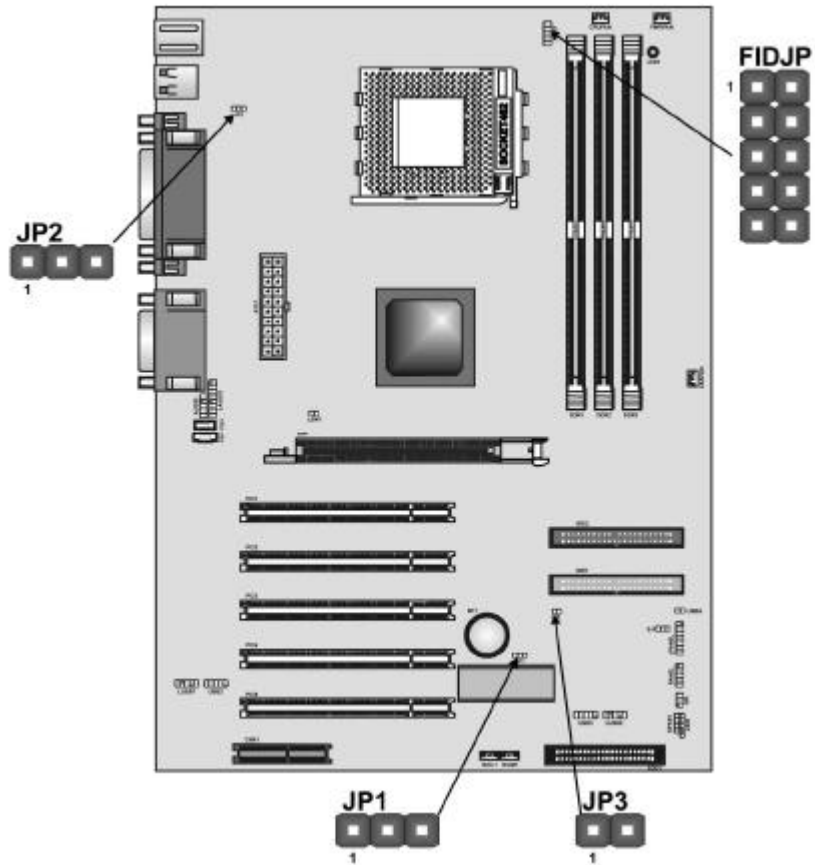
This illustration shows a 2-pin jumper. When the jumper cap is placed on both pins, the jumper is **SHORT**. If you remove the jumper cap, or place the jumper cap on just one pin, the jumper is **OPEN**.






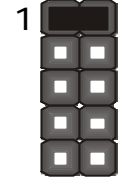
This illustration shows a 3-pin jumper. Pins 1 and 2 are **SHORT**.

Checking Jumper Settings

In the following illustration, pin 1 is shown.



Jumper Settings

Jumper	Type	Description	Setting (default)
JP1	3 pin	Clear CMOS	1-2: Normal 2-3: <i>Clear</i> JP1 1 
JP2	3 pin	KB wake-up function	1-2: Enable 2-3: <i>Disable</i> JP2 1 
JP3	2 pin	BIOS protection	Open: Disable <i>Short: Enable</i> JP3 1 
FIDJP	10 pin	CPU ratio selector	Refer to next page FIDJP 1 

JP1 Clear CMOS

Enables you to clear the BIOS:

1. Turn the system off.
2. Short pins 2 and 3 on jumper 1.
3. Return the jumper to the normal setting.
4. Turn the system on. The BIOS is returned to the default settings.

JP2 KB wake-up function

Enables you to wake-up the system by PS/2 keyboard.

JP3 BIOS protection

Enables you to prevent the BIOS from being up dated (flashed). Open the jumper if you are going to update your BIOS. After updating the BIOS, short the jumper to protect the BIOS from being flashed. For instructions on updating the BIOS refer to Chapter 3.

FIDJP CPU ratio selector

Enables you to set the CPU ratio. Please make sure that your CPU ratio can be adjusted.

1-2	3-4	5-6	7-8	9-10	Ratio
Short					By CPU
Open	Open	Open	Open	Open	10.5
Open	Open	Open	Open	Short	6.5
Open	Open	Open	Short	Open	8.5
Open	Open	Open	Short	Short	12.5 (higher)
Open	Open	Short	Open	Open	9.5
Open	Open	Short	Open	Short	5.5
Open	Open	Short	Short	Open	7.5
Open	Open	Short	Short	Short	11.5
Open	Short	Open	Open	Open	10.0
Open	Short	Open	Open	Short	6.0
Open	Short	Open	Short	Open	8.0
Open	Short	Open	Short	Short	12.0
Open	Short	Short	Open	Open	9.0
Open	Short	Short	Open	Short	5.0
Open	Short	Short	Short	Open	7.0
Open	Short	Short	Short	Short	11.0

Installing the Mainboard in a Case

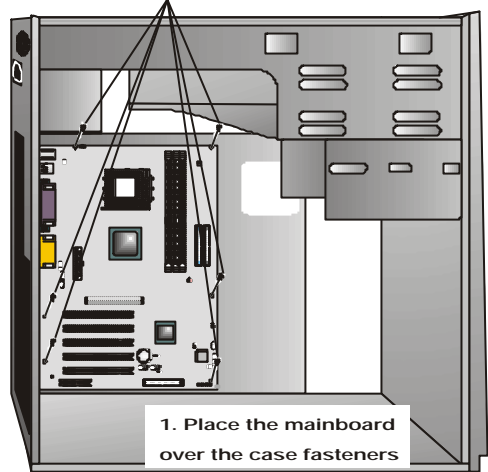
Refer to the following illustration and instructions for installing the mainboard in a case:

This illustration shows an example of a mainboard being installed in a tower-type case:

Note: Do not over-tighten the screws as this can stress the mainboard.

Most system cases have mounting brackets installed in the case, which correspond to the holes in the mainboard. Place the mainboard over the mounting brackets and secure the mainboard into the mounting brackets with the mounting brackets with screws.

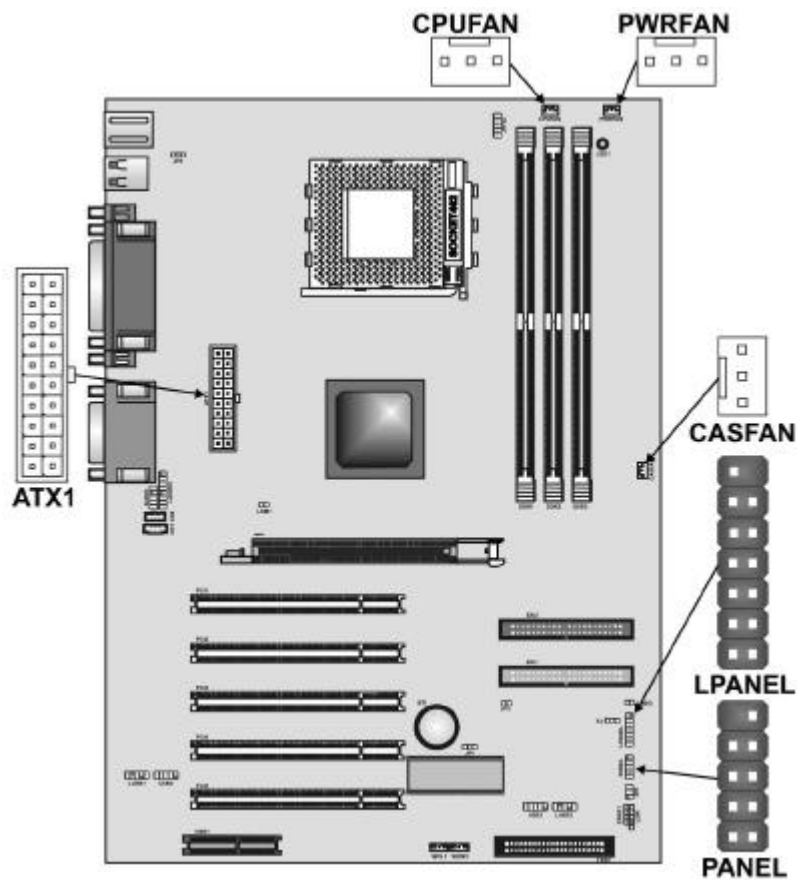
2. Secure the screws in the mainboard holes that align with the chassis holes



The mainboard has a set of I/O ports on the rear edge. Ensure that your case has an I/O template that supports the I/O ports and expansion slots.

Connecting Case Components

After you have installed the mainboard into a case, you can begin connecting the mainboard components. Refer to the following:



1. Connect the case power supply connector to ATX1.
2. Connect the CPU cooling fan cable to CPUFAN.
3. Connect the case cooling fan connector to either PWRFAN or CASFAN.

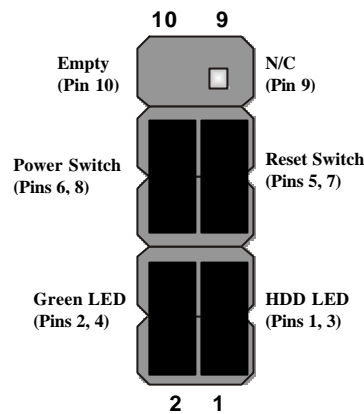
The following page explains how to make panel (PANEL/LPANEL) connections.

The Panel and LPanel Connectors

The panel connectors provide a set of switch and LED connectors found on ATX or Micro ATX cases. Select one from the two types of panel connector supported by this mainboard.

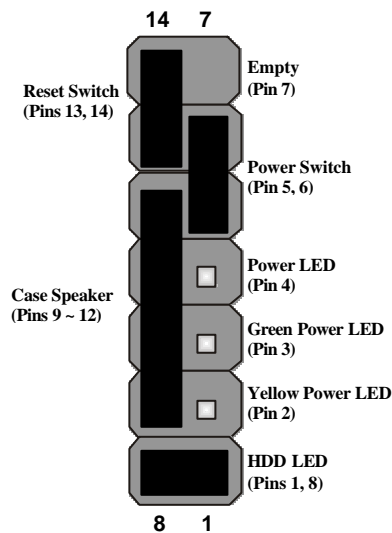
PANEL

Device	Pins
Empty	10
N/C	9
Power ON/OFF	6, 8
Reset Switch	5, 7
Green LED Indicator	2, 4
HDD LED	+1, -3



L PANEL

Device	Pins
Reset Switch	13, 14
Case Speaker	9 ~ 12
Power Switch	5, 6
Power LED	+4
Green Power LED	-3
Yellow Power LED	-2
HDD LED	+1, -8



Note: The plus sign (+) indicates a pin which must be connected to a positive voltage.

Installing Hardware

Installing the Processor

Caution: When installing a CPU heatsink and cooling fan make sure that you DO NOT scratch the mainboard or any of the surface-mount resistors with the clip of the cooling fan. If the clip of the cooling fan scrapes across the mainboard, you may cause serious damage to both the mainboard and the processor.

On most mainboards, there are small surface-mount resistors near the processor socket, which may be damaged if the cooling fan is carelessly installed.

Avoid using cooling fans with sharp edges on the fan casing and the clips. Also, install the cooling fan in a well-lit work area so that you can clearly see the mainboard and processor socket.

Before installing the Processor

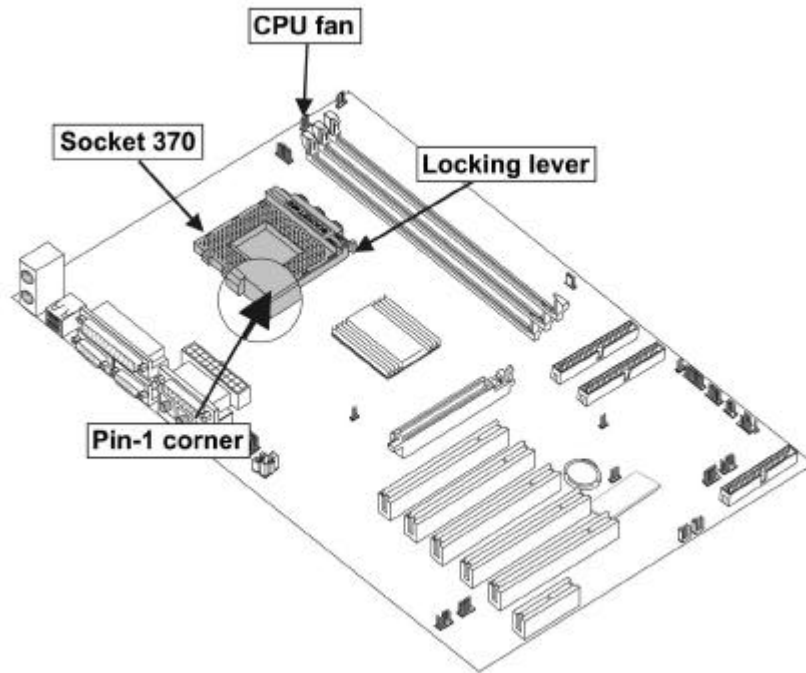
This mainboard automatically determines the CPU clock frequency and system bus frequency for processor. You may be able to change these automatic settings by changing the settings in the system Setup Utility. We strongly recommend that you do not overclock the mainboard to run processors or other components faster than their rated speed.

Warning: Overclocking components can adversely affect the reliability of the system and introduce errors into your system. Overclocking can permanently damage the mainboard by generating excess heat in components that are run beyond the rated limits.

This mainboard has a Socket 462 processor socket. When choosing a processor, consider the performance requirements of the system. Performance is based on the processor design, the clock speed and system bus frequency of the processor, and the quantity of internal cache memory and external cache memory.

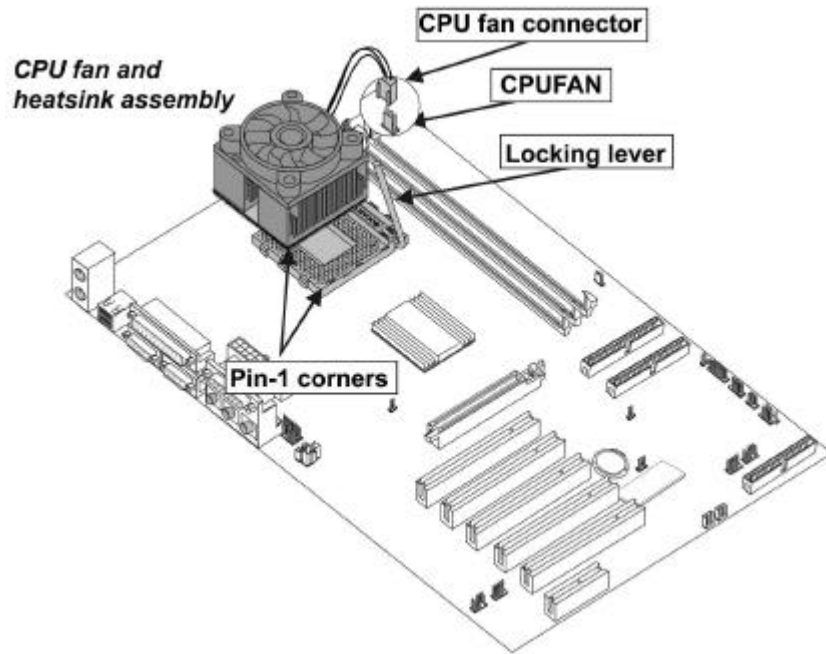
CPU Installation Procedure

The following illustration shows CPU installation components:



Follow these instructions to install the CPU:

1. Pull the CPU socket locking lever away from the socket to unhook it and raise the locking lever to the upright position.
2. Identify the pin A-1 corner on the CPU socket and the pin A-1 corner on the processor.
3. Match the pin A-1 corners and insert the processor into the socket. Do not use force.
4. Swing the locking lever down and hook it under the latch on the edge of the socket.
5. Apply thermal grease to the top of the CPU.



6. Lower the CPU fan/heatsink unit onto the CPU and CPU socket and then snap the fan/heatsink into place.
7. Plug the CPU fan power cable into the CPU cooling fan power supply on the mainboard (CPUFAN).

Install Memory Modules

This mainboard accommodates 184-pin 2.5V unbuffered Double Data Rate (DDR) SDRAM memory modules. The memory chips must be standard or registered SDRAM (Synchronous Dynamic Random Access Memory).

This mainboard is capable of auto detecting the type of memory modules (DDR SDRAM) you have installed and then automatically adjusting the voltage to the appropriate level.

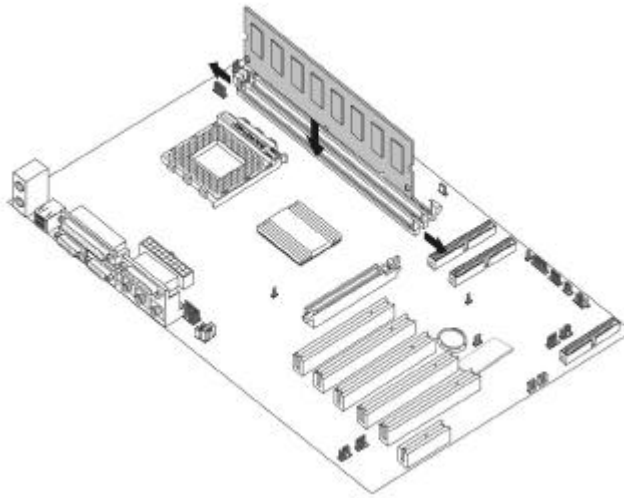
Note: This mainboard only supports up to 2 unbuffered DDR333 DIMM

The memory bus can run at 100 MHz or 133 MHz. If your processor operates over a 100 MHz system bus, you can install PC200 or PC266 memory modules that operate over a 100 MHz or 133 MHz memory bus. If your processor operates over a 133 MHz system bus, you can only install PC266 or PC333 memory modules that operate over a 133 MHz or 166 MHz memory bus.

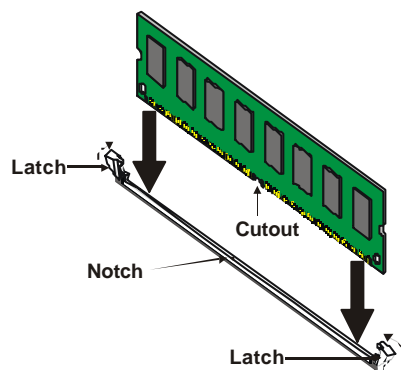
Note: SDRAM provides 800 MB/s or 1 GB/s data transfer depending on whether the bus is 100MHz or 133MHz. Double Data Rate SDRAM (DDR SDRAM) doubles the rate to 1.6 GB/s or 2.1 GB/s or 2.7 GB/s at memory bus 100 Mhz or 133 MHz or 166 MHz. DDR SDRAM uses additional power and ground lines and requires 184-pin DIMM modules rather than the 168-pin DIMMs used by SDRAM.

Installation Procedure

The mainboard accommodates three memory modules. You must install at least one module in any of the three slots. Each module can be installed with 32 MB to 512 MB of memory; total memory capacity is 1.5 GB (PC200/PC266 DIMM) or 1.0 GB (PC333 DIMM).



1. Align the memory module with the slot. The DIMM slots are keyed with notches and the DIMMs are keyed with cutouts so that they can only be installed correctly. Check that the cutouts on the DIMM module edge connector match the notches in the DIMM slot:



2. Push the latches on each side of the DIMM slot down.

3. Install the DIMM module into the slot and press it firmly down so that it seats correctly. The slot latches are levered upwards and latch on to the edges of the DIMM when it is installed correctly.

Installing a Hard Disk Drive/CD-ROM

This section describes how to install IDE devices such as a hard disk drive and a CD-ROM drive.

About IDE Devices

Your mainboard has a primary and secondary IDE channel interface (IDE1 and IDE2). An IDE ribbon cable supporting two IDE devices is bundled with the mainboard. IDE devices have jumpers or switches that are used to set the IDE device as MASTER or SLAVE. Refer to the IDE device user's manual.

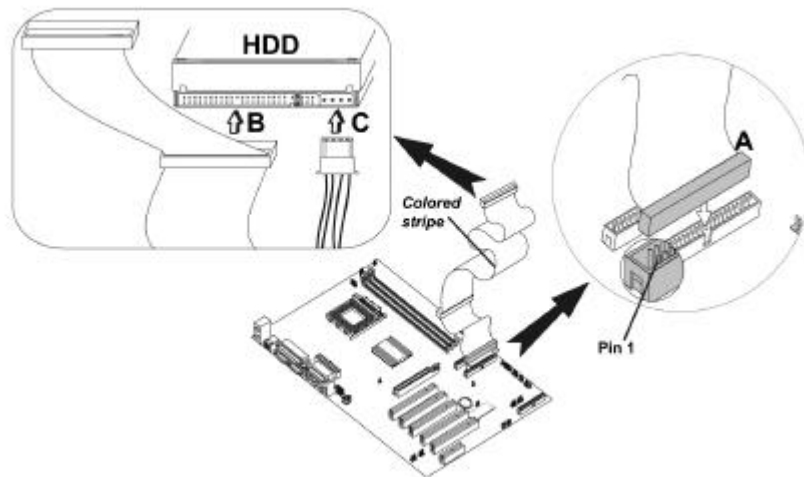
If you want to install more than two IDE devices, get a second IDE cable and you can add two more devices to the secondary IDE channel.

When installing two IDE devices on one cable, ensure that one device is set to MASTER and the other device is set to SLAVE. The documentation of your IDE device explains how to do this.

About UDMA

This mainboard supports UltraDMA 66/100. UDMA is a technology that accelerates the performance of devices in the IDE channel. Install IDE devices that support UDMA and use IDE cables that support UDMA for better performance.

Installing a Hard Disk Drive



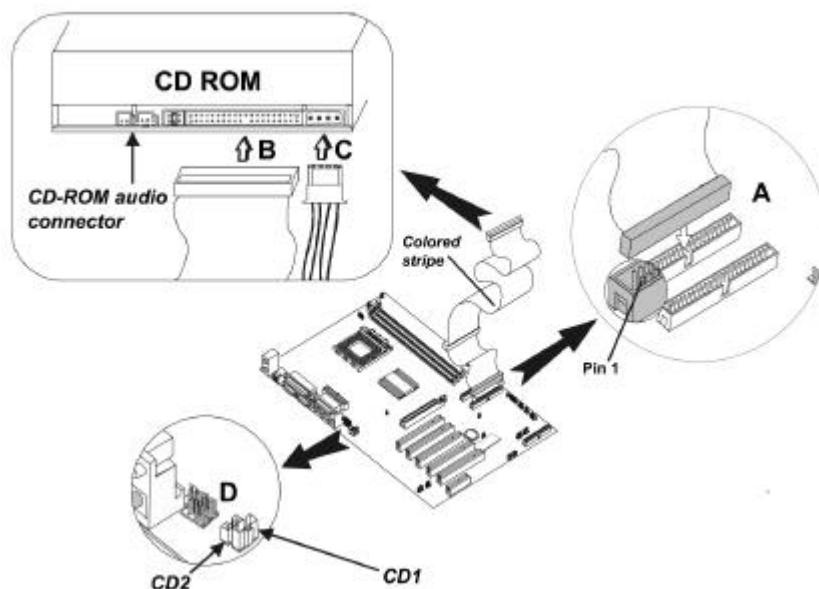
1. Install the hard disk drive into the drive cage in your system case.
2. Plug the IDE cable into IDE1 (A).

Note: Ribbon cable connectors are usually keyed so that they can only be installed correctly on the device connector. If the connector is not keyed, make sure that you match the pin-1 side of the cable connector with the pin-1 side of the device connector. Each connector has the pin-1 side clearly marked. The pin-1 side of each ribbon cable is always marked with a colored stripe on the cable.

3. Plug an IDE cable connector into the hard disk drive IDE connector. It doesn't matter which connector on the cable you use. Ensure that the pin-1 side of the cable is matched with the pin-1 side of the connector. Refer to the previous note (B).
4. Plug a power cable from the case power supply into the power connector on the hard disk drive (C).

When you first start up your system, the BIOS should automatically detect your hard disk drive. If it doesn't, enter the Setup Utility and use the IDE Hard Disk Auto Detect feature to configure the hard disk drive that you have installed. See Chapter 3 for more information.

Installing a CD-ROM/DVD Drive



1. Install the CD-ROM/DVD drive into the drive cage in your system case (A).
2. Plug the IDE cable into IDE1. If you have already installed an HDD, you can use the free connector on its IDE cable (B).

Note: Ribbon cable connectors are usually keyed so that they can only be installed correctly on the device connector. If the connector is not keyed, make sure that you match the pin-1 side of the cable connector with the pin-1 side of the device connector. Each connector has the pin-1 side clearly marked. The pin-1 side of each ribbon cable is always marked with a colored stripe on the cable.

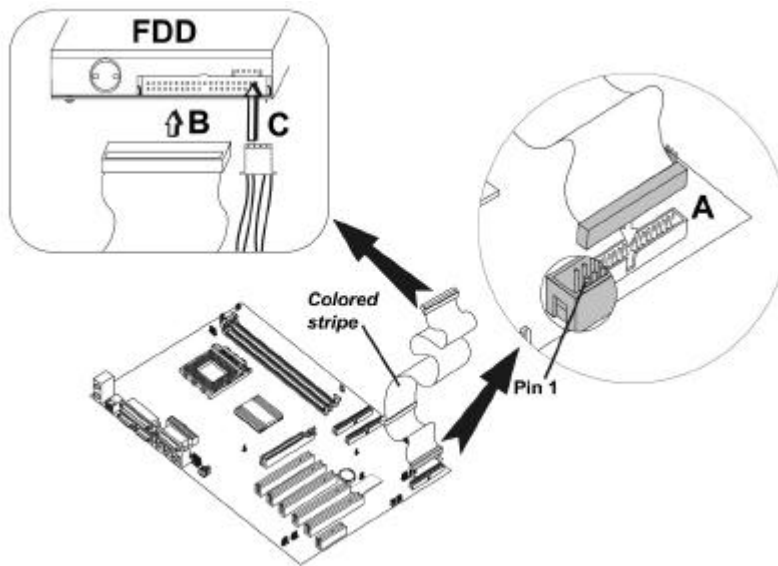
3. Plug an IDE cable connector into the CD-ROM/DVD drive IDE connector. It doesn't matter which connector on the cable you use. Ensure that the pin-1 side of the cable is matched with the pin-1 side of the connector. Refer to the previous note.
4. Use the audio cable provided with the CD-ROM/DVD drive to connect to the mainboard CD-in connector CD1 or CD2 (D).

5. Plug a power cable from the case power supply into the power connector on the CD-ROM/DVD drive (C).

When you first start up your system, the BIOS should automatically detect your CD-ROM/DVD drive. If it doesn't, enter the Setup Utility and configure the CD-ROM/DVD drive that you have installed. See Chapter 3 for more information.

Installing a Floppy Diskette Drive

The mainboard has a floppy diskette drive (FDD) interface ships with a diskette drive ribbon cable that supports one or two floppy diskette drives. You can install a 5.25-inch drive and a 3.5-inch drive with various capacities. The floppy diskette drive cable has one type of connector for a 5.25-inch drive and another type of connector for a 3.5-inch drive



1. Install the FDD into the drive cage in your system case.
2. Plug the FDD cable into FDD1 (A).

Note: Ribbon cable connectors are usually keyed so that they can only be installed correctly on the device connector. If the connector is not keyed, make sure that you match the pin-1 side of the cable connector with the pin-1 side of the device connector. Each connector has the pin-1 side clearly marked. The

pin-1 side of each ribbon cable is always marked with a colored stripe on the cable.

3. Plug one of the connectors on the FDD cable into the FDD connector (B). It doesn't matter which connector on the cable you use. Ensure that the pin-1 side of the cable is matched with the pin-1 side of the connector. Refer to the previous note.
4. Plug a power cable from the case power supply into the power connector on the FDD (C).

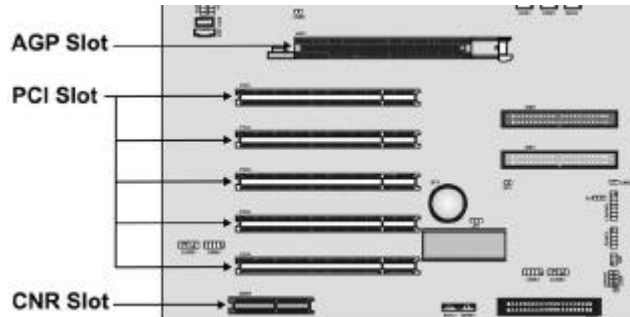
When you first start up your system, go immediately to the Setup Utility and use the Standard page to configure the floppy diskette drives that you have installed. See Chapter 3 for more information.

Installing Add-on Cards

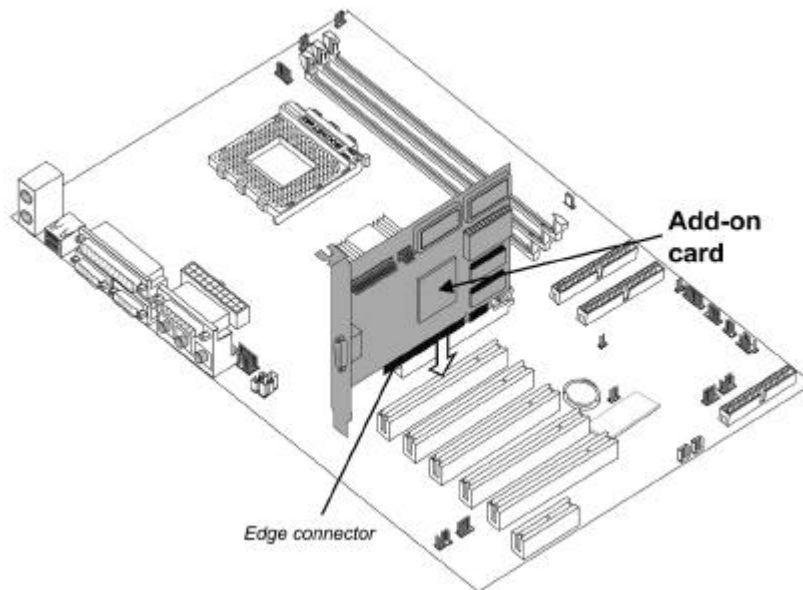
This mainboard has five 32-bit PCI (Peripheral Components Interconnect) expansion slots, one 4xAGP slot, and one Communications and Networking Riser (CNR) slot.

- | | |
|-------------------|--|
| PCI Slots | PCI slots are used to install expansion cards that have the 32-bit PCI interface. |
| 4xAGP Slot | The 4xAGP slot is used to install a graphics adapter that supports the 4xAGP specification and has a 4xAGP edge connector. |
| CNR Slot | This slot is used to insert CNR cards with Modem and Audio functionality. |

Note: Before installing an add-on card, check the documentation for the card carefully. If the card is not Plug and Play, you may have to manually configure the card before installation.



1. Remove a blanking plate from the system case corresponding to the slot you are going to use.
2. Install the edge connector of the add-on card into the expansion slot. Ensure that the edge connector is correctly seated in the slot.

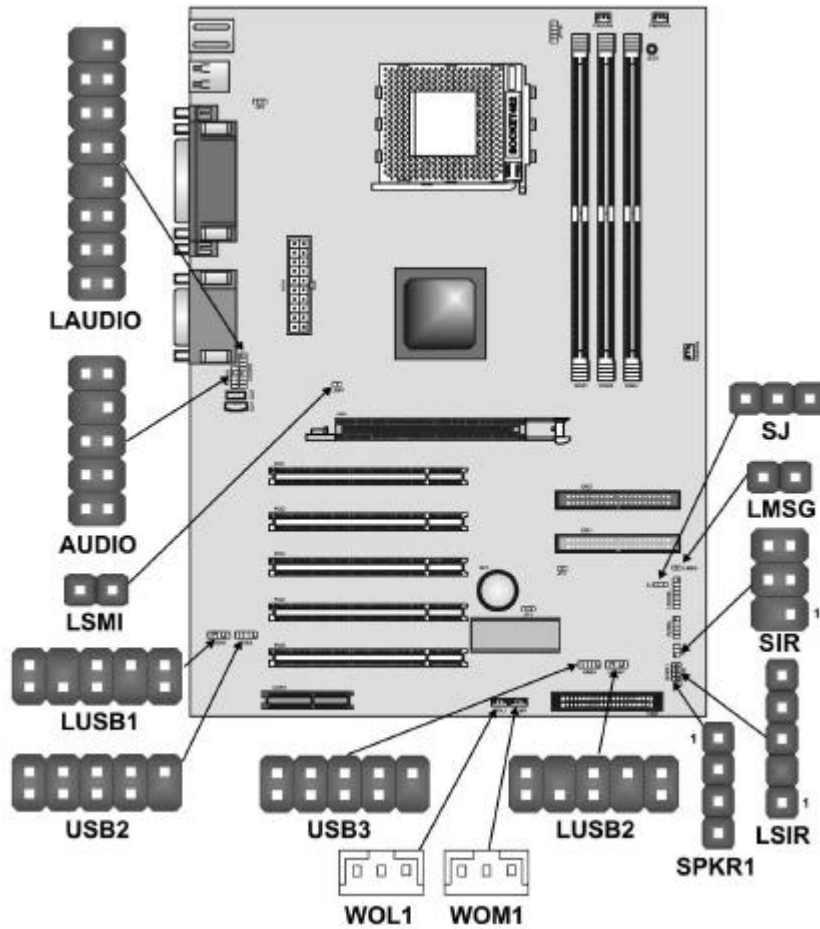


3. Secure the metal bracket of the card to the system case with a screw.

Note: For some add-on cards, for example graphics adapters and network adapters, you have to install drivers and software before you can begin using the add-on card.

Connecting Optional Devices

Refer to the following for information on connecting the main-board's optional devices:



AUDIO: Front Audio Connector

This connector is used to attach to Audio equipment embedded into or attached to the case.

Pin	Signal Name	Pin	Signal Name
1	AUD_MIC	2	AUD_GND
3	MIC_BIAS	4	AUD_VCC
5	AUD_F_R	6	AUD_RET_R
7	RESERVED	8	EMPTY
9	AUD_F_L	10	AUD_RET_L

LAUDIO: Mic/Speaker Out header

Pin	Signal Name	Pin	Signal Name
1	Active LINE Out (R)	2	Active LINE Out (L)
3	GND (aLO)	4	GND (aLO)
5	GND (+12)	6	GND (+12)
7	+12V (1A)	8	EMPTY
9	MIC	10	GND (MIC)
11	Front LINE Out(R)	12	LINE Next (R)
13	Front LINE Out (L)	14	LINE Next (L)
15	GND (tLO)	16	EMPTY

USB 1/2: USB panel connector

This USB panel connector (which is specially designed for OEM customers) connects to the front panel or case USB ports that comply with the OEM specifications.

LUSB1 Pin Assignment

Pin	Signal Name	Pin	Signal Name
1	+5V	2	Ground
3	USB2-	4	Empty
5	USB2+	6	USB3+
7	Ground	8	USB3-
9	Ground	10	+5V

***LU*SB2 Pin Assignment**

Pin	Signal Name	Pin	Signal Name
1	+5V	2	Ground
3	USB4-	4	Empty
5	USB4+	6	USB5+
7	Ground	8	USB5-
9	Ground	10	+5V

USB 2/3: USB panel connector

The mainboard has USB ports installed on the rear edge I/O port array. However, some computer cases have a special module that mounts USB ports at the front of the case. If you have this kind of case, use auxiliary USB connector USB1 to connect the front-mounted ports to the mainboard.

***USB*2 Pin Assignment**

Pin	Signal Name	Pin	Signal Name
1	VCC	2	VCC
3	USBP2-	4	USBP3-
5	USBP2+	6	USBP3+
7	Ground	8	Ground
9	Empty	10	OC#

***USB*3 Pin Assignment**

Pin	Signal Name	Pin	Signal Name
1	VCC	2	VCC
3	USBP4-	4	USBP5-
5	USBP4+	6	USBP5+
7	Ground	8	Ground
9	Empty	10	OC#

WOL1/WOM1: Wake On LAN/Wake On Modem

If you have installed a LAN card, use the cable provided with the card to plug into the mainboard WOL1 connector. This enables the Wake On LAN (WOL) feature. When your system is in a power-saving mode, any LAN signal automatically resumes the system. You must enable this item using the Power Management page of the Setup Utility.

Pin	Signal Name
1	5VSB
2	Ground
3	SENSE

If you have installed a modem, use the cable provided with the modem to plug into the mainboard WOM1 connector. This enables the Wake On Modem (WOM) feature. When your system is in a power-saving mode, any modem signal automatically resumes the system. You must enable this item using the Power Management page of the Setup Utility. See Chapter 3 for more information.

SIR: Infrared port

The mainboard supports an Infrared (IR) data port. Infrared ports allow the wireless exchange of information between your computer and similarly equipped devices such as printers, laptops, Personal Digital Assistants (PDAs), and other computers.

Pin	Signal Name	Pin	Signal Name
1	N/A	2	Empty
3	+5V	4	GND
5	IRTX/CIRTX	6	IRRX/CIRRX

LSIR: Serial infrared port

The mainboard supports a Serial Infrared (SIR) data port. Infrared ports allow the wireless exchange of information between your computer and similarly equipped devices such as printers, laptops, Personal Digital Assistants (PDAs), and other computers.

Pin	Signal Name
1	VCC
2	Empty
3	IRRX
4	GND
5	IRTX

SPKR1: Internal speaker

Connect the internal speaker connector to this header.

Pin	Signal Name
1	SPKR
2	NC
3	Ground
4	+5V

SJ: Single color LED

This connector is used to attach to devices that need a single color LED indicator.

LSMI: System Management Interrupt

This connector is for use with SMI hardware interrupt power management.

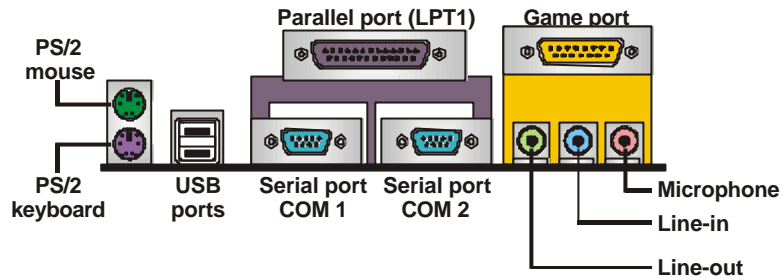
Pin	Signal Name
1	ExtSMI
2	Ground

LMSG: Message LED header

This connector is used to attach to devices that need a dual color LED indicator.

Connecting I/O Devices

The backplane of the mainboard has a full set of I/O ports:



1. Use the upper PS/2 port to connect a PS/2 pointing device. Use the lower PS/2 port to connect a PS/2 keyboard.
2. Use the USB ports to connect USB devices.
3. Use LPT1 to connect printers or other parallel communications devices.
4. Use the COM ports to connect serial devices such as mice or fax/modems. COM1 is identified by the system as COM1/3. COM2 is identified by the system as COM2/4.
5. Use the game port to connect a joystick or a MIDI device.
6. Use the three audio ports to connect audio devices. The left side jack is for a stereo line-out signal. The middle jack is for a stereo line-in signal. The right side jack is for a microphone.

External Connector Color Coding

Many connectors now use standard colors as shown in the table below.

Connector	Color
Analog VGA	Blue
Audio line-in	Light blue
Audio line-out	Lime
Digital monitor / flat panel	White
IEEE 1394	Grey
Microphone	Pink
MIDI/Game	Gold
Parallel	Burgundy
PS/2 compatible keyboard	Purple
PS/2 compatible mouse	Green
Serial	Teal or Turquoise
Speaker out/subwoofer	Orange
Right-to-left speaker	Brown
USB	Black
Video out	Yellow
SCSI, network, telephone, modem	None

This concludes Chapter 2. Chapter 3 covers the BIOS.

Chapter 3

Using BIOS

About the Setup Utility

The computer uses the latest Award BIOS with support for Windows Plug and Play. The CMOS chip on the mainboard contains the ROM setup instructions for configuring the mainboard BIOS.

The BIOS (Basic Input and Output System) Setup Utility displays the system's configuration status and provides you with options to set system parameters. The parameters are stored in battery-backed-up CMOS RAM that saves this information even when the power is turned off. When the system is turned back on, the system is configured with the values found in CMOS.

The BIOS Setup Utility enables you to configure:

- Hard drives, diskette drives, and peripherals
- Video display type and display options
- Password protection from unauthorized use
- Power management features

The settings made in the Setup Utility affect how the computer performs. Before using the Setup Utility, ensure that you understand the Setup Utility options. Only change settings appropriate for the way you use the computer.

This chapter provides explanations for Setup Utility options.

The Standard Configuration

A standard configuration has already been set in the Setup Utility. However, we recommend that you read this chapter in case you need to make any changes in the future.


This Setup Utility should be used:

- when changing the system configuration
- when a configuration error is detected and you are prompted to make changes to the Setup Utility
- when trying to resolve IRQ conflicts
- when making changes to the Power Management configuration
- when changing the password or making other changes to the Security Setup

Entering the Setup Utility

When you power on the system, BIOS enters the Power-On Self Test (POST) routines. POST is a series of built-in diagnostics performed by the BIOS. After the POST routines are completed, the following message appears:

Press DEL to enter SETUP

Pressing the delete key  accesses the BIOS Setup Utility:

CMOS Setup Utility – Copyright (C) 1984 – 2001 Award Software

<ul style="list-style-type: none"> ▶ Standard CMOS Features ▶ Advanced BIOS Features ▶ Advanced Chipset Features ▶ Integrated Peripherals ▶ Power Management Setup ▶ PnP/PCI Configurations ▶ PC Health Status 	<ul style="list-style-type: none"> ▶ Frequency/Voltage Control Load Fail-Safe Defaults Load Optimized Defaults Set Password Save & Exit Setup Exit Without Saving
Esc : Quit	- - ® - : Select Item
Time, Date, Hard Disk Type . . .	

BIOS Navigation Keys

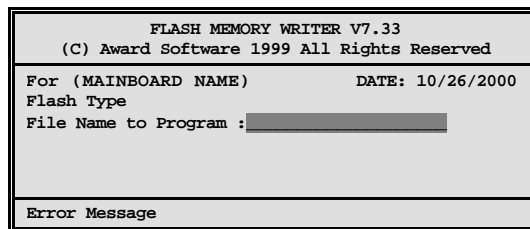
The BIOS navigation keys are listed below:

Key	Function
Esc	Exits the current menu
←↑↓→	Scrolls through the items on a menu
+/- /PU/PD	Modifies the selected field's values
F10	Saves the current configuration and exits setup
F1	Displays a screen that describes all key functions
F5	Loads previously saved values to CMOS
F6	Loads a minimum configuration for troubleshooting.
F7	Loads an optimum set of values for peak performance

Updating the BIOS

You can download and install updated BIOS for this mainboard from the manufacturer's web site. New BIOS provides support for new peripherals, improvements in performance, or fixes for known bugs. Install new BIOS as follows:

1. If your mainboard has a BIOS protection jumper, change the setting to allow BIOS flashing. Refer to Appendix A for jumper settings.
2. If your mainboard has an item called Firmware Write Protect in Advanced BIOS features, disable it. Firmware Write Protect prevents BIOS from being overwritten.
3. Create a bootable system disk. Refer to Windows online help for information on creating a bootable system disk.
4. Download the Flash Utility and new BIOS file from the manufacturer's Web site. Copy these files to the system diskette you created in Step 3.
5. Turn off your computer and insert the system diskette in your computer's diskette drive. You might need to run the Setup Utility and change the boot priority items on the Advanced BIOS Features Setup page, to force your computer to boot from the floppy diskette drive first.
6. At the A:\ prompt, type the Flash Utility program name and press <Enter>. You see a screen similar to the following:



7. Type the filename of the new BIOS in the "File Name to Program" text box. Follow the onscreen directions to update the mainboard BIOS.
8. When the installation is complete, remove the floppy diskette from the diskette drive and restart your computer. If your mainboard has a Flash BIOS jumper, reset the jumper to protect the newly installed BIOS from being overwritten.

Using BIOS

When you start the Setup Utility, the main menu appears. The main menu of the Setup Utility displays a list of the options that are available. A highlight indicates which option is currently selected. Use the cursor arrow keys to move the highlight to other options. When an option is highlighted, execute the option by pressing <Enter>.

Some options lead to pop-up dialog boxes that prompt you to verify that you wish to execute that option. Other options lead to dialog boxes prompt you for information.

Some options (marked with a triangle ►) lead to submenus that enable you to change the values for the option. Use the cursor arrow keys to scroll through the items in the submenu.

In this manual, default values are enclosed in parenthesis. Submenu items are denoted by a triangle ►.

Standard CMOS Features

This option displays a table of items defining basic information about your system.

CMOS Setup Utility – Copyright (C) 1984 – 2001 Award Software
Standard CMOS Features

Date (mm:dd:yy)	Tue, July 11 2000	Item Help
Time (hh:mm:ss)	12 : 8 : 59	
► IDE Primary Master		Menu Level ►
► IDE Primary Slave		Change the day, month, year and century.
► IDE Secondary Master		
► IDE Secondary Slave		
Drive A	[1.44M, 3.5 in.]	
Drive B	[None]	
Floppy 3 Mode Support	[Disabled]	
Video	[EGA/VGA]	
Halt On	[All Errors]	
Base Memory	640K	
Extended Memory	31744K	
Total Memory	32768K	

- : Move ® : Select +/-/PU/PD:Value: F10: Save ESC: Exit F1:General Help
F5:Previous Values F6:Fail-Safe Defaults F7:Optimized Defaults

Date and Time

The Date and Time items show the current date and time on the computer. If you are running a Windows OS, these items are automatically updated whenever you make changes to the Windows Date and Time Properties utility.

► IDE Devices (None)

Your computer has two IDE channels (Primary and Secondary) and each channel can be installed with one or two devices (Master and Slave). Use these items to configure each device on the IDE channel.

Press <Enter> to display the IDE submenu:

CMOS Setup Utility – Copyright © 1984 – 2000 Award Software
IDE Primary Master

IDE HDD Auto-Detection	[Press Enter]	Item Help
IDE Primary Master Access Mode	[Auto] [Auto]	Menu Level ►►
Capacity	0 MB	To auto-detect the HDD's size, head . . . on this channel
Cylinder	0	
Head	0	
Precomp	0	
Landing Zone	0	
Sector	0	

- - ® → : Move Enter : Select +/-/PU/PD:Value: F10: Save ESC: Exit F1:General Help
F5:Previous Values F6:Fail-Safe Defaults F7:Optimized Defaults

IDE HDD Auto-Detection

Press <Enter> while this item is highlighted to prompt the Setup Utility to automatically detect and configure an IDE device on the IDE channel.

Note: If you are setting up a new hard disk drive that supports LBA mode, more than one line will appear in the parameter box. Choose the line that lists LBA for an LBA drive.

IDE Primary Master/Slave & Secondary Master/Slave (Auto)

Leave this item at Auto to enable the system to automatically detect and configure IDE devices on the channel. If it fails to find a device, change the value to Manual and then manually configure the drive by entering the characteristics of the drive in the items described below.

Refer to your drive's documentation or look on the drive casing if you need to obtain this information. If no device is installed, change the value to None.

Note: Before attempting to configure a hard disk drive, ensure that you have the configuration information supplied by the manufacturer of your hard drive. Incorrect settings can result in your system not recognizing the installed hard disk.

Access Mode

This item defines ways that can be used to access IDE hard disks such as LBA (Large Block Addressing). Leave this value at Auto and the system will automatically decide the fastest way to access the hard disk drive.

Press <Esc> to return to the Standard CMOS Features page.

Drive A/Drive B (1.44M, 3.5 in./None)

These items define the characteristics of any diskette drive attached to the system. You can connect one or two diskette drives.

Floppy 3 Mode Support (Disabled)

Floppy 3 mode refers to a 3.5-inch diskette with a capacity of 1.2 MB. Floppy 3 mode is sometimes used in Japan.

Video (EGA/VGA)

This item defines the video mode of the system. This main-board has a built-in VGA graphics system; you must leave this item at the default value.

Halt On (All Errors)

This item defines the operation of the system POST (Power On Self Test) routine. You can use this item to select which types of errors in the POST are sufficient to halt the system.

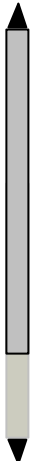
Base Memory, Extended Memory, and Total Memory

These items are automatically detected by the system at start up time. These are display-only fields. You cannot make changes to these fields.

Advanced BIOS Setup Option

This option displays a table of items that define advanced information about your system.

CMOS Setup Utility – Copyright (C) 1984 – 2001 Award Software
Advanced BIOS Features

Anti-Virus Protection	[Disabled]		Item Help
CPU Internal Cache	[Enabled]		Menu Level ▶
External Cache	[Enabled]		Allows you to choose the VIRUS warning feature for IDE Hard Disk boot sector protection. If this function is enabled and someone attempts to write data into this area, BIOS will show a warning message on screen and alarm beep
Quick Power On Self Test	[Enabled]		
First Boot Device	[Floppy]		
Second Boot Device	[HDD-0]		
Third Boot Device	[LS120]		
Boot Other Device	[Enabled]		
Swap Floppy Drive	[Disabled]		
Boot Up Floppy Seek	[Enabled]		
Boot Up NumLock Status	[On]		
Gate A20 Option	[Fast]		
Typematic Rate Setting	[Disabled]		
x Typematic Rate (Chars/Sec)	6		
x Typematic Delay (Msec)	250		
Security Option	[Setup]		
APIC Mode	[Enabled]		
OS Select For DRAM > 64MB	[Non-OS2]		

- ↑ ↓ : Move Enter : Select +/-/PU/PD:Value: F10: Save ESC: Exit F1:General Help
F5:Previous Values F6:Fail-Safe Defaults F7:Optimized Defaults

Anti-Virus Protection (Disabled)

When enabled, this item provides protection against viruses that try to write to the boot sector and partition table of your hard disk drive. You need to disable this item when installing an operating system. We recommend that you enable anti-virus protection as soon as you have installed an operating system.

CPU Internal Cache (Enabled)

All processors that can be installed in this mainboard use internal level 1 (L1) cache memory to improve performance. Leave this item at the default value for better performance.

External Cache (Enabled)

Most processors that can be installed in this system use external level 2 (L2) cache memory to improve performance. Leave this item at the default value for better performance.

Quick Power On Self Test (Enabled)

Enable this item to shorten the power on testing (POST) and have your system start up faster. You might like to enable this item after you are confident that your system hardware is operating smoothly.

1st/2nd/3rd Boot Device (Floppy/HDD-0/LS120)

Use these three items to select the priority and order of the devices that your system searches for an operating system at start-up time.

Boot Other Device (Enabled)

When enabled, the system searches all other possible locations for an operating system if it fails to find one in the devices specified under the first, second, and third boot devices.

Swap Floppy Drive (Disabled)

If you have two floppy diskette drives in your system, this item allows you to swap the assigned drive letters so that drive A becomes drive B, and drive B becomes drive A.

Boot Up Floppy Seek (Enabled)

If this item is enabled, it checks the size of the floppy disk drives at start-up time. You don't need to enable this item unless you have a legacy diskette drive with 360K capacity.

Boot Up NumLock Status (On)

This item defines if the keyboard Num Lock key is active when your system is started.

Gate A20 Option (Fast)

This item defines how the system handles legacy software that was written for an earlier generation of processors. Leave this item at the default value.

Typematic Rate Setting (Disabled)

If this item is enabled, you can use the following two items to set the typematic rate and the typematic delay settings for your keyboard.

- **Typematic Rate (Chars/Sec):** Use this item to define how many characters per second are generated by a held-down key.
- **Typematic Delay (Msec):** Use this item to define how many milliseconds must elapse before a held-down key begins generating repeat characters.

Security Option (Setup)

If you have installed password protection, this item defines if the password is required at system start up, or if it is only required when a user tries to enter the Setup Utility.

APIC Mode (Enabled)

This item allows you to enable APIC (Advanced Programmable Interrupt Controller) functionality. APIC is an Intel chip that provides symmetric multiprocessing (SMP) for its Pentium systems.

OS Select For DRAM > 64 MB (Non-OS2)

This item is only required if you have installed more than 64 MB of memory and you are running the OS/2 operating system. Otherwise, leave this item at the default.

HDD S.M.A.R.T Capability (Disabled)

The S.M.A.R.T. (Self-Monitoring, Analysis, and Reporting Technology) system is a diagnostics technology that monitors and predicts device performance. S.M.A.R.T. software resides on both the disk drive and the host computer.

The disk drive software monitors the internal performance of the motors, media, heads, and electronics of the drive. The host software monitors the overall reliability status of the drive. If a device failure is predicted, the host software, through the Client WORKS S.M.A.R.T applet, warns the user of the impending condition and advises appropriate action to protect the data.

Report No FDD For WIN95 (Yes)

If you are running a system with no floppy drive and using

Windows 95, select Yes for this item to ensure compatibility with the Windows 95 logo certification. Otherwise, select No.

Video BIOS Shadow (Enabled)

When set to Enabled, the system copies the VGA BIOS into system DRAM.

Small Logo (EPA) Show (Disabled)

Enables or disables the display of the EPA logo during boot.

Advanced Chipset Features Option

This option displays a table of items that define critical timing parameters of the mainboard. You should leave the items on this page at their default values unless you are very familiar with the technical specifications of your system hardware. If you change the values incorrectly, you may introduce fatal errors or recurring instability into your system.

CMOS Setup Utility – Copyright (C) 1984 – 2001 Award Software
Advanced Chipset Features

▶ Advanced DRAM Control 1	[Press Enter]	Item Help
▶ Advanced DRAM Control 2	[Press Enter]	Menu Level ▶
Memory Hole at 15M-16M	[Disabled]	
AGP Fast Write control	[Enabled]	
AGP Data Transfer Rates	[Support 4X]	
AGP Aperture Size	[64MB]	
PCI SLOT 5 Support	[Enabled]	

- : Move ® : Select +/-/PU/PD:Value: F10: Save ESC: Exit F1:General Help
 F5:Previous Values F6:Fail-Safe Defaults F7:Optimized Defaults

► Advanced DRAM Control 1

Scroll to this item and press <Enter> to view the following screen:

CMOS Setup Utility – Copyright (C) 1984 – 2001 Award Software
Advanced DRAM Control 1

Auto configuration	[Normal Mode]	Item Help
CPU/DRAM CLK Synch CTL	[Auto]	
DRAM BackGround Cycles	[Auto]	
LD-Off Dram RD/WR Cycles	[Auto]	
		Menu Level ►

← → : Move Enter : Select +/-/PU/PD:Value: F10: Save ESC: Exit F1:General Help
F5:Previous Values F6:Fail-Safe Defaults F7:Optimized Defaults

Auto Configuration (Normal Mode)

This is the DRAM auto configuration option, which can be set to Safe Mode, Normal Mode, Fast Mode or Ultra Mode.

CPU/DRAM CLK Synch CTL (Auto)

This option allows you set the CPU/DRAM synchronization. The valid options are AUTO, Synchronous, and Asynchronous.

DRAM BackGround Cycles (Auto)

This option allows you to set the DRAM background cycles. The valid options are AUTO, Delay 1T, and Normal.

LD-Off Dram RD/WR cycles (Auto)

This option allows you to set the LD-Off DRAM RD/WR cycles. Valid values are AUTO, Delay 1T, and Normal.

► Advanced DRAM control 2

Scroll to this item and press <Enter> to view the following screen:

CMOS Setup Utility – Copyright (C) 1984 – 2001 Award Software
Advanced DRAM Control 2

CS[5:0]# Hold Time CTL	[+0.5 ns]	Item Help
DQS/CSB Hold Time CTL	[+0.5 ns]	Menu Level ►
CKE Hold Time CTL	[+0.5 ns]	

- : Move Enter : Select +/-/PU/PD:Value: F10: Save ESC: Exit F1:General Help
F5:Previous Values F6:Fail-Safe Defaults F7:Optimized Defaults

CS[5:0]# Hold Time CTL (+0.5 ns)

This option allows you to set the CS Hold Time. Valid values are +.05 ns, +.1.0 ns, +1.5 ns, and +2.0 ns.

DQS/CSB Hold Time CTL (+0.5 ns)

This option allows you to set the DQS/CSB Hold Time. Valid values are +.05 ns, +.1.0 ns, +1.5 ns, and +2.0 ns.

CKE Hold Time CTL (+0.5 ns)

This option allows you to set the CKE Hold Time. Valid values are +.05 ns, +.1.0 ns, +1.5 ns, and +2.0 ns.

Memory Hole at 15M-16M (Disabled)

This item is used to reserve memory space for ISA expansion cards that require it.

AGP Fast Write Control (Enabled)

This item allows you to enable or disable the caching of display data for the video memory of the processor. Enabling can greatly improve the display speed. If your graphics display card does not support this feature, you need to disable this item.

AGP Data Transfer Rates (Support 4X)

Determines the data transfer rate of AGP data at either 4X or 2X depending on your Advanced Graphics Card.

AGP Aperture Size (64MB)

This item defines the size of the aperture if you use an AGP graphics adapter. It refers to a section of the PCI memory address range used for graphics memory. We recommend that you leave this item at the default value.

PCI SLOT 5 Support (Enabled)

Enables PCI support for this mainboard.

Integrated Peripherals Option

This option displays a list of items that defines the operation of peripheral components on the system's input/output ports.

CMOS Setup Utility – Copyright (C) 1984 – 2001 Award Software
Integrated Peripherals

▶ SIS OnChip IDE Device	[Press Enter]	Item Help
▶ SIS OnChip PCI Device	[Press Enter]	
▶ Onboard SuperI/O Device	[Press Enter]	Menu Level ▶
USB Controller	[Enabled]	
USB keyboard Support	[Disabled]	
IDE HDD Block Mode	[Enabled]	
Init Display First	[PCI Slot]	
AGP Auto Calibration	[Enabled]	

- : Move ® : Select +/-/PU/PD:Value: F10: Save ESC: Exit F1:General Help
F5:Previous Values F6:Fail-Safe Defaults F7:Optimized Defaults

► SIS OnChip IDE Device

Scroll to this item and press <Enter> to view the following screen:

CMOS Setup Utility – Copyright (C) 1984 – 2001 Award Software
SIS OnChip IDE Device

Internal PCI/IDE		[Both]	Item Help
Primary Master	PIO	[Auto]	Menu Level ►►
Primary Slave	PIO	[Auto]	
Secondary Master	PIO	[Auto]	
Secondary Slave	PIO	[Auto]	
Primary Master	UltraDMA	[Auto]	
Primary Slave	UltraDMA	[Auto]	
Secondary Master	UltraDMA	[Auto]	
Secondary Slave	UltraDMA	[Auto]	
IDE Burst Mode		[Enabled]	

⏪ ⏩ : Move Enter : Select +/-/PU/PD:Value: F10: Save ESC: Exit F1:General Help
F5:Previous Values F6:Fail-Safe Defaults F7:Optimized Defaults

Internal PCI/IDE (Both)

Use these items to enable or disable the internal PCI IDE channels that are integrated on the mainboard.

IDE Primary/Secondary Master/Slave PIO (Auto)

Each IDE channel supports a master device and a slave device. These four items let you assign which kind of PIO (Programmed Input/Output) is used by IDE devices. Choose Auto to let the system auto detect which PIO mode is best, or select a PIO mode from 0-4.

IDE Primary/Secondary Master/Slave UltraDMA (Auto)

Each IDE channel supports a master device and a slave device. This mainboard supports UltraDMA technology, which provides faster access to IDE devices.

If you install a device that supports UltraDMA, change the appropriate item on this list to Auto. You may have to install the UltraDMA driver supplied with this mainboard in order to use an UltraDMA device.

IDE Burst Mode (Enabled)

This option, when enabled will instruct the system to send every write transaction to the write buffer. Burstable transac-

tions then burst onto the PCI bus and nonburstable transactions do not.

Press <Esc> to return to the Integrated Peripherals screen.

► **SIS OnChip PCI Device**

Scroll to this item and press <Enter> to view the following screen:

CMOS Setup Utility – Copyright (C) 1984 – 2001 Award Software
SIS OnChip PCI Device

SIS-7012/7018 AC97Audio	[Enabled]	Item Help
SIS-7013 S/W Modem	[Enabled]	
IDE ACCESS INTERFACE	[Embedded BUS]	Menu Level ►►
USB1 ACCESS INTERFACE	[PCI BUS]	
USB0 ACCESS INTERFACE	[PCI BUS]	
AC97 ACCESS INTERFACE	[PCI BUS]	

- : Move ® : Select +/-/PU/PD:Value: F10: Save ESC: Exit F1:General Help
F5:Previous Values F6:Fail-Safe Defaults F7:Optimized Defaults

SIS-7012/7018 AC97 AUDIO (Enabled)

Enables and disables the onboard audio chip. Disable this item if you are going to install a PCI audio add-on card.

SIS-7013 S/W Modem (Auto)

Enables and disables the onboard modem. Disable this item if you are going to install an external modem.

IDE ACCESS INTERFACE (Embedded BUS)

This item determines whether the IDE access interface is the PCI bus or the embedded bus.

USB1 ACCESS INTERFACE (PCI BUS)

This option determines whether the USB1 access interface is the embedded bus or the PCI bus.

USB0 ACCESS INTERFACE (PCI BUS)

This option determines whether the USB0 access interface is the embedded bus or a PCI bus.

AC97 ACCESS INTERFACE (PCI BUS)

This option determines whether the AC' 97 interface uses an embedded bus or a PCI bus

Press <Esc> to return to the Integrated Peripherals screen.

► Onboard SuperIO Device

Scroll to this item and press <Enter> to view the following screen:

CMOS Setup Utility – Copyright (C) 1984 – 2001 Award Software
Onboard SuperIO Device

Onboard FDC Controller	[Enabled]	Item Help
Onboard Serial Port 1	[3F8/IRQ4]	Menu Level ►►
Onboard Serial Port 2	[2F8/IRQ3]	
UART Mode Select	[Normal]	
UR2 Duplex Mode	[Half]	
Onboard Parallel Port	[378/IRQ7]	
Parallel Port Mode	[ECP]	
ECP Mode Use DMA	[3]	
Game Port Address	[201]	
Midi Port Address	[330]	
Midi Port IRQ	[10]	

⏪ ⏩ : Move Enter : Select +/-/PU/PD:Value: F10: Save ESC: Exit F1:General Help
F5:Previous Values F6:Fail-Safe Defaults F7:Optimized Defaults

Onboard FDC Controller (Enabled)

This option enables the onboard floppy disk drive controller.

Onboard Serial Port 1 (3F8/IRQ4)

This option is used to assign the I/O address and interrupt request (IRQ) for onboard serial port 1 (COM1).

Onboard Serial Port 2 (2F8/IRQ3)

This option is used to assign the I/O address and interrupt request (IRQ) for onboard serial port 2 (COM2).

UART Mode Select (Normal)

This field is available if the Onboard Serial Port 2 field is set to any option but Disabled. UART Mode Select enables you to select the infrared communication protocol-Normal (default), IrDA, or ASKIR. IrDA is an infrared communication protocol with a maximum baud rate up to 115.2K bps. ASKIR is Sharp's infrared communication protocol with a maximum

baud rate up to 57.6K bps.

UR2 Duplex Mode (Half)

This field is available when UART 2 Mode is set to either ASKIR or IrDA. This item enables you to determine the infrared (IR) function of the onboard infrared chip. The options are Full and Half (default).

Full-duplex means that you can transmit and send information simultaneously. Half-duplex is the transmission of data in both directions, but only one direction at a time.

Onboard Parallel Port (378/IRQ7)

This option is used to assign the I/O address and interrupt request (IRQ) for the onboard parallel port.

Parallel Port Mode (ECP)

Enables you to set the data transfer protocol for your parallel port. There are four options: SPP (Standard Parallel Port), EPP (Enhanced Parallel Port), ECP (Extended Capabilities Port) and ECP+EPP.

SPP allows data output only. Extended Capabilities Port (ECP) and Enhanced Parallel Port (EPP) are bi-directional modes, allowing both data input and output. ECP and EPP modes are only supported with EPP and ECP aware peripherals.

ECP Mode Use DMA (3)

When the onboard parallel port is set to ECP mode, the parallel port can use DMA 3 or DMA 1.

Game Port Address (201)

This item sets the I/O address for the game port.

Midi Port Address (330)

This item sets the I/O address for the Midi function.

Midi Port IRQ (10)

This item sets the interrupt request for the Midi function.

Press <Esc> to return to the Integrated Peripherals screen.

USB Controller (Enabled)

Enable this item if you plan to use the Universal Serial Bus

ports on this mainboard.

USB Keyboard Support (Disabled)

Enable this item if you plan to use a keyboard connected through the USB port in a legacy operating system (such as DOS) that does not support Plug and Play.

IDE HDD Block Mode (Enabled)

Enable this field if your IDE hard drive supports block mode. Block mode enables BIOS to automatically detect the optimal number of block read and writes per sector that the drive can support. It also improves the speed of access to IDE devices.

Init Display First (PCI Slot)

Use this item to specify whether your graphics adapter is installed in one of the PCI slots or is integrated on the mainboard.

AGP Auto Calibration (Enabled)

This item allows you to enable or disable the AGP buffer strength auto calibration through the chipset.

Power Management Setup Option

This option displays items that let you control the system power management. Modern operating systems take care of much of the power management. This mainboard supports ACPI (Advanced Configuration and Power Interface). The system has various power saving modes including powering down the hard disk, turning off the video, suspending to RAM, and a software power down that allows the system to be automatically resumed by certain events.

Power Management Timeouts

The power-saving modes can be controlled by timeouts. If the system is inactive for a time, the timeouts begin counting. If the inactivity continues so that the timeout period elapses, the system enters a power-saving mode. If any item in the list of Reload Global Timer Events is Enabled, then any activity on that item will reset the timeout counters to zero.

Wake Up Calls

If the system is suspended, or has been powered down by software, it can be resumed by a wake up call that is generated by incoming traffic to a modem, a LAN card, a PCI card, or a fixed alarm on the system realtime clock,

CMOS Setup Utility – Copyright (C) 1984 – 2001 Award Software
Power Management Setup

ACPI function	[Enabled]	Item Help
ACPI Suspend Type	[S1(POS)]	
Video Off Option	[Suspend --> Off]	Menu Level ▶
Video Off Method	[DPMS Supported]	
Switch Function	[Break/Wake]	
MODEM Use IRQ	[3]	
Hot Key Function as	[Power Off]	
Hot Key Power on Function	[Disabled]	
HDD Off After	[Disable]	
Power Button Override	[Instant-Off]	
Power State Resume Control	[Always Off]	
▶ PM Wake Up Events	[Press Enter]	

– – ® – : MoveEnter : Select +/-/PU/PD:Value: F10: Save ESC: Exit F1:General
Help F5:Previous Values F6:Fail-Safe Defaults F7:Optimized Defaults

ACPI Function (Enabled)

This mainboard supports ACPI (Advanced Configuration and Power management Interface). Use this item to enable or disable the ACPI feature.

Note: ACPI is a power management specification that makes hardware status information available to the operating system. ACPI enables a PC to turn its peripherals on and off for improved power management. It also allows the PC to be turned on and off by external devices, so that mouse or keyboard activity wakes up the computer.

ACPI Suspend Type (S1 (POS))

Use this item to define how your system suspends. In the default, S1(POS), the suspend mode is equivalent to a software power down. If you select S3 (STR), the suspend mode is a suspend to RAM - the system shuts down with the exception of a refresh current to the system memory.

Video Off Option (Suspend --> Off)

This option defines if the video is powered down when the system is put into suspend mode.

Video Off Method (DPMS Support)

This item defines how the video is powered down to save power. This item is set to DPMS (Display Power Management Software) by default.

Switch Function (Break/Wake)

This option enables you to specify the function of the power button:

- **Disabled:** The power button functions as a normal power button.
- **Break/Wake:** The power button functions as a suspend button. When the button is depressed, the system enters a suspended state until the button is again depressed to return the system to normal operating status.

MODEM Use IRQ (3)

If you want an incoming call on a modem to automatically resume the system from a power-saving mode, use this item to specify the interrupt request line (IRQ) that is used by the modem. You might have to connect the fax/modem to the mainboard Wake On Modem connector for this feature to work.

Hot Key Function As (Power Off)

This option allows you to set the Hot Key functionality to one of the following states: Disable (turn off Hot Key functionality), Power Off, Suspend.

Hot Key Power on Function (Disabled)

This option allows you to set the Hot key functionality to power on the system.

HDD Off After (Disable)

The IDE hard drive will spin down if it is not accessed within a specified length of time. Options are from 1 Min to 15 Min and Disable.

Power Button Override (Instant-Off)

Under ACPI (Advanced Configuration and Power management Interface) you can create a software power down. In a software power down, the system can be resumed by Wake Up Alarms. This item lets you install a software power down that is controlled by the normal power button on your system. If the item is set to Instant-Off, then the power button causes a software power down. If the item is set to Delay 4 Sec. then you have to hold the power button down for four seconds to cause a software power down.

Power State Resume Control (Always Off)

This sets the power state after a shutdown due to an unexpected interrupt of AC power.

► PM Wake Up Events

Scroll to this item and press <Enter> to view the following screen:

CMOS Setup Utility – Copyright (C) 1984 – 2000 Award Software
PM Wake Up Events

IRQ [3-7, 9-15], NMI	[Enabled]	Item Help
IRQ 8 Break suspend	[Disabled]	Menu Level ►►
Ring Power Up Control	[Enabled]	
PCIPME Power Up Control	[Disabled]	
Power Up by Alarm	[Disabled]	
x Month Alarm	NA	
x Date (of Month)	0	
x Time (hh:mm:ss)	0 0 0	

- : Move Enter : Select +/-/PU/PD:Value: F10: Save ESC: Exit F1:General Help
F5:Previous Values F6:Fail-Safe Defaults F7:Optimized Defaults

This item opens a submenu that enables you to set events that will resume the system from a power saving mode.

IRQ [3-7, 9-15], NMI (Enabled)

This option determines whether any activity for IRQ 3/7/9-15 will cause the system to wake from a power saving mode.

IRQ 8 Break Suspend

Determines whether the system will monitor IRQ 8 activity and wake the system from a power saving mode when IRQ 8 is activated.

Ring Power Up Control (Enabled)

Use this item to enable LAN or modem activity to wakeup the system from a power saving mode.

PCIPME Power Up Control (Disabled)

Use this item to enable PCI activity to wakeup the system from a power saving mode.

Power Up by Alarm (Disabled)

When set to Enabled, the following three fields become available: Month Alarm, Day of Month Alarm, and Time Alarm. Upon arrival of the alarm time, it will instruct the system to wake up. When set to 0 (zero) for the day of the month, the

alarm will power on your system every day at the specified time.

PNP/PCI Configuration Option

This option displays a table of items that configures how PnP (Plug and Play) and PCI expansion cards operate in your system. Both the ISA and PCI buses on the Mainboard use system IRQs (Interrupt ReQuests) and DMAs (Direct Memory Access). You must set up the IRQ and DMA assignments correctly through the PnP/PCI Configurations Setup utility; otherwise, the mainboard will not work properly. Selecting PnP/PCI Configurations on the main program screen displays this menu:

CMOS Setup Utility – Copyright (C) 1984 – 2001 Award Software
PnP/PCI Configurations

		Item Help
Reset Configuration Data	[Disabled]	
Resources Controlled by x IRQ Resources	[Auto(ESCD)] Press Enter	Menu Level ►
PCI/VGA Palette Snoop	[Disabled]	Default is Disabled.
Assign IRQ for VGA	[Enabled]	Select Enabled to reset
INT Pin 2 Assignment	[Auto]	Extended System Con-
INT Pin 1 Assignment	[Auto]	figuration Data (ESCD)
INT Pin 2 Assignment	[Auto]	when you exit Setup if you
INT Pin 3 Assignment	[Auto]	have installed a new add-
INT Pin 4 Assignment	[Auto]	on and the system recon-
		figuration has caused
		such a serious conflict
		that the OS cannot boot

- : Move ® : Select +/-/PU/PD:Value: F10: Save ESC: Exit F1:General Help
F5:Previous Values F6:Fail-Safe Defaults F7:Optimized Defaults

Reset Configuration Data (Disabled)

If you enable this item and restart the system, any Plug and Play configuration data stored in the BIOS setup is cleared from memory. New updated data is created.

Resources Controlled By (Auto(ESCD))

You should leave this item at the default Auto(ESCD). Under this setting, the system dynamically allocates resources to Plug and Play devices as they are required.

If you cannot get a legacy ISA (Industry Standard Architecture) expansion card to work properly, you might be able to solve the problem by changing this item to Manual, and then opening up the IRQ Resources and Memory Resources submenus.

In the IRQ Resources submenu, if you change any of the IRQ assignments to Legacy ISA, then that Interrupt Request Line is reserved for a legacy ISA expansion card. Press <Esc> to close the IRQ Resources submenu.

In the Memory Resources submenu, use the first item Reserved Memory Base to set the start address of the memory you want to reserve for the ISA expansion card. Use the second item Reserved Memory Length to set the amount of reserved memory. Press <Esc> to close the Memory Resources submenu.

PCI/VGA Palette Snoop (Disabled)

This item is designed to overcome some problems that can be caused by some non-standard VGA cards. This board includes a built-in VGA system that does not require palette snooping so you must leave this item disabled.

Assign IRQ for VGA (Enabled)

Use this item to enable to assign an IRQ for the VGA. Please note that some VGA does not work properly when an IRQ is not assigned.

INT Pin 1-4 Assignment (Auto)

Identifies the interrupt request (IRQ) line assigned to a device connected to the PCI interface of your system.

PCI Health Status Option

On mainboards that support hardware monitoring, this item lets you monitor the parameters for critical voltages, critical temperatures, and fan speeds. You cannot make any changes to these fields. They are display only:

CMOS Setup Utility – Copyright (C) 1984 – 2001 Award Software
PC Health Status

Shutdown Temperature [Disabled]	Item Help
CPU Core Voltage	Menu Level ▶
Vcc 2.5V	
Vcc 3.3V	
Vcc 5.0V	
+12V	
StandBy 3.3V	
StandBy 5.0V	
Voltage Battery	
System Temperature	
CPU Temperature	
CPU FAN speed	
PWR Fan1 Speed	
PWR Fan2 Speed	

- ® ← : Move Enter : Select +/-/PU/PD:Value: F10: Save ESC: Exit F1:General Help
F5:Previous Values F6:Fail-Safe Defaults F7:Optimized Defaults

Shutdown Temperature

Enables you to set the maximum temperature the system can reach before powering down.

System Component Characteristics

These fields provide you with information about the systems current operating status. You cannot make changes to these fields.

Frequency/Voltage Control

This item enables you to set the clock speed and system bus for your system. The clock speed and system bus are determined by the kind of processor you have installed in your system.

CMOS Setup Utility – Copyright (C) 1984 – 2001 Award Software
Frequency/Voltage Control

Auto Detect DIMM/PCI Clk	[Enabled]	Item Help
Spread Spectrum Modulated	[Enabled]	Menu Level ▶
CPU Host/PCI Clock	[Default]	
CPU Vcore Voltage	[Default]	

- : Move ® : Select +/-/PU/PD: Value: F10: Save ESC: Exit F1: General Help
F5: Previous Values F6: Fail-Safe Defaults F7: Optimized Defaults

Auto Detect DIMM/PCI Clk (Enabled)

When this item is enabled, BIOS will disable the clock signal of free DIMM and PCI slots.

Spread Spectrum (Enabled)

If you enable spread spectrum, it can significantly reduce the EMI (Electro-Magnetic Interference) generated by the system.

CPU Host Clock (CPU/PCI) (Default)

Use the CPU Host Clock to set the frontside bus frequency for the installed processor or processors (usually 133 MHz, 100 MHz or 66 MHz).

CPU Vcore Voltage (Default)

Use this item to set the CPU Vcore without using the CPU internal value.

Note: Modifying the CPU Vcore Voltage may cause the system to become unstable. Use caution and proceed at your own risk.

Load Fail-Safe Defaults Option

This option opens a dialog box that lets you install fail-safe defaults for all appropriate items in the Setup Utility:

Press <Y> and then <Enter> to install the defaults. Press <N> and then <Enter> to not install the defaults. The fail-safe defaults place no great demands on the system and are generally stable. If your system is not functioning correctly, try installing the fail-safe defaults as a first step in getting your system working properly again. If you only want to install fail-safe defaults for a specific option, select and display that option, and then press <F6>.

Load Optimized Defaults Option

This option opens a dialog box that lets you install optimized defaults for all appropriate items in the Setup Utility. Press <Y> and then <Enter> to install the defaults. Press <N> and then <Enter> to not install the defaults. The optimized defaults place demands on the system that may be greater than the performance level of the components, such as the CPU and the memory. You can cause fatal errors or instability if you install the optimized defaults when your hardware does not support them. If you only want to install setup defaults for a specific option, select and display that option, and then press <F7>.

Set Password Option

This item can be used to install a password. To install a password, follow these steps:

1. Highlight the item Set Password on the main menu and press <Enter>.
2. The password dialog box appears.

Enter Password:

3. If you are installing a new password, type in the password. You cannot use more than eight characters or numbers. The Set Password item differentiates between upper case and lower characters. Press <Enter> after you have typed in the password. If you are deleting a password that is already installed just press <Enter> when the password dialog box appears. You see a message that indicates that the password has been disabled.

PASSWORD DISABLED !!!
Press any key to continue . . .

4. Press any key. You are prompted to confirm the password:

Confirm Password:

5. Type the password again and press <Enter>, or just press <Enter> if you are deleting a password that is already installed.
6. If you typed the password correctly, the password will be installed.

Save & Exit Setup Option

Highlight this item and press <Enter> to save the changes that you have made in the Setup Utility and exit the Setup Utility. When the Save and Exit dialog box appears, press <Y> to save and exit, or press <N> to return to the main menu:

Exit Without Saving

Highlight this item and press <Enter> to discard any changes that you have made in the Setup Utility and exit the Setup Utility. When the Exit Without Saving dialog box appears, press <Y> to discard changes and exit, or press <N> to return to the main menu.

Note: If you have made settings that you do not want to save, use the "Exit Without Saving" item and press Y to discard any changes you have made.

This concludes Chapter 3. Refer to the next chapter for information on the software supplied with the mainboard.

Chapter 4

Using the Mainboard Software

About the Software CD-ROM

The support software CD-ROM that is included in the mainboard package contains all the drivers and utility programs needed to properly run the bundled products. Below you can find a brief description of each software program, and the location for your mainboard version. More information on some programs is available in a README file, located in the same directory as the software.

Note: Never try to install software from a folder that is not specified for use with your mainboard.

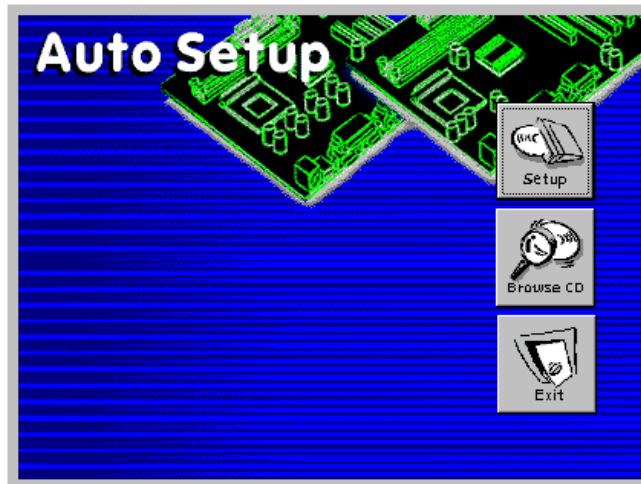
Before installing any software, always inspect the folder for files named README.TXT, INSTALL.TXT, or something similar. These files may contain important information that is not included in this manual

Auto-installing under Windows 98

The Auto-install CD-ROM makes it easy for you to install the drivers and software for your mainboard.

Note: If the Auto-install CD-ROM does not work on your system, you can still install drivers through the file manager for your OS (for example, Windows Explorer). Refer to Utility Folder Installation Notes later in this chapter.

The support software CD-ROM disc loads automatically under Windows 98. When you insert the CD-ROM disc in the CD-ROM drive, the autorun feature will automatically bring up the install screen. The screen has three buttons on it, Setup, Browse CD and Exit.



Note: If the opening screen doesn't appear, double-click the file "setup.exe" in the root directory.

Setup

Click the Setup button to run the software installation program. Select from the menu which software you want to install.

Browse CD

The Browse CD button is the standard Windows command that allows you to open Windows Explorer and show the contents of the support CD.

Before installing the software from Windows Explorer, look for a file named README.TXT, INSTALL.TXT or something similar. This file may contain important information to help you install the software correctly.

Some software is installed in separate folders for different operating systems, such as DOS, WIN NT, or WIN98/95. Always go to the correct folder for the kind of OS you are using.

To install the software, execute a file named SETUP.EXE or INSTALL.EXE by double-clicking the file and then following the instructions on the screen.

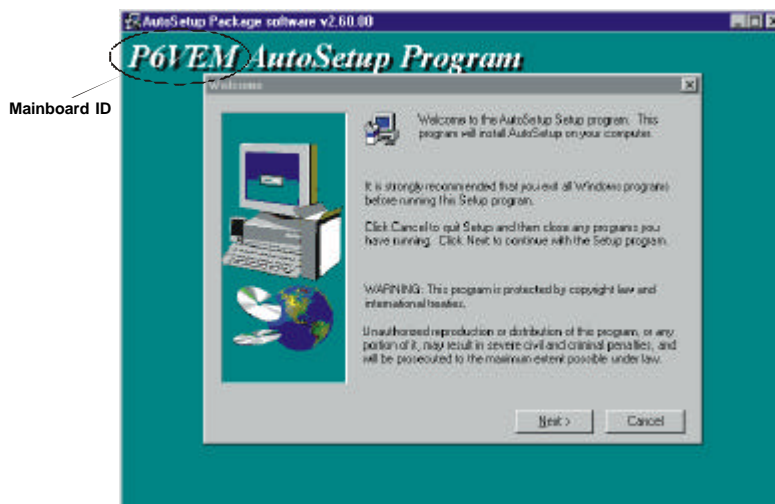
Exit

The Exit button closes the Auto Setup window.

Running Setup

Follow these instructions to install device drivers and software for the mainboard:

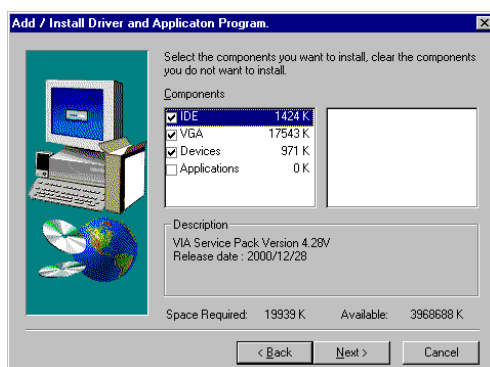
1. Click **Setup**. The installation program begins:



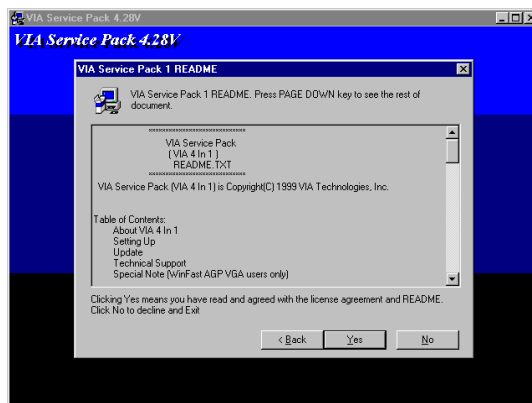
Note: The following screens are examples only. The screens and driver lists will be different according to the mainboard you are installing.

The mainboard identification is located in the upper left-hand corner.

2. Click **Next**. The following screen appears:



3. Check the box next to the items you want to install. The default options are recommended.
4. Click **Next** run the Installation Wizard. An item installation screen appears:



5. Follow the instructions on the screen to install the items.

Drivers and software are automatically installed in sequence. Follow the onscreen instructions, confirm commands and allow the computer to restart a few times to complete the installation.

Manual Installation

Insert the CD in the CD-ROM drive and locate the PATH.DOC file in the root directory. This file contains the information needed to locate the drivers for your mainboard.

Look for the chipset and mainboard model; then browse to the directory and path to begin installing the drivers. Most drivers have a setup program (SETUP.EXE) that automatically detects your operating system before installation. Other drivers have the setup program located in the operating system subfolder.

If the driver you want to install does not have a setup program, browse to the operating system subfolder and locate the readme text file (README.TXT or README.DOC) for information on installing the driver or software for your operating system.

Utility Software Reference

All the utility software available on the CD-ROM is Windows compliant. It is provided only for the convenience of users. The following software is furnished under license and may only be used or copied in accordance with the terms of the license.

Note: The software in these folders is subject to change at anytime without prior notice. Please refer to the support CD for available software.

Award Flash Memory Utility

This utility enables you to erase the system BIOS stored on a Flash Memory chip on the mainboard, and lets you copy an updated version of the BIOS to the chip. Proceed with caution when using this program. If you erase the current BIOS and fail to write a new BIOS, or write a new BIOS that is incorrect, your system will malfunction. Refer to Chapter 3, Using BIOS for more information.

PC-CILLIN

The PC-CILLIN software program provides anti-virus protection for your system. This program is available for Windows 2000/ME/98SE and Windows NT. Be sure to check the e-adme.txt and install the appropriate anti-virus software for your operating system.

We strongly recommend users to install this free anti-virus software to help protect your system against viruses.

Note: Update your virus software regularly to protect against new viruses.

MediaRing Talk – Telephony Software

To install the MediaRing Talk voice modem software for the built-in modem, run MRTALK-SETUP72.EXE from the following directory:

UTILITY\MEDIARING TALK

Super Voice – Fax/Modem Software

To install the Super Voice voice, fax, data communication application for use with the built-in fax/modem, run PICSHELL.EXE from the following directory:

UTILITY\SUPER VOICE

CD Ghost

The CD Ghost software enables you to create a virtual cabinet of CD-ROM drives on your system to help you categorize and organize your CD collection. A user-friendly interface assists you in quickly creating images of both CDs and DVDs onto your system. To install the software, run SETUP.EXE from the following directory:

UTILITY\CDGHOST\ENG\CDGHOST

Recovery Genius

The Recovery Genius software program is an innovative windows application system that protects your Hard Disk Drive

from virus intrusion, accidental deletions, and system corruption. To install the Recovery Genius software program run SETUP.EXE from the following directory

\UTILITY\RECOVERY GENIUS\ENG\RECOVERYGENIUS

Language Genius

The Language Genius is a software-based product that helps you to learn new languages. To install the Language Genius software program run SETUP.EXE from the following directory

\UTILITY\LANGUAGE GENIUS\ENG\LANGUAGEGENIUS

PageABC

The PageABC application software enables you to create your own home page. To install the PageABC, run SETUP.EXE from the following directory:




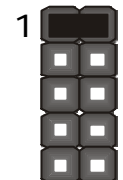
\UTILITY\PageABC

This concludes Chapter 4.

Appendix A

Setting Jumpers

Jumper Settings

Jumper	Type	Description	Setting (default)
JP1	3 pin	Clear CMOS	1-2: Normal 2-3: <i>Clear</i> JP1 1 
JP2	3 pin	KB wake-up function	1-2: Enable 2-3: <i>Disable</i> JP2 1 
JP3	2 pin	BIOS protection	Open: Disable Short: <i>Enable</i> JP3 1 
FIDJP	10 pin	CPU ratio selector	Refer to next page FIDJP 1 

JP1 Clear CMOS

Enables you to clear the BIOS:

1. Turn the system off.
2. Short pins 2 and 3 on jumper 1.
3. Return the jumper to the normal setting.
4. Turn the system on. The BIOS is returned to the default settings.

JP2 KB wake-up function

Enables you to wake-up the system by PS/2 keyboard.

JP3 BIOS protection

Enables you to prevent the BIOS from being up dated (flushed). Open the jumper if you are going to update your BIOS. After updating the BIOS, short the jumper to protect the BIOS from being flashed. For instructions on updating the BIOS refer to Chapter 3.

FIDJP CPU ratio selector

Enables you to set the CPU ratio. Please make sure that your CPU ratio can be adjusted.

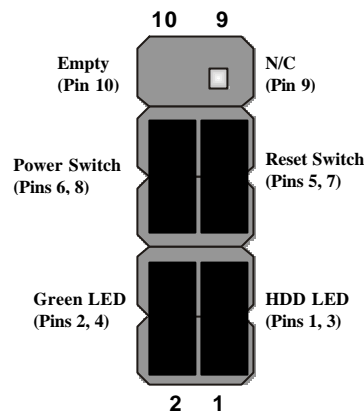
1-2	3-4	5-6	7-8	9-10	Ratio
Short					By CPU
Open	Open	Open	Open	Open	10.5
Open	Open	Open	Open	Short	6.5
Open	Open	Open	Short	Open	8.5
Open	Open	Open	Short	Short	12.5 (higher)
Open	Open	Short	Open	Open	9.5
Open	Open	Short	Open	Short	5.5
Open	Open	Short	Short	Open	7.5
Open	Open	Short	Short	Short	11.5
Open	Short	Open	Open	Open	10.0
Open	Short	Open	Open	Short	6.0
Open	Short	Open	Short	Open	8.0
Open	Short	Open	Short	Short	12.0
Open	Short	Short	Open	Open	9.0
Open	Short	Short	Open	Short	5.0
Open	Short	Short	Short	Open	7.0
Open	Short	Short	Short	Short	11.0

The Panel and LPanel Connectors

The panel connectors provide a set of switch and LED connectors found on ATX or Micro ATX cases. Select one from the two types of panel connector supported by this mainboard.

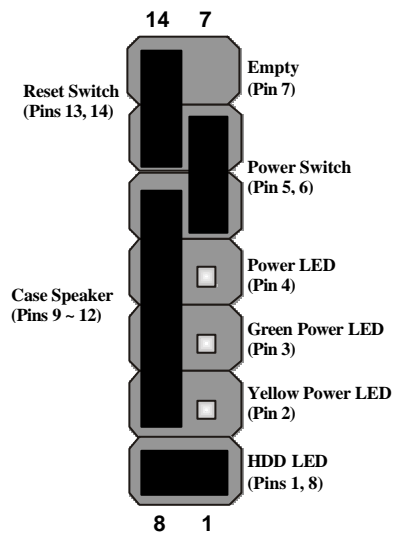
PANEL

Device	Pins
Empty	10
N/C	9
Power ON/OFF	6, 8
Reset Switch	5, 7
Green LED Indicator	2, 4
HDD LED	+1, -3



L PANEL

Device	Pins
Reset Switch	13, 14
Case Speaker	9 ~ 12
Power Switch	5, 6
Power LED	+4
Green Power LED	-3
Yellow Power LED	-2
HDD LED	+1, -8



Note: The plus sign (+) indicates a pin which must be connected to a positive voltage.