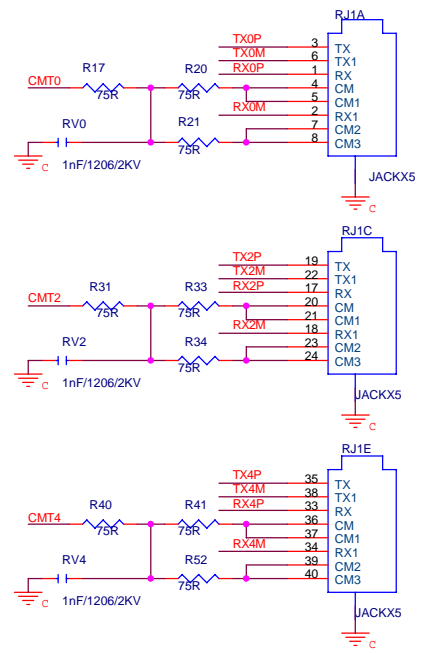
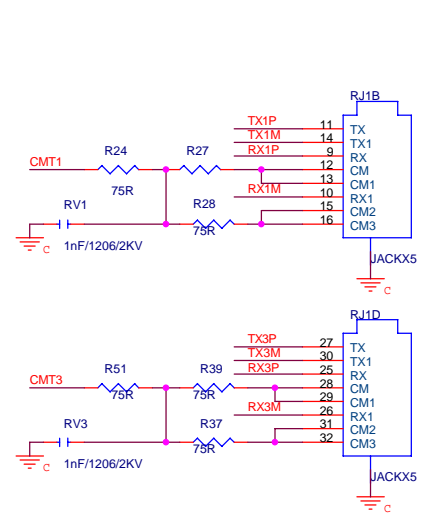
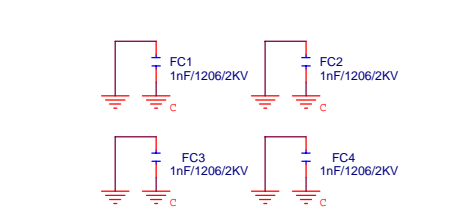
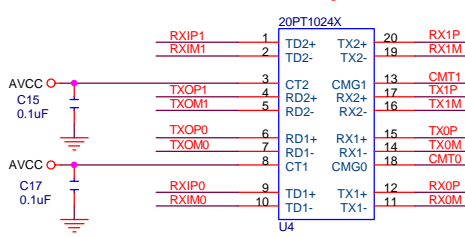
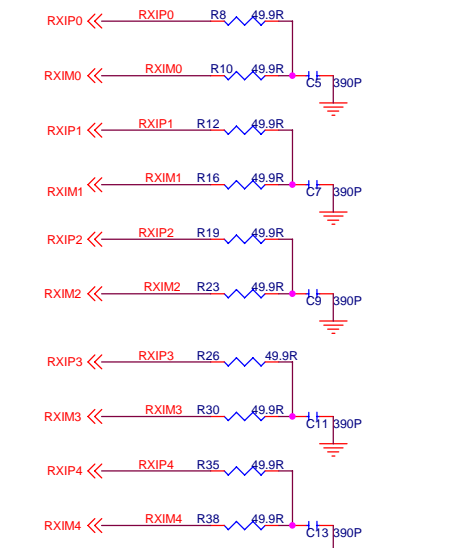
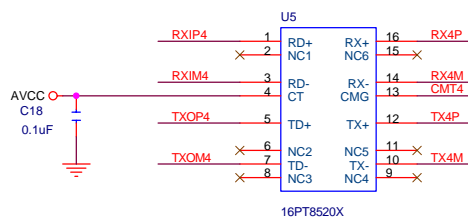
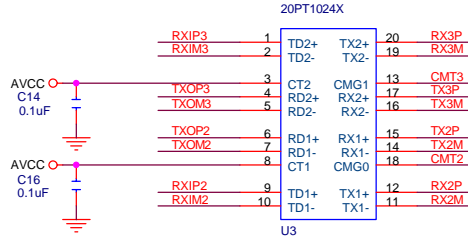
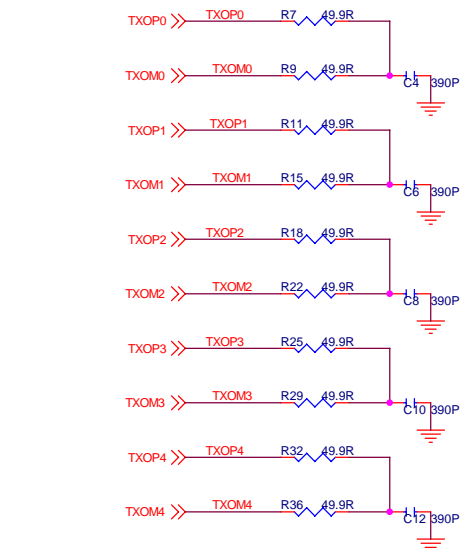


<b>IC+</b>		
Title		
<b>IP175C_Dumb_Switch</b>		
Size A	Document Number <b>Block Diagram</b>	Rev V5.0
Date:	Monday, April 17, 2006	Sheet 1 of 6

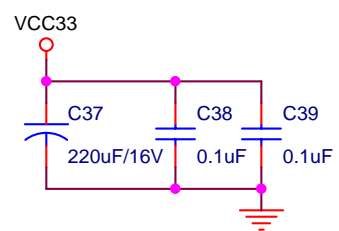
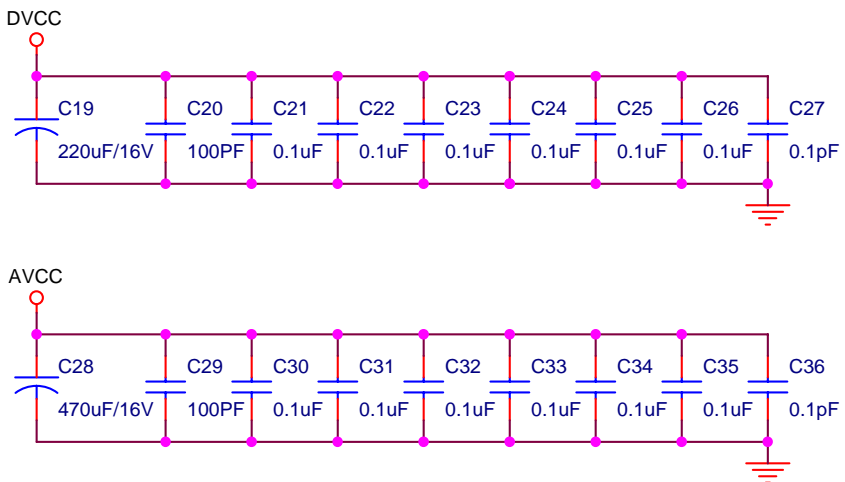
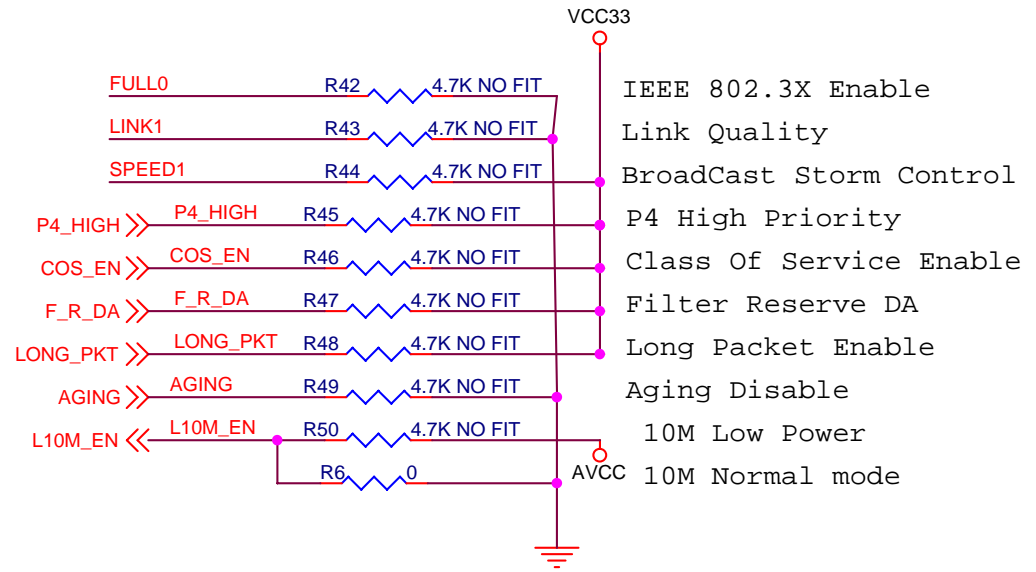
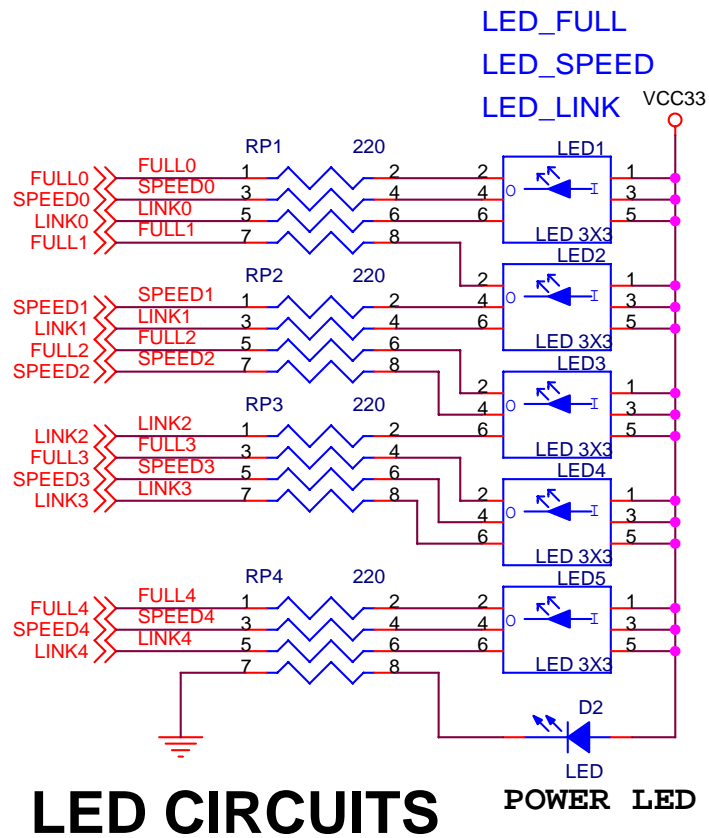




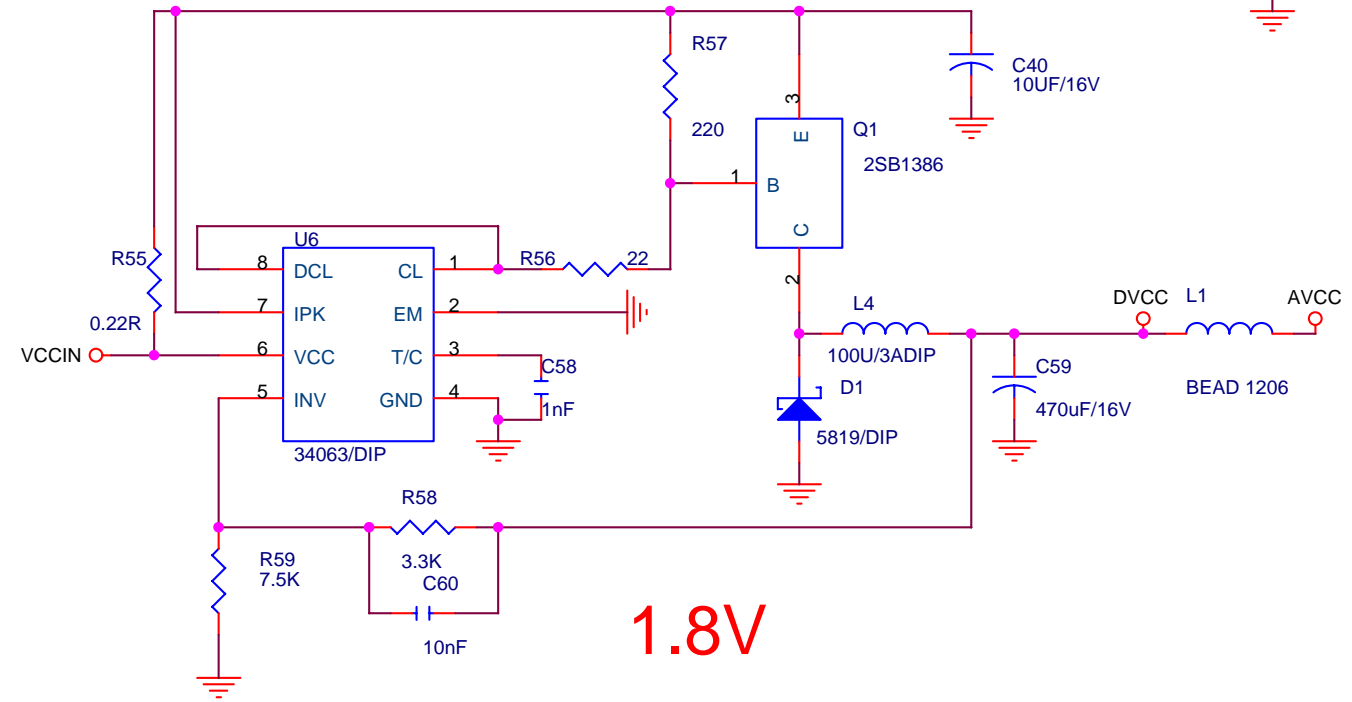
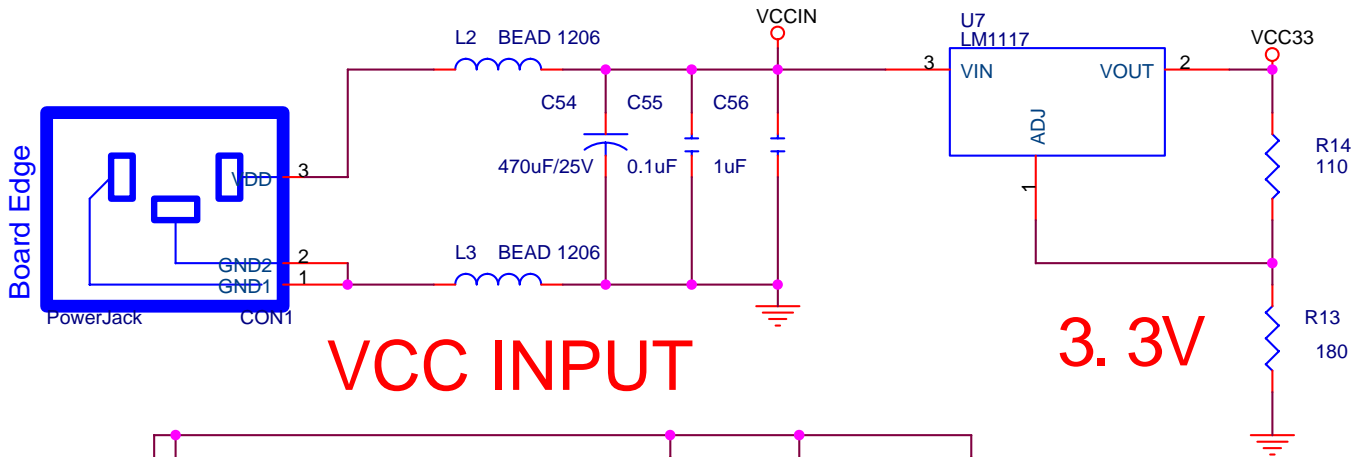
MDIX

# TRANSFORMER&RJ45 CIRCUITS

<b>IC+</b>		
Title <b>IP175C_Dumb_Switch</b>		
Size B	Document Number <b>TRANSFORMER&amp;RJ45</b>	Rev V5.0
Date: Monday, April 17, 2006	Sheet 3	of 6



<b>IC+</b>		
Title <b>IP175C_Dumb_Switch</b>		
Size A	Document Number <b>LED&amp;Setting</b>	Rev V5.0
Date: Monday, April 17, 2006	Sheet 4	of 6




# POWER CIRCUITS

<b>IC+</b>		
Title <b>IP175C_Dumb_Switch</b>		
Size A	Document Number <b>Power</b>	Rev V5.0
Date: Monday, April 17, 2006	Sheet 5	of 6

**IP175C\_R05.DSN compares with IP175C\_R04.DSN**

VERSION	IP175C_R04.DSN					IP175C_R05.DSN				
	PIN NO.	PIN NAME	PARTS	APPLICATION CIRCUIT	SYMBOL	PIN NO.	PIN NAME	PARTS	APPLICATION CIRCUIT	SYMBOL
PAGE3				RV0, RV1, RV2, RV3, RV4 : .1U/1206/2KV					RV0, RV1, RV2, RV3, RV4 : 1nF/1206/2KV	
PAGE3				FC1, FC2, FC3, FC4 : .01U/1206/2KV					FC1, FC2, FC3, FC4 : 1nF/1206/2KV	

		
Title		
<b>IP175C_Dumb_Switch</b>		
Size B	Document Number NOTE	Rev V5.0
Date:	Monday, April 17, 2006	Sheet 6 of 6