

SHEET TITLE

SHEET	TITLE
01	COVER SHEET
02	BOM & PCB MODIFY HISTORY
03	BLOCK DIAGRAM
04	P4 LGA775 A
05	P4 LGA775 B,D
06	P4 LGA775 C
07	P4 LGA775 E,F,G,H
08	GMCH-BEARLAKE HOST
09	GMCH-BEARLAKE DDRII
10	GMCH-BEARLAKE PCI E, DMI
11	GMCH-BEARLAKE VGA
12	GMCH-BEARLAKE GND
13	GMCH-BEARLAKE PWR
14	PCI EXPRESS*16 SLOT
15	DDRII CHANNEL A 1,2
16	DDRII CHANNEL B 1,2
17	DDRII TERMINATION
18	ICH9 PCI, USB, DMI, LAN
19	ICH9 GPIO, CTRL
20	ICH9 SATA, FAN PWM
21	ICH9 VCC, GND
22	CLOCK GEN CK505
23	PCI EXPRESS*1 , PCI SLOT 1,2
24	FDD/F USB
25	ITE8718GB
26	COM,LPT
27	BIOS, CI, HWM, KB/MS

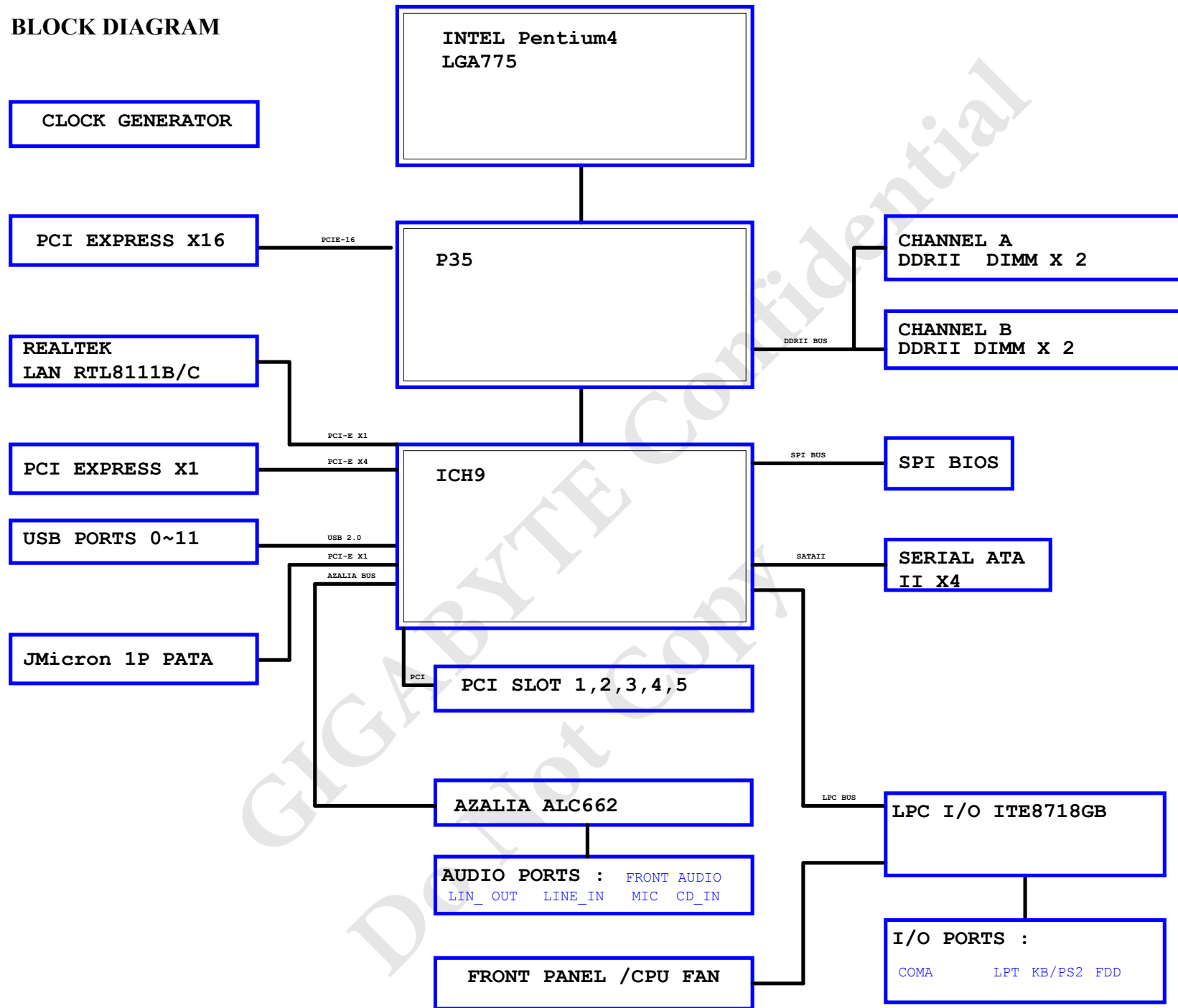
SHEET TITLE

SHEET	TITLE
28	AZALIA ALC662
29	AUDIO JACK
30	DISCRETE POWER
31	VCORE PWM ISL6312-3 PHASE
32	ATX POWER
33	FRONT PANEL, FUSB, FDD
34	JMicron 1P PATA-JMB368
35	LAN REALTEK RTL8111B/C
36	PCI SLOT 3,4,5

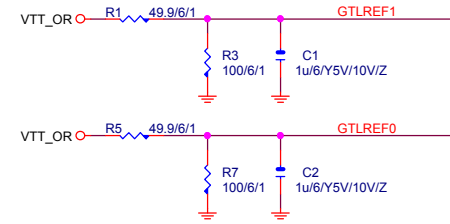
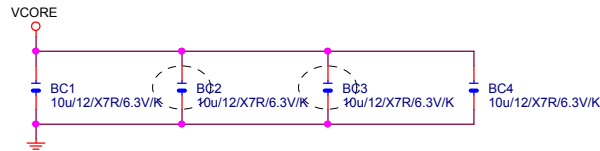
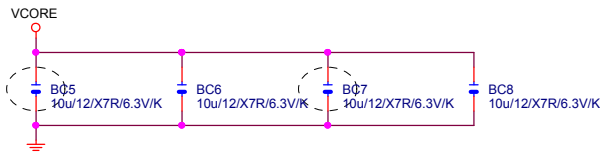
Gigabyte Technology

Title		
Cover Sheet		
Size	Document Number	Rev
Custom	P35-S3G	1.0
Date:	Thursday, November 15, 2007	Sheet 1 of 36

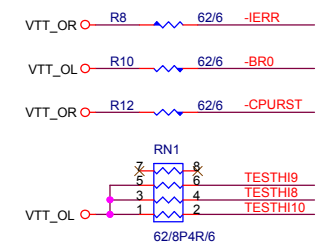
# BLOCK DIAGRAM



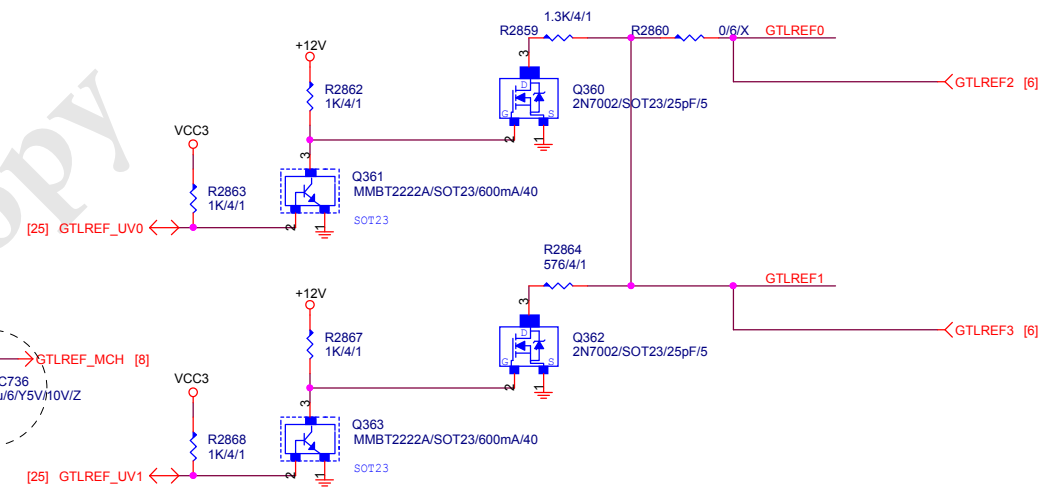
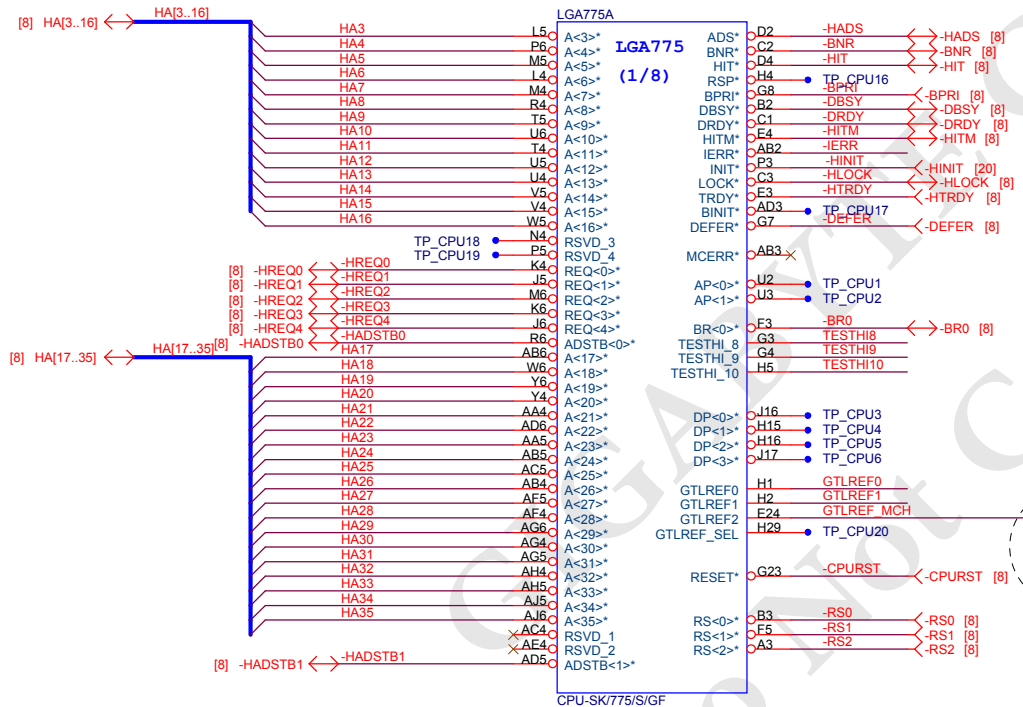




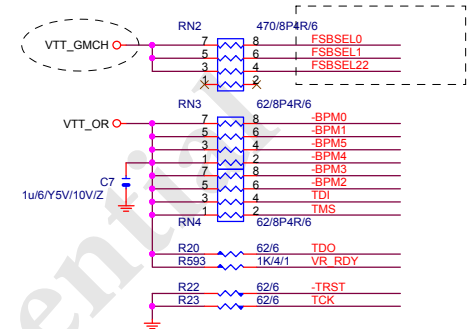
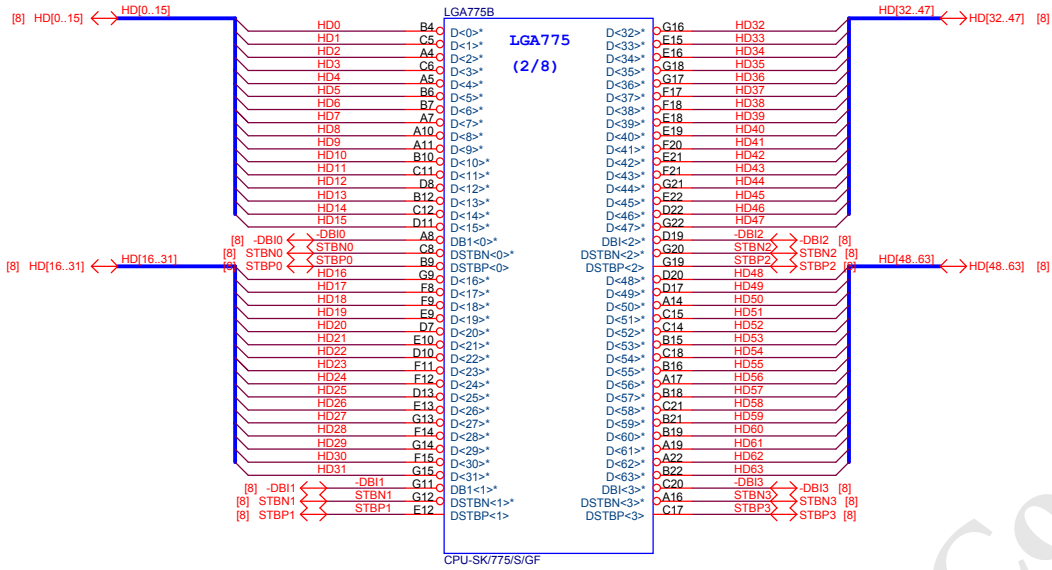
中間値0.9V



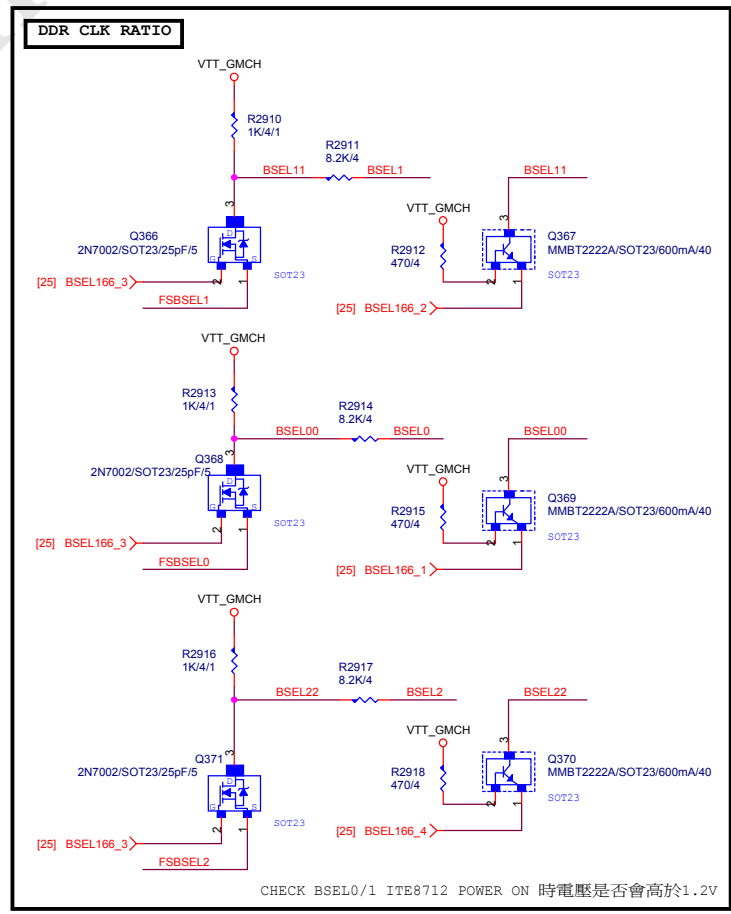
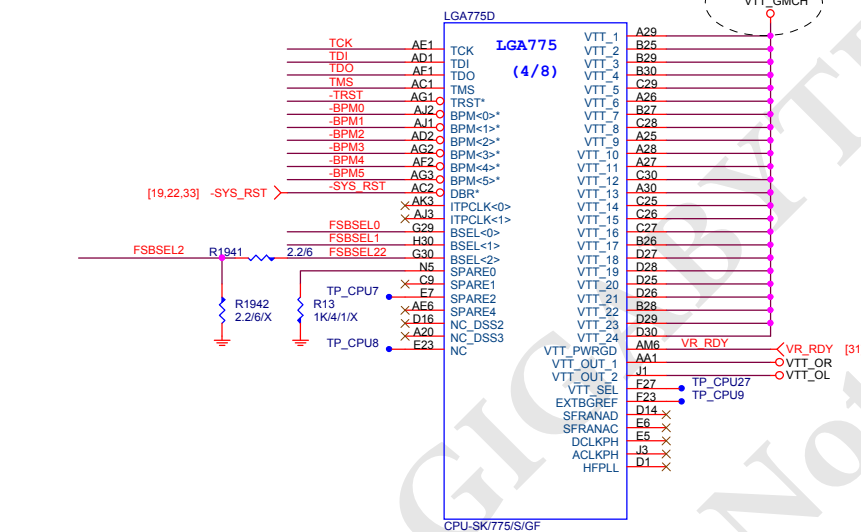
LGA775-39



<b>Gigabyte Technology</b>		
Title <b>P4_LGA775-A</b>		
Size B	Document Number <b>P35-S3G</b>	Rev <b>1.0</b>
Date: Thursday, November 15, 2007	Sheet 4	of 36



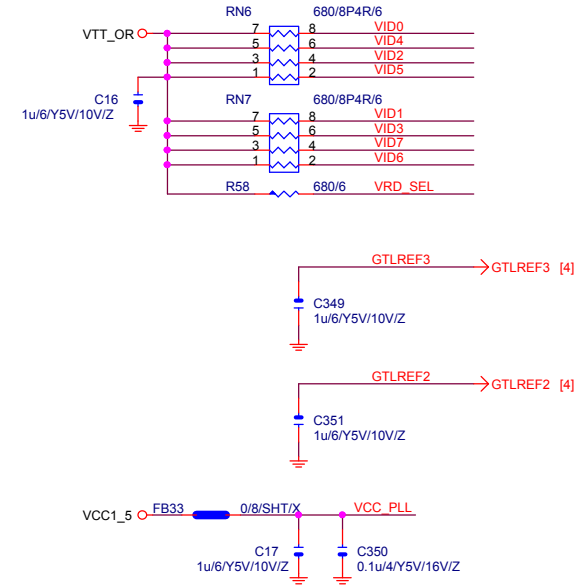
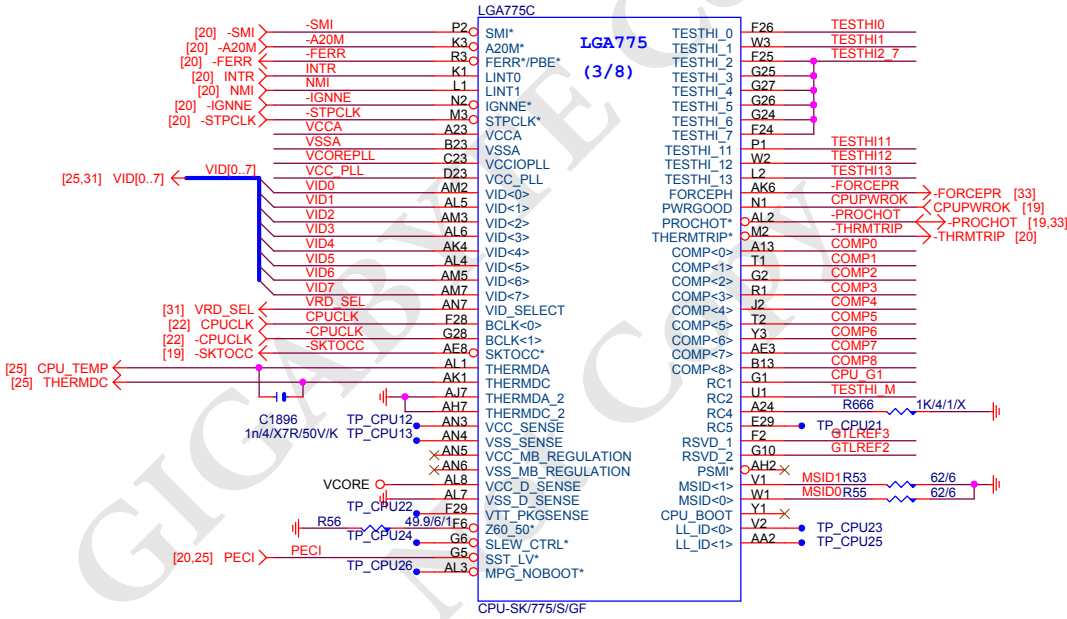
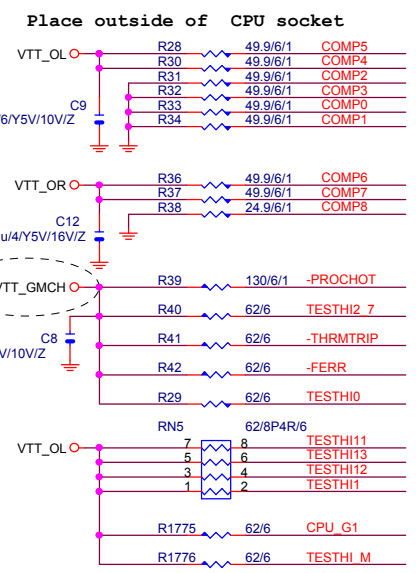
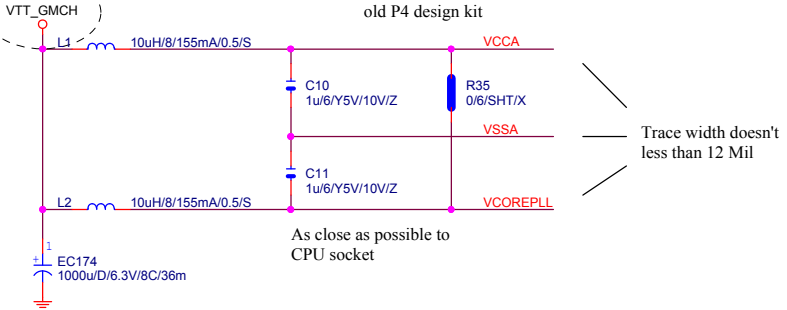
TO CLK GEN [22] FSBSEL0 R14 8.2K/4X BSEL0 BSEL0 [11]  
 [22] FSBSEL1 R15 8.2K/4X BSEL1 BSEL1 [11]  
 [22] FSBSEL2 R16 8.2K/4X BSEL2 BSEL2 [11]



CHECK BSEL0/1 ITE8712 POWER ON 時電壓是否會高於1.2V

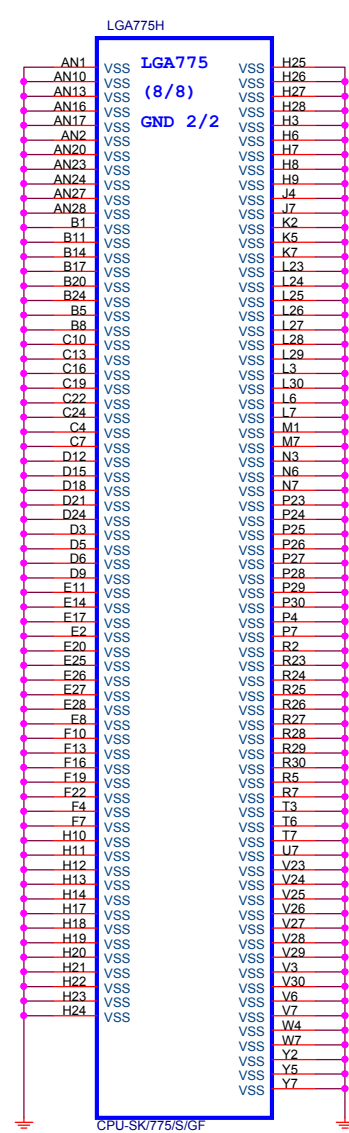
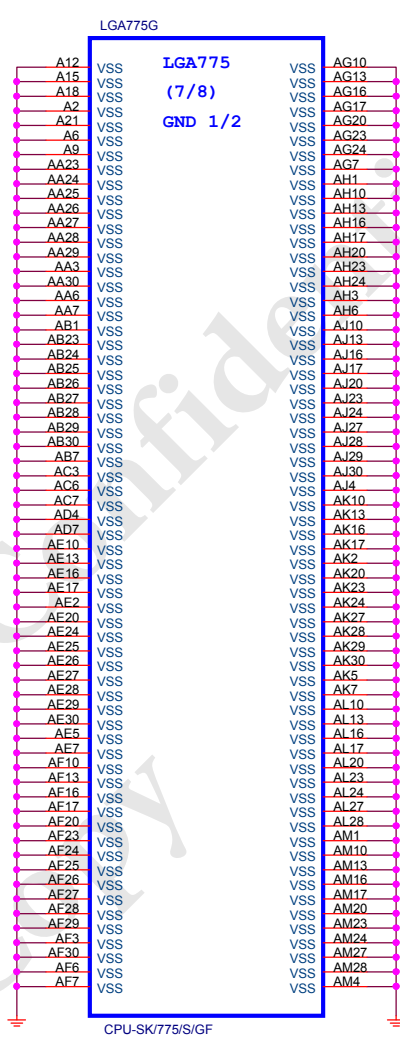
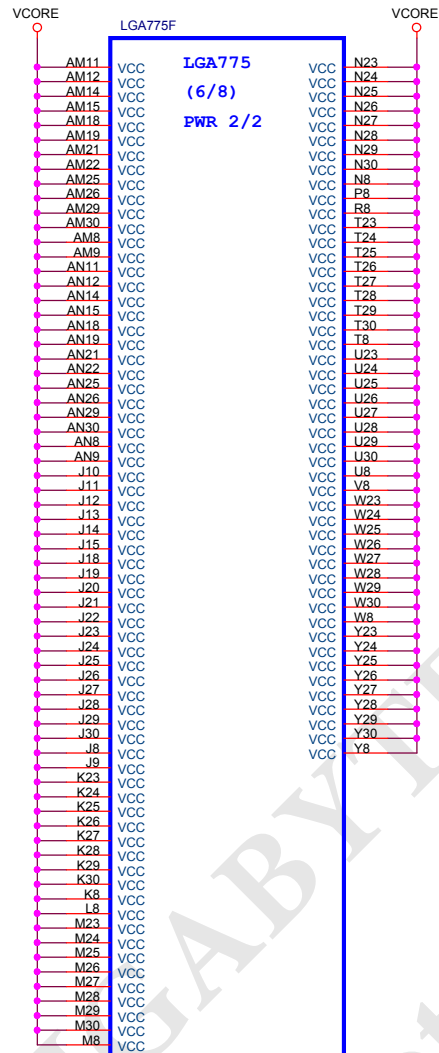
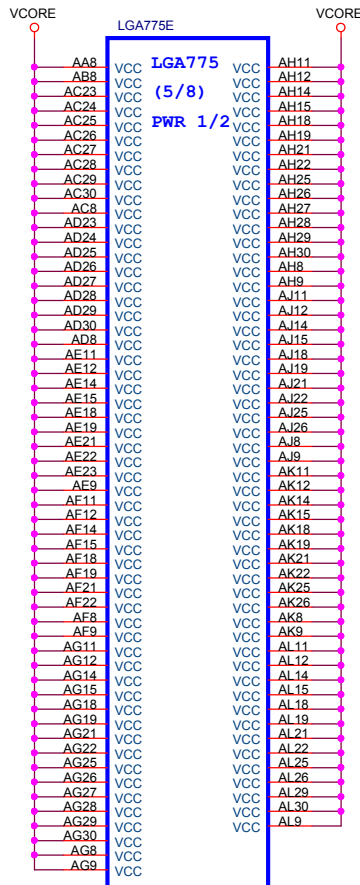
	FSA	FSB	FSC	Clock	
?	1	0	1	100MHz	
?	1	0	0	133MHz	3/4
G33	0	1	0	200MHz	400/533/667/800
G33	0	0	0	266MHz	2/2.66/3.33/4
G33	0	0	1	333MHz	533/667/800
					667/800

**Note:**  
VCCA & VCOREPLL  
define doesn't same as  
old P4 design kit



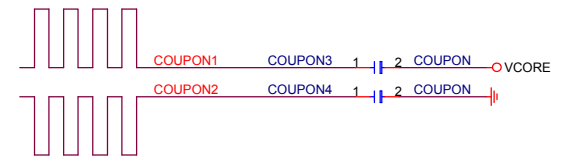
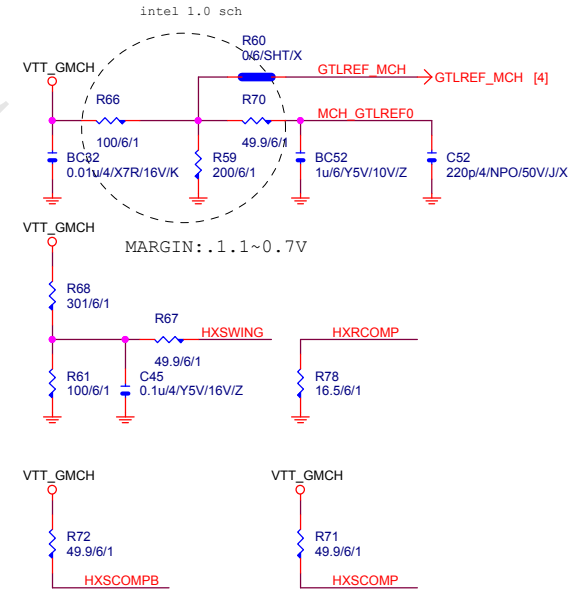
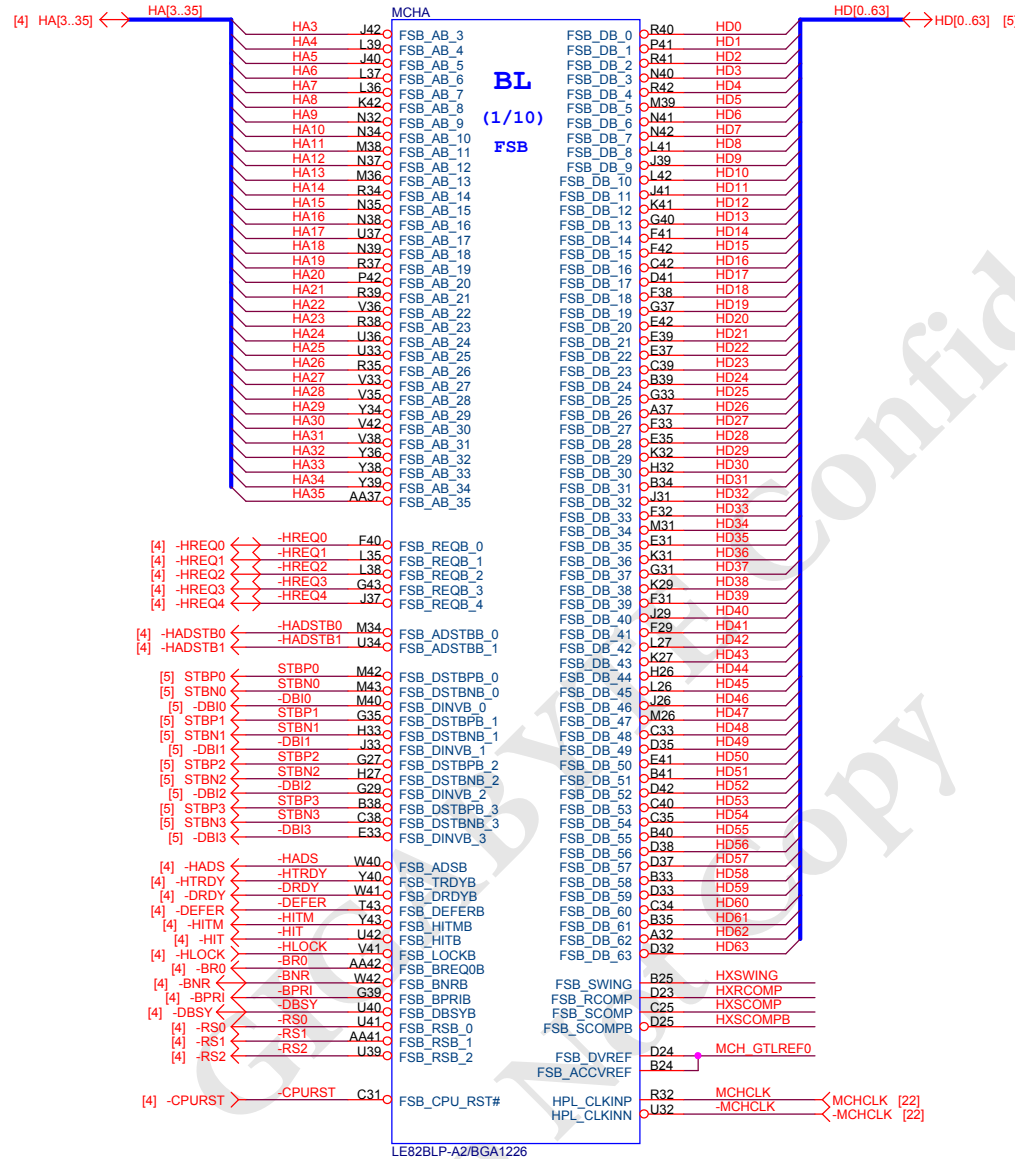
<b>Gigabyte Technology</b>		
Title <b>P4_LGA775-C</b>		
Size B	Document Number <b>P35-S3G</b>	Rev <b>1.0</b>
Date:	Thursday, November 15, 2007	Sheet 6 of 36

PECI: Platform Environment Control Interface



**Gigabyte Technology**

Title			<b>P4_LGA775-E,F,G,H</b>		
Size B	Document Number	<b>P35-S3G</b>			Rev
					<b>1.0</b>
Date:	Thursday, November 15, 2007	Sheet	7	of	36



<b>Gigabyte Technology</b>		
Title <b>GMCH-HOST</b>		
Size B	Document Number <b>P35-S3G</b>	Rev <b>1.0</b>
Date:	Thursday, November 15, 2007	Sheet 8 of 36



MCHB

BL (2/10) DDR\_A

DDR\_A\_DOS\_0

DDR\_A\_DOSB\_0

DDR\_A\_DM\_0

DDR\_A\_DM\_1

DDR\_A\_DM\_2

DDR\_A\_DM\_3

DDR\_A\_DM\_4

DDR\_A\_DM\_5

DDR\_A\_DM\_6

DDR\_A\_DM\_7

DDR\_A\_DM\_8

DDR\_A\_DM\_9

DDR\_A\_DM\_10

DDR\_A\_DM\_11

DDR\_A\_DM\_12

DDR\_A\_DM\_13

DDR\_A\_DM\_14

DDR\_A\_DM\_15

DDR\_A\_DM\_16

DDR\_A\_DM\_17

DDR\_A\_DM\_18

DDR\_A\_DM\_19

DDR\_A\_DM\_20

DDR\_A\_DM\_21

DDR\_A\_DM\_22

DDR\_A\_DM\_23

DDR\_A\_DM\_24

DDR\_A\_DM\_25

DDR\_A\_DM\_26

DDR\_A\_DM\_27

DDR\_A\_DM\_28

DDR\_A\_DM\_29

DDR\_A\_DM\_30

DDR\_A\_DM\_31

DDR\_A\_DM\_32

DDR\_A\_DM\_33

DDR\_A\_DM\_34

DDR\_A\_DM\_35

DDR\_A\_DM\_36

DDR\_A\_DM\_37

DDR\_A\_DM\_38

DDR\_A\_DM\_39

DDR\_A\_DM\_40

DDR\_A\_DM\_41

DDR\_A\_DM\_42

DDR\_A\_DM\_43

DDR\_A\_DM\_44

DDR\_A\_DM\_45

DDR\_A\_DM\_46

DDR\_A\_DM\_47

DDR\_A\_DM\_48

DDR\_A\_DM\_49

DDR\_A\_DM\_50

DDR\_A\_DM\_51

DDR\_A\_DM\_52

DDR\_A\_DM\_53

DDR\_A\_DM\_54

DDR\_A\_DM\_55

DDR\_A\_DM\_56

DDR\_A\_DM\_57

DDR\_A\_DM\_58

DDR\_A\_DM\_59

DDR\_A\_DM\_60

DDR\_A\_DM\_61

DDR\_A\_DM\_62

DDR\_A\_DM\_63

DDR\_A\_DM\_64

DDR\_A\_DM\_65

DDR\_A\_DM\_66

DDR\_A\_DM\_67

DDR\_A\_DM\_68

DDR\_A\_DM\_69

DDR\_A\_DM\_70

DDR\_A\_DM\_71

DDR\_A\_DM\_72

DDR\_A\_DM\_73

DDR\_A\_DM\_74

DDR\_A\_DM\_75

DDR\_A\_DM\_76

DDR\_A\_DM\_77

DDR\_A\_DM\_78

DDR\_A\_DM\_79

DDR\_A\_DM\_80

DDR\_A\_DM\_81

DDR\_A\_DM\_82

DDR\_A\_DM\_83

DDR\_A\_DM\_84

DDR\_A\_DM\_85

DDR\_A\_DM\_86

DDR\_A\_DM\_87

DDR\_A\_DM\_88

DDR\_A\_DM\_89

DDR\_A\_DM\_90

DDR\_A\_DM\_91

DDR\_A\_DM\_92

DDR\_A\_DM\_93

DDR\_A\_DM\_94

DDR\_A\_DM\_95

DDR\_A\_DM\_96

DDR\_A\_DM\_97

DDR\_A\_DM\_98

DDR\_A\_DM\_99

DDR\_A\_DM\_100

DDR\_A\_DM\_101

DDR\_A\_DM\_102

DDR\_A\_DM\_103

DDR\_A\_DM\_104

DDR\_A\_DM\_105

DDR\_A\_DM\_106

DDR\_A\_DM\_107

DDR\_A\_DM\_108

DDR\_A\_DM\_109

DDR\_A\_DM\_110

DDR\_A\_DM\_111

DDR\_A\_DM\_112

DDR\_A\_DM\_113

DDR\_A\_DM\_114

DDR\_A\_DM\_115

DDR\_A\_DM\_116

DDR\_A\_DM\_117

DDR\_A\_DM\_118

DDR\_A\_DM\_119

DDR\_A\_DM\_120

DDR\_A\_DM\_121

DDR\_A\_DM\_122

DDR\_A\_DM\_123

DDR\_A\_DM\_124

DDR\_A\_DM\_125

DDR\_A\_DM\_126

DDR\_A\_DM\_127

DDR\_A\_DM\_128

DDR\_A\_DM\_129

DDR\_A\_DM\_130

DDR\_A\_DM\_131

DDR\_A\_DM\_132

DDR\_A\_DM\_133

DDR\_A\_DM\_134

DDR\_A\_DM\_135

DDR\_A\_DM\_136

DDR\_A\_DM\_137

DDR\_A\_DM\_138

DDR\_A\_DM\_139

DDR\_A\_DM\_140

DDR\_A\_DM\_141

DDR\_A\_DM\_142

DDR\_A\_DM\_143

DDR\_A\_DM\_144

DDR\_A\_DM\_145

DDR\_A\_DM\_146

DDR\_A\_DM\_147

DDR\_A\_DM\_148

DDR\_A\_DM\_149

DDR\_A\_DM\_150

DDR\_A\_DM\_151

DDR\_A\_DM\_152

DDR\_A\_DM\_153

DDR\_A\_DM\_154

DDR\_A\_DM\_155

DDR\_A\_DM\_156

DDR\_A\_DM\_157

DDR\_A\_DM\_158

DDR\_A\_DM\_159

DDR\_A\_DM\_160

DDR\_A\_DM\_161

DDR\_A\_DM\_162

DDR\_A\_DM\_163

DDR\_A\_DM\_164

DDR\_A\_DM\_165

DDR\_A\_DM\_166

DDR\_A\_DM\_167

DDR\_A\_DM\_168

DDR\_A\_DM\_169

DDR\_A\_DM\_170

DDR\_A\_DM\_171

DDR\_A\_DM\_172

DDR\_A\_DM\_173

DDR\_A\_DM\_174

DDR\_A\_DM\_175

DDR\_A\_DM\_176

DDR\_A\_DM\_177

DDR\_A\_DM\_178

DDR\_A\_DM\_179

DDR\_A\_DM\_180

DDR\_A\_DM\_181

DDR\_A\_DM\_182

DDR\_A\_DM\_183

DDR\_A\_DM\_184

DDR\_A\_DM\_185

DDR\_A\_DM\_186

DDR\_A\_DM\_187

DDR\_A\_DM\_188

DDR\_A\_DM\_189

DDR\_A\_DM\_190

DDR\_A\_DM\_191

DDR\_A\_DM\_192

DDR\_A\_DM\_193

DDR\_A\_DM\_194

DDR\_A\_DM\_195

DDR\_A\_DM\_196

DDR\_A\_DM\_197

DDR\_A\_DM\_198

DDR\_A\_DM\_199

DDR\_A\_DM\_200

DDR\_A\_DM\_201

DDR\_A\_DM\_202

DDR\_A\_DM\_203

DDR\_A\_DM\_204

DDR\_A\_DM\_205

DDR\_A\_DM\_206

DDR\_A\_DM\_207

DDR\_A\_DM\_208

DDR\_A\_DM\_209

DDR\_A\_DM\_210

DDR\_A\_DM\_211

DDR\_A\_DM\_212

DDR\_A\_DM\_213

DDR\_A\_DM\_214

DDR\_A\_DM\_215

DDR\_A\_DM\_216

DDR\_A\_DM\_217

DDR\_A\_DM\_218

DDR\_A\_DM\_219

DDR\_A\_DM\_220

DDR\_A\_DM\_221

DDR\_A\_DM\_222

DDR\_A\_DM\_223

DDR\_A\_DM\_224

DDR\_A\_DM\_225

DDR\_A\_DM\_226

DDR\_A\_DM\_227

DDR\_A\_DM\_228

DDR\_A\_DM\_229

DDR\_A\_DM\_230

DDR\_A\_DM\_231

DDR\_A\_DM\_232

DDR\_A\_DM\_233

DDR\_A\_DM\_234

DDR\_A\_DM\_235

DDR\_A\_DM\_236

DDR\_A\_DM\_237

DDR\_A\_DM\_238

DDR\_A\_DM\_239

DDR\_A\_DM\_240

DDR\_A\_DM\_241

DDR\_A\_DM\_242

DDR\_A\_DM\_243

DDR\_A\_DM\_244

DDR\_A\_DM\_245

DDR\_A\_DM\_246

DDR\_A\_DM\_247

DDR\_A\_DM\_248

DDR\_A\_DM\_249

DDR\_A\_DM\_250

DDR\_A\_DM\_251

DDR\_A\_DM\_252

DDR\_A\_DM\_253

DDR\_A\_DM\_254

DDR\_A\_DM\_255

DDR\_A\_DM\_256

DDR\_A\_DM\_257

DDR\_A\_DM\_258

DDR\_A\_DM\_259

DDR\_A\_DM\_260

DDR\_A\_DM\_261

DDR\_A\_DM\_262

DDR\_A\_DM\_263

DDR\_A\_DM\_264

DDR\_A\_DM\_265

DDR\_A\_DM\_266

DDR\_A\_DM\_267

DDR\_A\_DM\_268

DDR\_A\_DM\_269

DDR\_A\_DM\_270

DDR\_A\_DM\_271

DDR\_A\_DM\_272

DDR\_A\_DM\_273

DDR\_A\_DM\_274

DDR\_A\_DM\_275

DDR\_A\_DM\_276

DDR\_A\_DM\_277

DDR\_A\_DM\_278

DDR\_A\_DM\_279

DDR\_A\_DM\_280

DDR\_A\_DM\_281

DDR\_A\_DM\_282

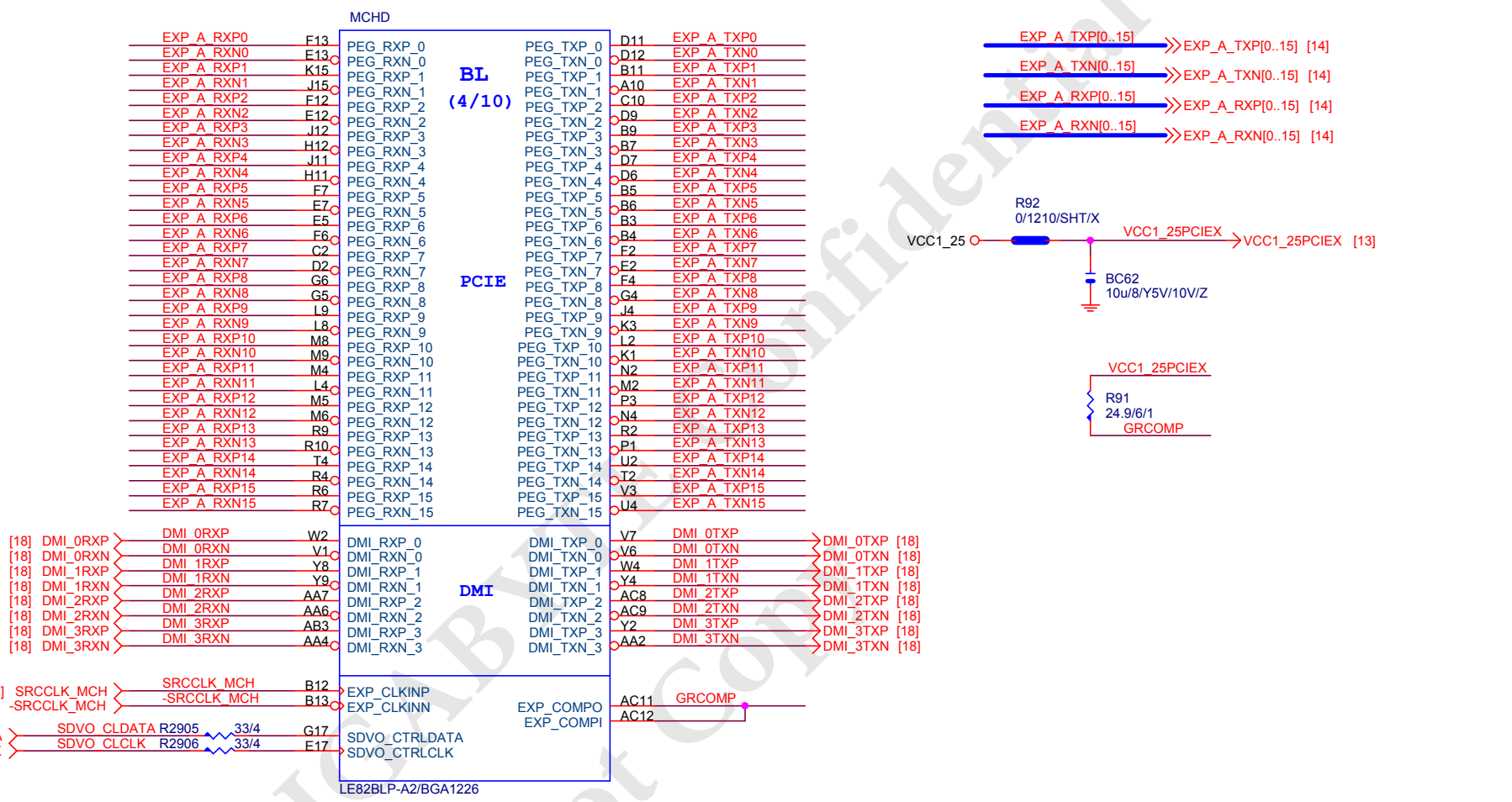
DDR\_A\_DM\_283

DDR\_A\_DM\_284

DDR\_A\_DM\_285

DDR\_A\_DM\_286

DDR\_A\_DM\_287



LE82BLP-A2/BGA1226

**Gigabyte Technology**

Title		
GMCH-PCI E & DMI		
Size Custom	Document Number	Rev
	<b>P35-S3G</b>	<b>1.0</b>
Date:	Thursday, November 15, 2007	Sheet 10 of 36



MCHG			
BC37	VSS_1	VSS_181	AE24
BC32	VSS_2	VSS_182	AE22
BC28	VSS_3	VSS_183	AE20
BC24	VSS_4	VSS_184	AE4
BC10	VSS_5	VSS_185	AE3
BC5	VSS_6	VSS_186	AE2
BB7	VSS_7	VSS_187	AD42
AY41	VSS_8	VSS_188	AD39
AY4	VSS_9	VSS_189	AD37
AW43	VSS_10	VSS_190	AD35
AW41	VSS_11	VSS_191	AD33
AV37	VSS_12	VSS_192	AD25
AV35	VSS_13	VSS_193	AD23
AV27	VSS_14	VSS_194	AD21
AV23	VSS_15	VSS_195	AD19
AV21	VSS_16	VSS_196	AC38
AV17	VSS_17	VSS_197	AC35
AV11	VSS_18	VSS_198	AC24
AV9	VSS_19	VSS_199	AC22
AV7	VSS_20	VSS_200	AC20
AV2	VSS_21	VSS_201	AC10
AU42	VSS_22	VSS_202	AC7
AU38	VSS_23	VSS_203	AC5
AU32	VSS_24	VSS_204	AB43
AU24	VSS_25	VSS_205	AB25
AU20	VSS_26	VSS_206	AB23
AU6	VSS_27	VSS_207	AB21
AL4	VSS_28	VSS_208	AB19
AT31	VSS_29	VSS_209	AB2
AT29	VSS_30	VSS_210	AB1
AT15	VSS_31	VSS_211	AA38
AT13	VSS_32	VSS_212	AA35
AT12	VSS_33	VSS_213	AA24
AR38	VSS_34	VSS_214	AA22
AR33	VSS_35	VSS_215	AA20
AR32	VSS_36	VSS_216	AA8
AR27	VSS_37	VSS_217	AA5
AR26	VSS_38	VSS_218	Y42
AR23	VSS_39	VSS_219	Y37
AR21	VSS_40	VSS_220	Y35
AR20	VSS_41	VSS_221	Y33
AR17	VSS_42	VSS_222	Y25
AR9	VSS_43	VSS_223	Y23
AR6	VSS_44	VSS_224	Y21
AP43	VSS_45	VSS_225	Y19
AP24	VSS_46	VSS_226	Y10
AP18	VSS_47	VSS_227	Y7
AP1	VSS_48	VSS_228	Y6
AN38	VSS_49	VSS_229	Y1
AN31	VSS_50	VSS_230	W24
AN29	VSS_51	VSS_231	W22
AN24	VSS_52	VSS_232	W20
AN23	VSS_53	VSS_233	W3
AN20	VSS_54	VSS_234	V43
AN13	VSS_55	VSS_235	V39
AN12	VSS_56	VSS_236	V37
AN11	VSS_57	VSS_237	V34
AN4	VSS_58	VSS_238	V32
AM42	VSS_59	VSS_239	V11
AM40	VSS_60	VSS_240	V8
AM36	VSS_61	VSS_241	V5
AM33	VSS_62	VSS_242	V2
AM29	VSS_63	VSS_243	U38
AM24	VSS_64	VSS_244	U35
AM23	VSS_65	VSS_245	U8
AM20	VSS_66	VSS_246	U7
AM11	VSS_67	VSS_247	U5
AM9	VSS_68	VSS_248	T42
AM7	VSS_69	VSS_249	T1
AM4	VSS_70	VSS_250	R36
AL36	VSS_71	VSS_251	R33
AL33	VSS_72	VSS_252	R31
AL31	VSS_73	VSS_253	R11
AK43	VSS_74	VSS_254	R8
AJ39	VSS_75	VSS_255	R5
AJ36	VSS_76	VSS_256	R3
AJ33	VSS_77	VSS_257	P43
AJ32	VSS_78	VSS_258	P30
AH42	VSS_79	VSS_259	P21
AG37	VSS_80	VSS_260	P18
AG34	VSS_81	VSS_261	P17
AF43	VSS_82	VSS_262	P2
AF37	VSS_83	VSS_263	N36
AF36	VSS_84	VSS_264	N33
AF10	VSS_85	VSS_265	N31
AF9	VSS_86	VSS_266	N27
AF8	VSS_87	VSS_267	N21
AF7	VSS_88	VSS_268	N13
AF6	VSS_89	VSS_269	N10
AF5	VSS_90	VSS_270	N7

BL  
(7/10)  
GND

LE82BLP-A2/BGA1226

MCHH			
N5	VSS_91	VSS_271	B10
M37	VSS_92	VSS_272	A39
M35	VSS_93	VSS_273	A34
M33	VSS_94	VSS_274	A26
M27	VSS_95	VSS_275	A18
M21	VSS_96	VSS_276	A12
M20	VSS_97	VSS_277	A7
M17	VSS_98	VSS_278	BC41
M15	VSS_99	VSS_279	BC3
M10	VSS_100	VSS_280	BA1
M7	VSS_101	VSS_281	AY40
M1	VSS_102	VSS_282	AF23
L40	VSS_103	VSS_283	AF21
L33	VSS_104	VSS_284	AF19
L32	VSS_105	VSS_285	AE18
L31	VSS_106	VSS_286	AC18
L29	VSS_107	VSS_287	AA18
L21	VSS_108	VSS_288	V29
L20	VSS_109	VSS_289	U29
L11	VSS_110	VSS_290	U27
L7	VSS_111	VSS_291	R21
L5	VSS_112	VSS_292	E1
L3	VSS_113	VSS_293	C43
K43	VSS_114	VSS_294	C1
K26	VSS_115	VSS_295	AA1
K21	VSS_116	VSS_296	A5
K18	VSS_117	VSS_297	A3
K13	VSS_118	VSS_298	V30
K12	VSS_119		
K2	VSS_120		
J38	VSS_121		
J35	VSS_122		
J32	VSS_123		
J27	VSS_124		
J21	VSS_125		
J9	VSS_126		
J7	VSS_127		
J5	VSS_128		
H31	VSS_129		
H29	VSS_130		
H21	VSS_131		
H20	VSS_132		
H17	VSS_133		
H15	VSS_134		
H13	VSS_135		
G42	VSS_136		
G37	VSS_137		
G38	VSS_138		
G32	VSS_139		
G21	VSS_140		
G13	VSS_141		
G12	VSS_142		
G11	VSS_143		
G9	VSS_144		
G7	VSS_145		
G1	VSS_146		
F37	VSS_147		
F35	VSS_148		
F27	VSS_149		
F21	VSS_150		
F18	VSS_151		
F15	VSS_152		
F3	VSS_153		
E43	VSS_154		
E32	VSS_155		
E24	VSS_156		
E21	VSS_157		
E11	VSS_158		
E9	VSS_159		
E3	VSS_160		
D40	VSS_161		
D31	VSS_162		
D21	VSS_163		
D17	VSS_164		
D15	VSS_165		
D3	VSS_166		
C26	VSS_167		
C11	VSS_168		
C6	VSS_169		
C5	VSS_170		
C4	VSS_171		
B37	VSS_172		
B32	VSS_173		
B31	VSS_174		
B26	VSS_175		
B23	VSS_176		
B22	VSS_177		
B19	VSS_178		
B14	VSS_179		
D16	VSS_180?????		
M11			

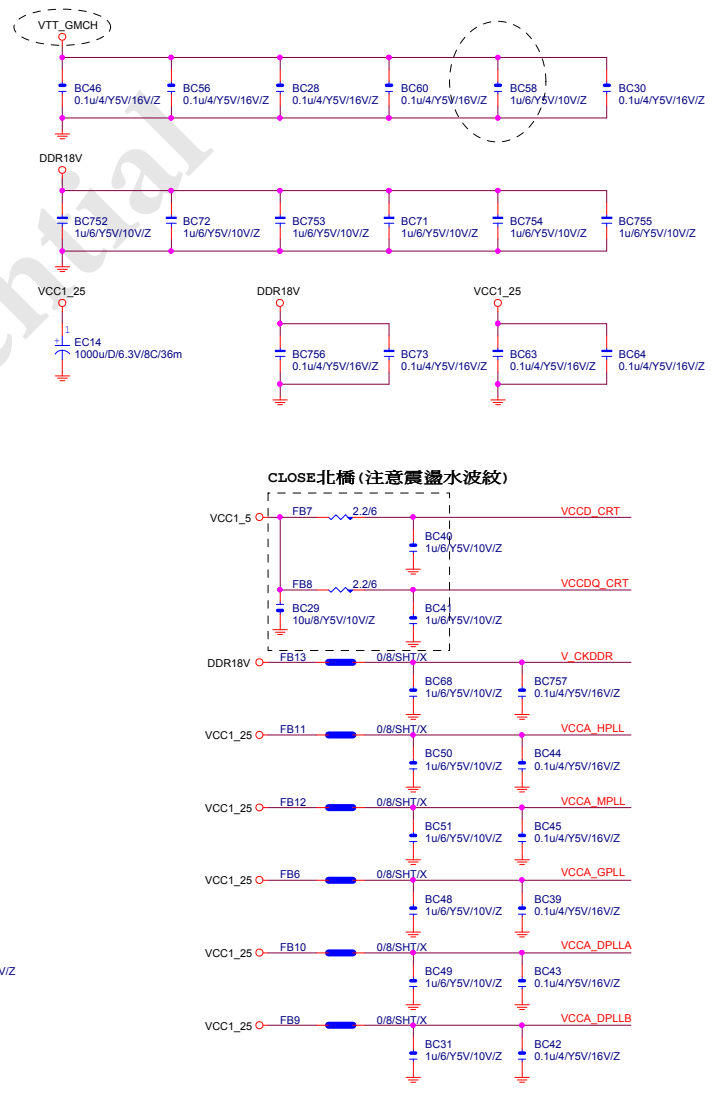
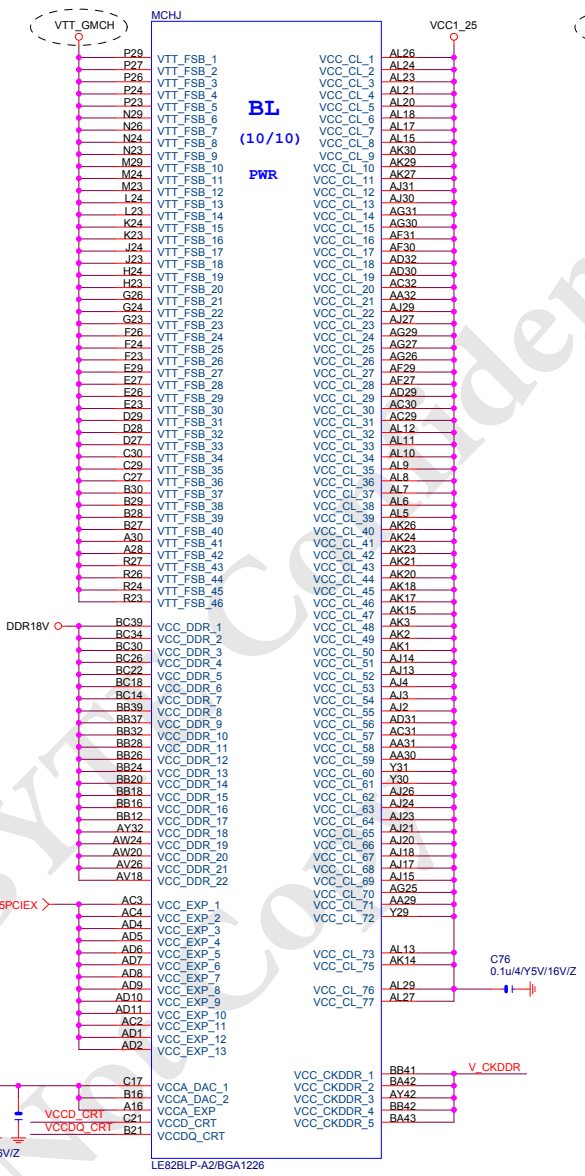
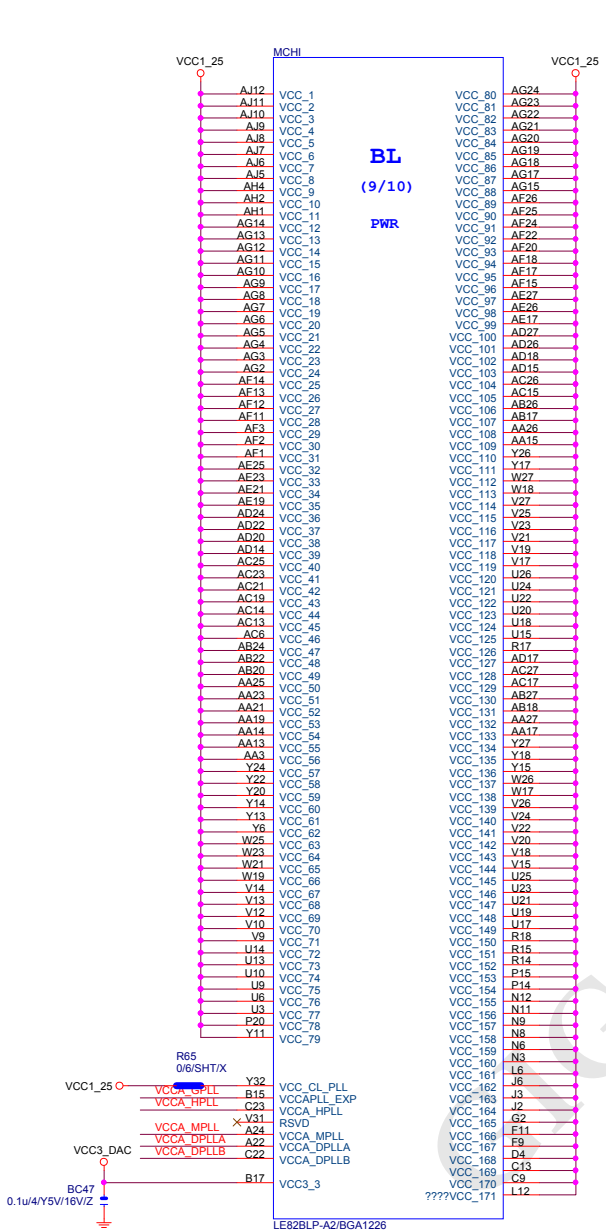
BL  
(8/10)  
GND

LE82BLP-A2/BGA1226

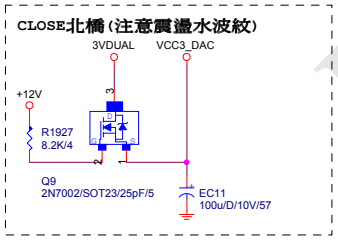
B10	VSS_271
A39	VSS_272
A34	VSS_273
A26	VSS_274
A18	VSS_275
A12	VSS_276
A7	VSS_277
BC41	VSS_278
BC3	VSS_279
BA1	VSS_280
AY40	VSS_281
AF23	VSS_282
AF21	VSS_283
AF19	VSS_284
AE18	VSS_285
AC18	VSS_286
AA18	VSS_287
V29	VSS_288
U29	VSS_289
U27	VSS_290
R21	VSS_291
E1	VSS_292
C43	VSS_293
C1	VSS_294
AA1	VSS_295
A5	VSS_296
A3	VSS_297
V30	VSS_298

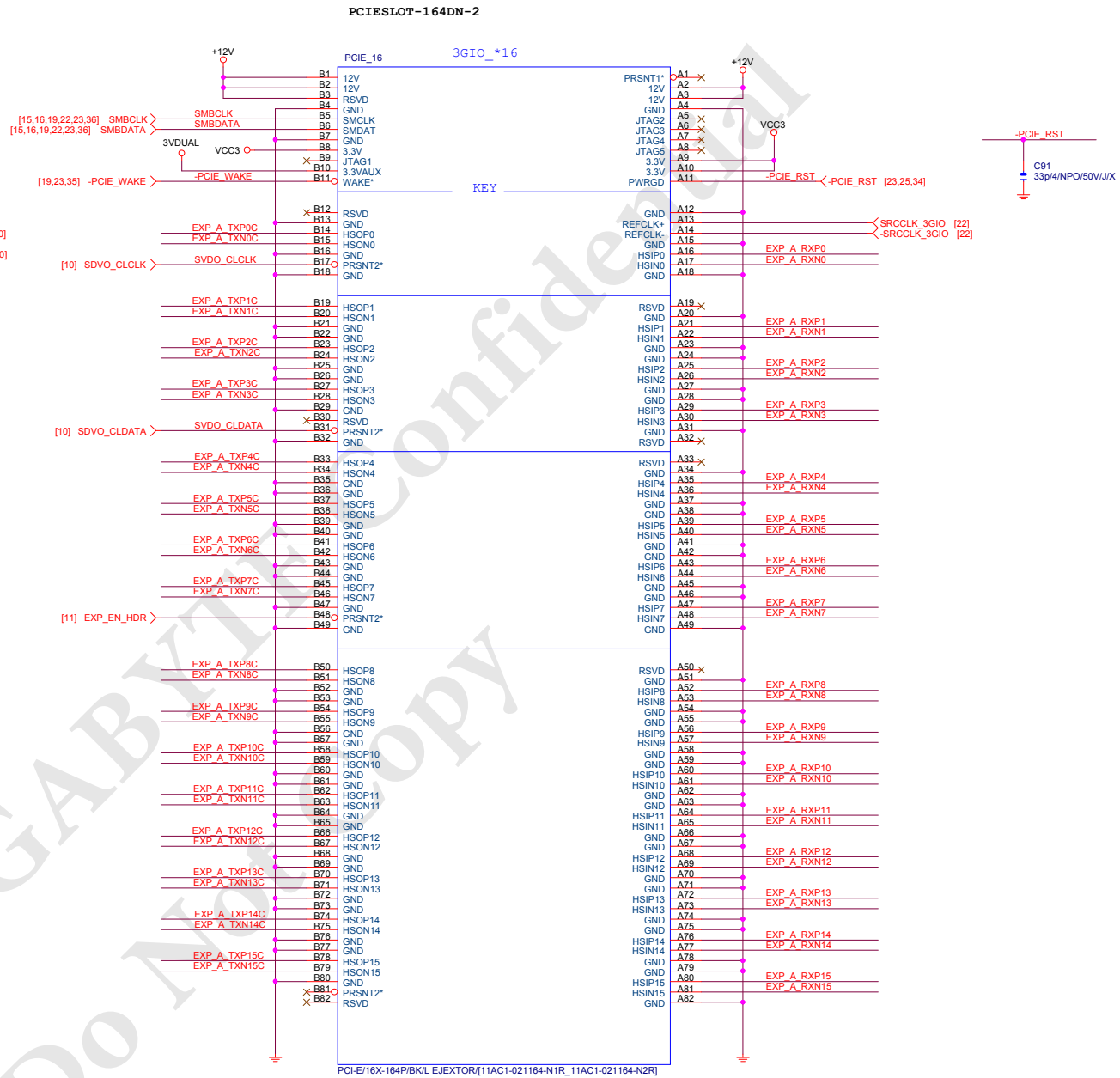
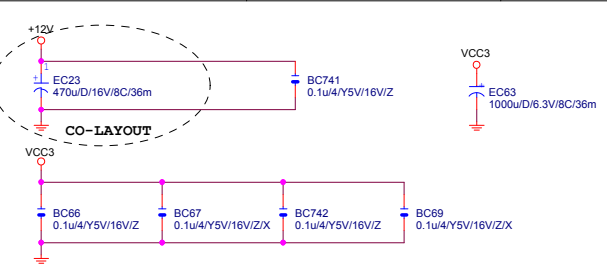
Gigabyte Technology

Title		
GMCH-GND		
Size	Document Number	Rev
Custom	P35-S3G	1.0
Date:	Thursday, November 15, 2007	Sheet 12 of 36



CLOSE北橋 (注意震盪水波紋)





EXP\_A\_TXP[0..15] >>> EXP\_A\_TXP[0..15] [10]      EXP\_A\_RXP[0..15] >>> EXP\_A\_RXP[0..15] [10]  
 EXP\_A\_TXN[0..15] >>> EXP\_A\_TXN[0..15] [10]      EXP\_A\_RXN[0..15] >>> EXP\_A\_RXN[0..15] [10]

EXP_A_TXP0	C1897	0.1uF/4Y5V/16V/Z	EXP_A_TXP0C
EXP_A_TXN0	C1898	0.1uF/4Y5V/16V/Z	EXP_A_TXN0C
EXP_A_TXP1	C1899	0.1uF/4Y5V/16V/Z	EXP_A_TXP1C
EXP_A_TXN1	C1900	0.1uF/4Y5V/16V/Z	EXP_A_TXN1C
EXP_A_TXP2	C1901	0.1uF/4Y5V/16V/Z	EXP_A_TXP2C
EXP_A_TXN2	C1902	0.1uF/4Y5V/16V/Z	EXP_A_TXN2C
EXP_A_TXP3	C1903	0.1uF/4Y5V/16V/Z	EXP_A_TXP3C
EXP_A_TXN3	C1904	0.1uF/4Y5V/16V/Z	EXP_A_TXN3C
EXP_A_TXP4	C1905	0.1uF/4Y5V/16V/Z	EXP_A_TXP4C
EXP_A_TXN4	C1906	0.1uF/4Y5V/16V/Z	EXP_A_TXN4C
EXP_A_TXP5	C1907	0.1uF/4Y5V/16V/Z	EXP_A_TXP5C
EXP_A_TXN5	C1908	0.1uF/4Y5V/16V/Z	EXP_A_TXN5C
EXP_A_TXP6	C1909	0.1uF/4Y5V/16V/Z	EXP_A_TXP6C
EXP_A_TXN6	C1910	0.1uF/4Y5V/16V/Z	EXP_A_TXN6C
EXP_A_TXP7	C1911	0.1uF/4Y5V/16V/Z	EXP_A_TXP7C
EXP_A_TXN7	C1912	0.1uF/4Y5V/16V/Z	EXP_A_TXN7C
EXP_A_TXP8	C1913	0.1uF/4Y5V/16V/Z	EXP_A_TXP8C
EXP_A_TXN8	C1914	0.1uF/4Y5V/16V/Z	EXP_A_TXN8C
EXP_A_TXP9	C1915	0.1uF/4Y5V/16V/Z	EXP_A_TXP9C
EXP_A_TXN9	C1916	0.1uF/4Y5V/16V/Z	EXP_A_TXN9C
EXP_A_TXP10	C1917	0.1uF/4Y5V/16V/Z	EXP_A_TXP10C
EXP_A_TXN10	C1918	0.1uF/4Y5V/16V/Z	EXP_A_TXN10C
EXP_A_TXP11	C1919	0.1uF/4Y5V/16V/Z	EXP_A_TXP11C
EXP_A_TXN11	C1920	0.1uF/4Y5V/16V/Z	EXP_A_TXN11C
EXP_A_TXP12	C1921	0.1uF/4Y5V/16V/Z	EXP_A_TXP12C
EXP_A_TXN12	C1922	0.1uF/4Y5V/16V/Z	EXP_A_TXN12C
EXP_A_TXP13	C1923	0.1uF/4Y5V/16V/Z	EXP_A_TXP13C
EXP_A_TXN13	C1924	0.1uF/4Y5V/16V/Z	EXP_A_TXN13C
EXP_A_TXP14	C1925	0.1uF/4Y5V/16V/Z	EXP_A_TXP14C
EXP_A_TXN14	C1926	0.1uF/4Y5V/16V/Z	EXP_A_TXN14C
EXP_A_TXP15	C1927	0.1uF/4Y5V/16V/Z	EXP_A_TXP15C
EXP_A_TXN15	C1928	0.1uF/4Y5V/16V/Z	EXP_A_TXN15C

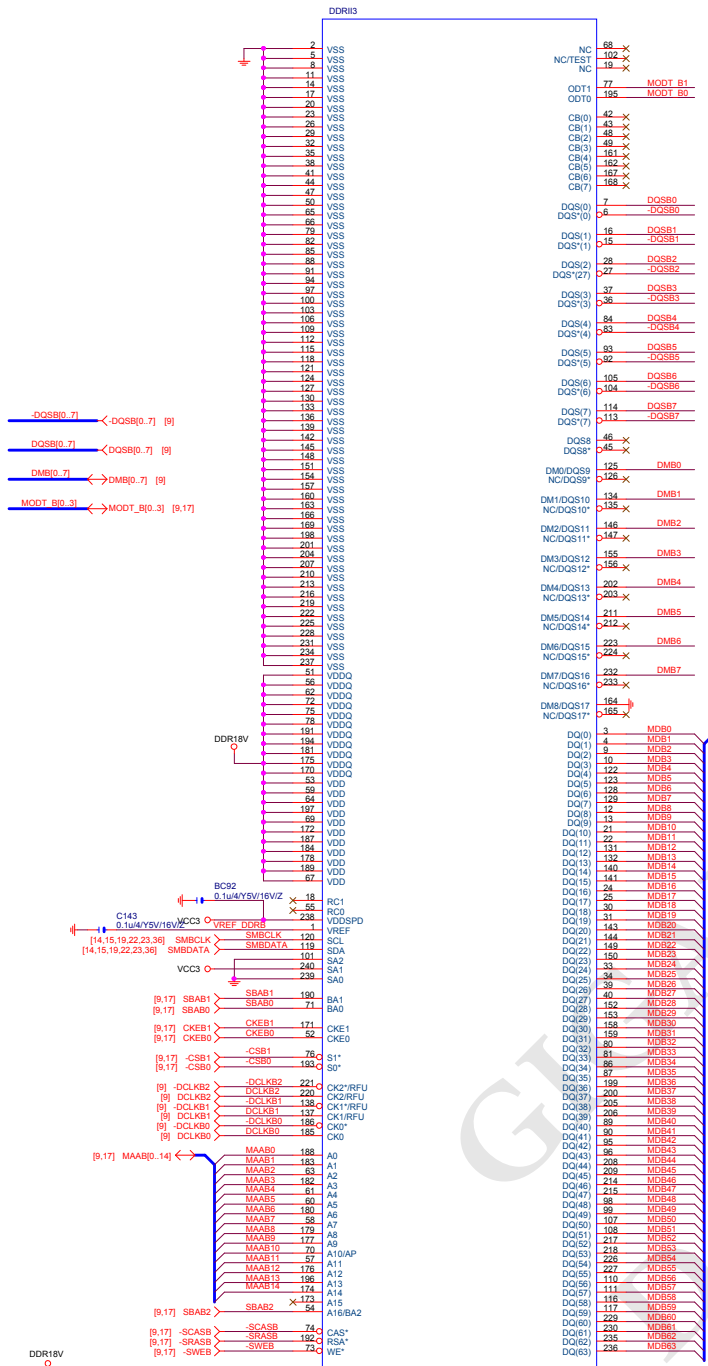
Do Not Copy

PCI-E/16X-164P/BK/L EJECTOR(11AC1-021164-N1R\_11AC1-021164-N2R)

LEFT BLUE

<b>Gigabyte Technology</b>		
Title <b>PCI EXPRESS * 16</b>		
Size	Document Number <b>P35-S3G</b>	Rev <b>1.0</b>
Custom		
Date:	Thursday, November 15, 2007	Sheet 14 of 36

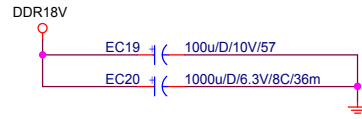
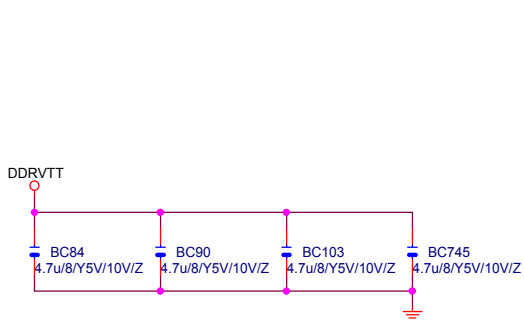




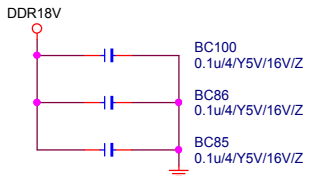


# DDR TERMINATION CHANNEL A

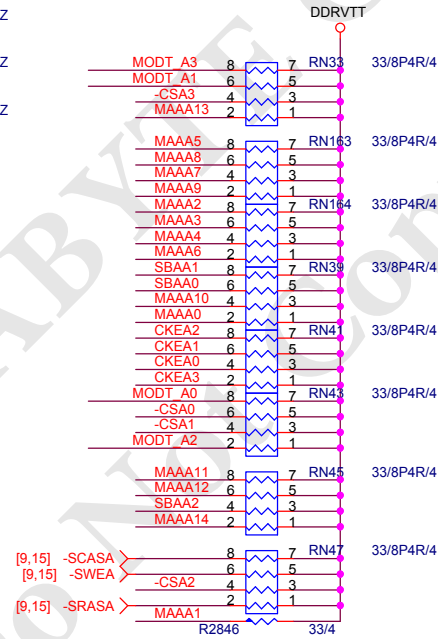
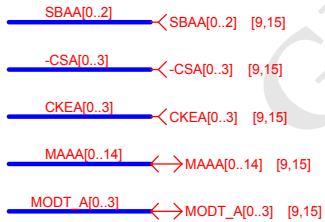
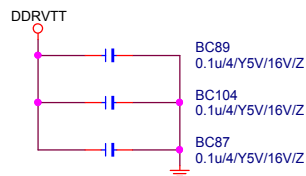
## DDRVTT Decouple



## DDR18V Decouple

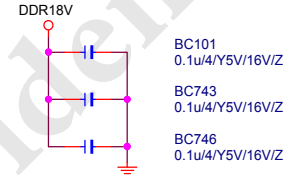


## DDRVTT Decouple

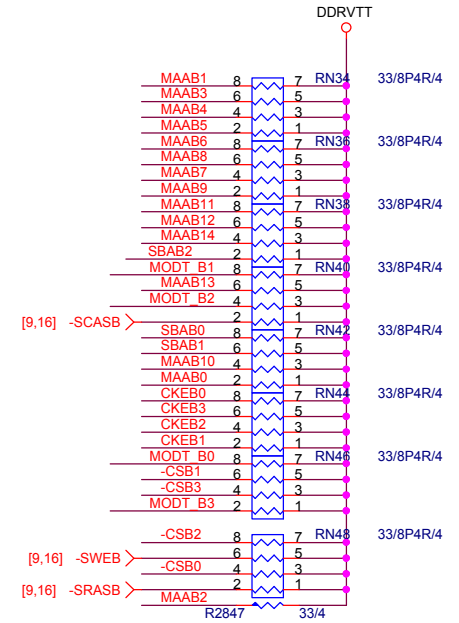
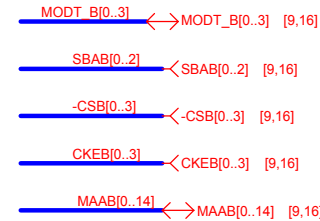
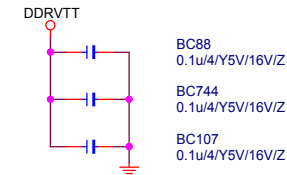


# DDR TERMINATION CHANNEL B

## DDR18V Decouple

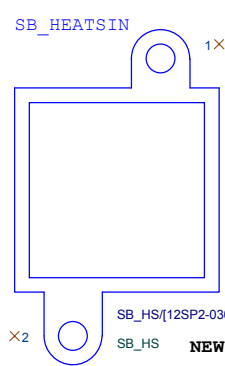
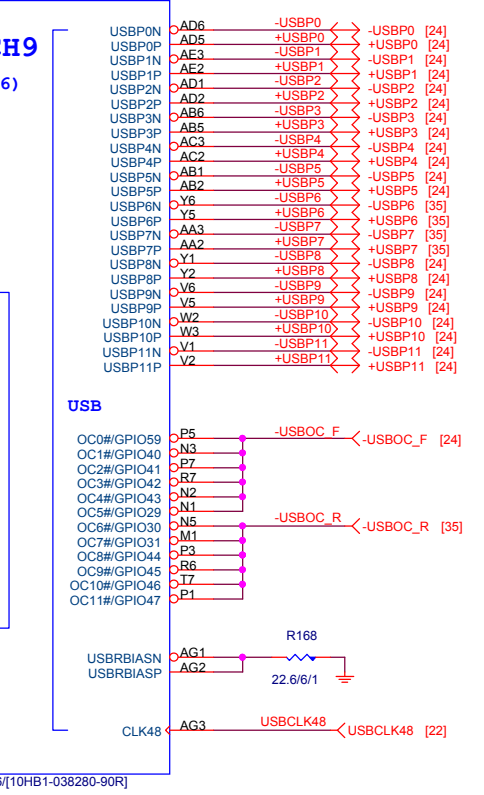
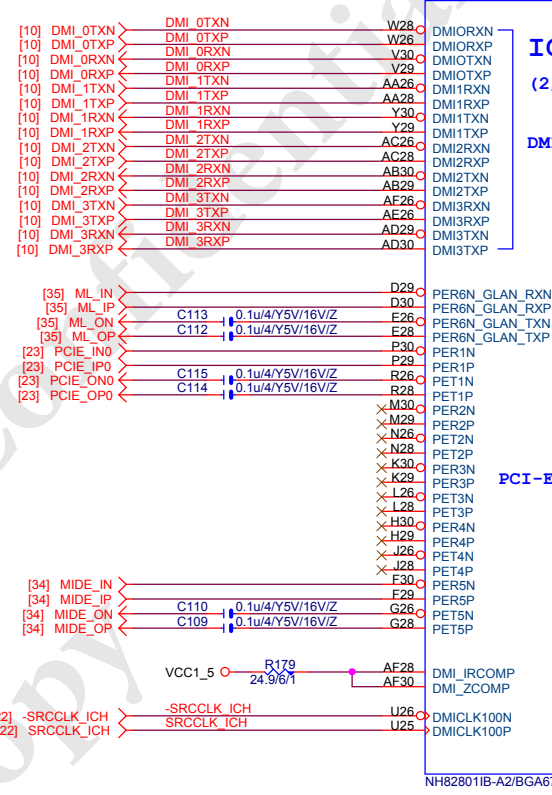
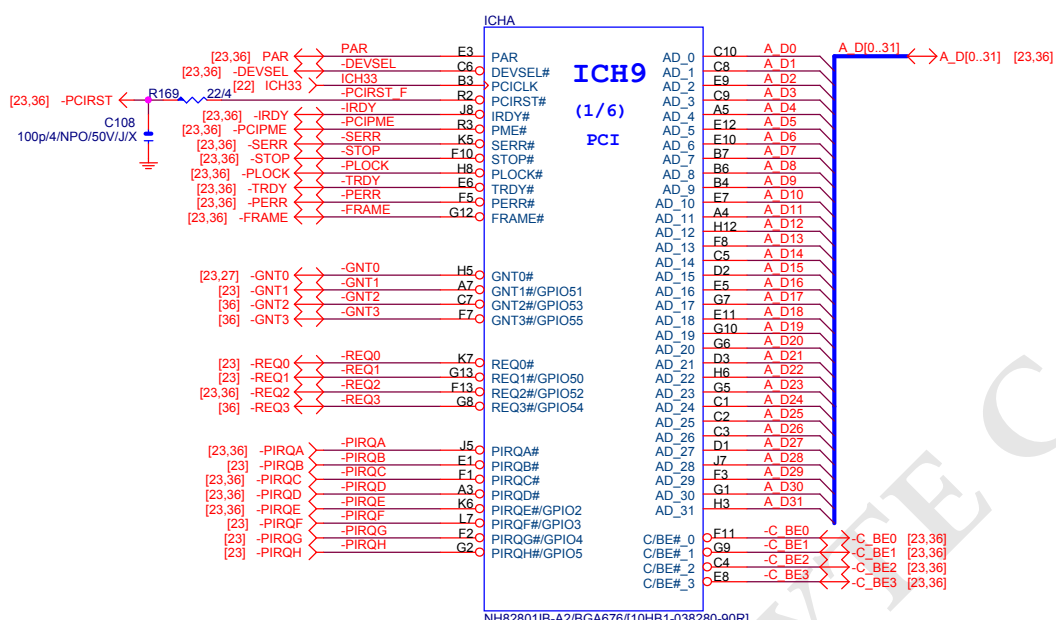


## DDRVTT Decouple

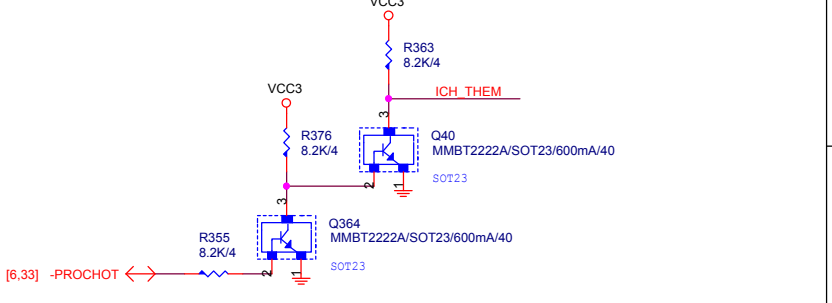
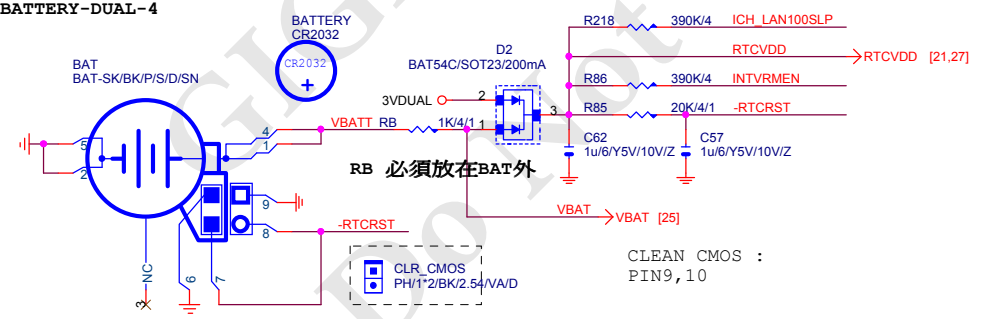
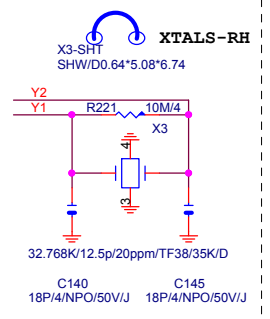
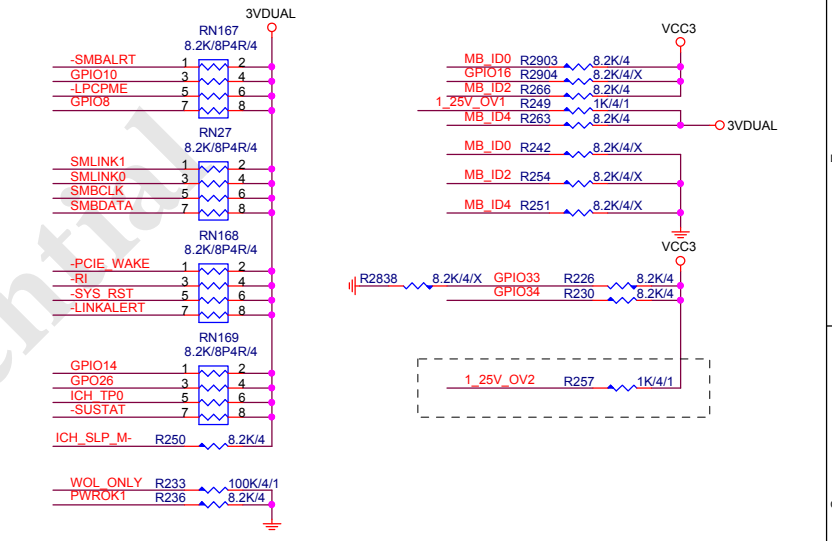
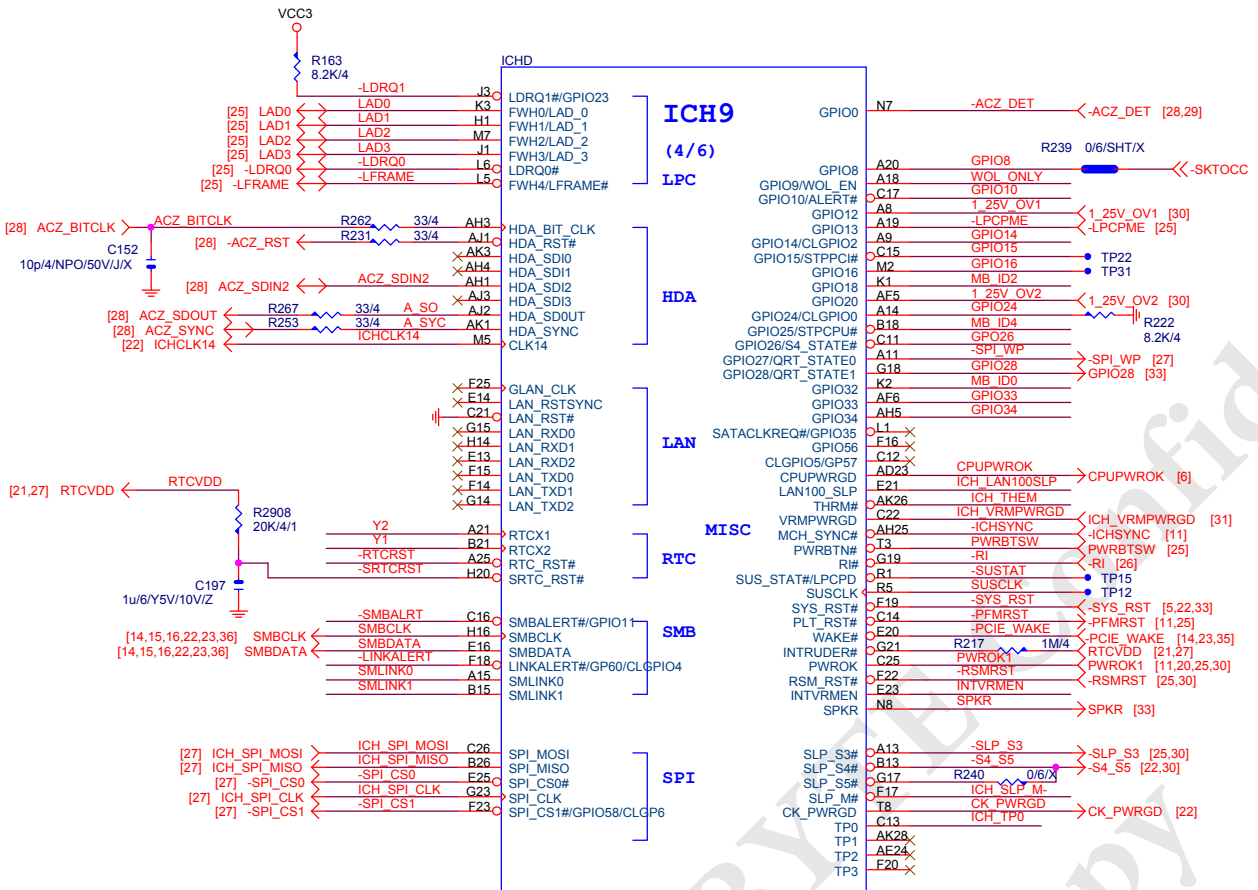


Gigabyte Technology

Title		DDRII TERMINATOR	
Size Custom	Document Number	P35-S3G	
Date:	Thursday, November 15, 2007	Sheet	17 of 36
			Rev 1.0



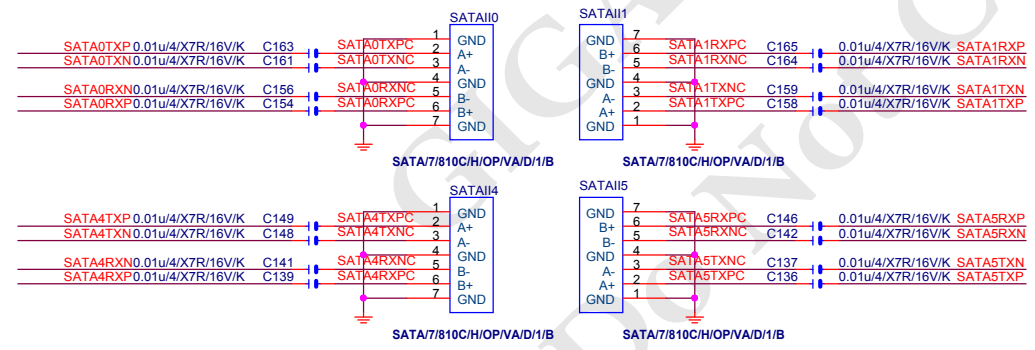
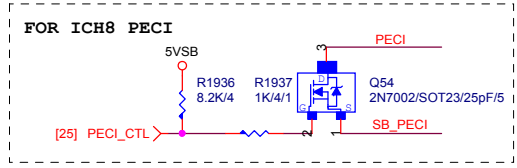
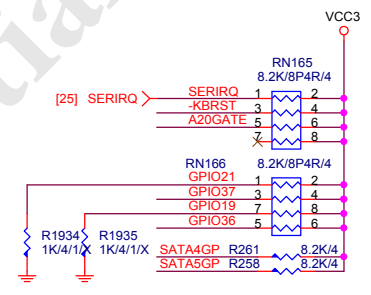
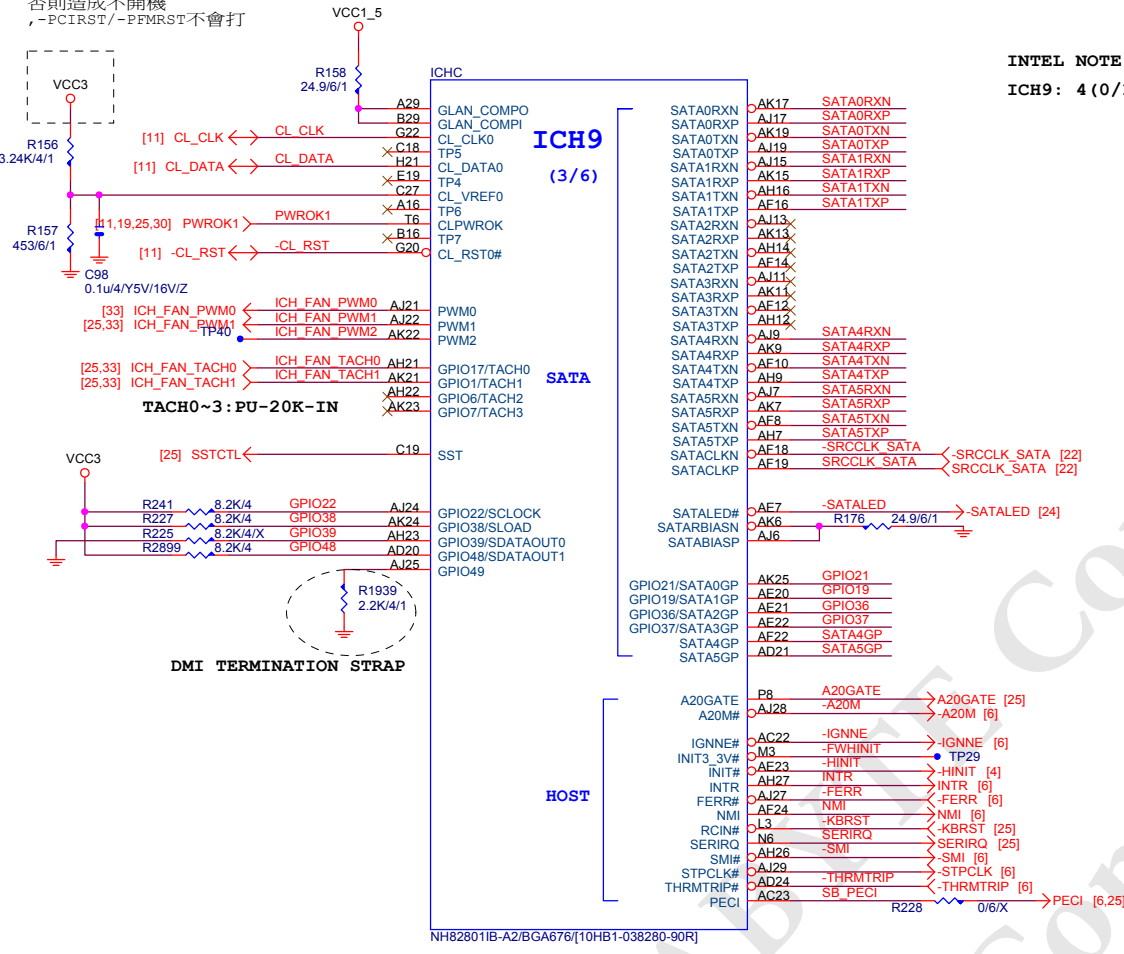
<b>Gigabyte Technology</b>			
Title <b>ICH9-PCI, DMI, LAN, USB</b>			
Size B	Document Number	<b>P35-S3G</b>	Rev <b>1.0</b>
Date:	Thursday, November 15, 2007	Sheet	18 of 36



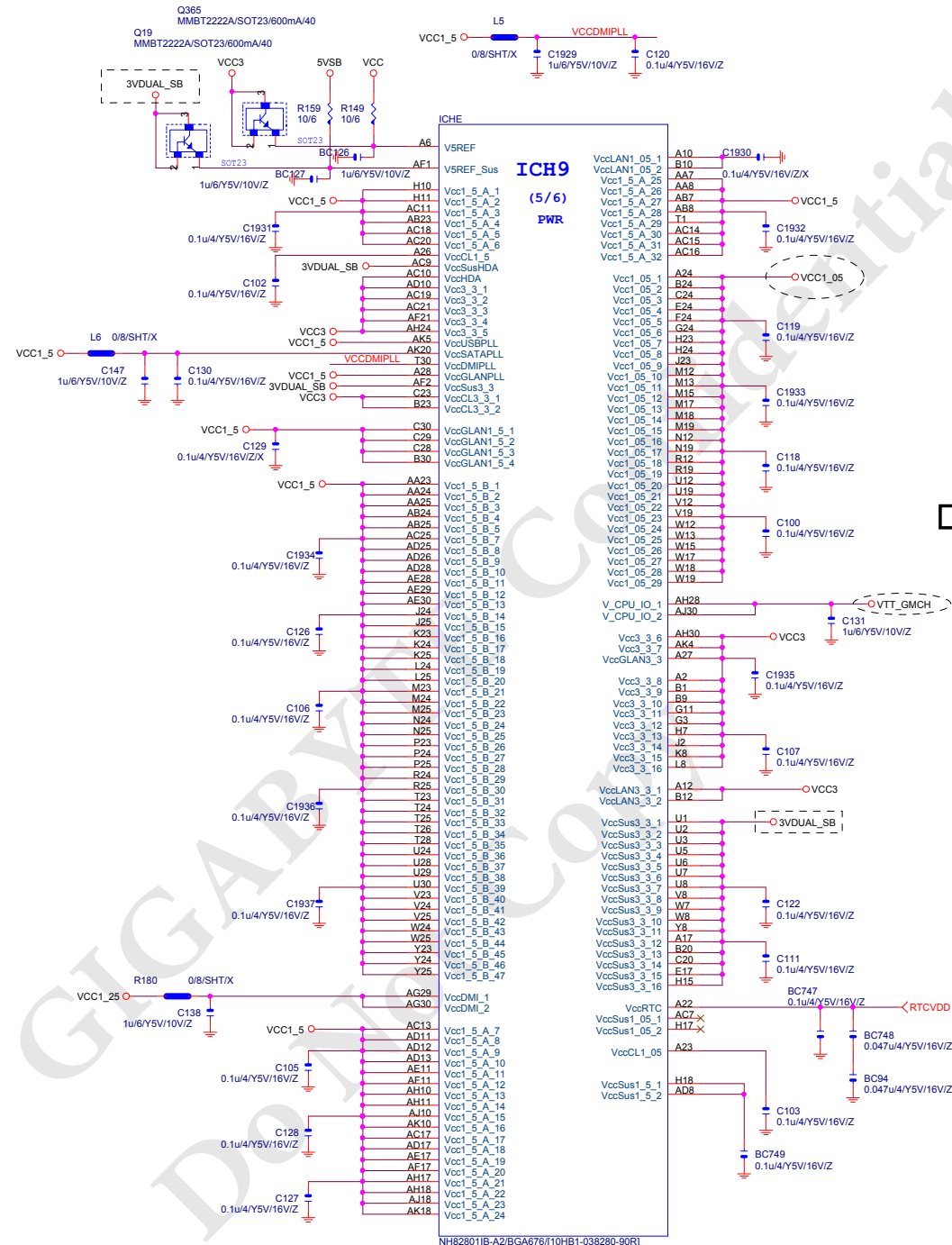
<b>Gigabyte Technology</b>			
Title ICH9 GPIO, CTRL			
Size B	Document Number	<b>P35-S3G</b>	Rev 1.0
Date:	Thursday, November 15, 2007	Sheet 19	of 36

修改成VCC3, 否則造成不開機, -PCIRST/-PFMRST不會打

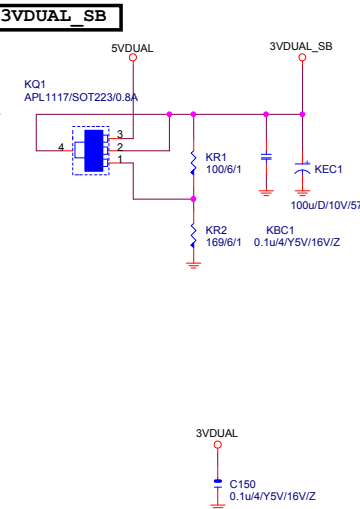
INTEL NOTE:SATAII PORT  
ICH9: 4 (0/1/4/5 PORT, 2/3:N/A)

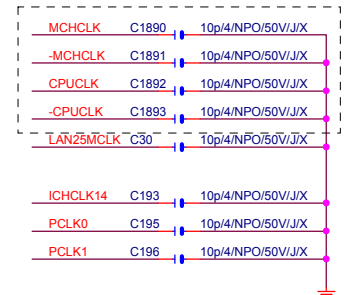
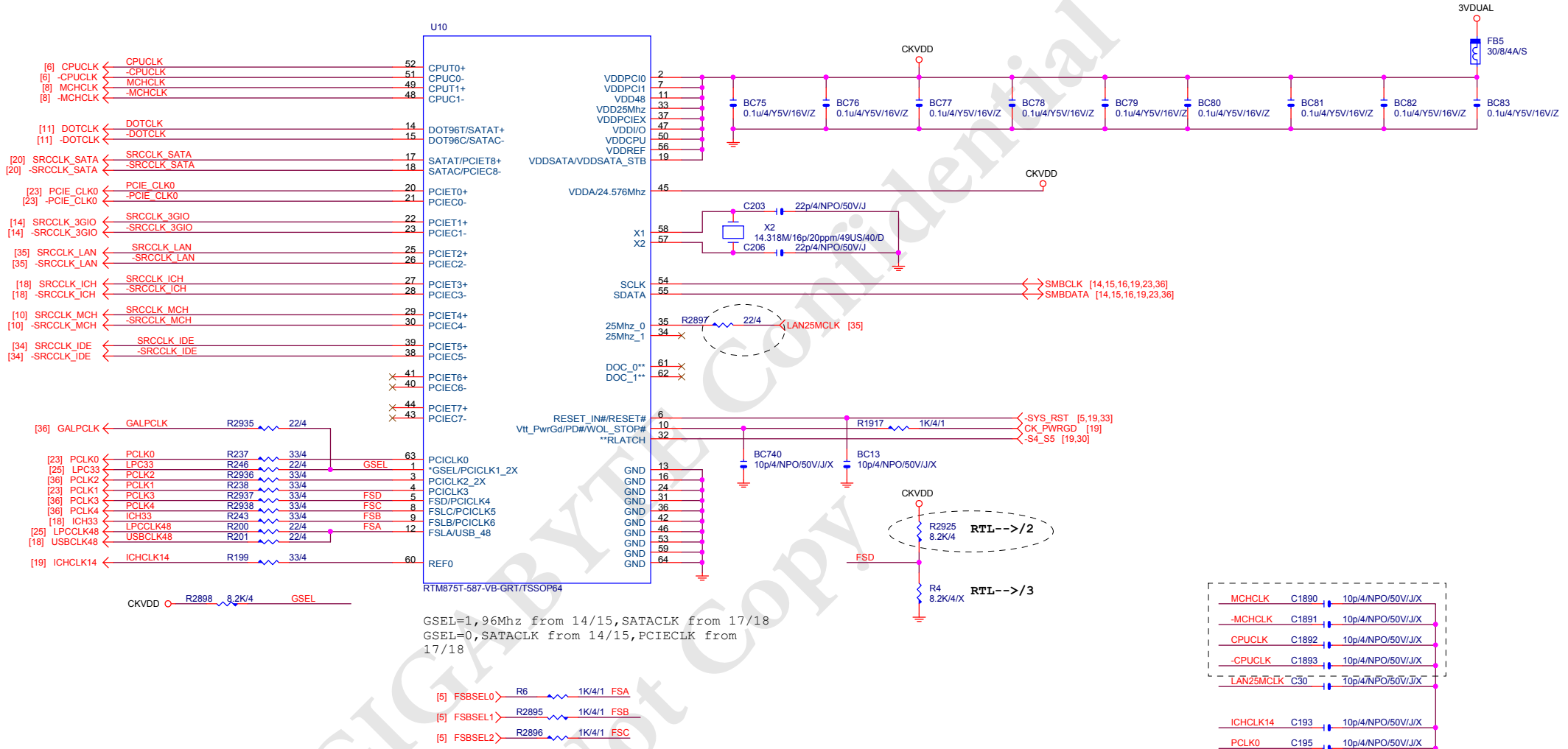


G30	VSS_100	VSS_099	H13
G29	VSS_101	VSS_098	H19
G25	VSS_102	VSS_097	H2
G16	VSS_103	VSS_096	H22
F9	VSS_104	VSS_095	H25
F6	VSS_105	VSS_094	H26
F28	VSS_106	VSS_093	H28
F26	VSS_107	VSS_092	H9
F21	VSS_108	VSS_091	H28
F12	VSS_109	VSS_090	J30
E30	VSS_110	VSS_089	J6
E29	VSS_111	VSS_088	K26
E2	VSS_112	VSS_087	L2
E18	VSS_113	VSS_086	L23
E15	VSS_114	VSS_085	L29
D28	VSS_115	VSS_084	L30
B8	VSS_116	VSS_083	M14
B5	VSS_117	VSS_082	M16
B28	VSS_118	VSS_081	M26
B25	VSS_119	VSS_080	M28
B22	VSS_120	VSS_079	M6
B2	VSS_121	VSS_078	M8
B19	VSS_122	VSS_077	M8
B17	VSS_123	VSS_076	N13
B14	VSS_124	VSS_075	N14
B11	VSS_125	VSS_074	N15
AK8	VSS_126	VSS_073	N16
AK30	VSS_127	VSS_072	N17
AK29	VSS_128	VSS_071	N18
AK2	VSS_129	VSS_070	N23
AK16	VSS_130	VSS_069	N29
AK14	VSS_131	VSS_068	N30
AK12	VSS_132	VSS_067	P12
AJ8	VSS_133	VSS_066	P14
AJ6	VSS_134	VSS_065	P15
AJ23	VSS_135	VSS_064	P15
AJ20	VSS_136	VSS_063	P16
AJ16	VSS_137	VSS_062	P17
AJ14	VSS_138	VSS_061	P18
AH12	VSS_139	VSS_060	P19
AH8	VSS_140	VSS_059	P2
AH6	VSS_141	VSS_058	P26
AH2	VSS_142	VSS_057	P28
AH19	VSS_143	VSS_056	P6
AH15	VSS_144	VSS_055	R13
AH13	VSS_145	VSS_054	R14
AG28	VSS_146	VSS_053	R15
AF9	VSS_147	VSS_052	R16
AF7	VSS_148	VSS_051	R17
AF29	VSS_149	VSS_050	R18
AF26	VSS_150	VSS_049	R23
AF25	VSS_151	VSS_048	R29
AF23	VSS_152	VSS_047	R30
AF20	VSS_153	VSS_046	R8
AF15	VSS_154	VSS_045	T12
AF13	VSS_155	VSS_044	T13
AE9	VSS_156	VSS_043	T14
AE8	VSS_157	VSS_042	T15
AE6	VSS_158	VSS_041	T16
AE5	VSS_159	VSS_040	T17
AE25	VSS_160	VSS_039	T18
AE18	VSS_161	VSS_038	T19
AE16	VSS_162	VSS_037	T2
AE15	VSS_163	VSS_036	T5
AE14	VSS_164	VSS_035	T7
AE13	VSS_165	VSS_034	U13
AE12	VSS_166	VSS_033	U14
AE10	VSS_167	VSS_032	U16
AD9	VSS_168	VSS_031	U17
AD7	VSS_169	VSS_030	U17
AD3	VSS_170	VSS_029	U18
AD22	VSS_171	VSS_028	U23
AD19	VSS_172	VSS_027	W13
AD18	VSS_173	VSS_026	W14
AD16	VSS_174	VSS_025	W15
AD15	VSS_175	VSS_024	W16
AD14	VSS_176	VSS_023	W17
AC8	VSS_177	VSS_022	W18
AC6	VSS_178	VSS_021	W26
AC30	VSS_179	VSS_020	W28
AC29	VSS_180	VSS_019	Y3
AC24	VSS_181	VSS_018	Y7
AC12	VSS_182	VSS_017	Y7
AC11	VSS_183	VSS_016	Y14
AB3	VSS_184	VSS_015	W14
AB28	VSS_185	VSS_014	W16
AB26	VSS_186	VSS_013	W29
AA8	VSS_187	VSS_012	W30
AA5	VSS_188	VSS_011	W5
AK27	VSS_189	VSS_010	W6
AH29	VSS_190	VSS_009	Y26
AH4	VSS_191	VSS_008	Y28
AF3	VSS_192	VSS_007	Y3
B27	VSS_193	VSS_006	Y7
	VSS_194	VSS_005	AA30
	VSS_195	VSS_004	AA29
	VSS_196	VSS_003	AA1
	VSS_197	VSS_002	A30
	VSS_198	VSS_001	A1



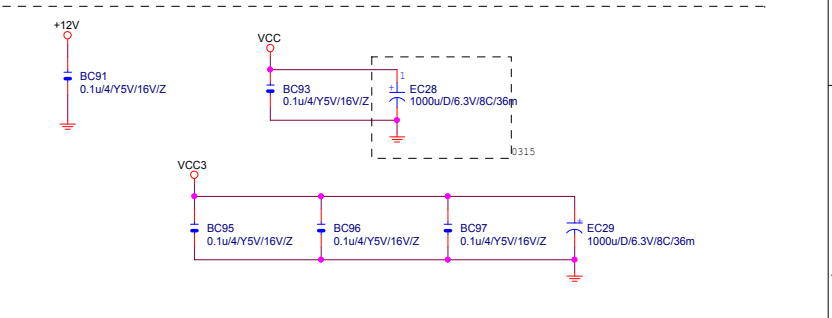
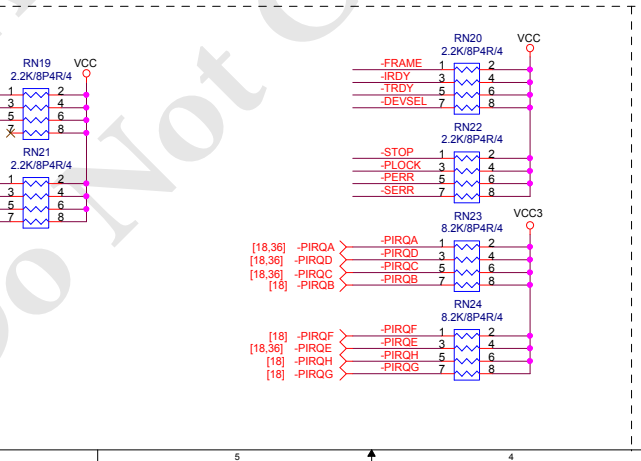
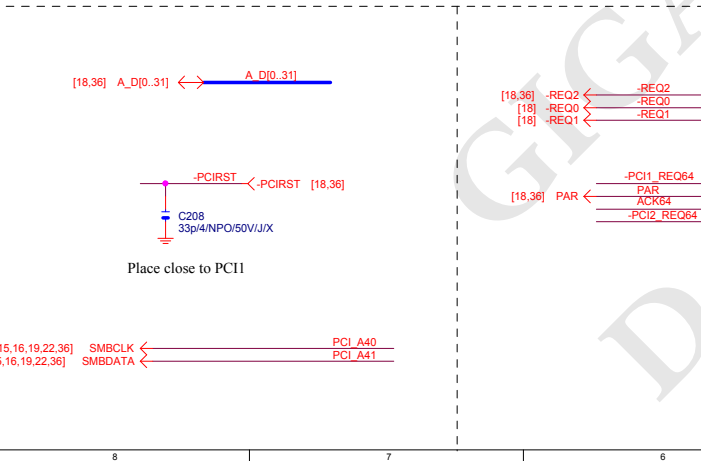
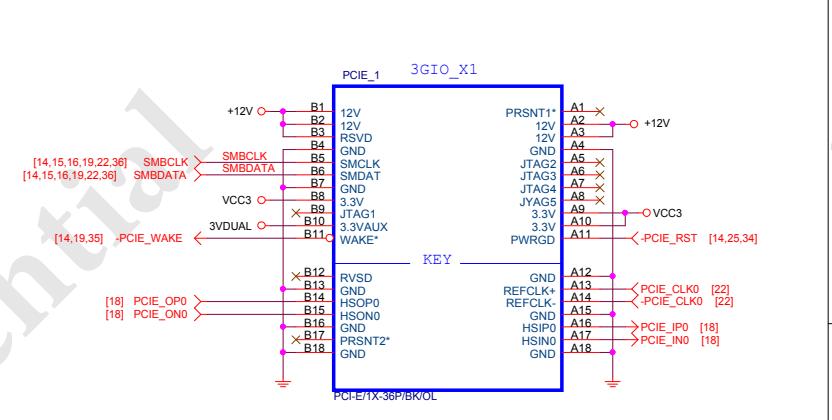
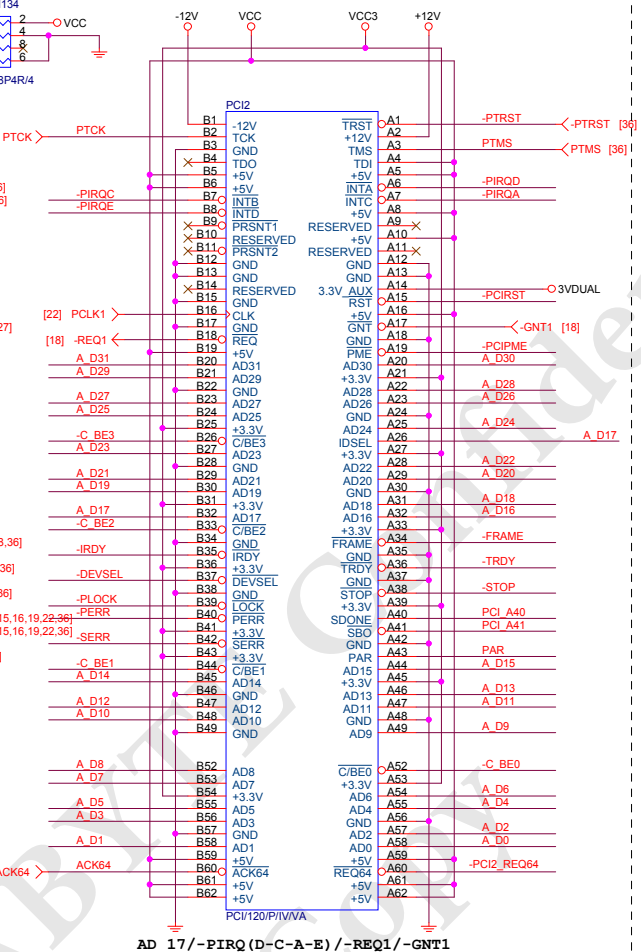
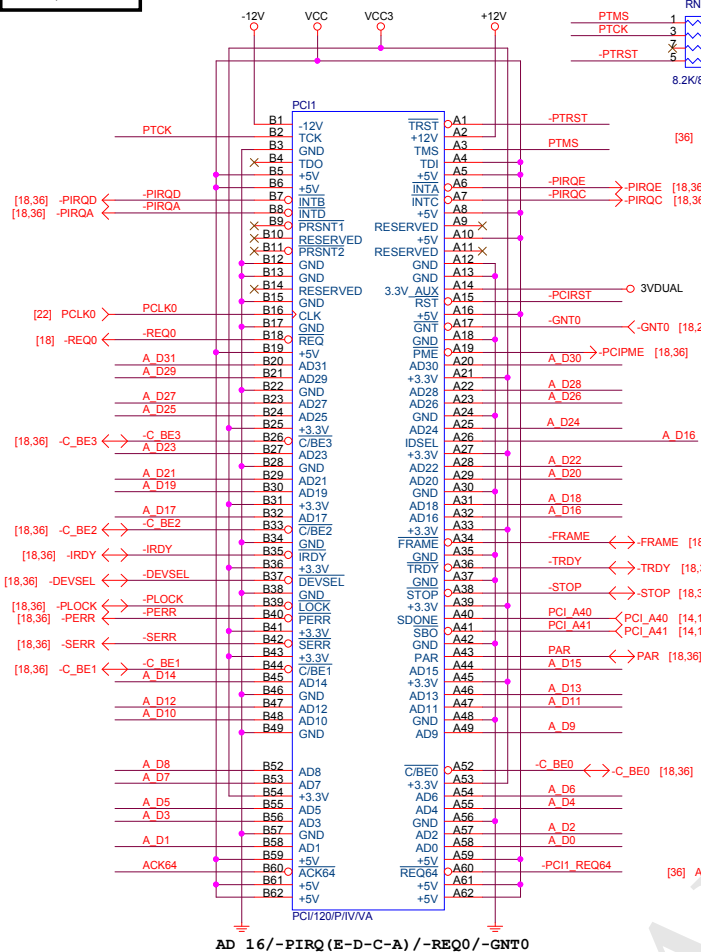
SIGNAL NAME	NO LAN
VccCL_1_05	de-CAP
VccCL_3	Vcc3_3
VccCL1_5	de-CAP
VccGLAN1_5	Vcc1_5
VccGLAN3_3	Vcc3_3
VccGLANPLL	Vcc1_5
VccLAN1_05	N/A
VccLAN3_3	Vcc3_3





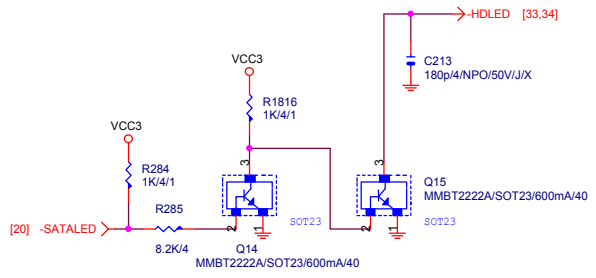
PCI1, 2 SLOT

PCIEX\*1

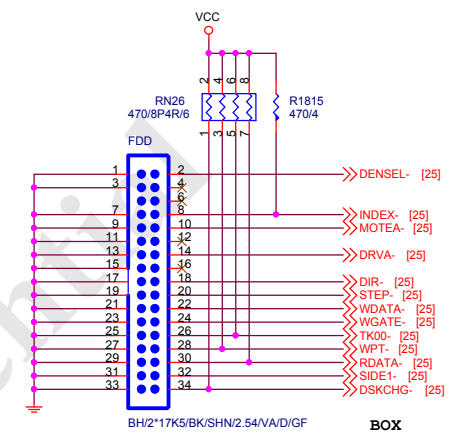


Gigabyte Technology		
PCI SLOT 1, 2/PCIEX1		
Title	Document Number	Rev
	<b>P35-S3G</b>	<b>1.0</b>
Size	Custom	
Date:	Thursday, November 15, 2007	Sheet 23 of 36

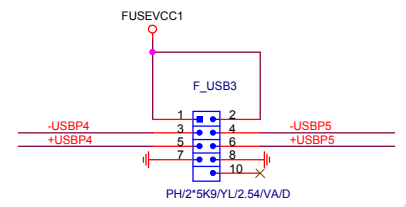
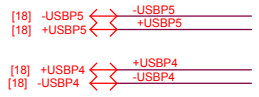
**IDE/SATA\_LED**



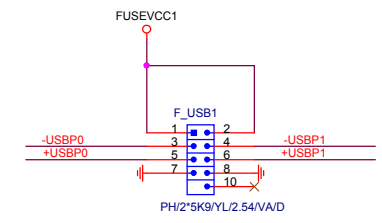
**FLOPPY**



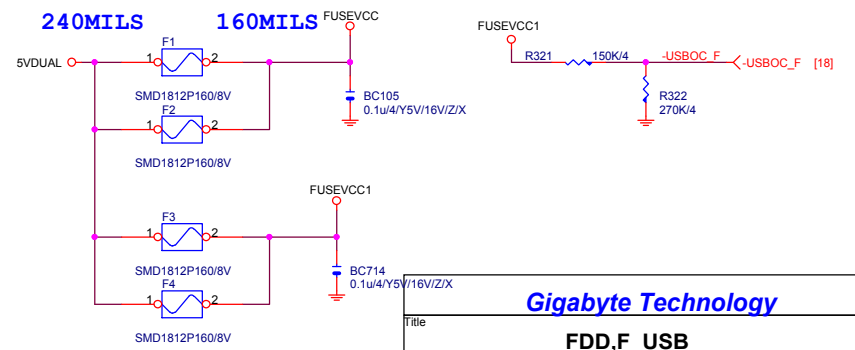
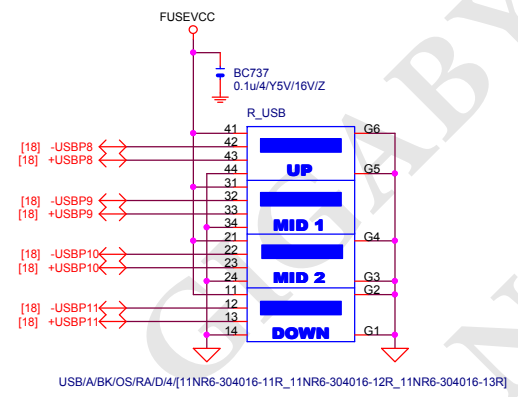
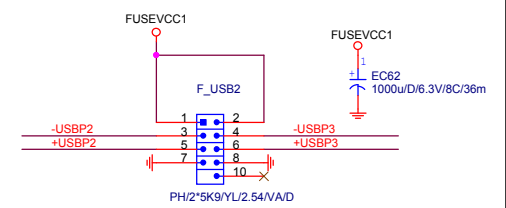
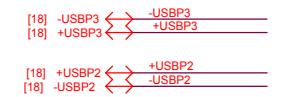
**FRONT USB3**



**FRONT USB1**



**FRONT USB2**



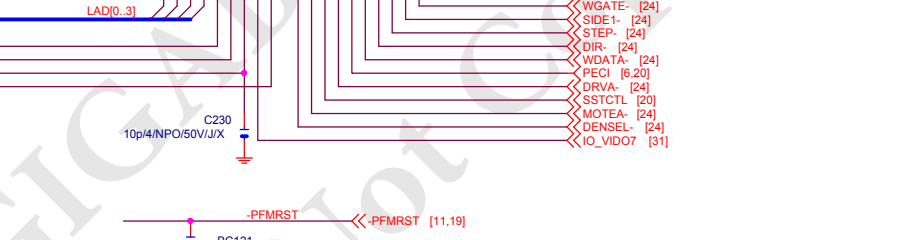
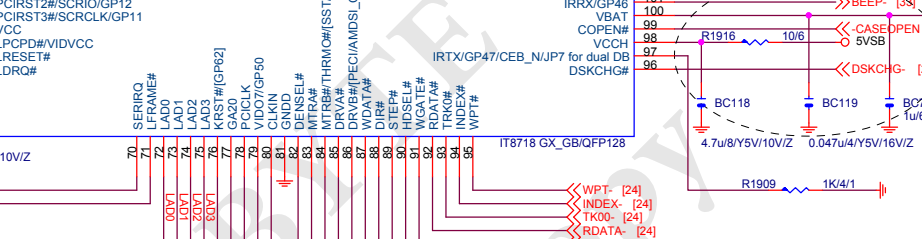
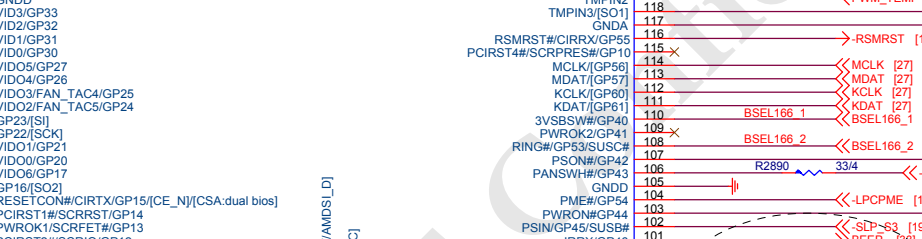
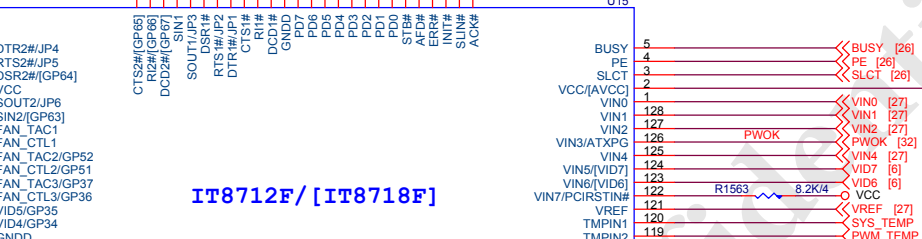
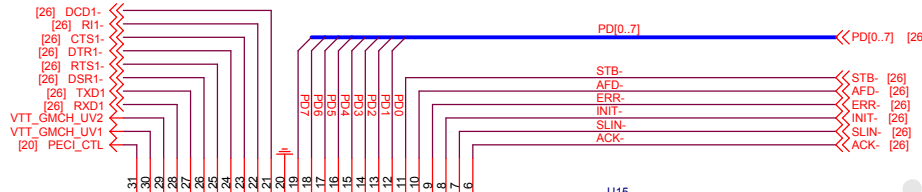
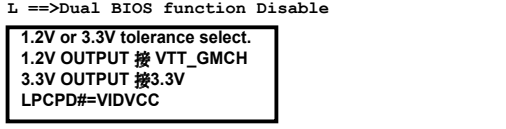
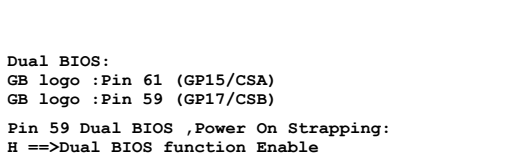
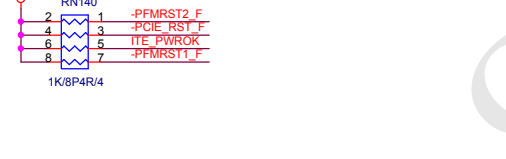
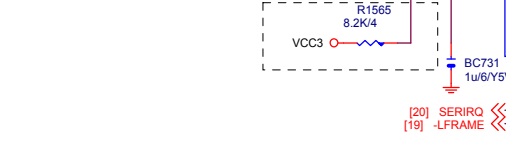
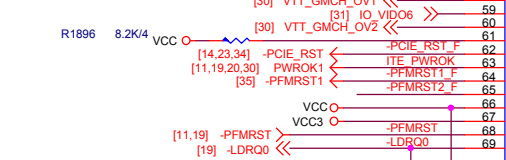
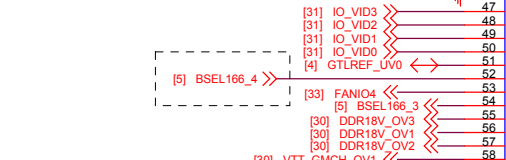
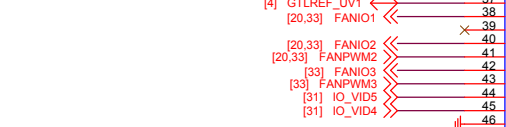
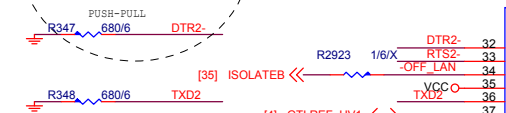
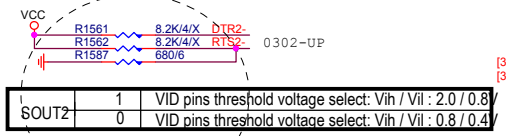
**Gigabyte Technology**

Title		
<b>FDD,F_USB</b>		
Size	Document Number	Rev
B	<b>P35-S3G</b>	<b>1.0</b>
Date:	Thursday, November 15, 2007	Sheet 24 of 36

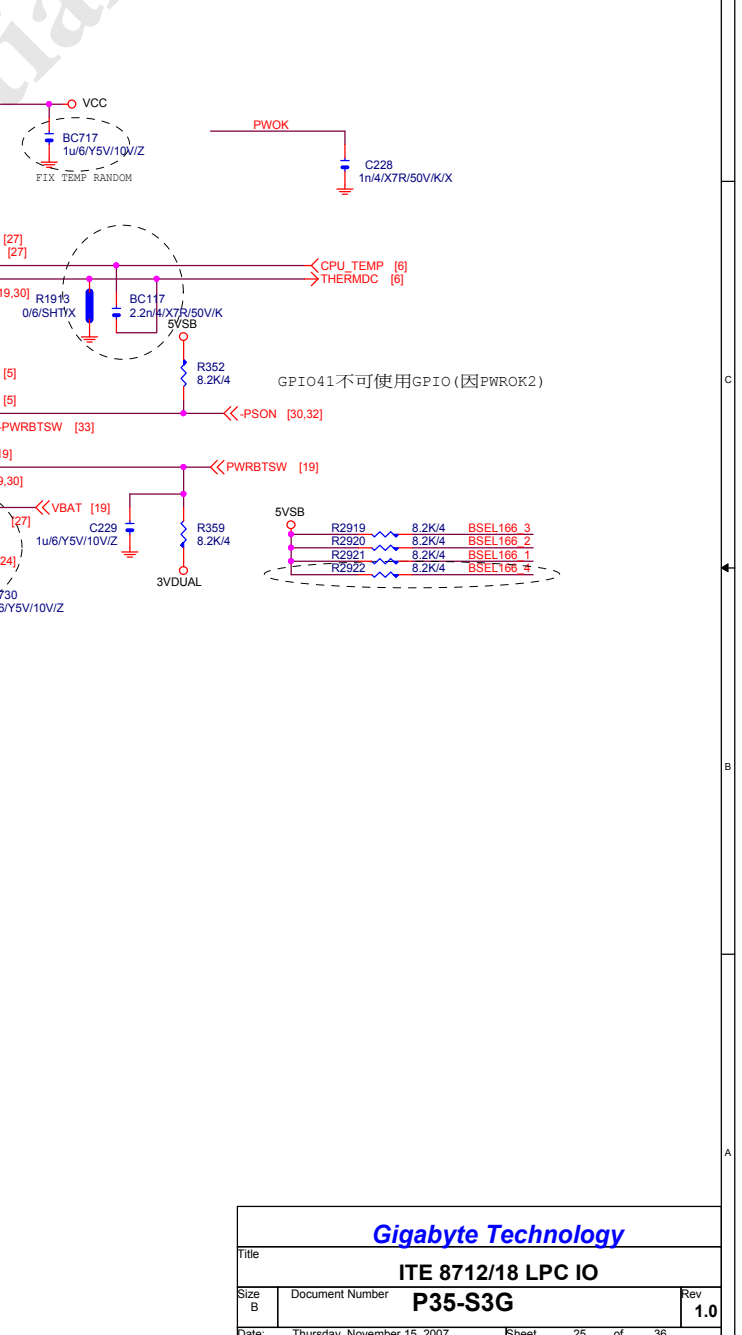
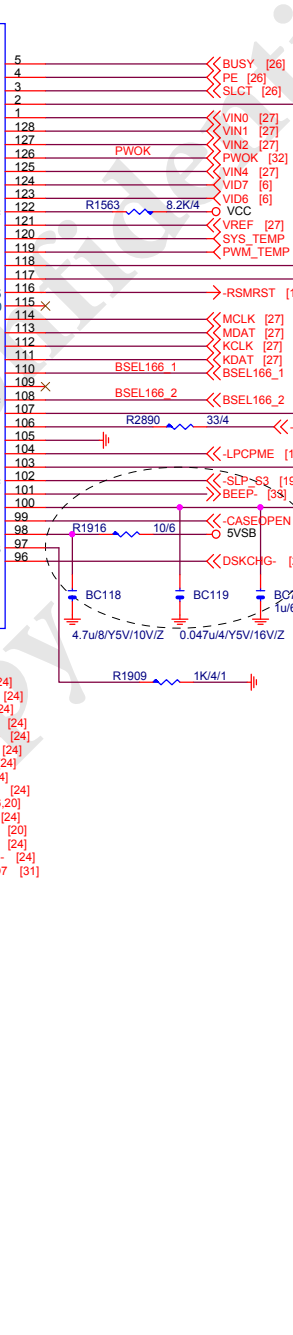
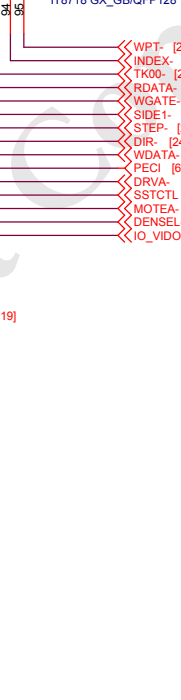
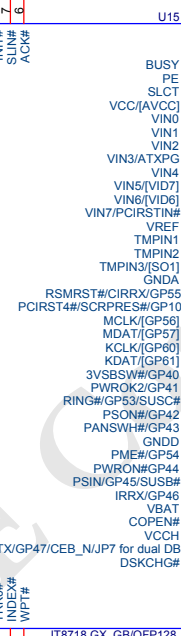


RTS2- ==LOW CPU FAN 50%  
 ==HIGH 100%

DEFAULT 50%



IT8712F/[IT8718F]

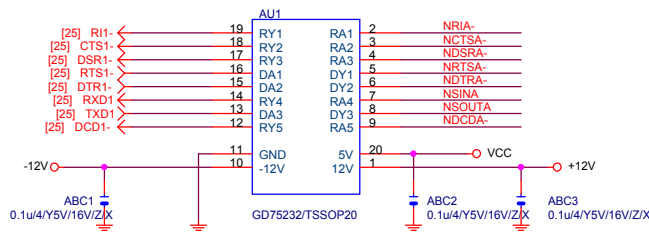


Dual BIOS:  
 GB logo : Pin 61 (GP15/CSA)  
 GB logo : Pin 59 (GP17/CSB)

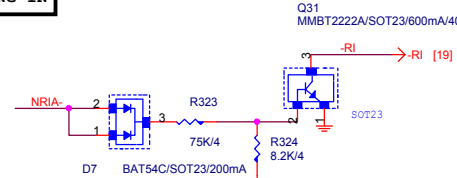
Pin 59 Dual BIOS ,Power On Strapping:  
 H ==>Dual BIOS function Enable  
 L ==>Dual BIOS function Disable

1.2V or 3.3V tolerance select.  
 1.2V OUTPUT 接 VTT\_GMCH  
 3.3V OUTPUT 接 3.3V  
 LPCPD# = VIDVCC

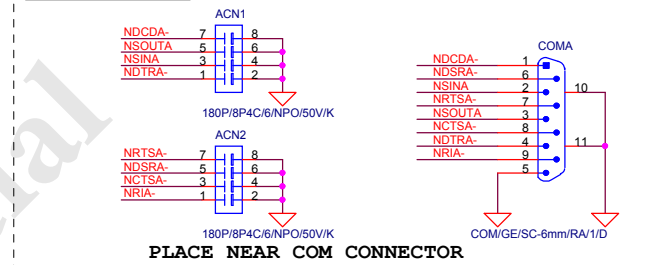
**COMA**



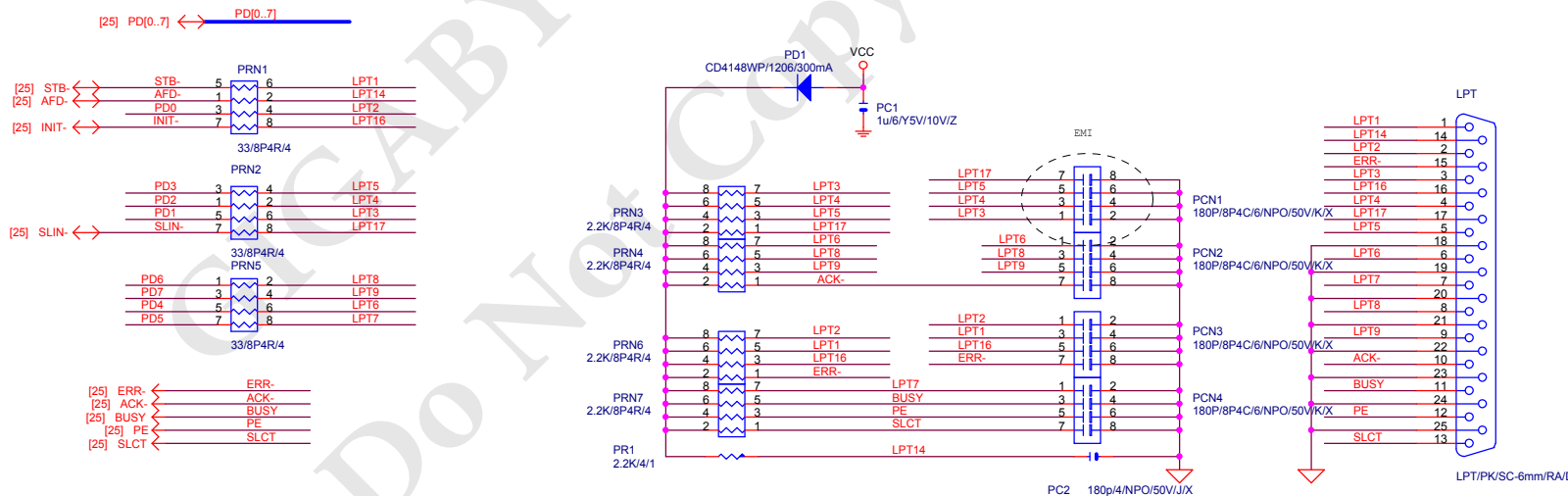
**RING IN**



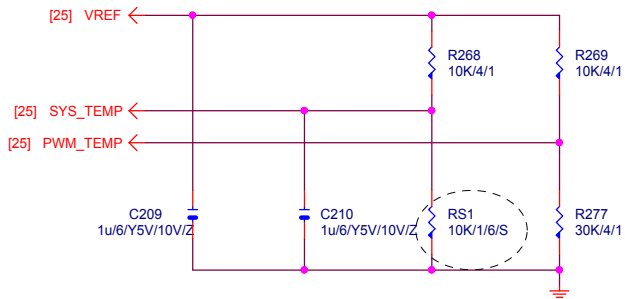
**EXTERNAL COMA**



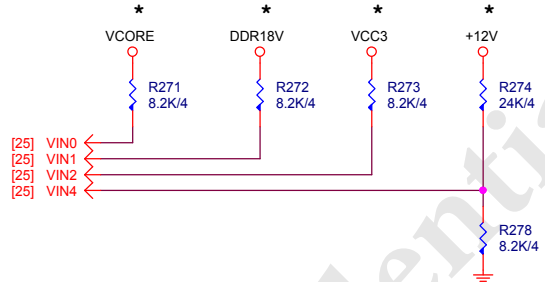
**LPT PORT**



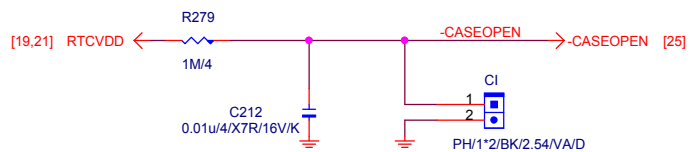
### TEMP H/W MONITOR



### VOLTAGE-- H/W MONITOR

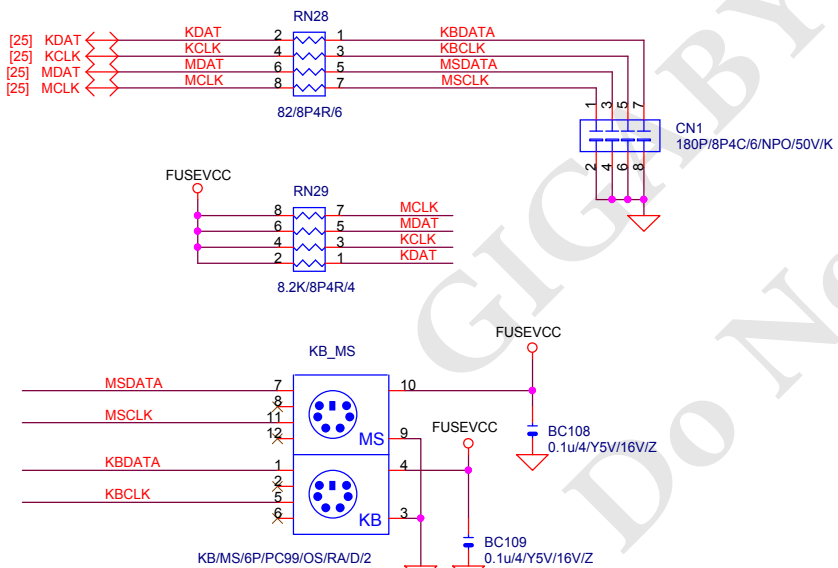


### CASE OPEN

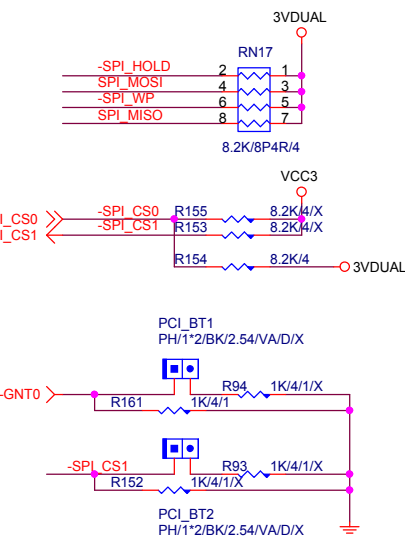
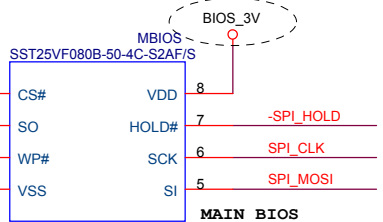
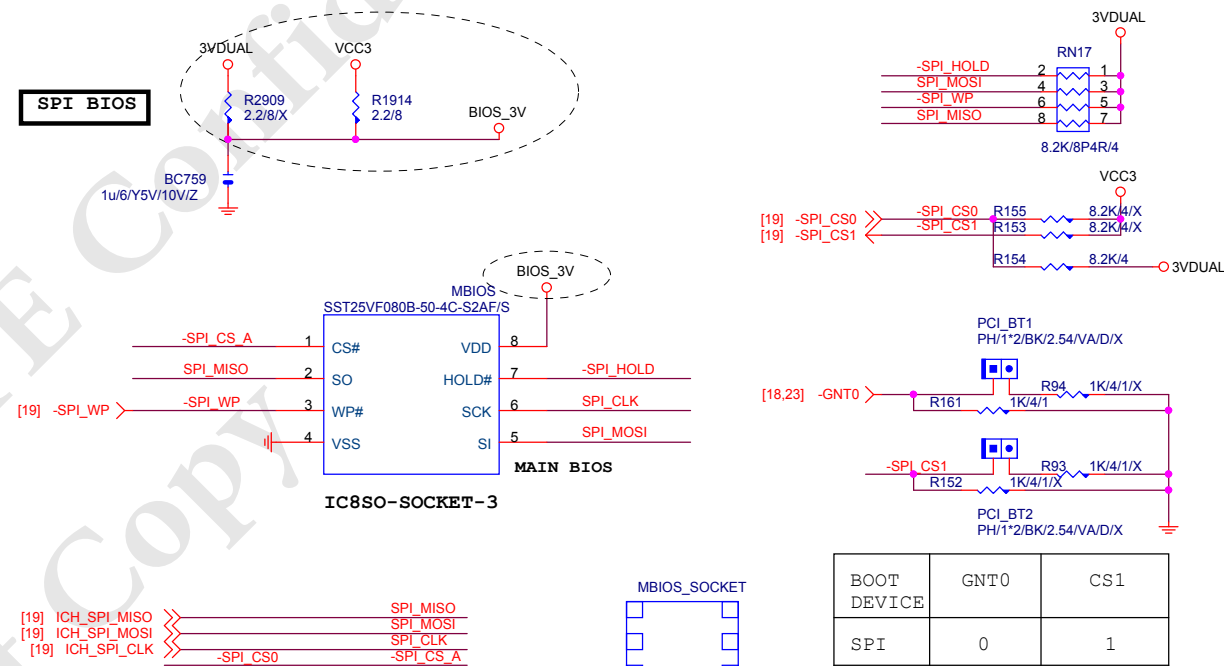


Case Open Circuits

### KB/MS



### SPI BIOS



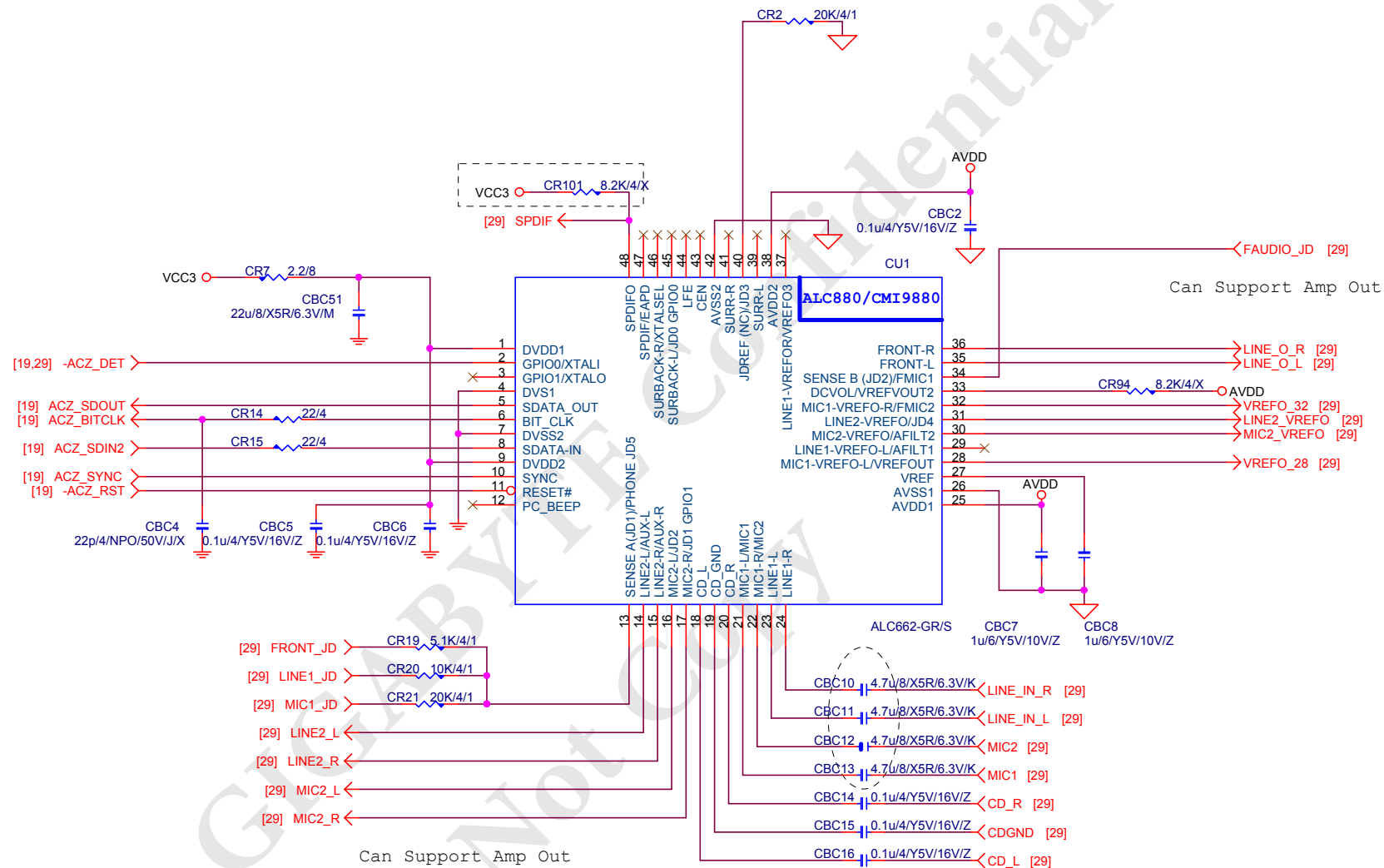
BOOT DEVICE	GNT0	CS1
SPI	0	1
PCI	1	0
FWH	1	1

**Gigabyte Technology**

**HW-MONITOR/CI/KB/MS/BIOS**

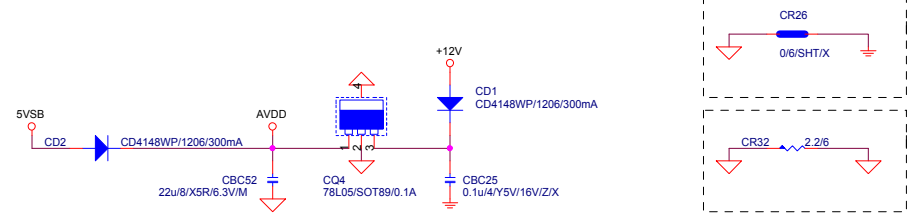
Size Custom Document Number **P35-S3G** Rev **1.0**

Date: Thursday, November 15, 2007 Sheet 27 of 36

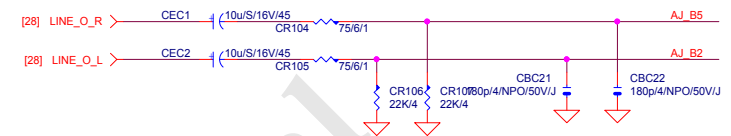


<b>Gigabyte Technology</b>			
Title			
<b>AZALIA ALC662</b>			
Size	Document Number	<b>P35-S3G</b>	
Custom			Rev <b>1.0</b>
Date:	Thursday, November 15, 2007	Sheet	28 of 36

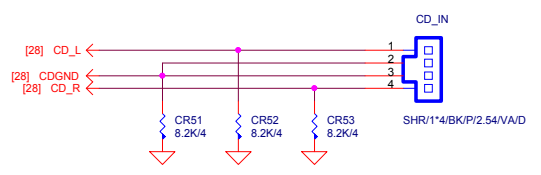
**CODEC POWER/EMI PAD**



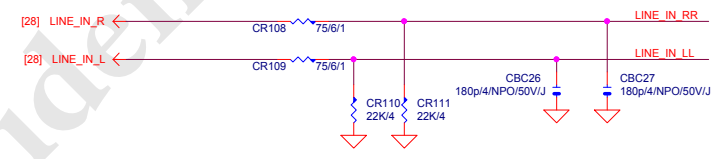
**LINE-OUT**



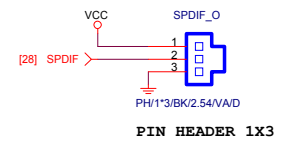
**CD IN**



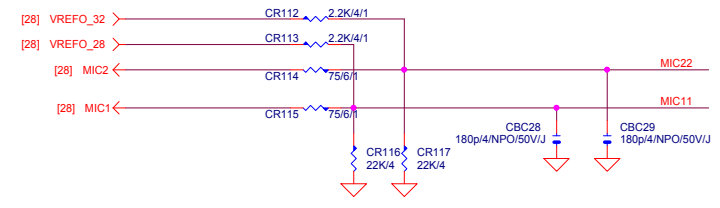
**LINE-IN**



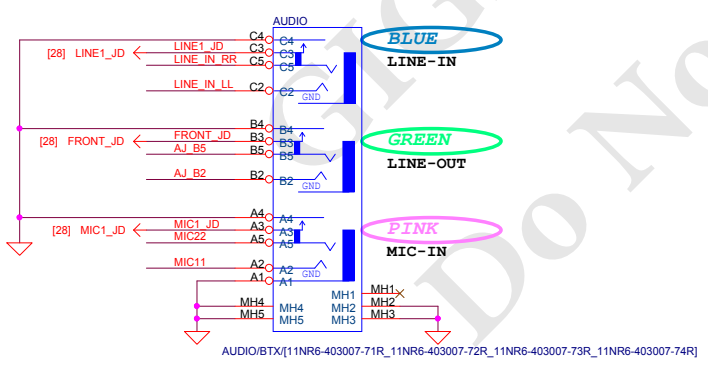
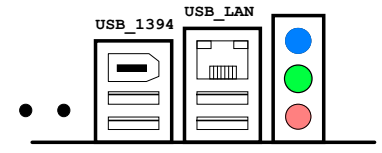
**SPDIF**



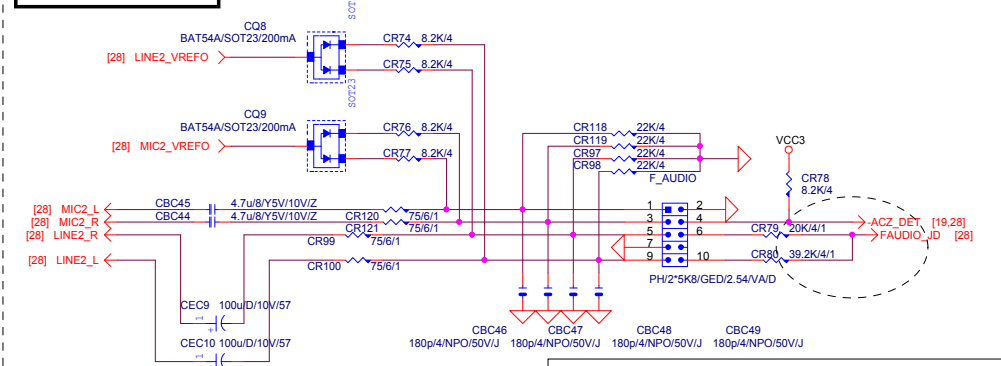
**MIC-IN**



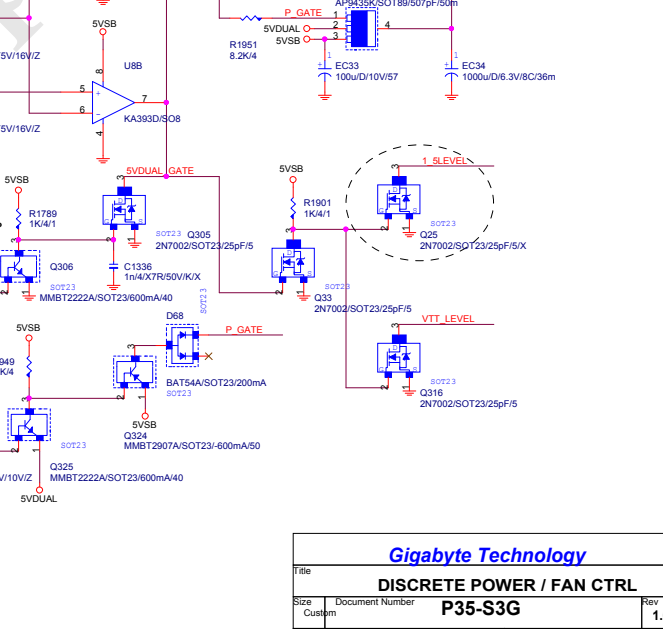
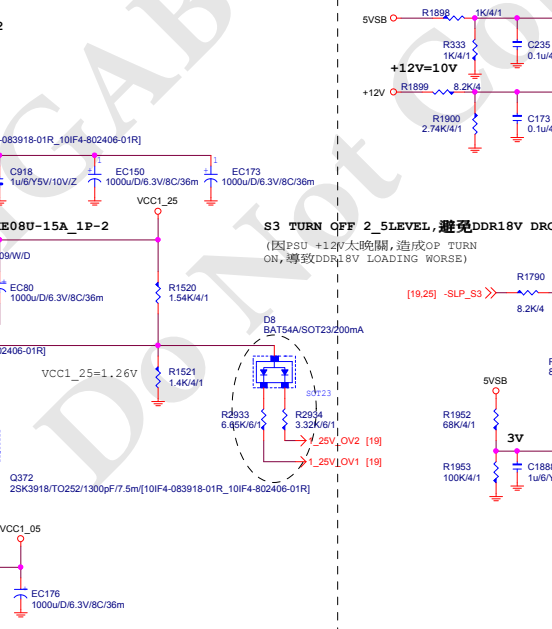
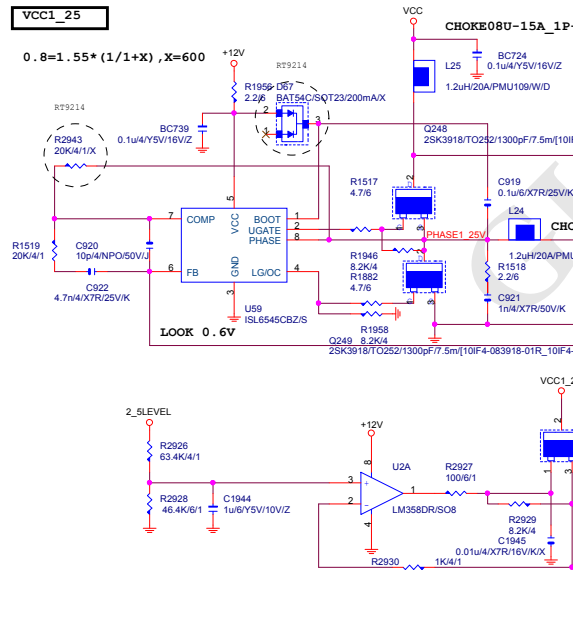
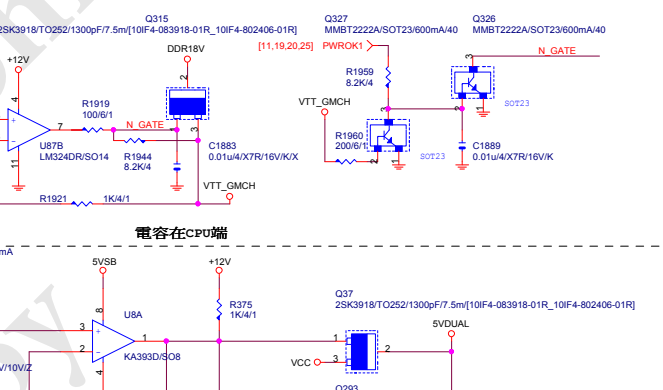
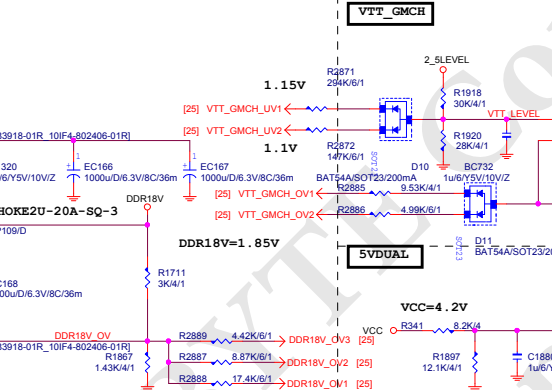
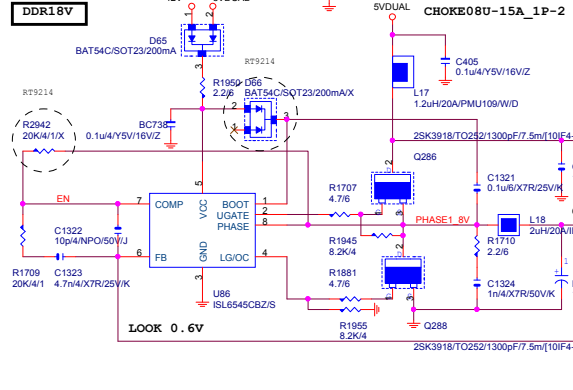
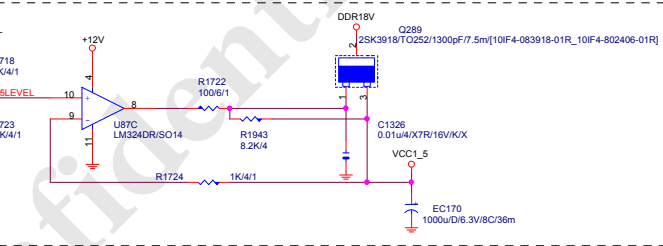
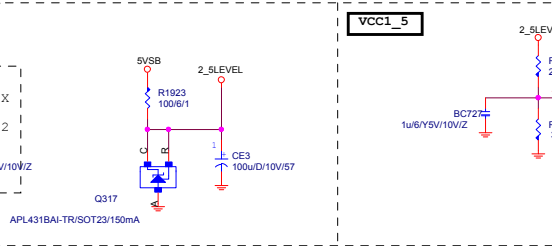
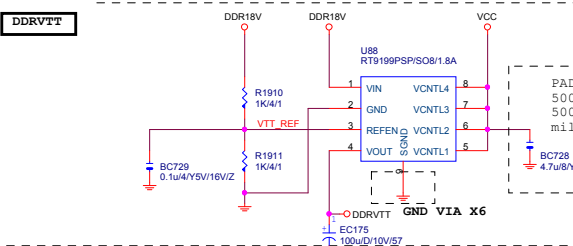
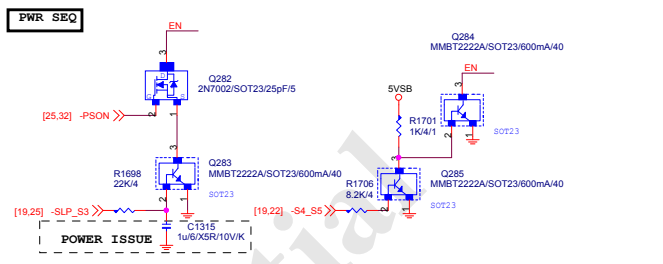
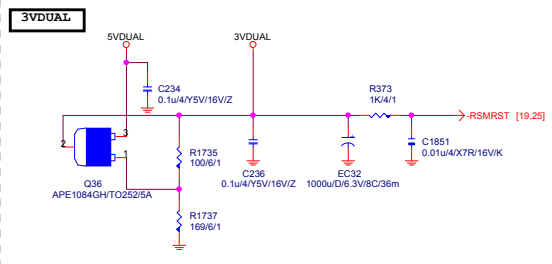
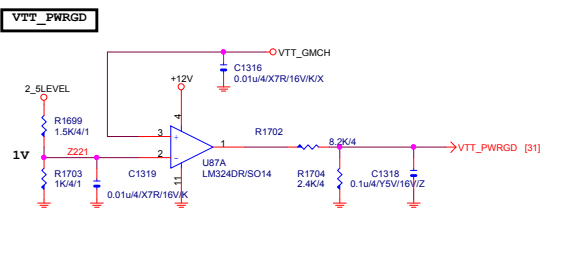
**AZALIA JACK**



**AZALIA FRONT PANEL**

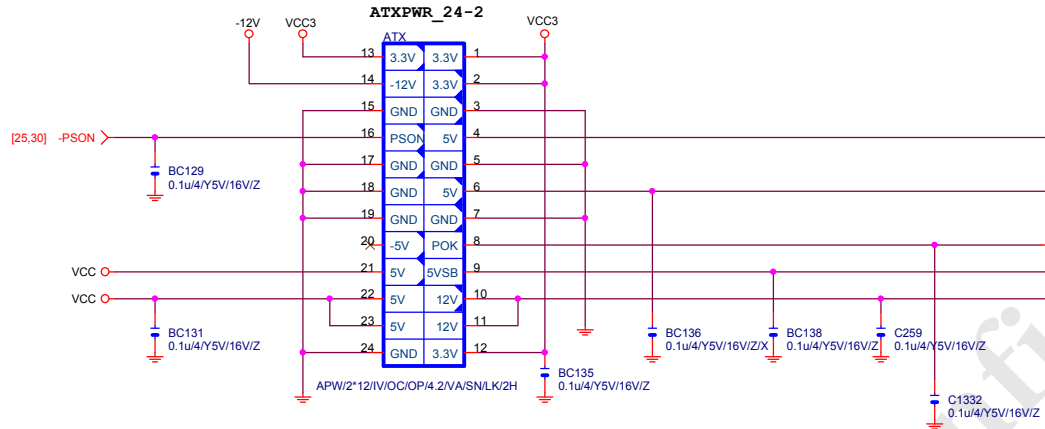


<b>Gigabyte Technology</b>			
<b>AUDIO JACK</b>			
Title	Document Number <b>P35-S3G</b>		
Size Custom	Rev <b>1.0</b>		
Date: Thursday, November 15, 2007	Sheet 29	of 36	

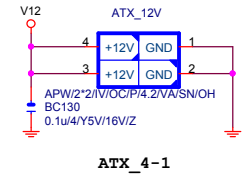
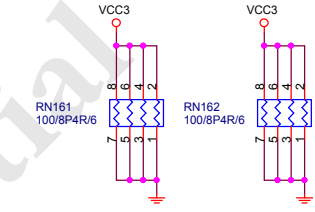




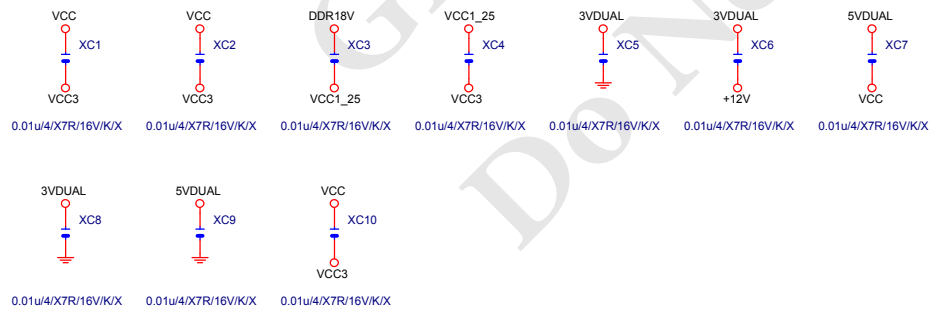
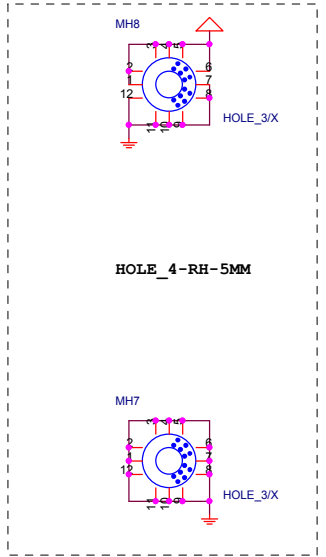
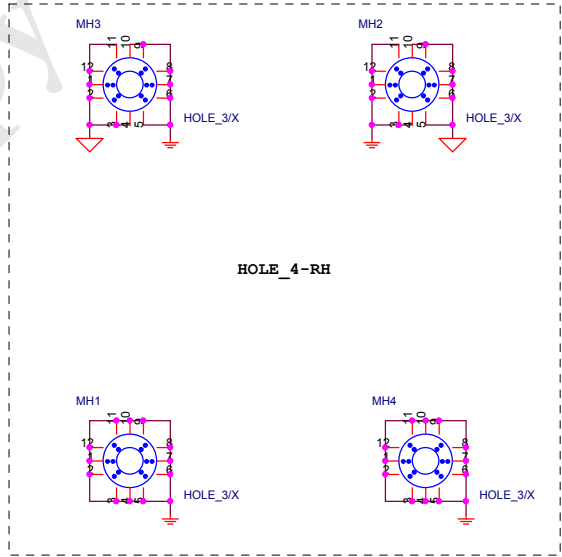
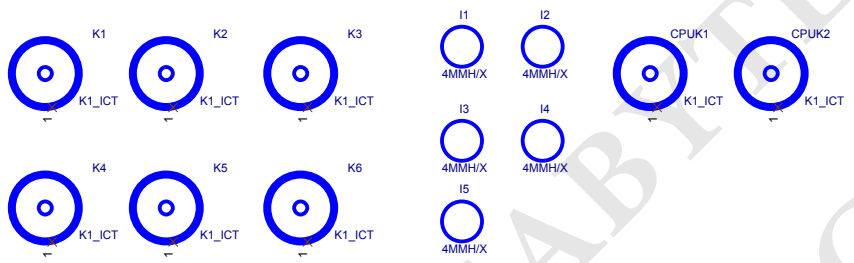
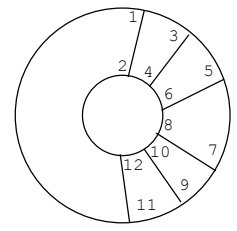
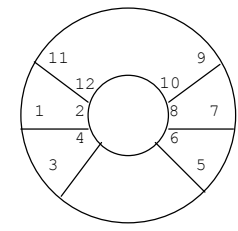
# ATX POWER CONNECTOR



## FIX PWR AcBel (ATX-400C-A2ADB)



ATX\_4-1

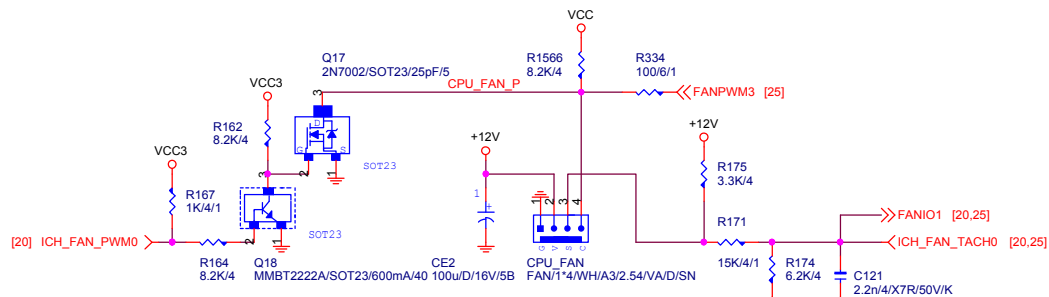


<b>Gigabyte Technology</b>			
<b>ATX POWER CONNECTOR</b>			
Size B	Document Number	<b>P35-S3G</b>	Rev <b>1.0</b>
Date:	Thursday, November 15, 2007	Sheet 32 of 36	

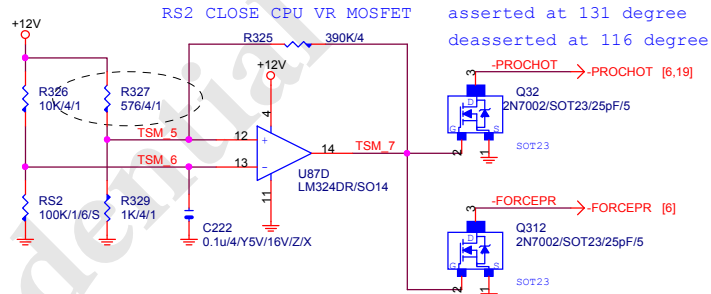


**CPU SMART FAN**

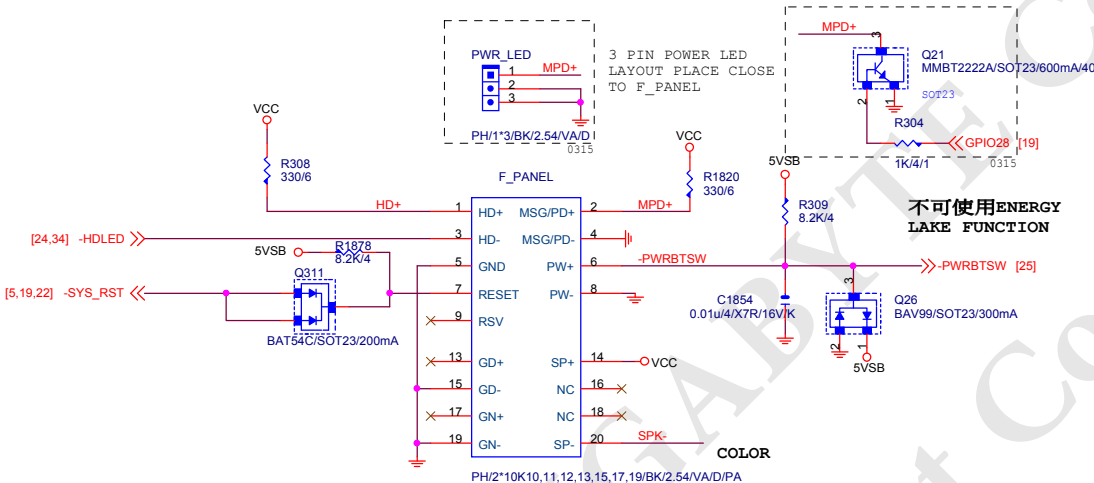
**SMART FAN**



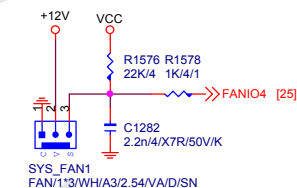
**PROCESSOR HOT**



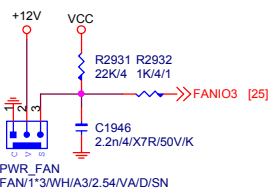
**INTEL FRONT PANEL**



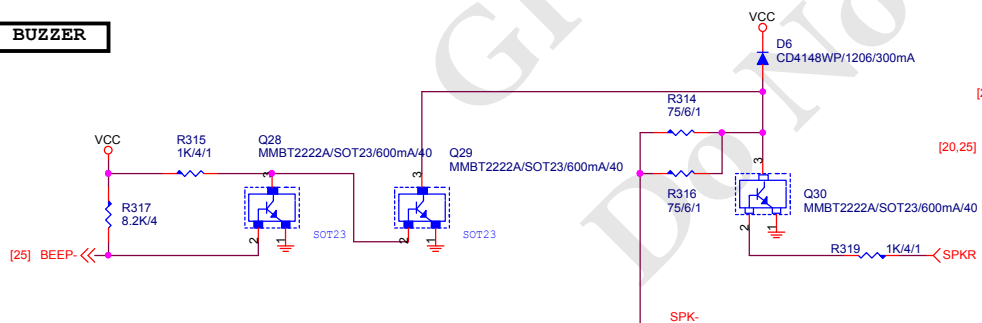
**SYS FAN**



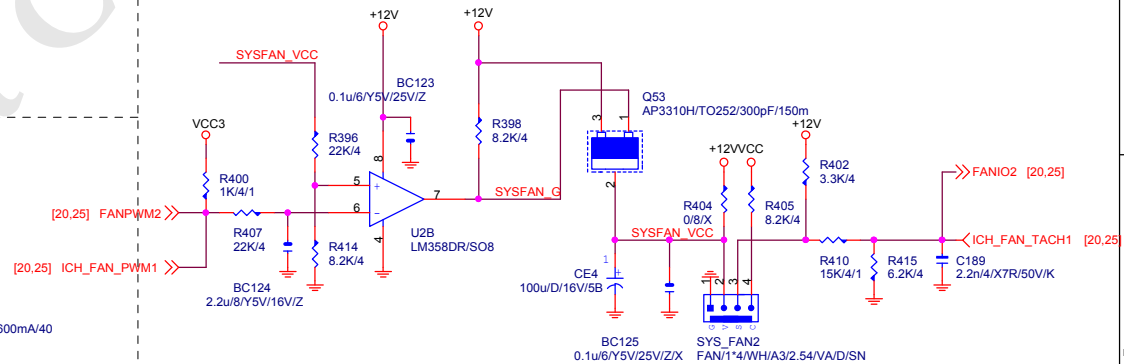
**PWR\_FAN**



**BUZZER**



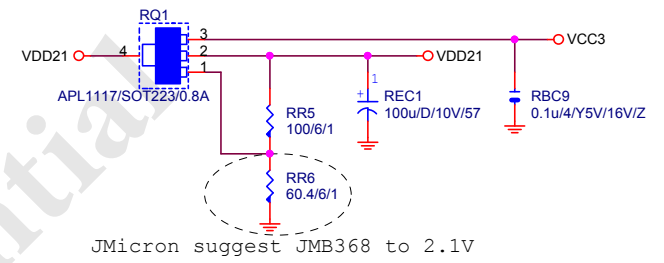
**SYS SMART FAN**



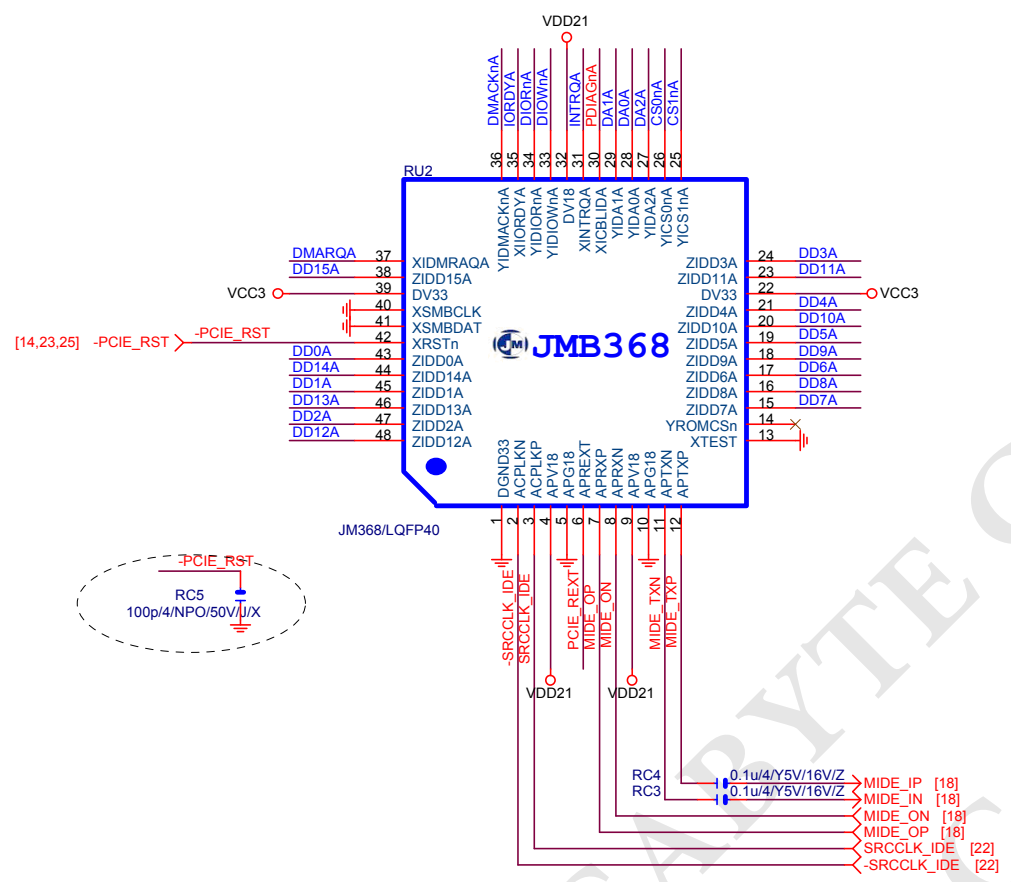
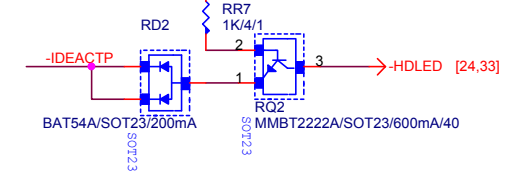
Gigabyte Technology

Title		<b>FRONT PANEL</b>	
Size Custom	Document Number	<b>P35-S3G</b>	
Date:	Thursday, November 15, 2007	Sheet	33 of 36
			Rev <b>1.0</b>

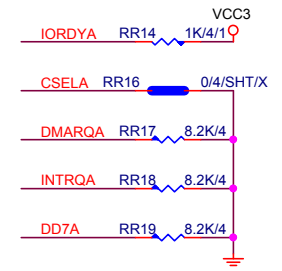
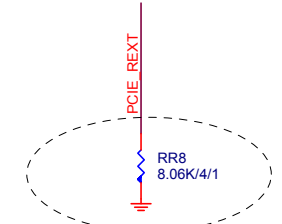
### 3.3V to 2.1V Voltage Regulator



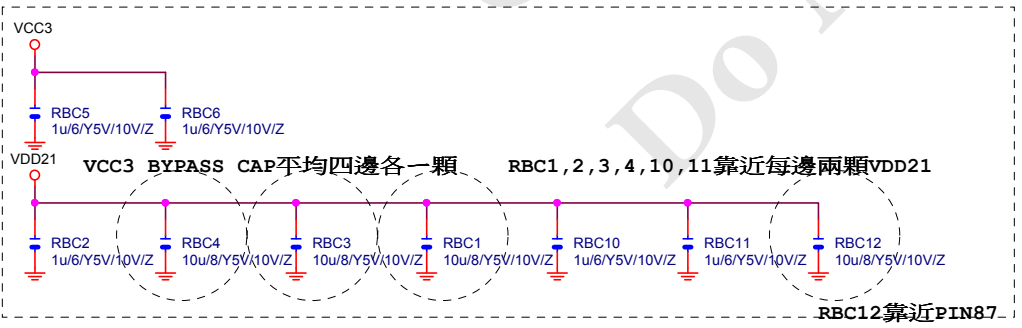
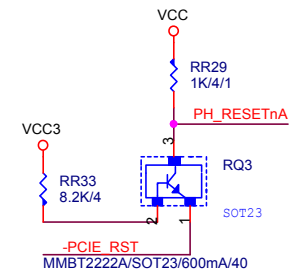
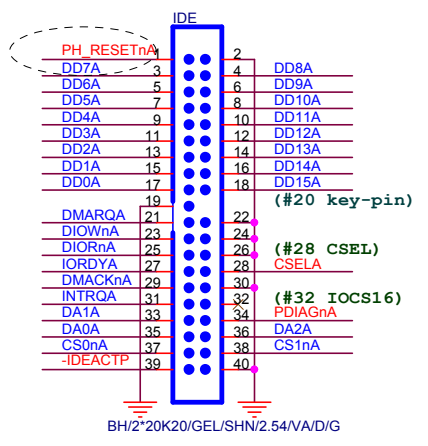
### Active LED



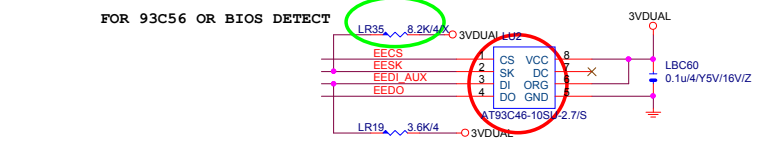
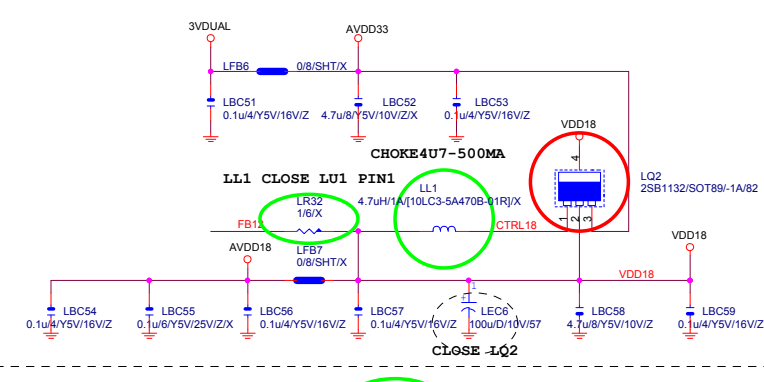
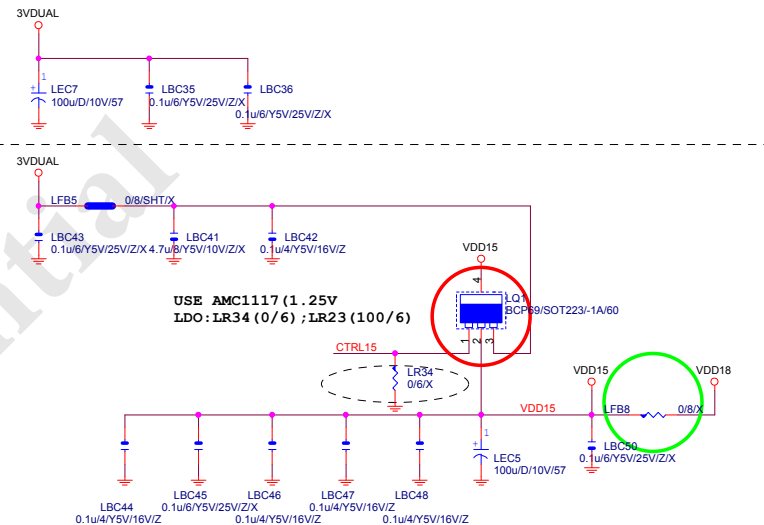
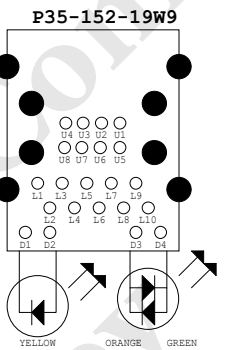
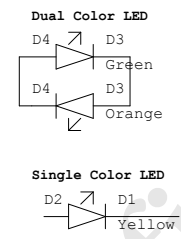
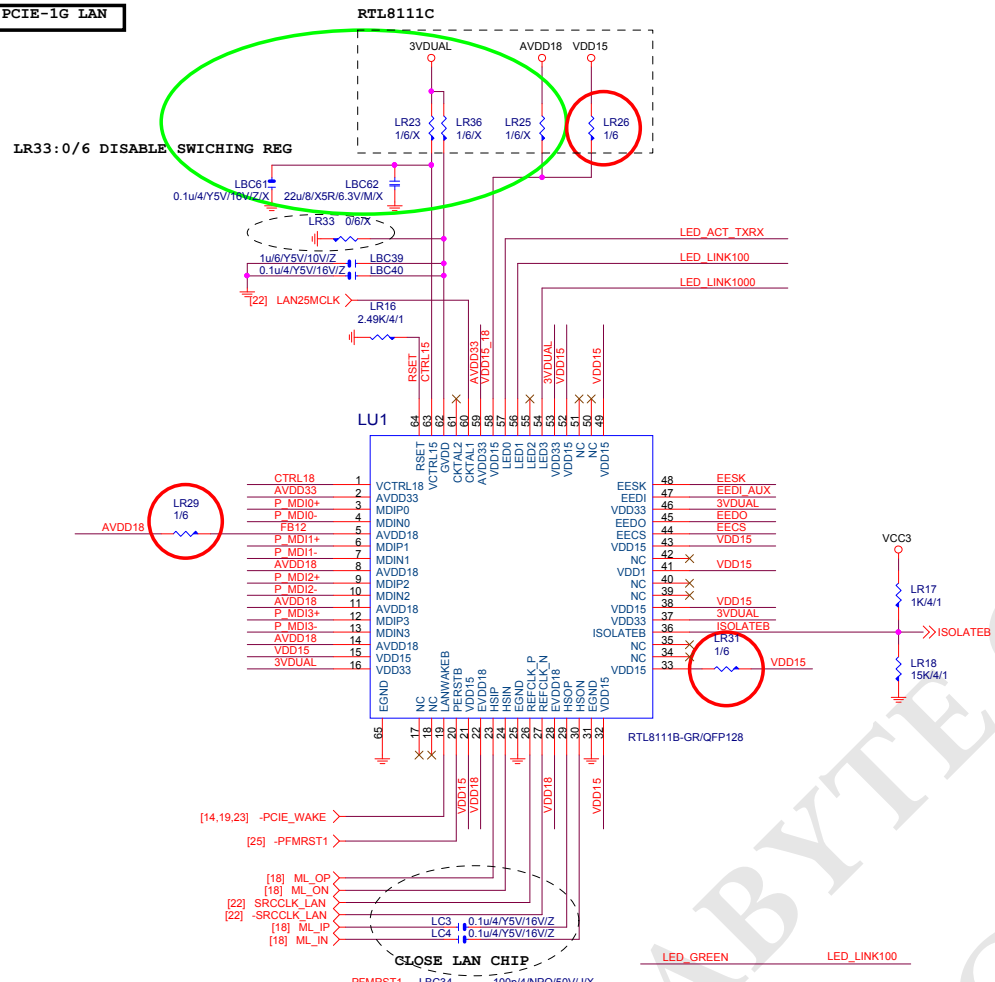
### Near to PIN



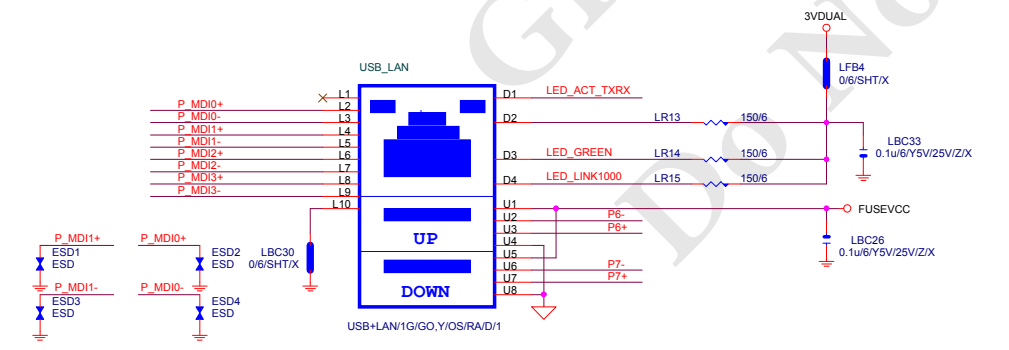
### IDE Connector



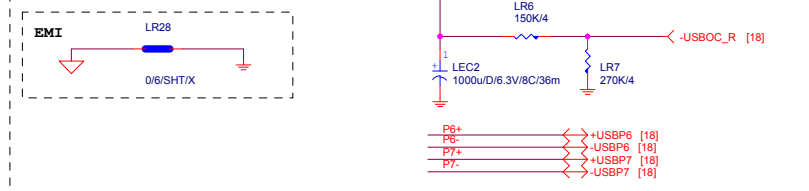
PCIe-1G LAN



USB LAN CONNECTOR



USB LAN



Gigabyte Technology

Title REALTEK RTL8111B/C

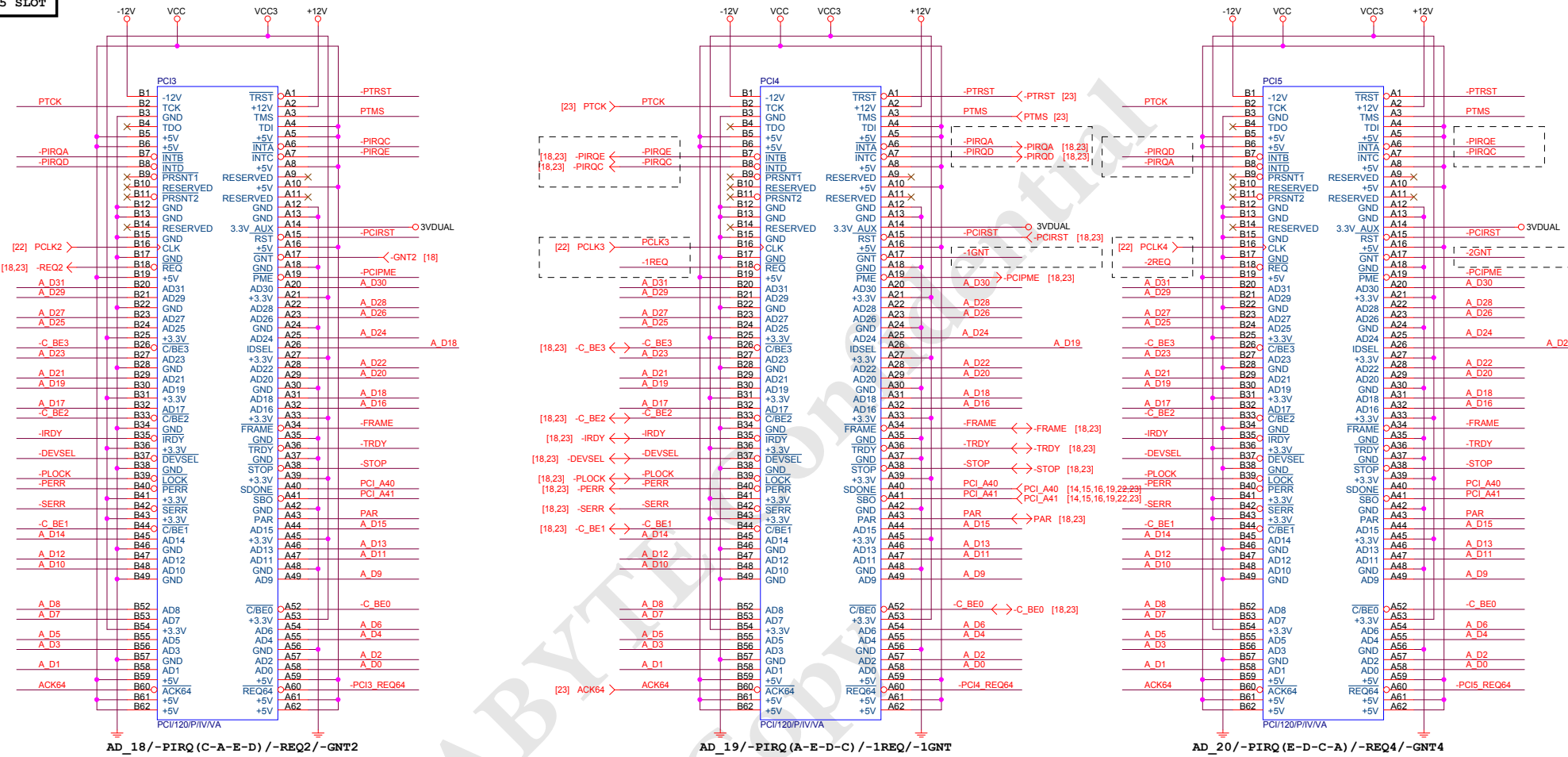
Size Custom Document Number P35-S3G

Date Thursday, November 15, 2007

Sheet 35 of 36

Rev 1.0

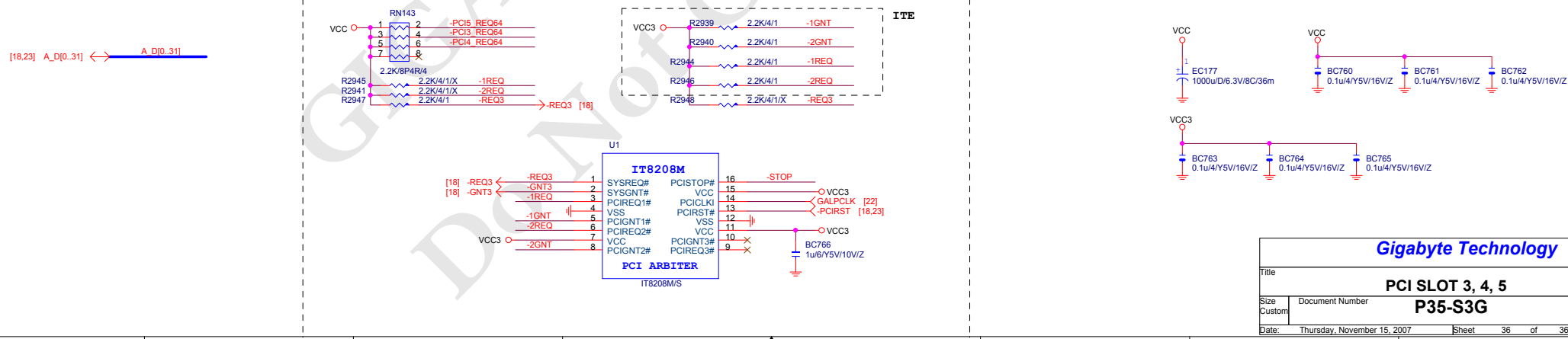
PCI 3,4,5 SLOT



AD\_18/-PIRQ (C-A-E-D) /-REQ2/-GNT2

AD\_19/-PIRQ (A-E-D-C) /-1REQ/-1GNT

AD\_20/-PIRQ (E-D-C-A) /-REQ4/-GNT4



Gigabyte Technology

Title			PCI SLOT 3, 4, 5		
Size Custom			Document Number		
			P35-S3G		
Date:			Thursday, November 15, 2007		Sheet 36 of 36
					Rev 1.0