

# Model Name: GA-H61M-DS2

Revision 2.01

SHEET

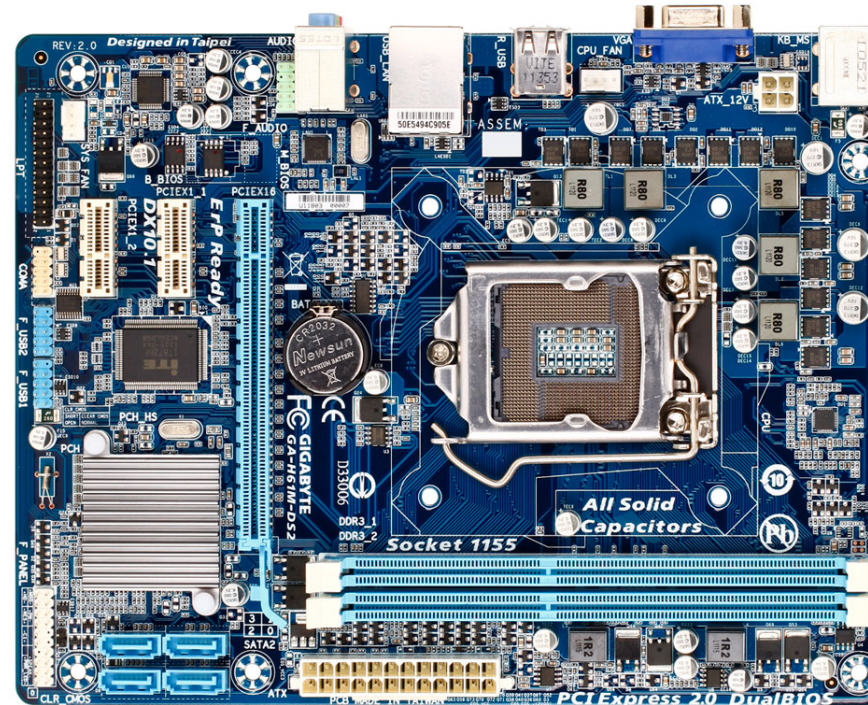
TITLE

|    |                            |
|----|----------------------------|
| 01 | COVER SHEET                |
| 02 | BOM & PCB MODIFY HISTORY   |
| 03 | BLOCK DIAGRAM              |
| 04 | CPU_LGA1155-A              |
| 05 | CPU_LGA1155-B              |
| 06 | CPU_LGA1155-C              |
| 07 | DDR III CHANNEL A          |
| 08 | DDR III CHANNEL B          |
| 09 | PCH_FDI,DMI,USB,PCIE,NVRAM |
| 10 | PCH_DP,CLK BUFFER          |
| 11 | PCH_HOST,SATA,PCI          |
| 12 | PCH_GPIO,CTRL,AUDIO        |
| 13 | PCH_PWR,GND                |
| 14 | PCI EXPRESS*16 SLOT        |
| 15 | PCI EXPRESS*1x2 SLOT       |
| 16 | ITE 8728 LPC IO            |
| 17 | COMA,KB_MS,R_USB,-PROCHOT  |
| 18 | HWM,FAN CTRL,OV            |
| 19 | DUAL BIOS                  |
| 20 | FP,FUSB,SPK,SATALED        |
| 21 | ALC887                     |
| 22 | REAR AUDIO JACK            |
| 23 | REALTEK 8111E/USB_LAN      |
| 24 | DISCRETE POWER             |
| 25 | ATX,-S_WARN,-S_ACK,5VDUAL  |
| 26 | Richtek_RT8120_CPU_VTT     |
| 27 | VCORE INTERSIL_95836_1     |

SHEET

TITLE

|    |                        |
|----|------------------------|
| 28 | VCORE INTERSIL_95836_2 |
| 29 | VCORE INTERSIL_95836_3 |
| 30 | LPT                    |



Gigabyte Technology

|        |                              |             |             |
|--------|------------------------------|-------------|-------------|
| Title  |                              |             | Cover Sheet |
| Size   | Document Number              | GA-H61M-DS2 | Rev         |
| Custom |                              |             | 2.01        |
| Date:  | Wednesday, November 30, 2011 | Sheet       | 1 of 30     |

# Model Name: GA-H61M-DS2

Revision 2.01

## Component value change history

2011/11/30

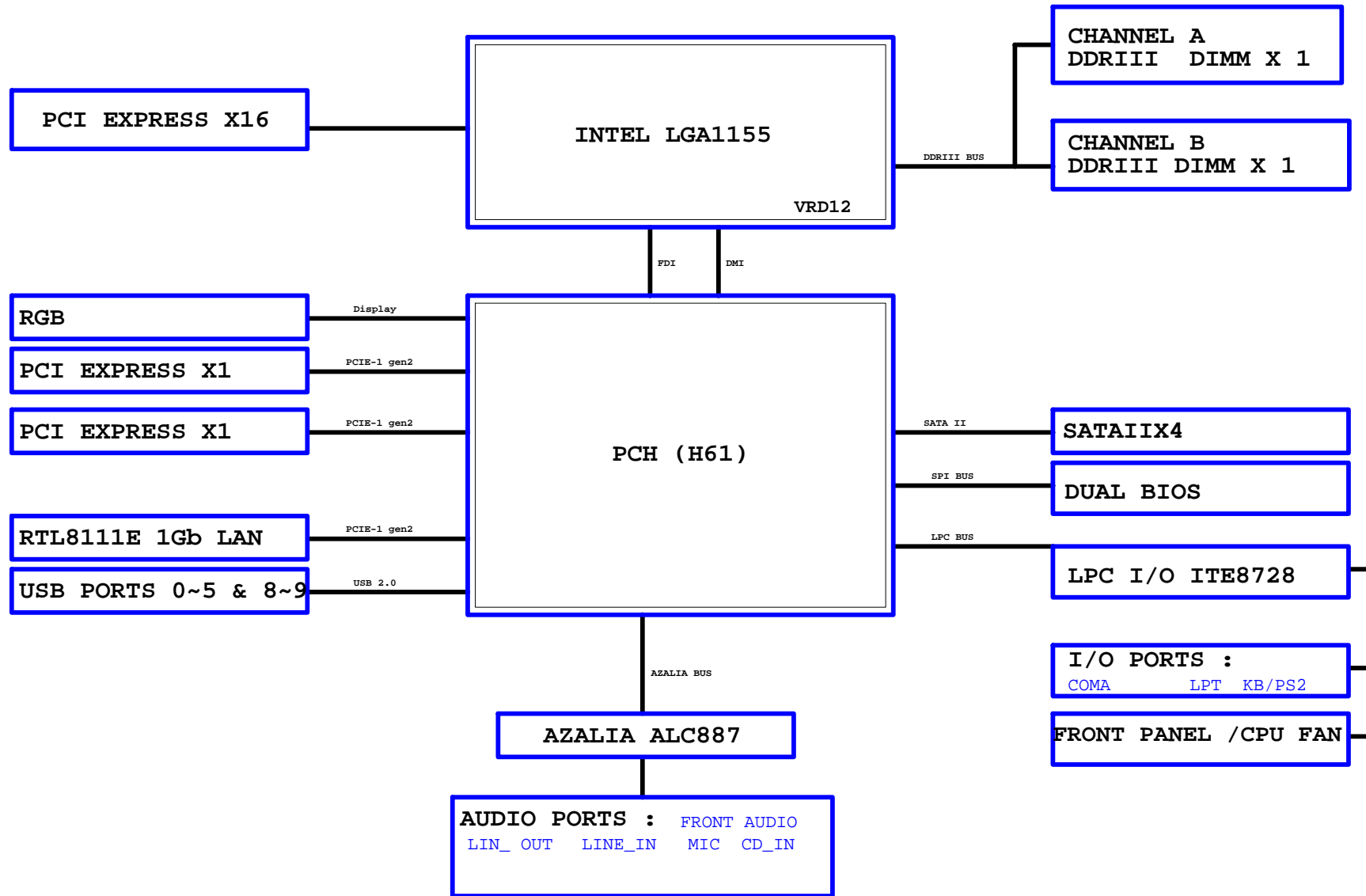
| Data       | Change Item  | Reason                          |
|------------|--|---------------------------------|
| 2011.08.22 | 9MH61MDS2-00-12A   | H61M-DS2 R1.2 BOM first release |
|            | remove BC35 & BC34 change to 0.lu fix SIO 8728 factory issue |                                 |
|            | some CAP change to Japan's os-con & adjust loadline          |                                 |
|            | add second source ON-MOSFET for VRM                          |                                 |
| 2011.09.08 | 9MH61MDS2-00-12B   |                                 |
|            | costdown BOM   |                                 |
| 2011.10.31 | 9MH61MDS2-00-12C   |                                 |
|            | MOSFET change to 9+6 solution                                |                                 |
| 2011.11.16 | 9MH61MDS2-00-12D   |                                 |
|            | PWM change to ISL95836                                       |                                 |
|            | DDR & CPU_VTT PWM change to RT8120DGSP                       |                                 |
| 2011.11.16 | 9MH61MDS2-00-20A   |                                 |
|            | costdown sequence , VTT_SEL & VSA_SEL circuit                |                                 |
|            | 9MH61MDS2-00-20B   |                                 |
|            | LAN change to RTL8111F-VL                                    |                                 |
|            | remove R37 to fix CPU_VTT no Voltage ready                   |                                 |
|            | 9MH61MDS2-00-20C   |                                 |
|            | TR68 & R416 changet to 3.3K fix Voltage level                |                                 |
|            | add BC165 fix STR issue                                      |                                 |
|            | 9MH61MDS2-00-20D   |                                 |
|            | fix frequency down issue & change to PBOM                    |                                 |
|            | 9MH61MDS2-00-20E   |                                 |
|            | TR68 change to 3K adjust CPU_VTT Voltage level               |                                 |
|            | 9MH61MDS2-00-20F   |                                 |

## Circuit or PCB layout change

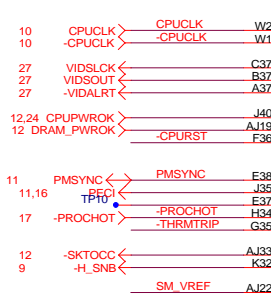
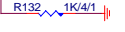
| DATE       | Change Item                                | Reason |
|------------|--|--------|
| 2011.08.16 | H61M-DS2 R1.2 gerber out                   |        |
|            | add LAR14 shortpin short R_USB AGND & DGND |        |
| 2011.09.07 | H61M-DS2 R1.21 gerber out                  |        |
|            | PWM change to ISL95836                     |        |
|            | DDR & CPU_VTT PWM change to RT8120DGSP     |        |
| 2011.11.01 | H61M-DS2 R2.0 gerber out                   |        |
|            | VBOOT circuit change                       |        |
|            | ISOLAT change from SIO GP40 to SIO GP17    |        |
| 2011.11.24 | H61M-DS2 R2.01 gerber out                  |        |

|                                     |                              |       |         |
|-------------------------------------|------------------------------|-------|---------|
| <b>Gigabyte Technology</b>          |                              |       |         |
| <b>BOM &amp; PCB MODIFY HISTORY</b> |                              |       |         |
| Title                               | Document Number              |       | Rev     |
| Size                                | GA-H61M-DS2                  |       | 2.01    |
| Custom                              |                              |       |         |
| Date:                               | Wednesday, November 30, 2011 | Sheet | 2 of 30 |

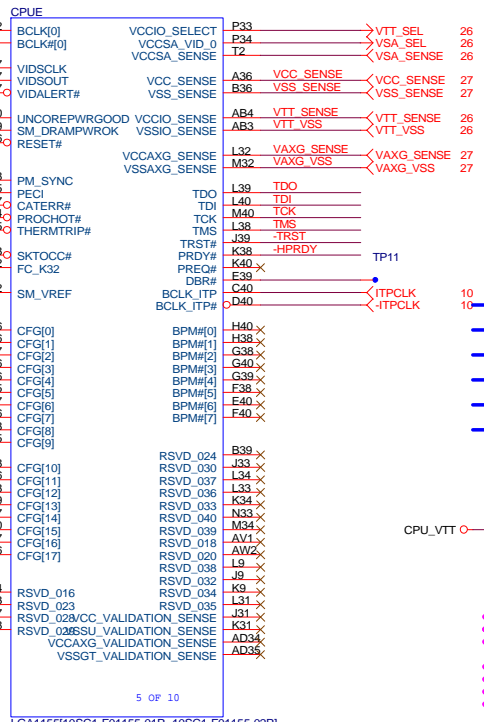
# BLOCK DIAGRAM



**CPU\_PWROK**



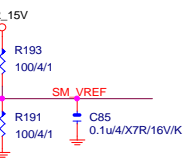
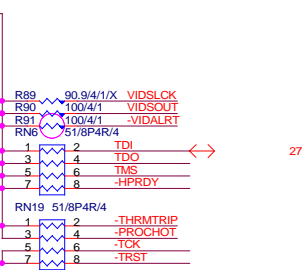
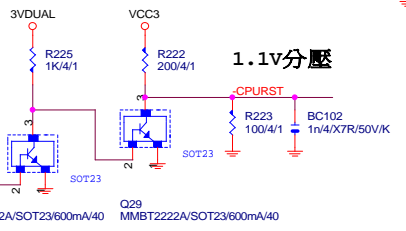
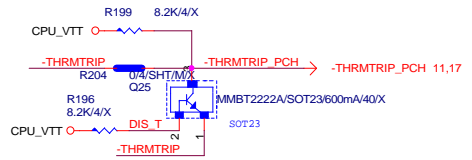
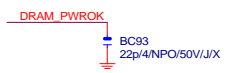
**H61M-S2C-B3 remove**



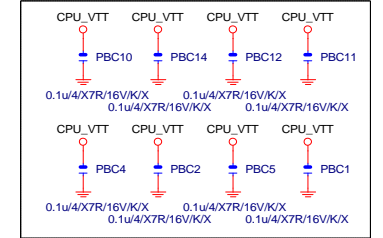
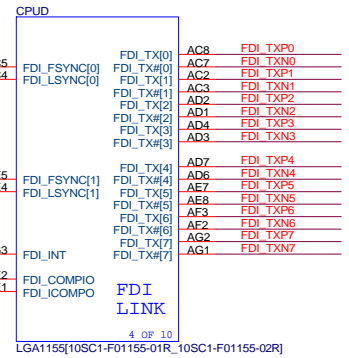
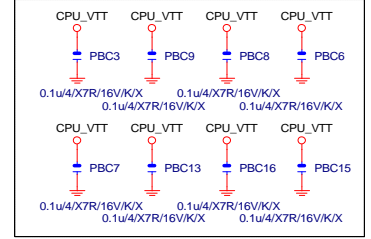
| CFG# | H    | L       | NOTE                  |
|------|------|---------|-----------------------|
| 0    | RSVD | RSVD    | RSVD                  |
| 1    | RSVD | RSVD    | RSVD                  |
| 2    | NORM | Reverse | LANE REVERSAL[0]..x16 |
| 3    | RSVD | RSVD    | RSVD                  |
| 4    | RSVD | RSVD    | RSVD                  |
| 7    | RSVD | RSVD    | RSVD                  |
| 8    | RSVD | RSVD    | RSVD                  |
| 9    | RSVD | RSVD    | RSVD                  |
| 10   | RSVD | RSVD    | RSVD                  |
| 11   | RSVD | RSVD    | RSVD                  |
| 12   | RSVD | RSVD    | RSVD                  |
| 13   | RSVD | RSVD    | RSVD                  |
| 14   | RSVD | RSVD    | RSVD                  |
| 15   | RSVD | RSVD    | RSVD                  |
| 16   | RSVD | RSVD    | RSVD                  |
| 17   | RSVD | RSVD    | RSVD                  |

| CFG6 | CFG5 | PCIE CONFIG   |
|------|------|---------------|
| 1    | 1    | 1x16, Default |
| 1    | 0    | 2x8           |
| 0    | 1    | RSVD          |
| 0    | 0    | X8, X4, X4    |

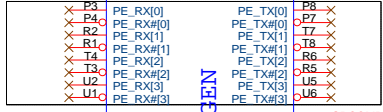
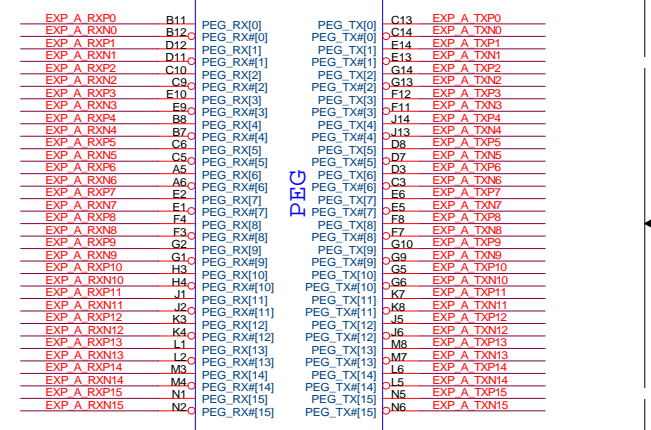
CFG 0-17 all internal PULL-UP



**Stitching caps for PCIE,DMI,FDI bus**



**Stitching caps for PCIE,DMI,FDI bus**



**Gigabyte Technology**

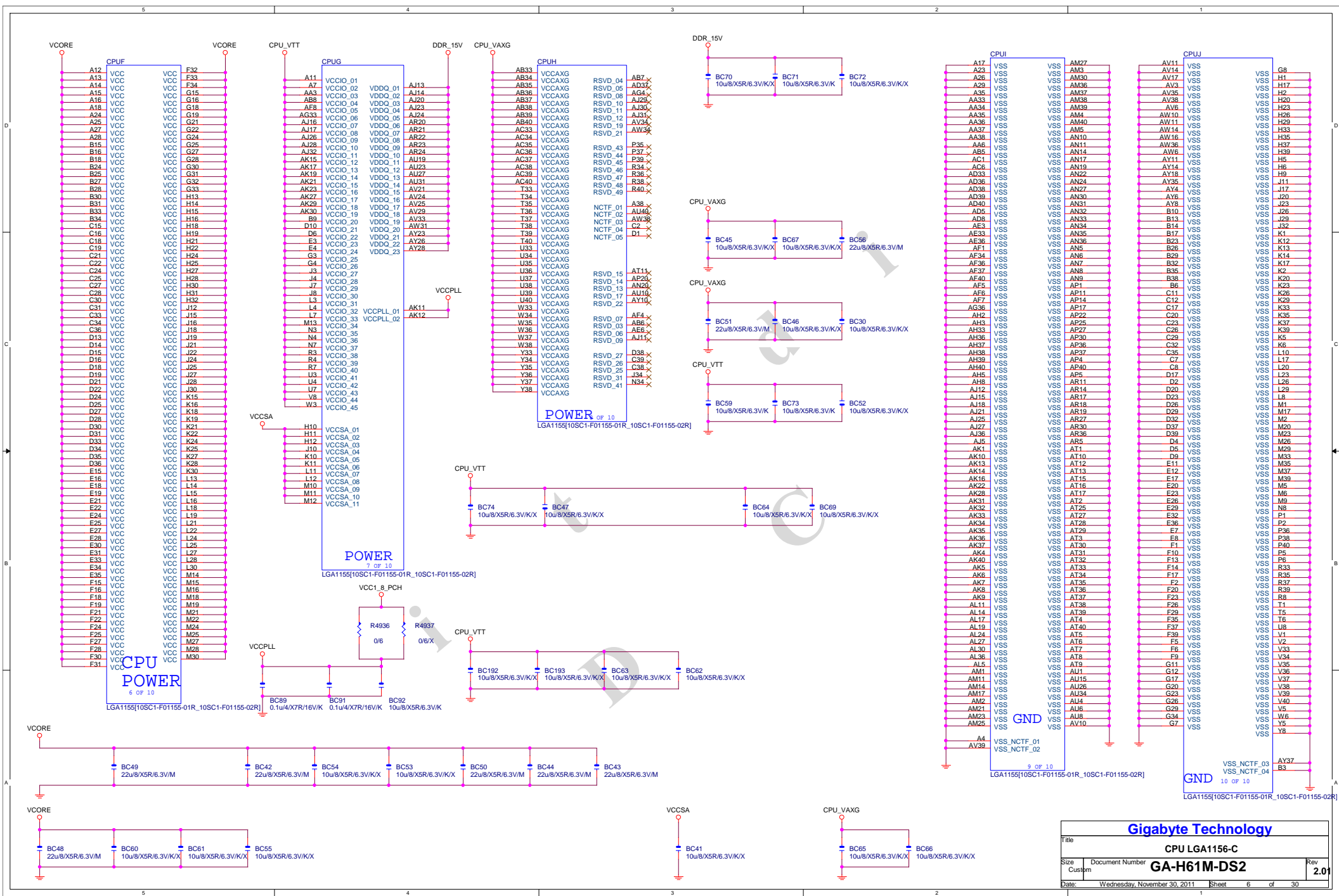
Title: **GPU LGA1155-A**

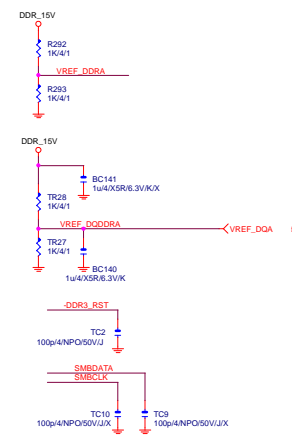
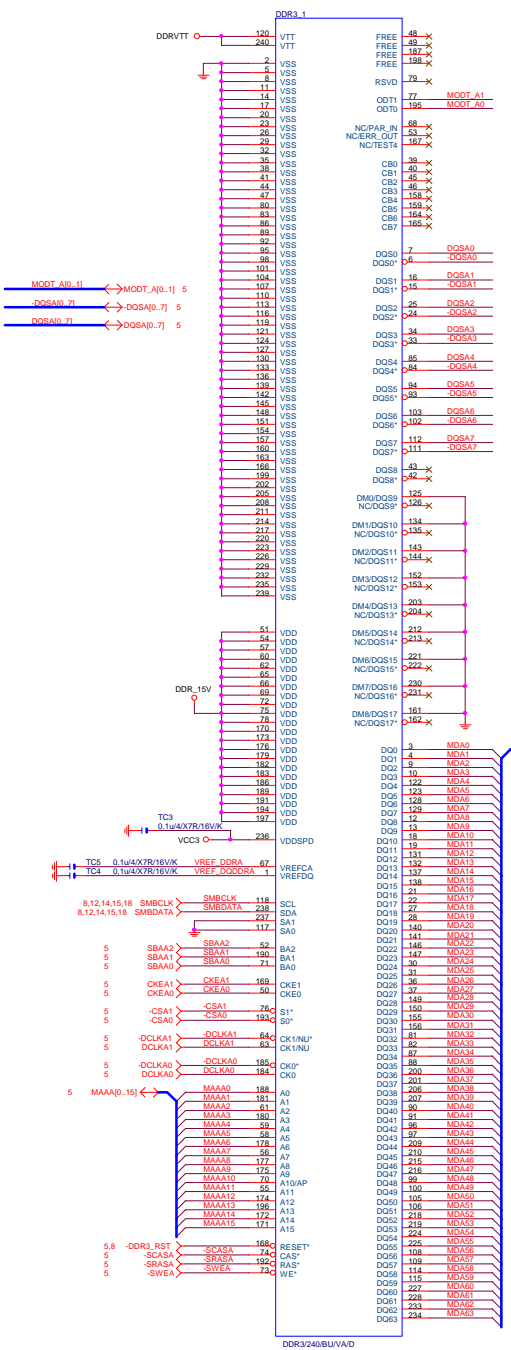
Size: Custom Document Number: **GA-H61M-DS2** Rev: **2.01**

Date: Wednesday, November 30, 2011 Sheet 4 of 30

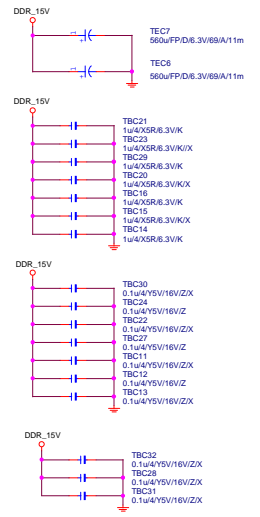




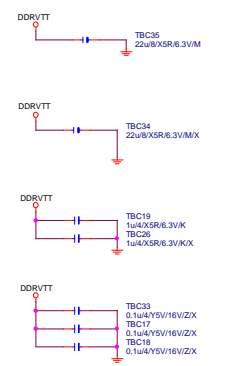




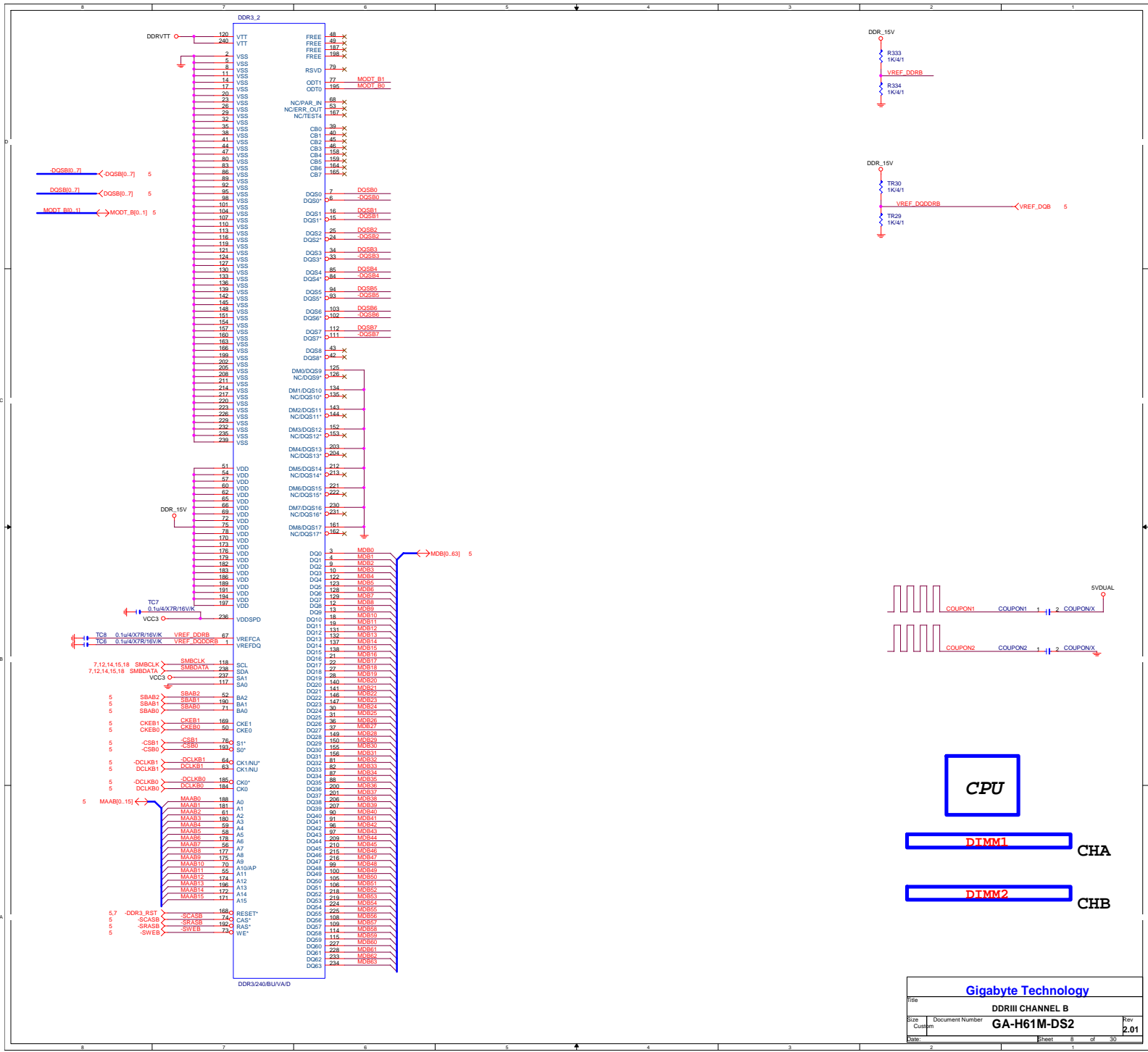
**DDR15V Decouple**



**DDRVRT Decouple**



|                               |                                     |                  |
|-------------------------------|-------------------------------------|------------------|
| <b>Gigabyte Technology</b>    |                                     |                  |
| File: <b>DDRIII CHANNEL A</b> |                                     |                  |
| Size: 2                       | Document Number: <b>GA-H61M-DS2</b> | Rev: <b>2.01</b> |
| Sheet: 7                      | of 30                               |                  |

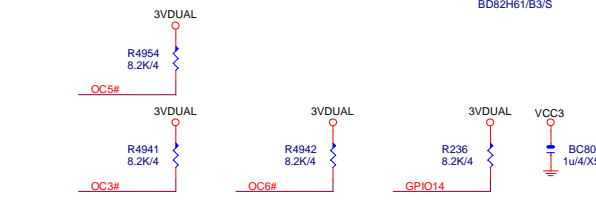
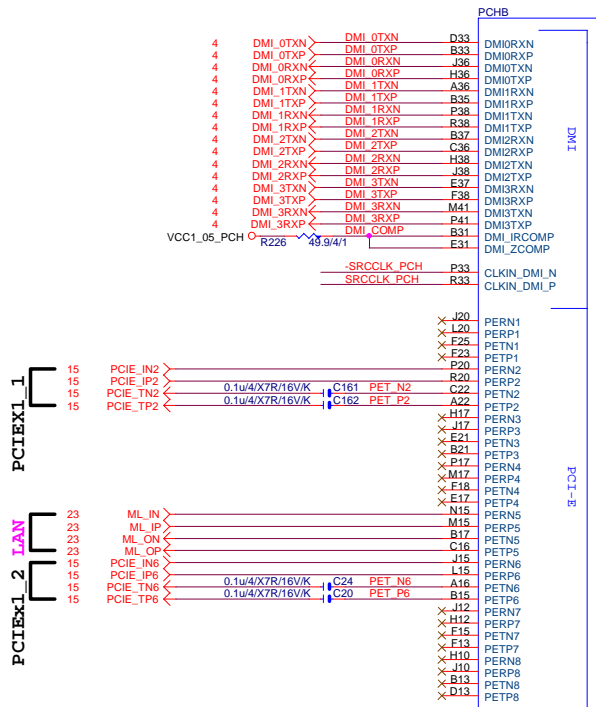
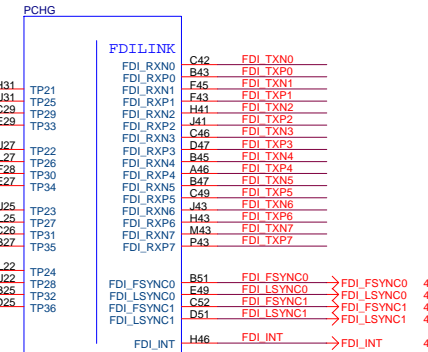




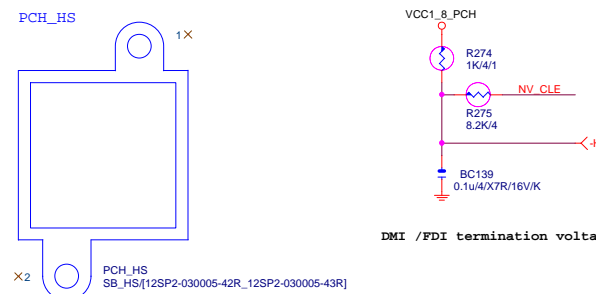
H61 disable  
USB6,7,12,13

FRONT

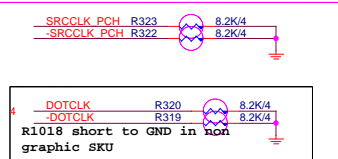
REAR



NEW FOOTPRINT: BGAHSINK\_PCH\_HS

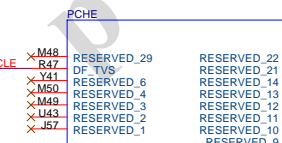
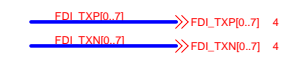
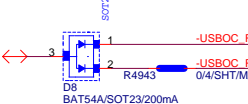


| USB OC# | Configure for H61 |
|---------|-------------------|
| OC0#    | USB0,1(F_USB1)    |
| OC1#    | USB2,3(F_USB2)    |
| OC2#    | USB4,5(USB_LAN)   |
| OC3#    | N/A               |
| OC4#    | USB8,9(R_USB1)    |
| OC5#    | USB10-11(R_USB2)  |
| OC6#    | N/A               |
| OC7#    | GPIO14            |

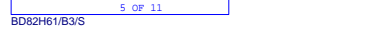


INTERNAL CLK STRAPPING

FOR FUSE SHORT GPIO



NVRAM



**Gigabyte Technology**

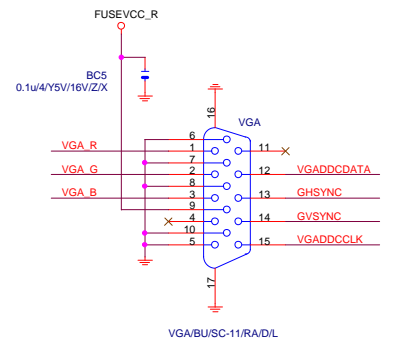
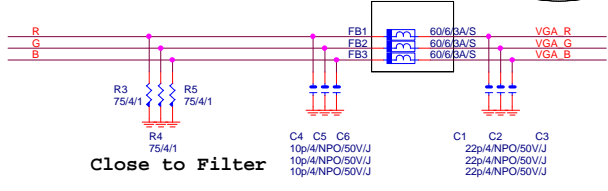
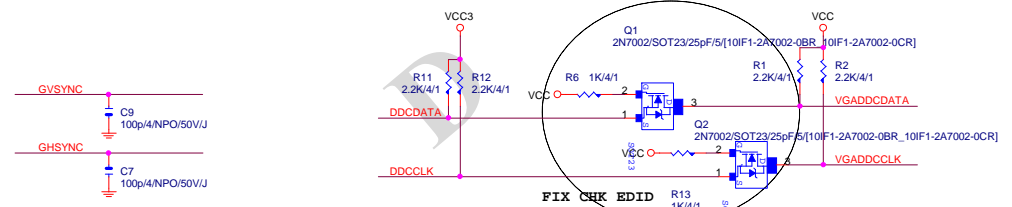
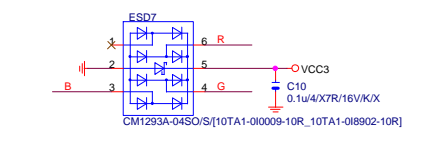
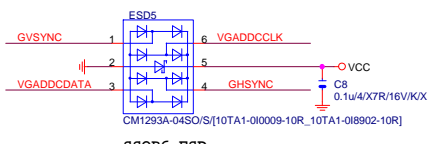
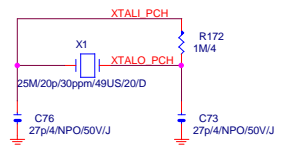
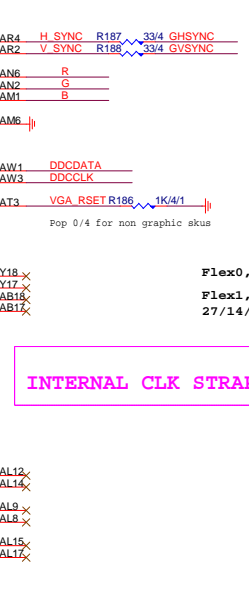
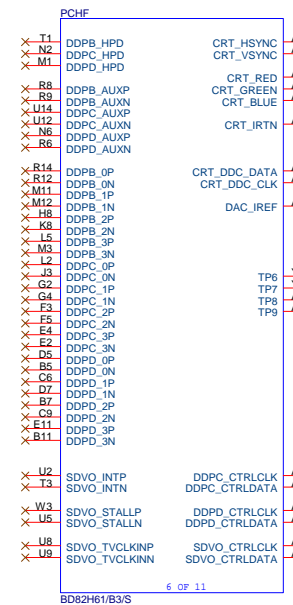
Title: PCH FDI,DMI,USB,PCI-E,NVRAM

Size: Custom Document Number

Rev: 2.01

**GA-H61M-DS2**

Date: Wednesday, November 30, 2011 Sheet 9 of 30

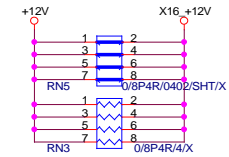
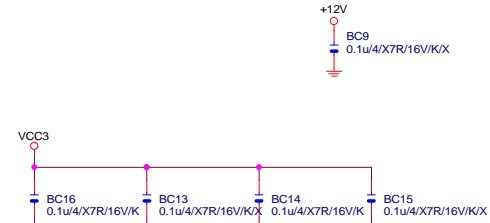


|                                |                              |                    |          |
|--------------------------------|------------------------------|--------------------|----------|
| <b>Gigabyte Technology</b>     |                              |                    |          |
| <b>PCH DISPLAY, CLK BUFFER</b> |                              |                    |          |
| Title                          | Document Number              | Rev                |          |
| Size                           | Custom                       | <b>GA-H61M-DS2</b> |          |
| Date:                          | Wednesday, November 30, 2011 | Sheet              | 10 of 30 |



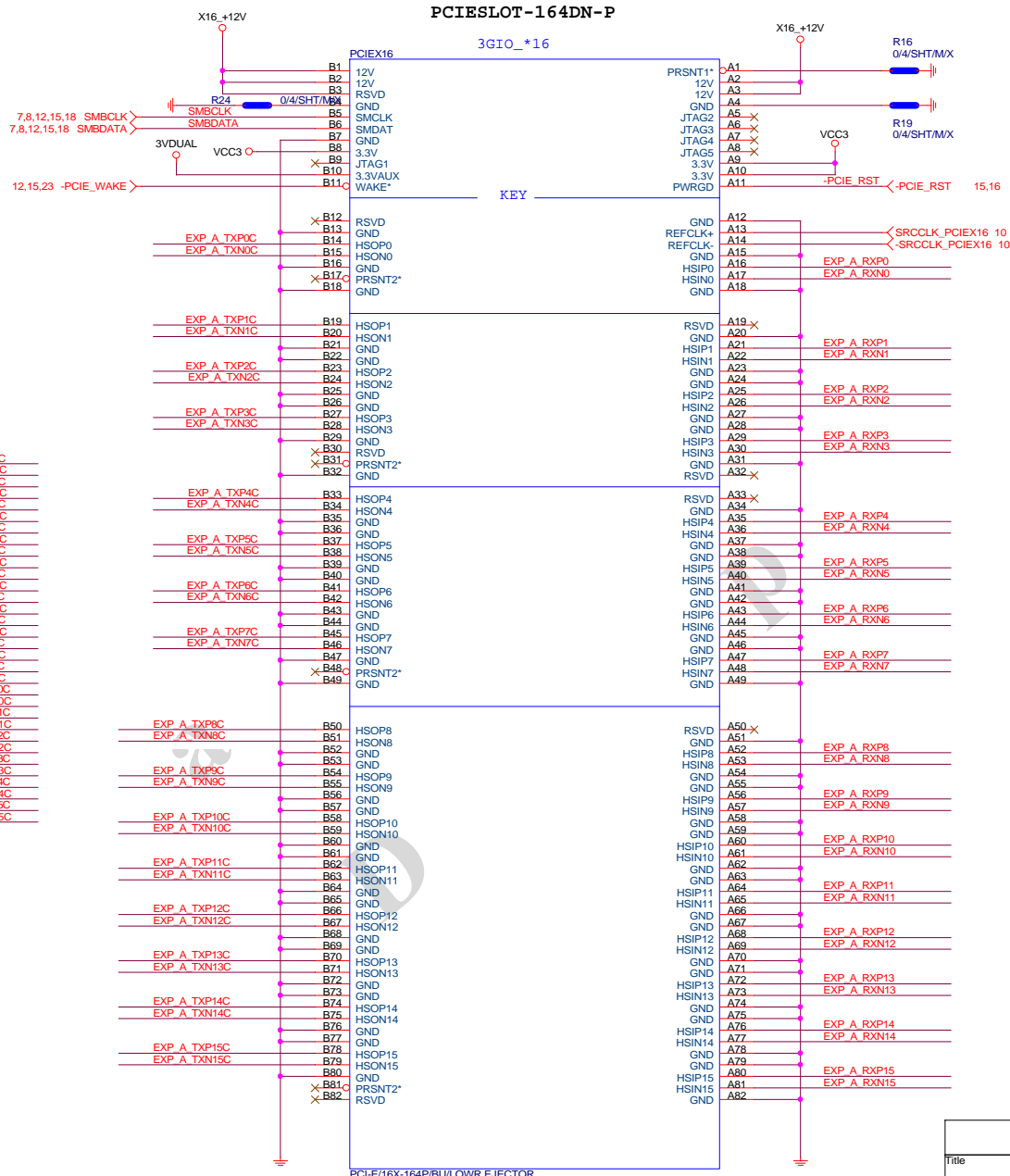






EXP\_A\_RXP[0..15] >>> EXP\_A\_RXP[0..15] 4  
 EXP\_A\_RXN[0..15] >>> EXP\_A\_RXN[0..15] 4  
 EXP\_A\_TXP[0..15] >>> EXP\_A\_TXP[0..15] 4  
 EXP\_A\_TXN[0..15] >>> EXP\_A\_TXN[0..15] 4

|             |     |                   |              |
|-------------|-----|-------------------|--------------|
| EXP_A_TXP0  | C22 | 0.22u/4X5R/6.3V/K | EXP_A_TXP0C  |
| EXP_A_TXN0  | C26 | 0.22u/4X5R/6.3V/K | EXP_A_TXN0C  |
| EXP_A_TXP1  | C29 | 0.22u/4X5R/6.3V/K | EXP_A_TXP1C  |
| EXP_A_TXN1  | C31 | 0.22u/4X5R/6.3V/K | EXP_A_TXN1C  |
| EXP_A_TXP2  | C33 | 0.22u/4X5R/6.3V/K | EXP_A_TXP2C  |
| EXP_A_TXN2  | C35 | 0.22u/4X5R/6.3V/K | EXP_A_TXN2C  |
| EXP_A_TXP3  | C37 | 0.22u/4X5R/6.3V/K | EXP_A_TXP3C  |
| EXP_A_TXN3  | C40 | 0.22u/4X5R/6.3V/K | EXP_A_TXN3C  |
| EXP_A_TXP4  | C48 | 0.22u/4X5R/6.3V/K | EXP_A_TXP4C  |
| EXP_A_TXN4  | C49 | 0.22u/4X5R/6.3V/K | EXP_A_TXN4C  |
| EXP_A_TXP5  | C52 | 0.22u/4X5R/6.3V/K | EXP_A_TXP5C  |
| EXP_A_TXN5  | C54 | 0.22u/4X5R/6.3V/K | EXP_A_TXN5C  |
| EXP_A_TXP6  | C56 | 0.22u/4X5R/6.3V/K | EXP_A_TXP6C  |
| EXP_A_TXN6  | C58 | 0.22u/4X5R/6.3V/K | EXP_A_TXN6C  |
| EXP_A_TXP7  | C60 | 0.22u/4X5R/6.3V/K | EXP_A_TXP7C  |
| EXP_A_TXN7  | C61 | 0.22u/4X5R/6.3V/K | EXP_A_TXN7C  |
| EXP_A_TXP8  | C63 | 0.22u/4X5R/6.3V/K | EXP_A_TXP8C  |
| EXP_A_TXN8  | C64 | 0.22u/4X5R/6.3V/K | EXP_A_TXN8C  |
| EXP_A_TXP9  | C66 | 0.22u/4X5R/6.3V/K | EXP_A_TXP9C  |
| EXP_A_TXN9  | C67 | 0.22u/4X5R/6.3V/K | EXP_A_TXN9C  |
| EXP_A_TXP10 | C69 | 0.22u/4X5R/6.3V/K | EXP_A_TXP10C |
| EXP_A_TXN10 | C70 | 0.22u/4X5R/6.3V/K | EXP_A_TXN10C |
| EXP_A_TXP11 | C71 | 0.22u/4X5R/6.3V/K | EXP_A_TXP11C |
| EXP_A_TXN11 | C72 | 0.22u/4X5R/6.3V/K | EXP_A_TXN11C |
| EXP_A_TXP12 | C74 | 0.22u/4X5R/6.3V/K | EXP_A_TXP12C |
| EXP_A_TXN12 | C75 | 0.22u/4X5R/6.3V/K | EXP_A_TXN12C |
| EXP_A_TXP13 | C77 | 0.22u/4X5R/6.3V/K | EXP_A_TXP13C |
| EXP_A_TXN13 | C78 | 0.22u/4X5R/6.3V/K | EXP_A_TXN13C |
| EXP_A_TXP14 | C79 | 0.22u/4X5R/6.3V/K | EXP_A_TXP14C |
| EXP_A_TXN14 | C80 | 0.22u/4X5R/6.3V/K | EXP_A_TXN14C |
| EXP_A_TXP15 | C82 | 0.22u/4X5R/6.3V/K | EXP_A_TXP15C |
| EXP_A_TXN15 | C83 | 0.22u/4X5R/6.3V/K | EXP_A_TXN15C |



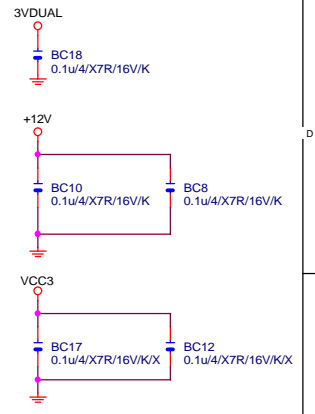
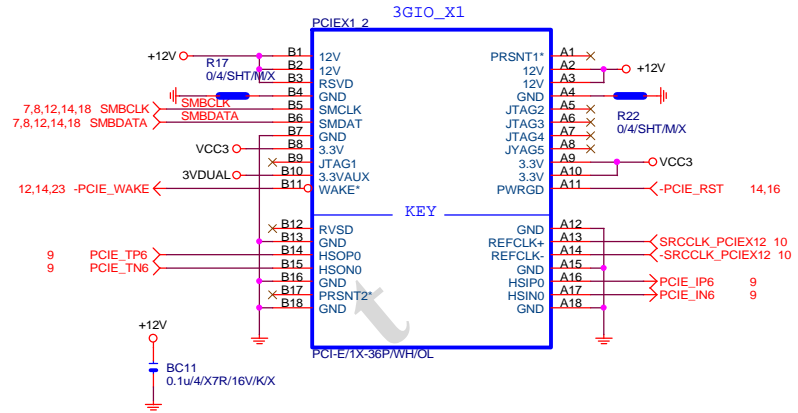
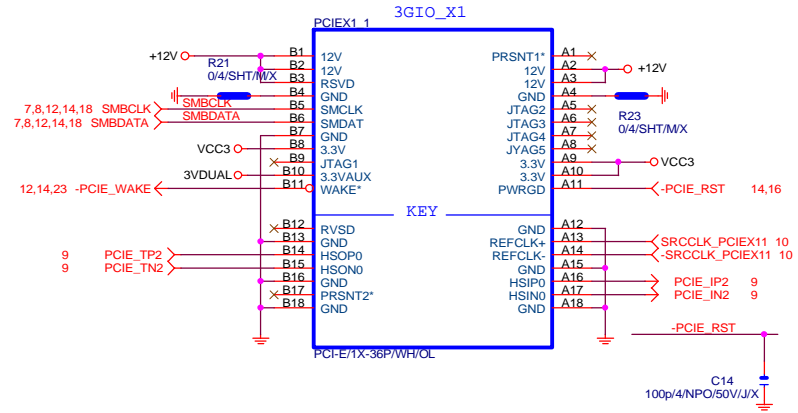
**Gigabyte Technology**

|        |                              |                  |          |
|--------|------------------------------|------------------|----------|
| Title  |                              | PCI EXPRESS * 16 |          |
| Size   | Document Number              | GA-H61M-DS2      |          |
| Custom |                              | Rev 2.01         |          |
| Date:  | Wednesday, November 30, 2011 | Sheet            | 14 of 30 |

PCIE/16X-164P/BU/LOWR EJECTOR



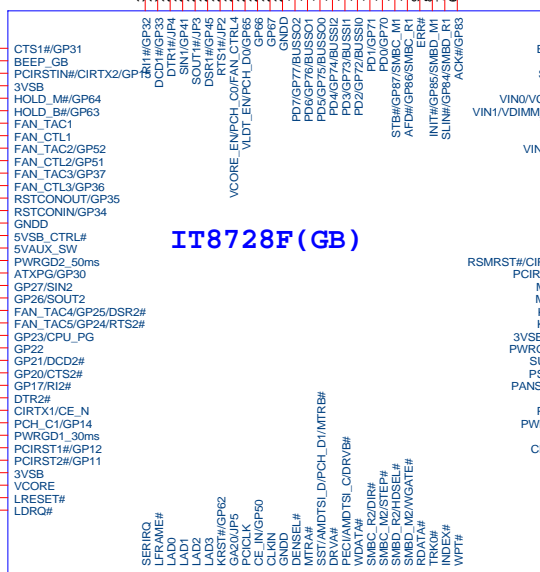
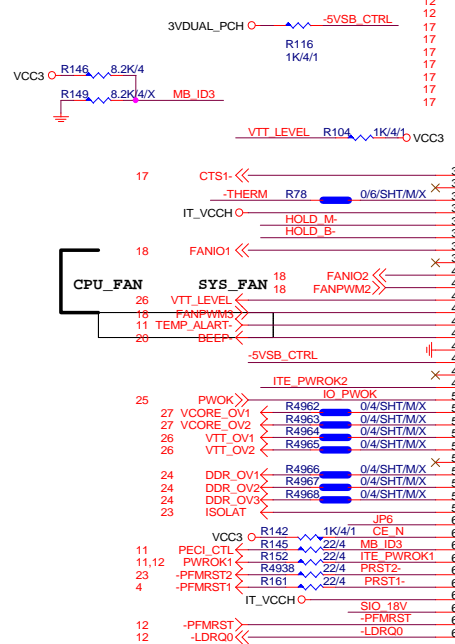
**PCIE\*1**



**CLK GEN**

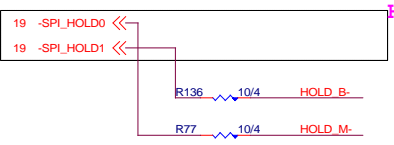
|                            |                              |                    |                 |
|----------------------------|------------------------------|--------------------|-----------------|
| <b>Gigabyte Technology</b> |                              |                    |                 |
| <b>PCIEX1,X2/CLK GEN</b>   |                              |                    |                 |
| Size Custom                | Document Number              | <b>GA-H61M-DS2</b> | Rev <b>2.01</b> |
| Date:                      | Wednesday, November 30, 2011 | Sheet 15 of 30     |                 |

GP22 Default GP22 DIOD8  
 GP23 Default CPU\_PG DOD8

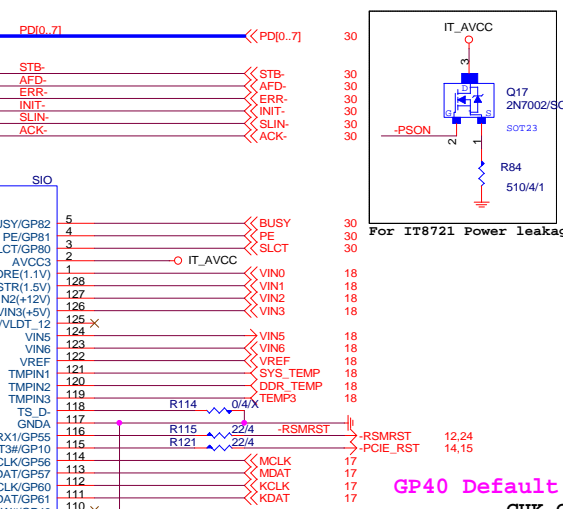


**IT8728F (GB)**

| IT8728 |                           |
|--------|---------------------------|
| PIN121 | VCORE_EN/PCH_C0           |
| PIN120 | VLDT_EN/PCH_D0            |
| PIN19  | ATXPG                     |
| PIN31  | PCH_C1                    |
| PIN53  | SST/AMDTSI_D/MIRB#/PCH_DI |
| PIN55  | PECI/AMDTSI_C/DRV#        |
| PIN66  | SYS_3VSB                  |
| PIN70  | GP47                      |
| PIN95  | VIN2(VCC5)                |
| PIN96  | VIN1(VCC12)               |
| PIN97  | VIN1/VDIMM_STR(1.5V)      |
| PIN98  | VIN0/VCORE(1.1V)/NC       |



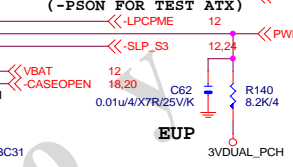
**H61M-DS2 R0.2**



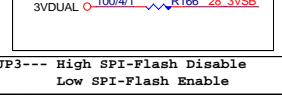
**For IT8721 Power leakage**

**GP40 Default 3VBSW# D08**

**CHK GPIO53**



**EUP control by PCH**



3VDDUAL\_PCH 0/100/4/1 R166 28 3VSB

JP3--- High SPI-Flash Disable  
 Low SPI-Flash Enable

**H61M-S2 1.1 JP6 stuff pull down**

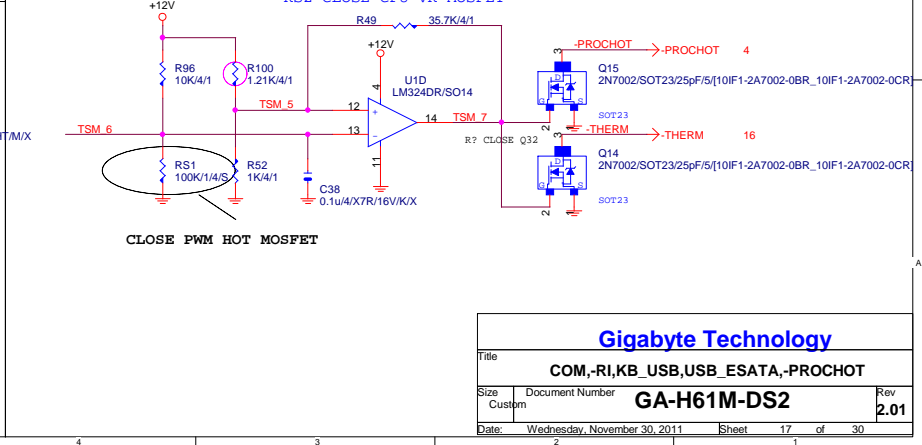
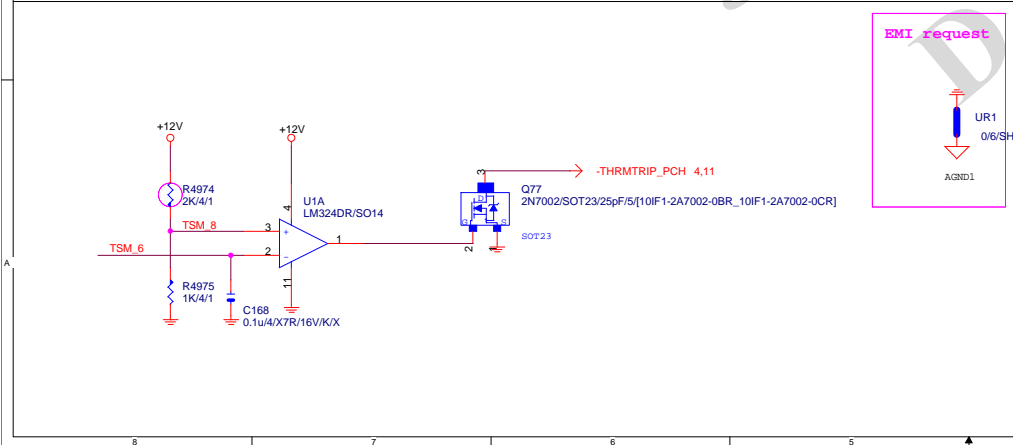
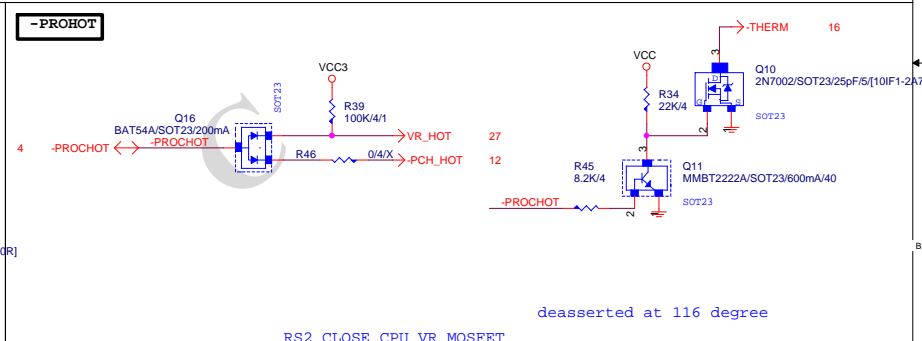
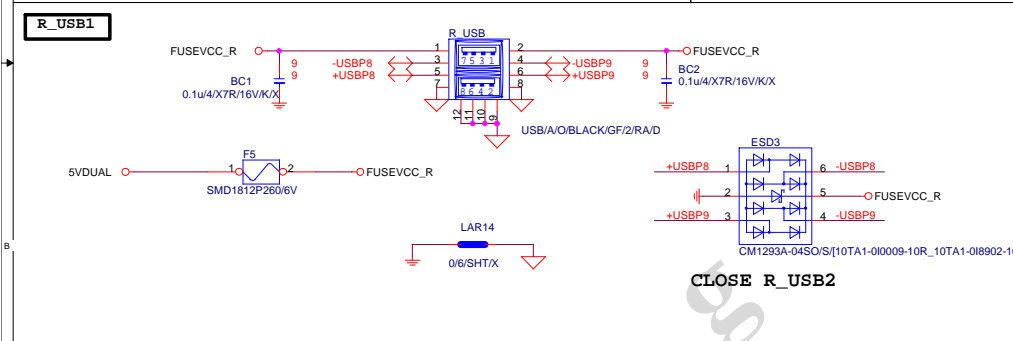
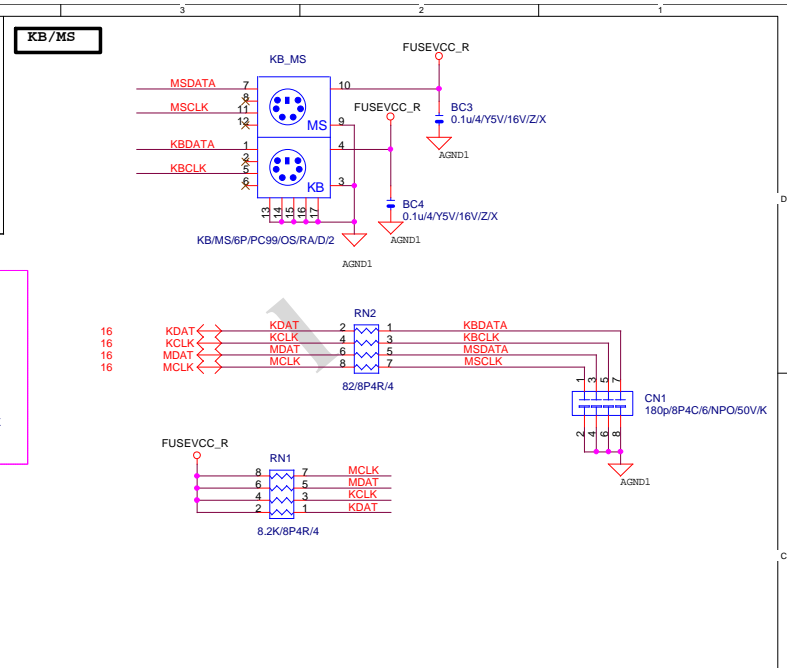
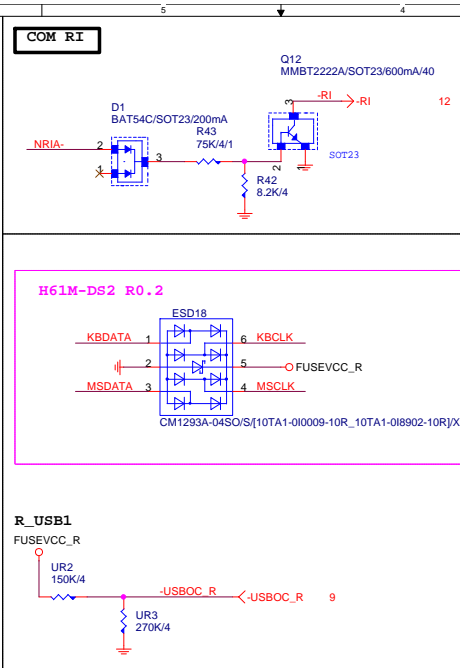
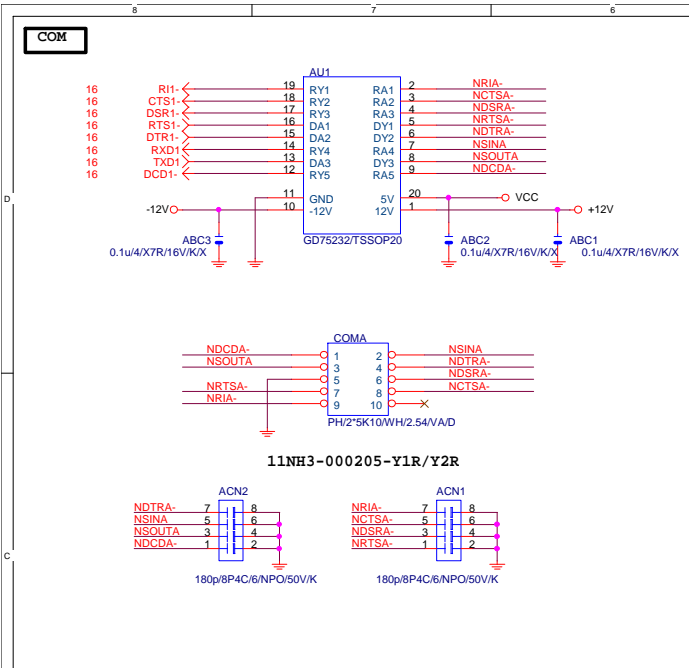


**Gigabyte Technology**

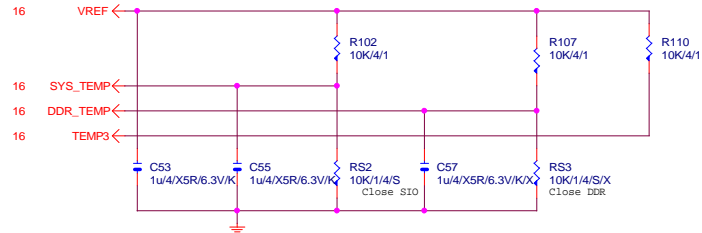
Title: **ITE 8728 LPC IO**

Size B Document Number: **GA-H61M-DS2** Rev **2.01**

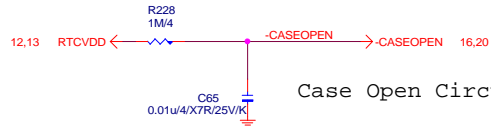
Date: Wednesday, November 30, 2011 Sheet 16 of 30



**TEMP H/W MONITOR**



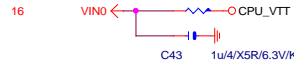
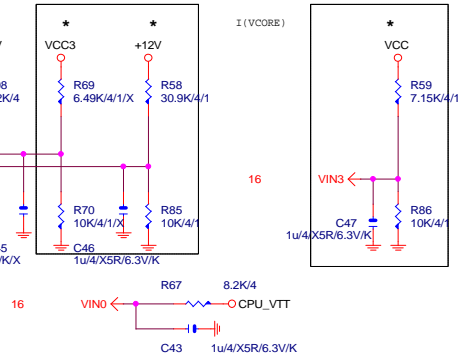
**CASE OPEN**



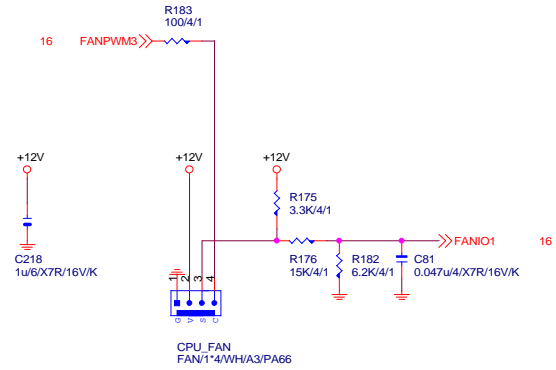
Case Open Circuits

**VOLTAGE-- H/W MONITOR**

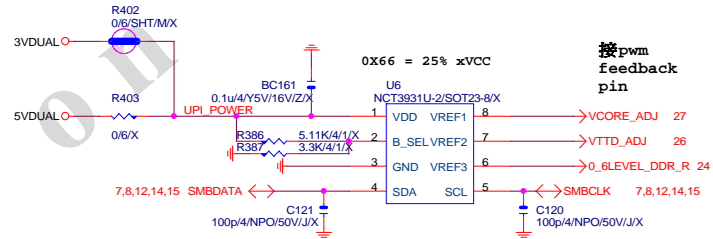
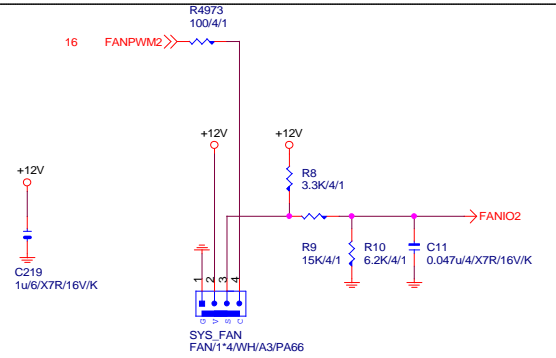
I (VAXG)



**CPU SMART FAN**



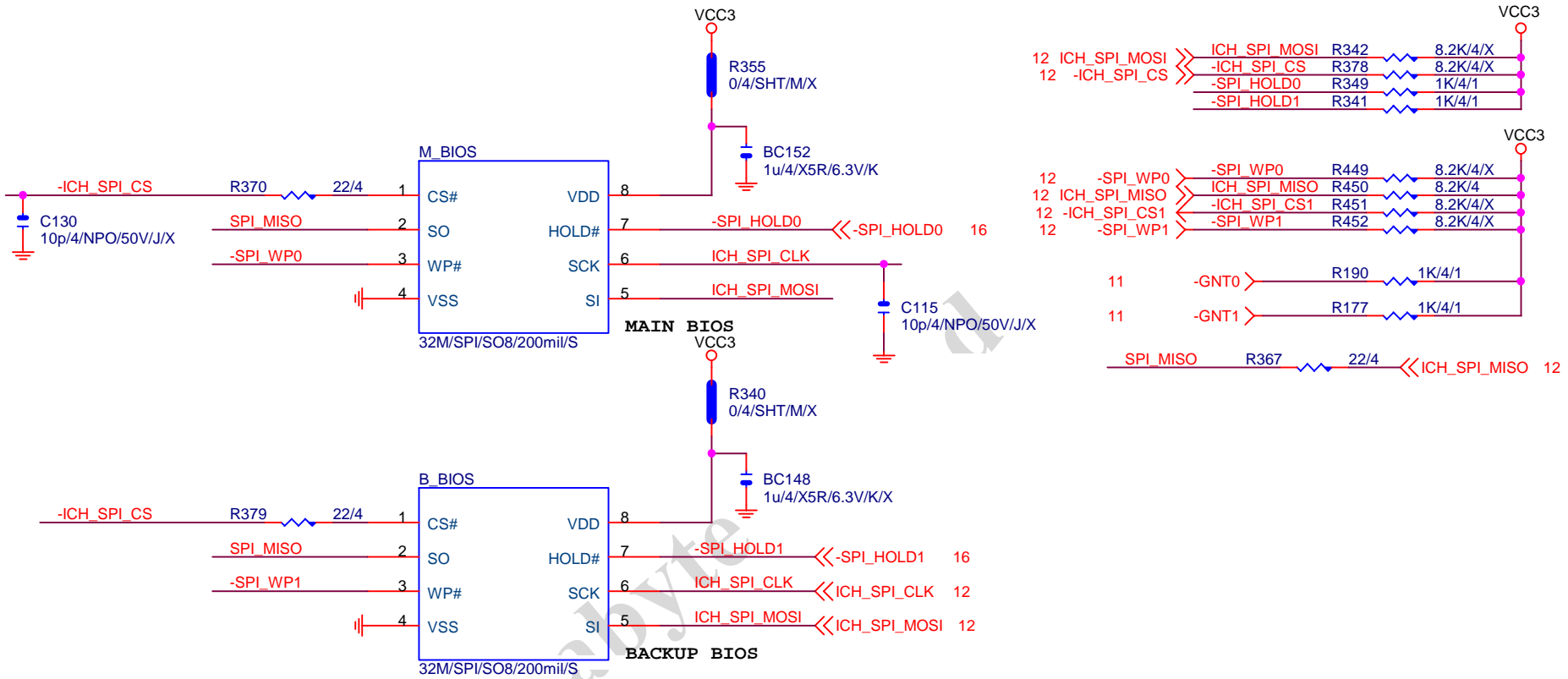
**SYS SMART FAN**



**Gigabyte Technology**

|        |                              |             |                 |
|--------|------------------------------|-------------|-----------------|
| Title  |                              |             | HWM,FAN CTRL_OV |
| Size   | Document Number              | GA-H61M-DS2 |                 |
| Custom |                              | Rev         | 2.01            |
| Date:  | Wednesday, November 30, 2011 | Sheet       | 18 of 30        |

# DUAL BIOS



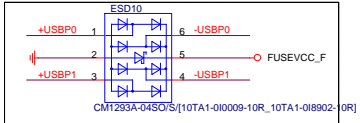
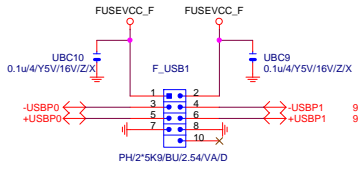
| BOOT DEVICE | GNT1 | GNT0 |
|-------------|------|------|
| LPC         | 0    | 0    |
| PCI         | 0    | 1    |
| SPI         | 1    | 1    |

1 means floating  
0 means PD 1K

**Gigabyte Technology**

|                  |                              |                |
|------------------|------------------------------|----------------|
| Title            |                              |                |
| <b>DUAL BIOS</b> |                              |                |
| Size A           | Document Number              | Rev            |
|                  | <b>GA-H61M-DS2</b>           | <b>2.01</b>    |
| Date:            | Wednesday, November 30, 2011 | Sheet 19 of 30 |

**FRONT USB1**



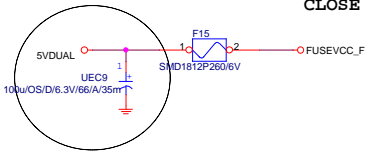
Close to connector

change to BLUE COLOR

**SATA LED**

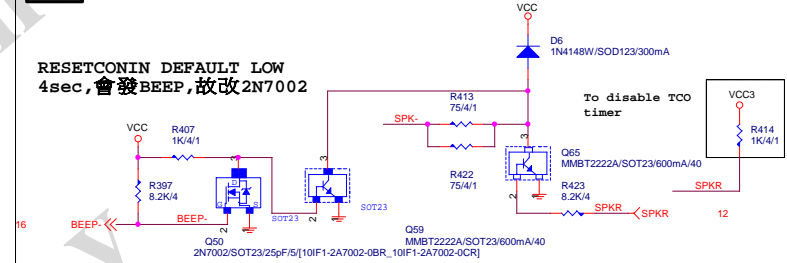


**CLOSE F\_USB1**

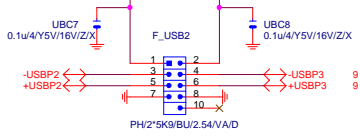


**SPKR**

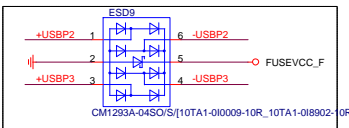
RESETCONIN DEFAULT LOW  
4sec, 會發BEEP, 故改2N7002



**FRONT USB2**

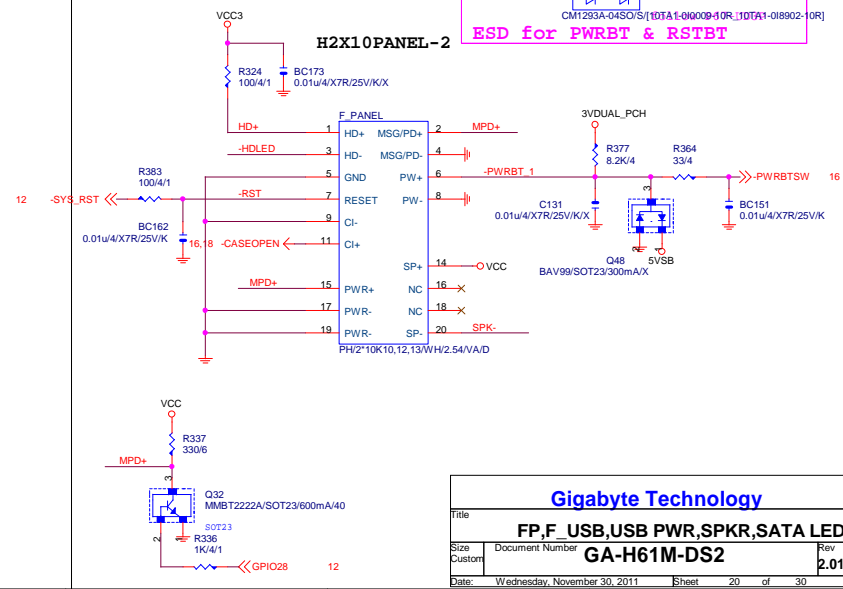
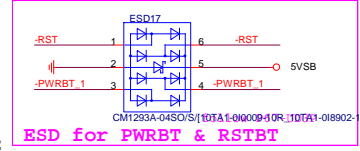


**FRONT USB3**



Close to connector

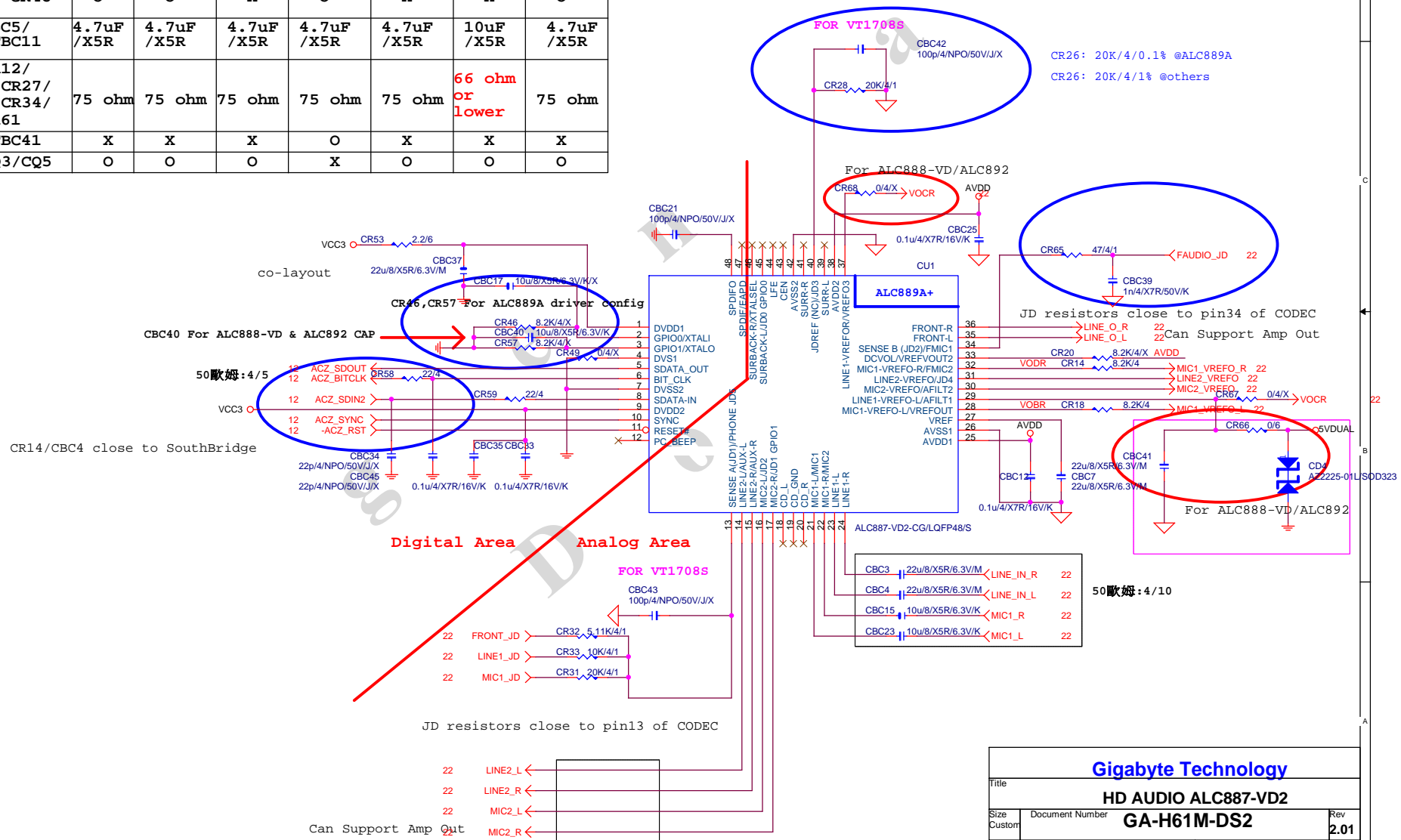
**INTEL FRONT PANEL**



|                     |                                |                |
|---------------------|--------------------------------|----------------|
| Gigabyte Technology |                                |                |
| File                | FP,F_USB,USB PWR,SPKR,SATA LED |                |
| Size                | Document Number                | Rev            |
| Custort             | GA-H61M-DS2                    | 0.01           |
| Date:               | Wednesday, November 30, 2011   | Sheet 20 of 30 |



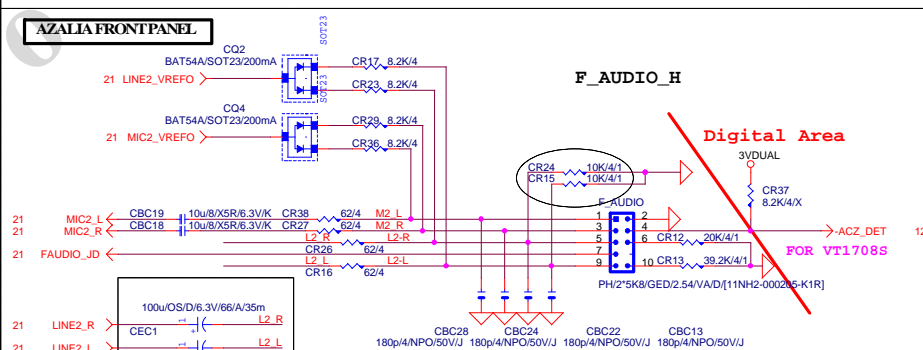
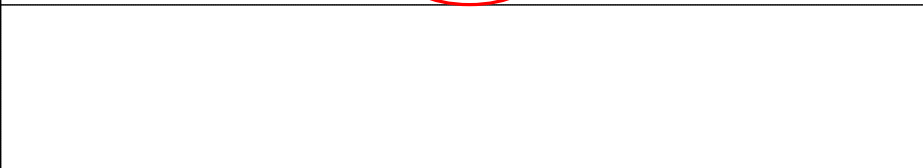
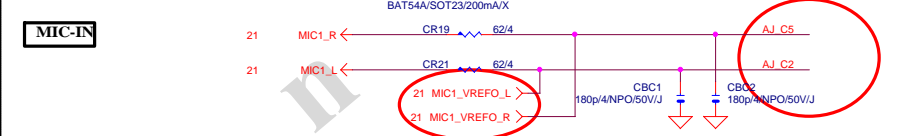
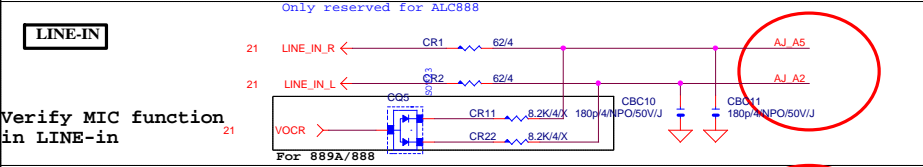
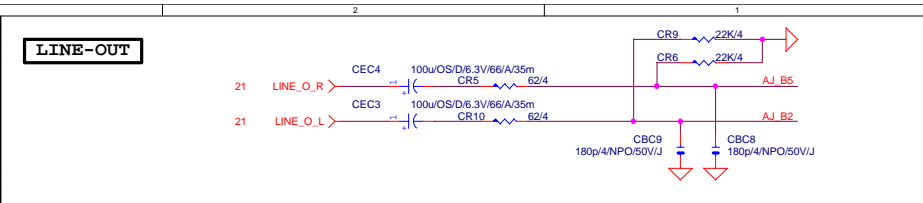
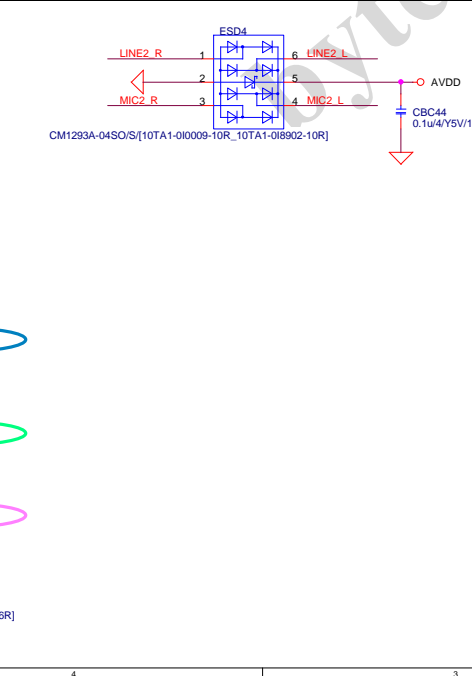
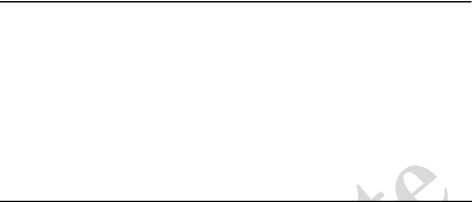
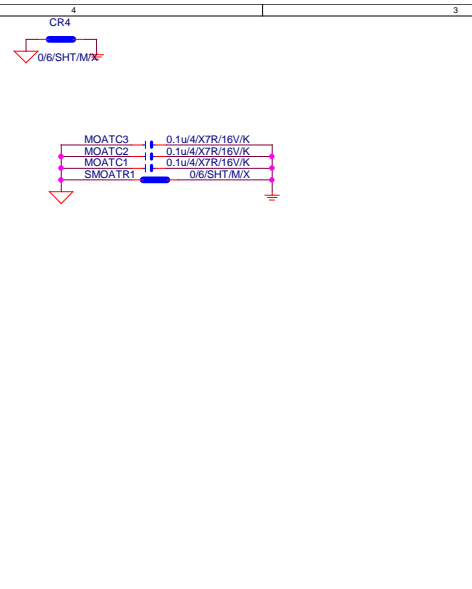
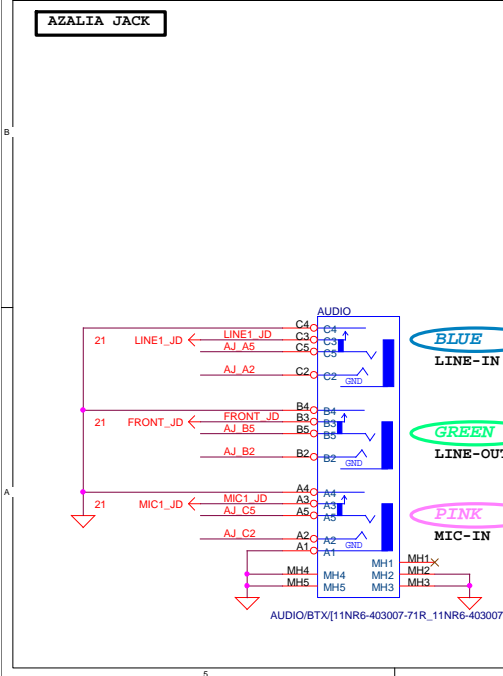
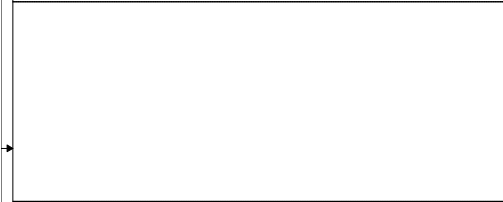
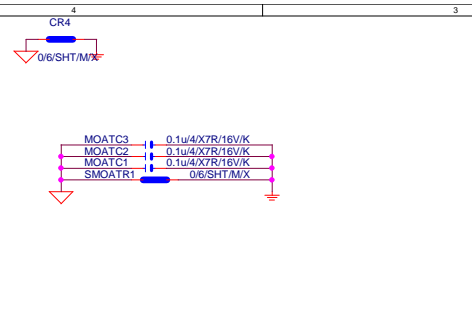
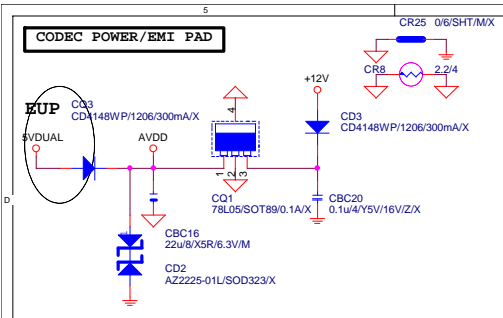
|   | ALC883        | ALC888-VA     | ALC888B       | ALC888-VD     | ALC892R       | ALC889                | ALC889A       |
|---|---------------|---------------|---------------|---------------|---------------|-----------------------|---------------|
| CR46  | X             | X             | X             | X             | X             | X                     | O             |
| CR57  | X             | X             | X             | X             | X             | X                     | O             |
| CR49  | O             | O             | X             | X             | X             | O                     | O             |
| CBC40   | X             | X             | X             | 10uF/X5R      | 10uF/X5R      | X                     | X             |
| CR20  | O             | X             | X             | X             | X             | X                     | X             |
| CR26  | 20K/1%        | 20K/1%        | 20K/1%        | 20K/1%        | 20K/1%        | 20K/1%                | 20K/0.1%      |
| CR47  | X             | X             | O             | X             | O             | O                     | X             |
| CR48  | O             | O             | X             | O             | X             | X                     | O             |
| CBC2/CBC4/CBC5/<br>CBC6/CBC10/CBC11   | 4.7uF<br>/X5R | 4.7uF<br>/X5R | 4.7uF<br>/X5R | 4.7uF<br>/X5R | 4.7uF<br>/X5R | 10uF<br>/X5R          | 4.7uF<br>/X5R |
| CR1/CR3/CR10/CR12/<br>CR15/CR19/CR56/CR27/<br>CR55/CR37/CR28/CR34/<br>CR6/CR9/CR51/CR61 | 75 ohm        | 75 ohm        | 75 ohm        | 75 ohm        | 75 ohm        | 66 ohm<br>or<br>lower | 75 ohm        |
| CR66/CR68/CD3/CBC41   | X             | X             | X             | O             | X             | X                     | X             |
| CR67/CD1/CD2/CQ3/CQ5  | O             | O             | O             | X             | O             | O                     | O             |



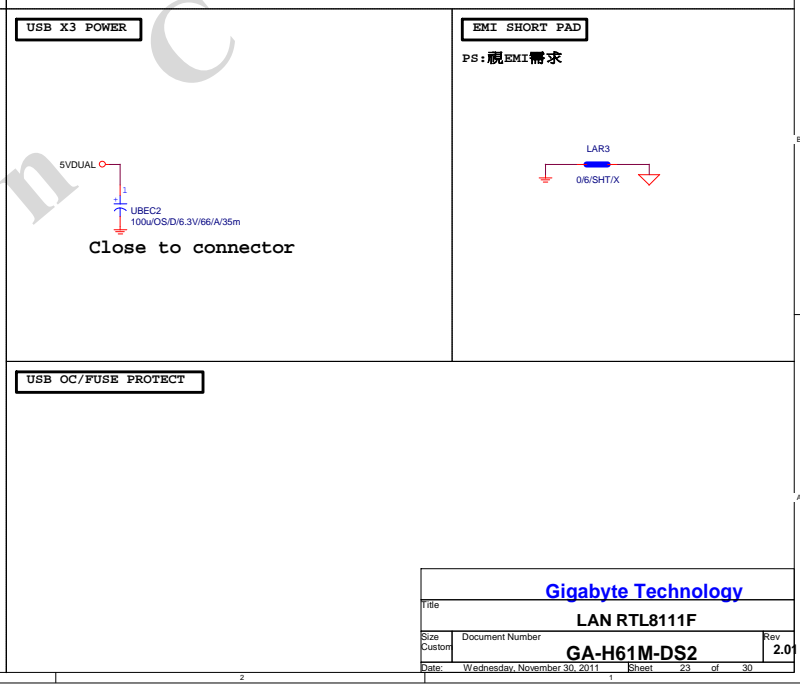
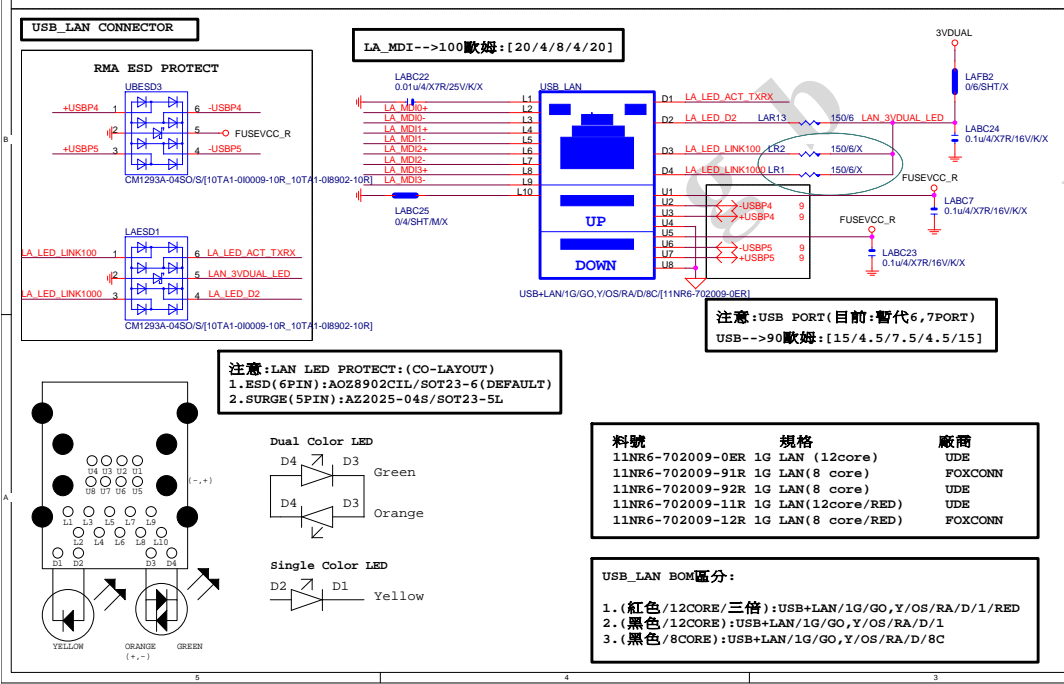
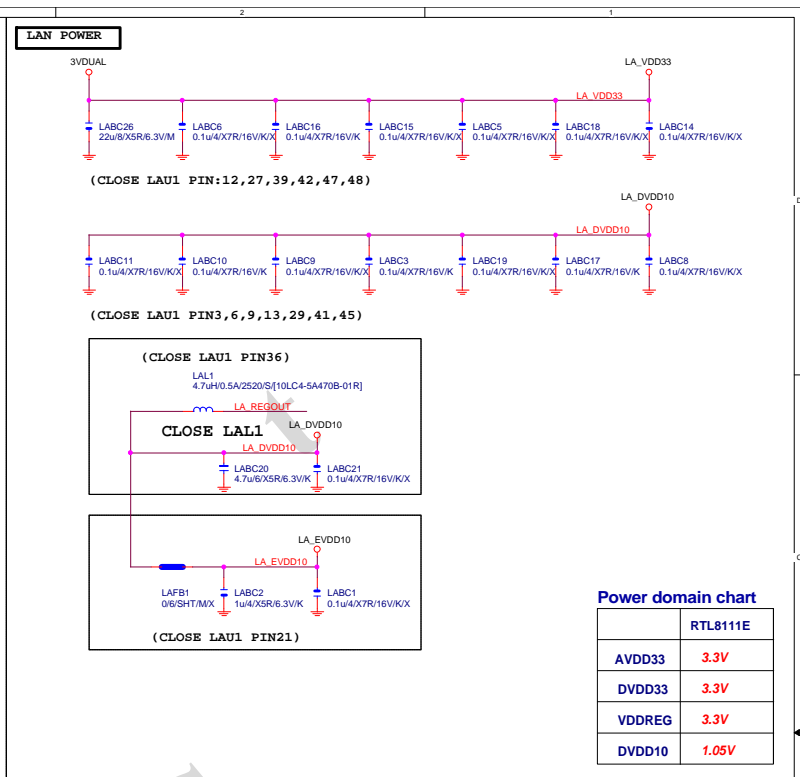
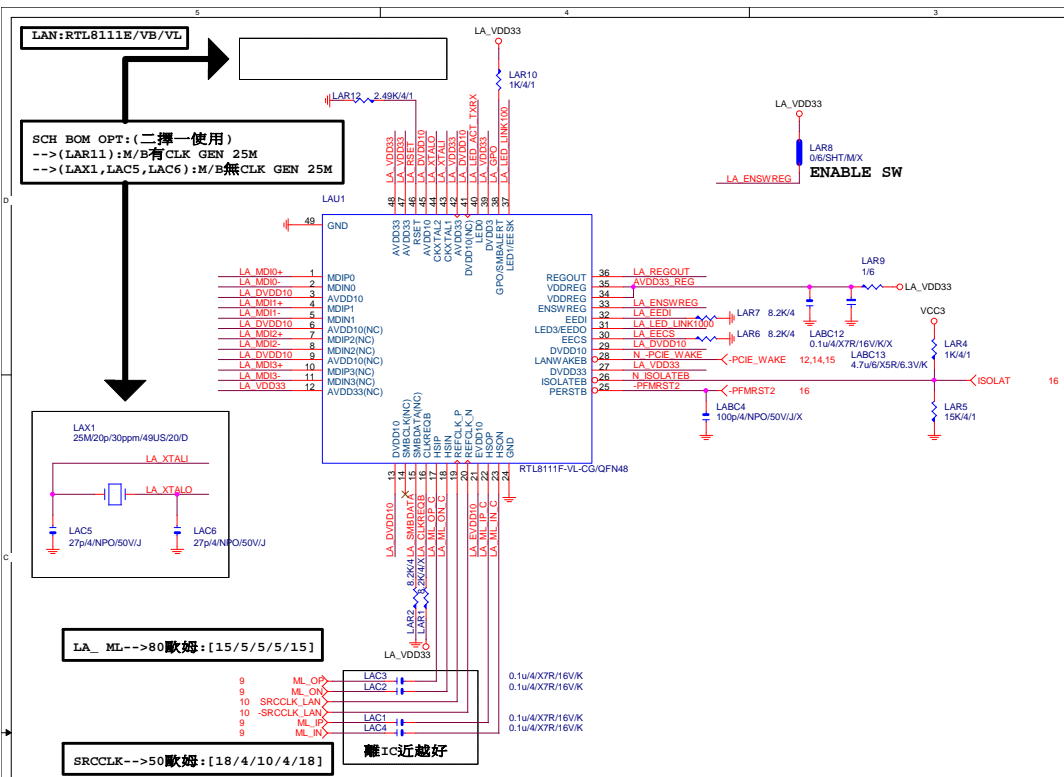
**Gigabyte Technology**

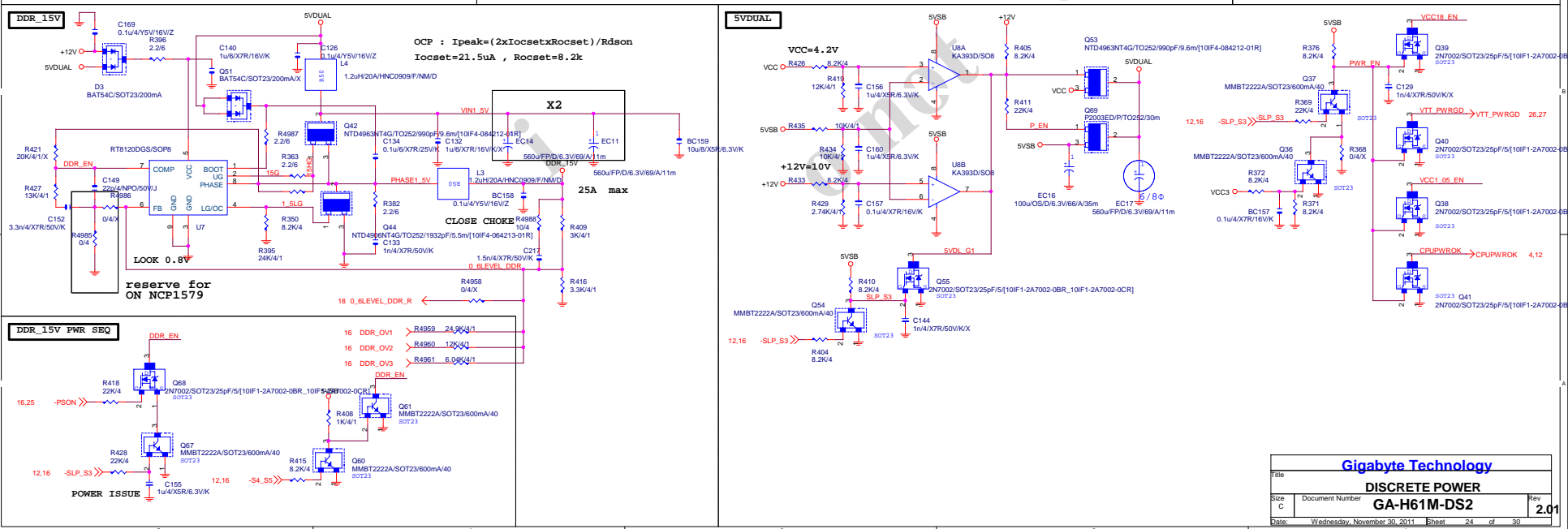
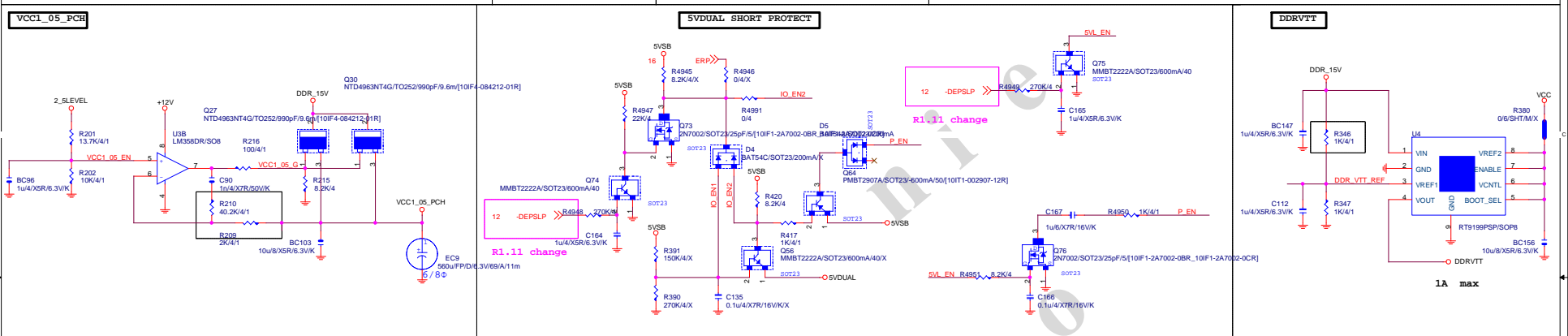
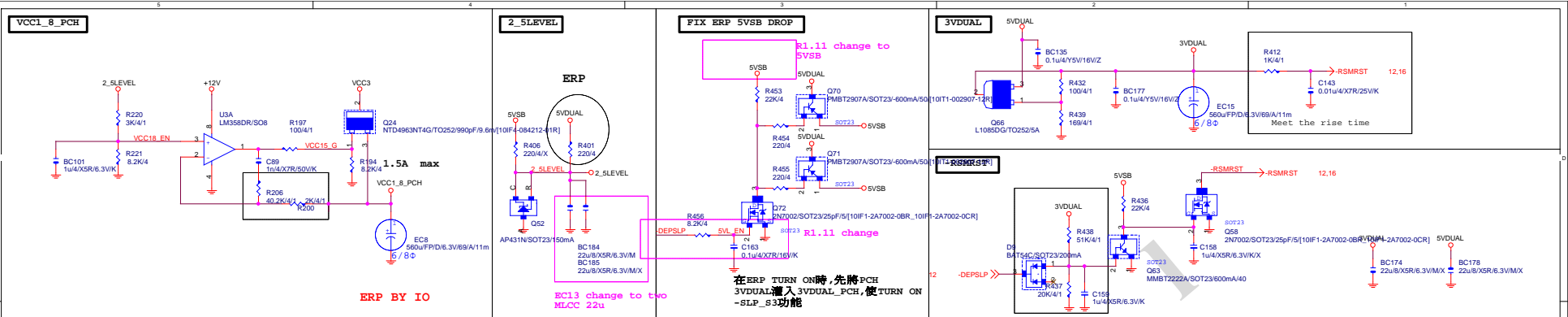
**HD AUDIO ALC887-VD2**

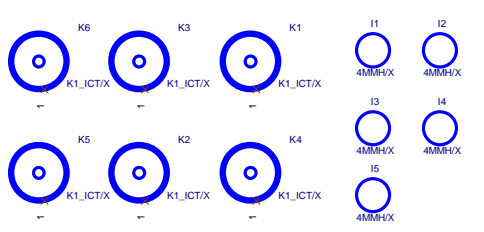
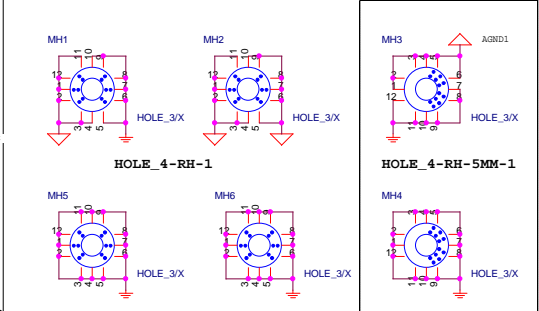
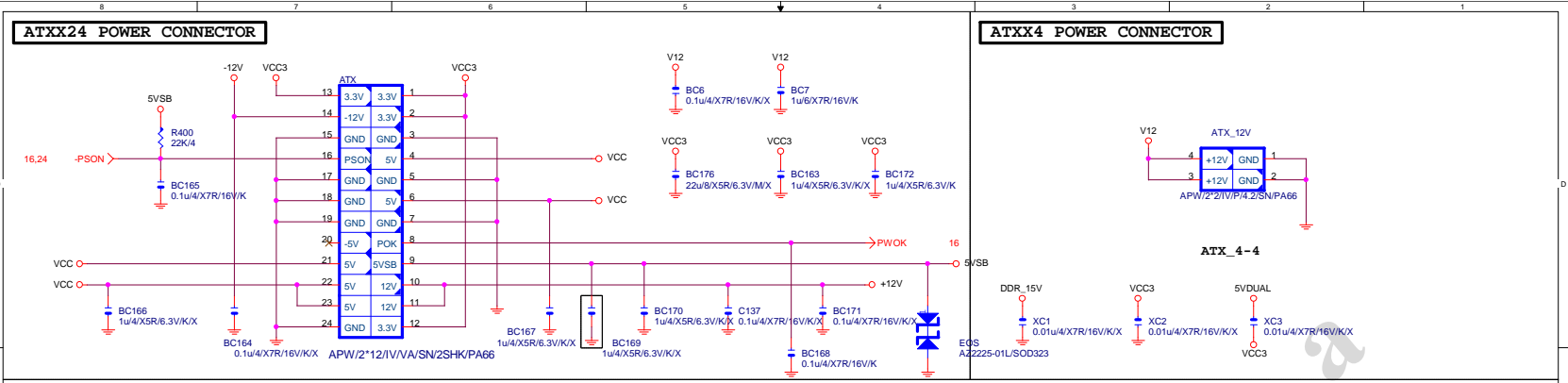
|        |                              |                     |          |
|--------|------------------------------|---------------------|----------|
| Title  |                              | HD AUDIO ALC887-VD2 |          |
| Size   | Document Number              | GA-H61M-DS2         |          |
| Custom |                              | Rev 2.01            |          |
| Date:  | Wednesday, November 30, 2011 | Sheet               | 21 of 30 |



|                     |                              |                |
|---------------------|------------------------------|----------------|
| Gigabyte Technology |                              |                |
| AUDIO JACK          |                              |                |
| GA-H61M-DS2         |                              |                |
| Title               | Document Number              | Rev            |
| Size                | Wednesday, November 30, 2011 | 2.01           |
| Custom              | Sheet                        | 22 of 30       |
| Date:               | Wednesday, November 30, 2011 | Sheet 22 of 30 |





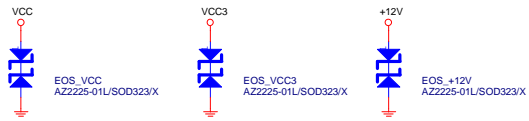


To prevent the 5VSB under loading when boot

5VDUAL1(USB PORT/DDRIII POWER)  
5VDUAL ( 3VDUAL/OTHER)

--S\_WARN-->5VDUAL1-->--S\_ACK (PCH) -->--DEPSLP / --RSMRST-->5VDUAL-->3VDUAL

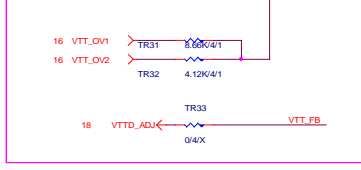
HOLE\_4-RH-5MM-1



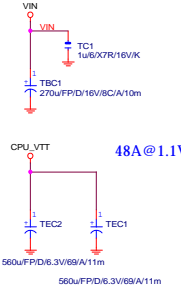
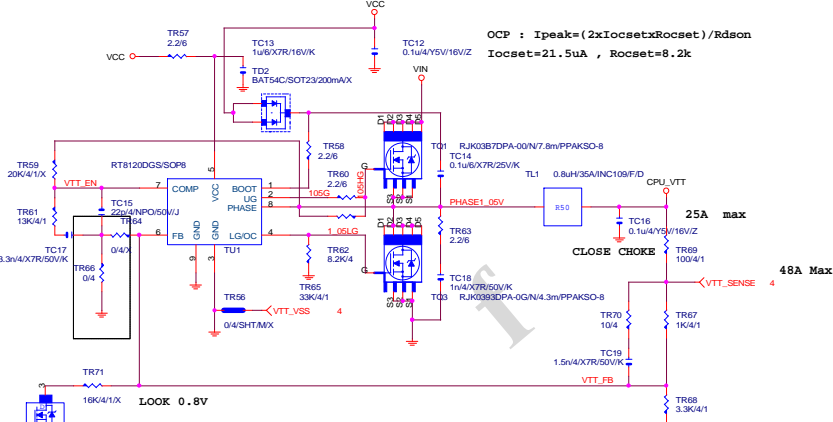
|                            |                              |                |
|----------------------------|------------------------------|----------------|
| <b>Gigabyte Technology</b> |                              |                |
| File                       |                              |                |
| <b>ATX CONNECTOR</b>       |                              |                |
| Size                       | Document Number              | Rev            |
| Custom                     | <b>GA-H61M-DS2</b>           | <b>2.01</b>    |
| Date:                      | Wednesday, November 30, 2011 | Sheet 25 of 30 |

**CPU\_VTT**

**VTT OV option**



| VTT_EN |         |
|--------|---------|
| HI     | ENABLE  |
| LO     | DISABLE |

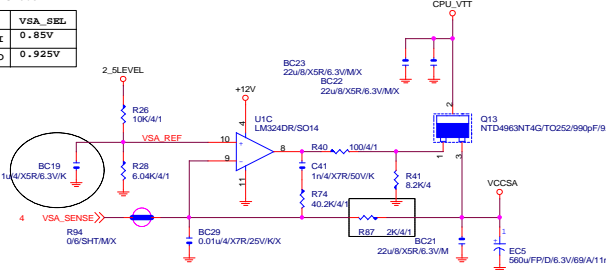


VTT\_LEVEL 16  
 By 021 to Infineon #108 the default CPU\_VTT is 1.05/1.1V

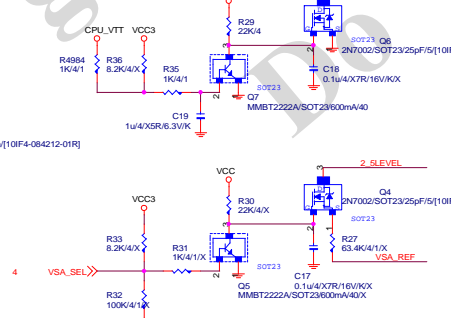
**VCCSA**

PDG 0.8

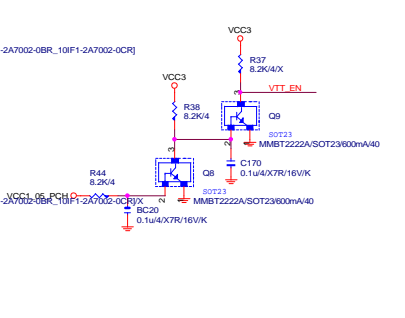
| VSA_SEL |        |
|---------|--------|
| HI      | 0.85V  |
| LO      | 0.925V |



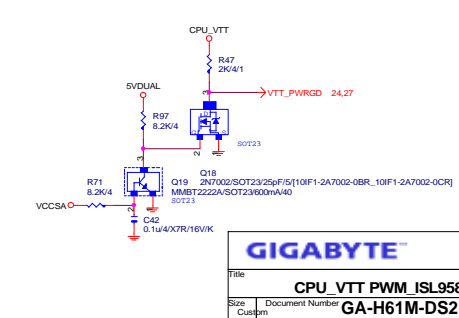
**VCCSA\_PWR\_SEQ**



**CPU\_VTT\_PWR\_SEQ**



**VTT\_PWRGD**

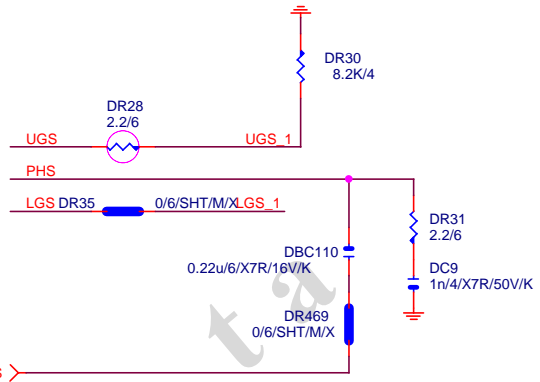
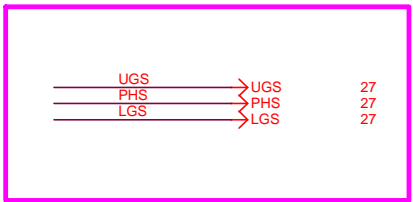


|                         |   |      |
|-------------------------|---|------|
| Title                   |   |      |
| CPU_VTT PWM_ISL95870CRZ |   |      |
| Size                    | Document Number                             | Rev  |
| 1                       | GA-H61M-DS2                                 | 2.01 |
| Date                    | Wednesday, November 30, 2011 Sheet 26 of 30 |      |

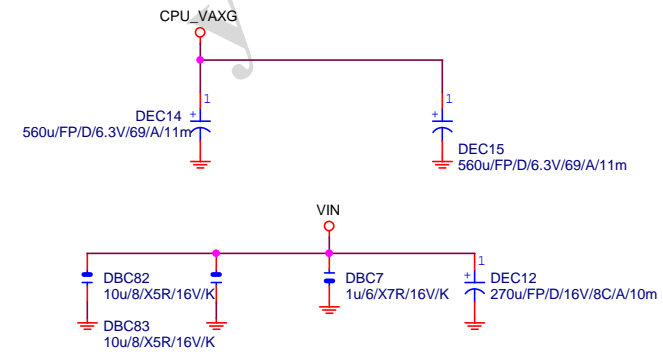
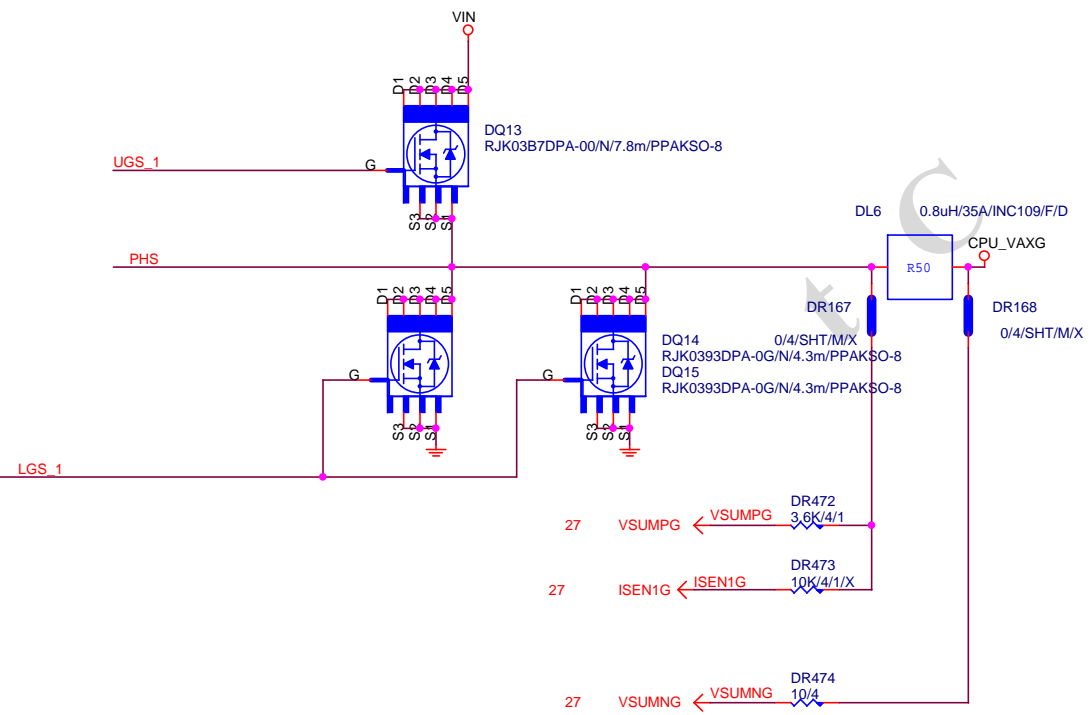




**VAXG**



27 BTS



|                                    |                                       |                    |
|------------------------------------|---------------------------------------|--------------------|
| <b>Gigabyte Technology</b>         |                                       |                    |
| Title<br><b>CPU CORE VR-2</b>      |                                       |                    |
| Size<br>Custom                     | Document Number<br><b>GA-H61M-DS2</b> | Rev<br><b>2.01</b> |
| Date: Wednesday, November 30, 2011 | Sheet 28 of 30                        |                    |

