


GIGABYTE GA-8ID533 Schematics

Revision 1.1

SHEET	TITLE
01	COVER SHEET
02	BOM & PCB MODIFY HISTORY
03	WILLIAMATE_478A
04	WILLIAMATE_478B
05	WILLIAMATE_478C
06	MCH-BROOKDALE-E_A
07	MCH-BROOKDALE-E_B
08	MCH-BROOKDALE-E_C
09	MD0~63
10	DDR1~2
11	DDR-TERM
12	AGP
13	ICH4_1
14	ICH4_2
15	FWH (SINGLE BIOS)
16	ICS950223 CLOCK GEN
17	PCI1_2
18	PCI3_4
19	PCI5
20	ITE LPC I/O
21	IDE
22	KB_PS2

SHEET	TITLE
23	COM_LPT_FDD
24	F-USB1
25	FPANEL
26	CODEC
27	AUDIO_GAMEPORT
28	AUDIO_LINE-OUT
29	DDR POWER
30	POWER1
31	POWER2
32	LAN RTL8100B & B-USB CONNECTOR
33	GPIO LIST
34	PCI ROUT LIST
35	
36	
37	
38	
39	
40	
41	
42	
PCB	

		COMPONENT SIDE (0.5 oz. VCC (1 oz. GPREZ) SIDE (1 oz. GPREZ) GORDER SIDE SIDE (0.5 oz. Copper)
GIGABYTE Copper)		
Title COVER SHEET		
Size Document Number Custom	GA-8ID533	Rev 1.1
Date: Wednesday, November 13, 2002	Sheet of 34	

Model Name: 8ID533

Version:

91/05/02

BOM 修改 History

BOM 版本	修改項目內容	修改原因
0.1-0502	9M8IR-00-10A --> 9M8ID-00-01	參考右邊修改內容
1.0A	9M8IDX --> 9M8ID-00-10A	
1.0B-0607	9M8ID-00-01 --> 9M8ID-00-10B	1. 參考右邊修改內容
		2. AUDIO ALC650 --> STAC9721
1.0C-0701	9M8ID-00-10B --> 9M8ID-00-10C	1.FOR SYSTEM SHOWDOWN ISSUE
		R1601 200K --> 240K
1.0A-0718	9M8ID-00-10C --> 9M8ID533-00-10A	PVT
1.1A-0821	9M8ID533-00-10A->9M8ID533-00-11A	1.AUDIO STAC9721 --> ALC201A
		2. CR15 0ohm -->22 ohm
11B-0913	9M8ID533-00-11A --> 9M8ID533-00-11B	1. FOR C-STEPING CPU HANG
		2.PWM HIGT SIDE MOSFET R1597,R1606 2.2 --> 4.7ohm
11C-1017	9M8ID533-00-11B --> 9M8ID533-00-11C	1. 南橋加替料 U61 : ICH2X SL5PN/CO (10HB1-032801-A0)
		1. 北橋加替料 U24 : 82845D SL5YQ/B0 (10HB1-032845-21)
11C-ECN	9M8ID533-00-11C --> 9M8ID533-00-11C	1. REMOVE 北橋替料 U24 : 82845D SL5YQ/B0 (10HB1-032845-21)
11D	9M8ID533-00-11C --> 9M8ID533-00-11D	1. 北橋加替料 U24 : 82845D SL5YQ/B0 (10HB1-032845-21)
		NET ST0 R67 2K REMOVE , ADD R117 6.8K
		2.REMOVE BIOS WINBOND W49V002FAP 2M
11D-1106	9M8ID533-00-11D --> 9M8ID533-00-11D	1.9MK = 3MK + 4MK +5MK

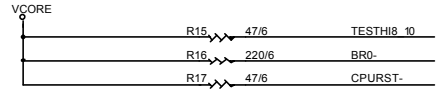
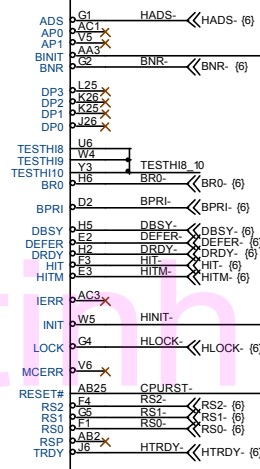
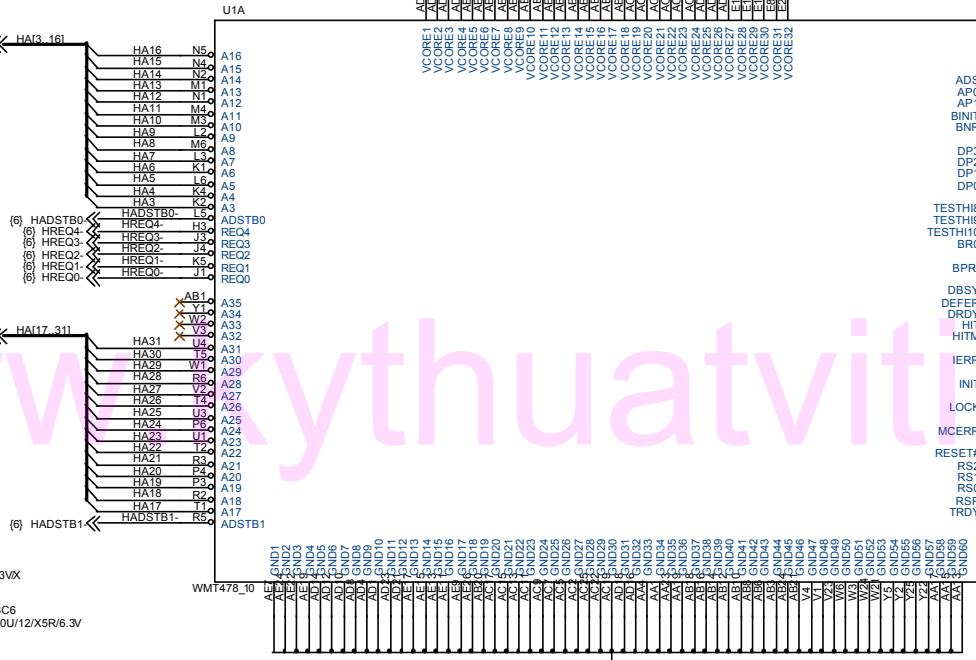
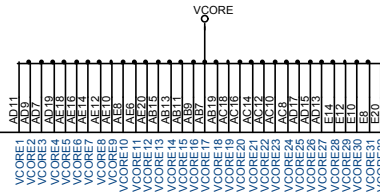
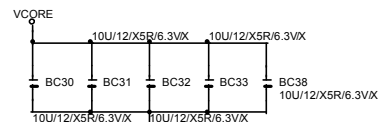
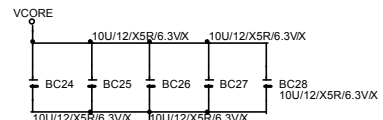
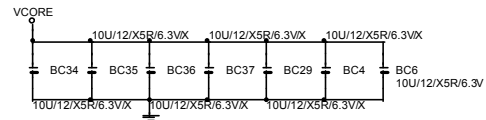
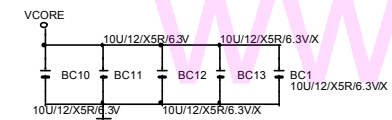
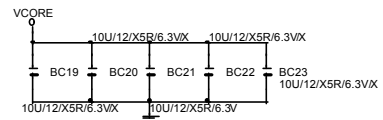
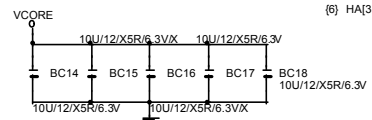
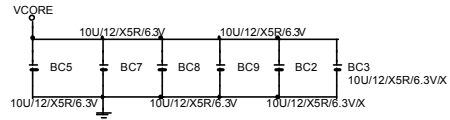
PCB version 變更(線路及Layout Change)Histoty

PCB 版本	修改項目內容	修改原因
0.1	8IR REV1.0 --> 8ID REV0.1	
1.0	8ID REV0.1 --> 8ID REV1.0	1. EMI ADD AC97 PIN9 PULL DOWN 2.2 ohm
		2.EMI ADD LPC24 CLK 10P
1.0	8ID REV0.1 --> 8ID533 REV1.0	1.TEXT 8ID --< 8ID533
1.1	8ID533 REV1.0 --> 8ID533 REV1.1	1.TEXT REV1.0 --> REV1.1

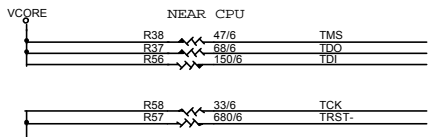
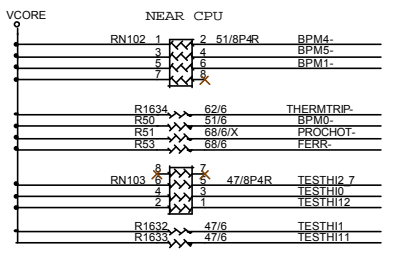
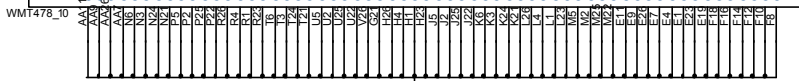
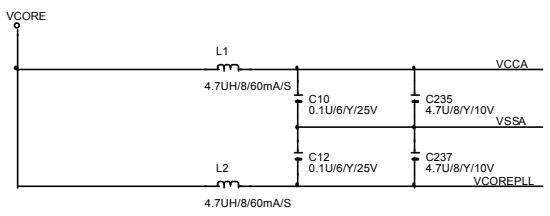
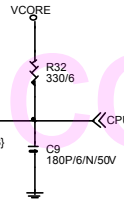
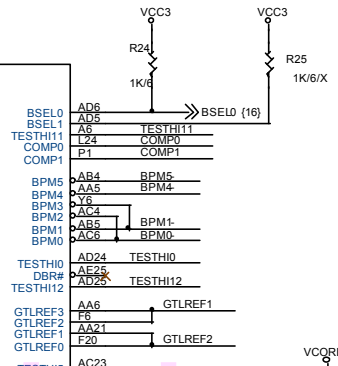
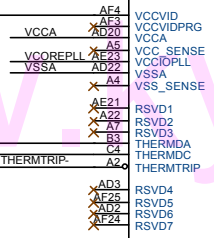
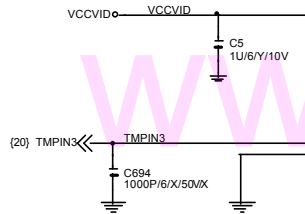
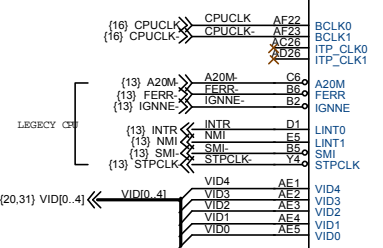
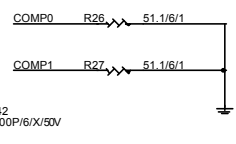
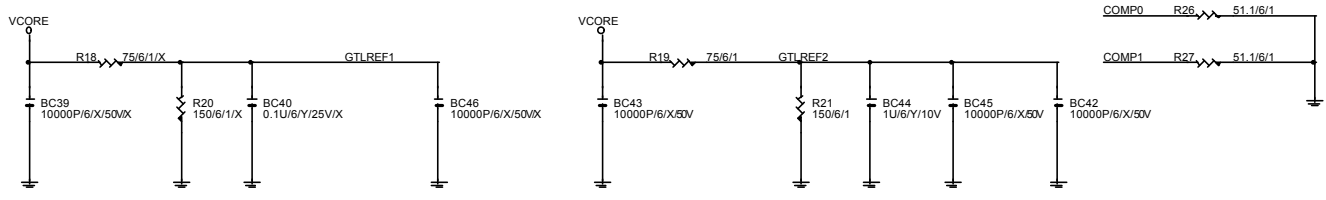
GIGABYTE

Title BOM & PCB MODIFY HISTORY

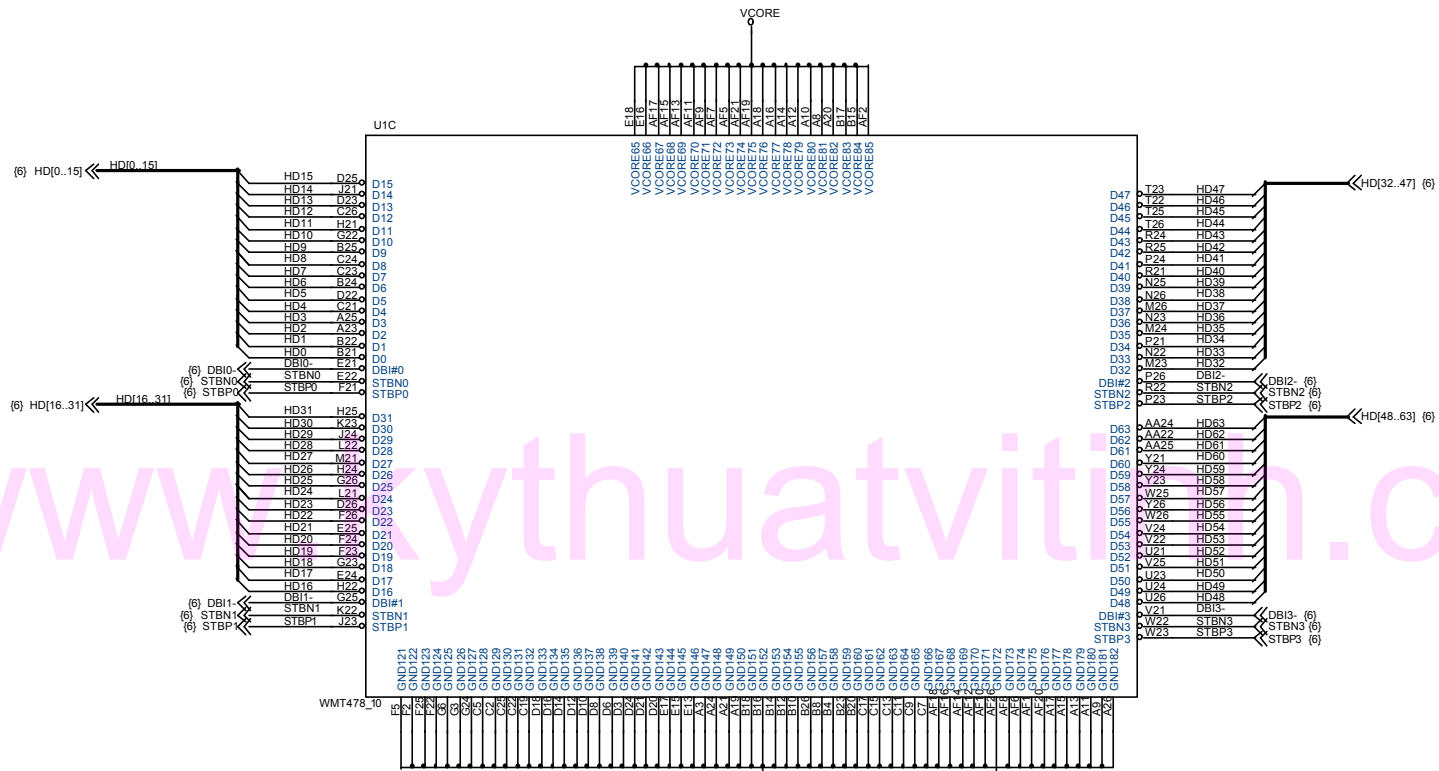
Size Custom GA-8ID533 Rev 1.1
 Date: Wednesday, November 13, 2002 Sheet 2 of 34



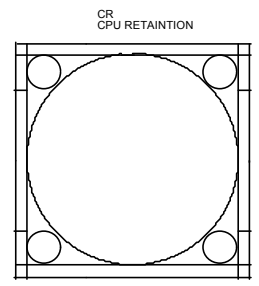
Title		
WILLIAMATE 478A		
Size	Document Number	Rev
Custom	GA-8ID533	1.1
Date:	Wednesday, November 13, 2002 Sheet 3 of 34	



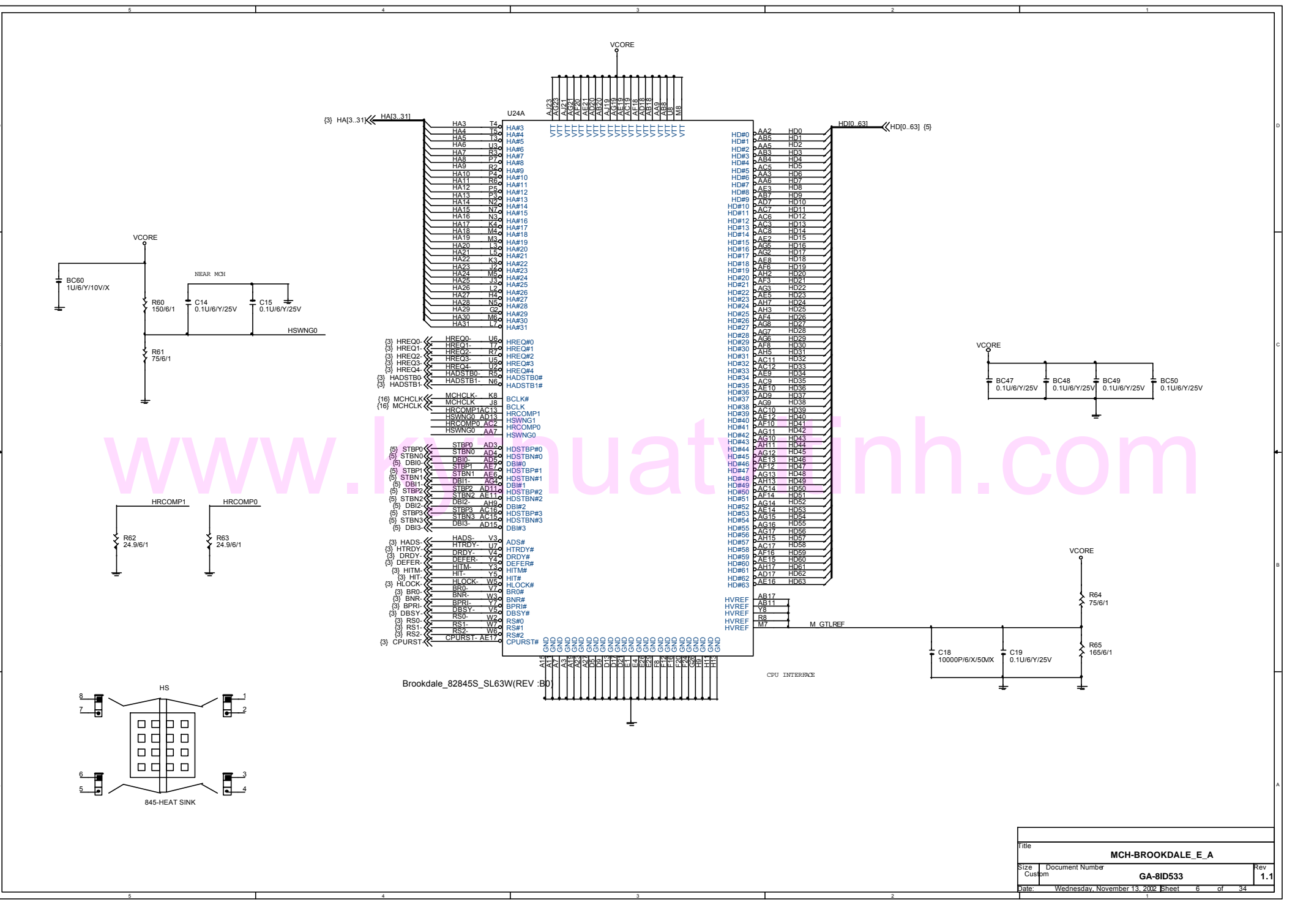
Title		
WILLIAMATE 478B		
Size	Document Number	Rev
Custom	GA-8ID533	1.1
Date: Wednesday, November 13, 2002 Sheet 4 of 34		



www.kythuativiti.com

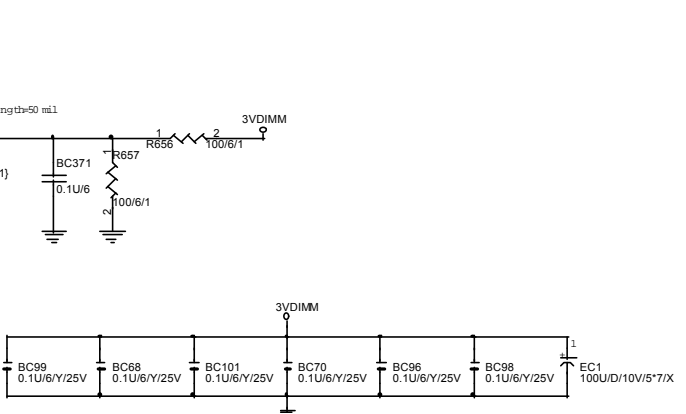
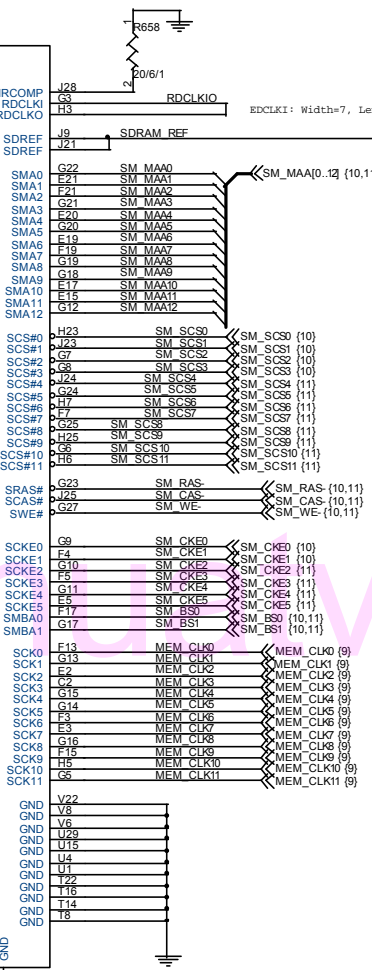
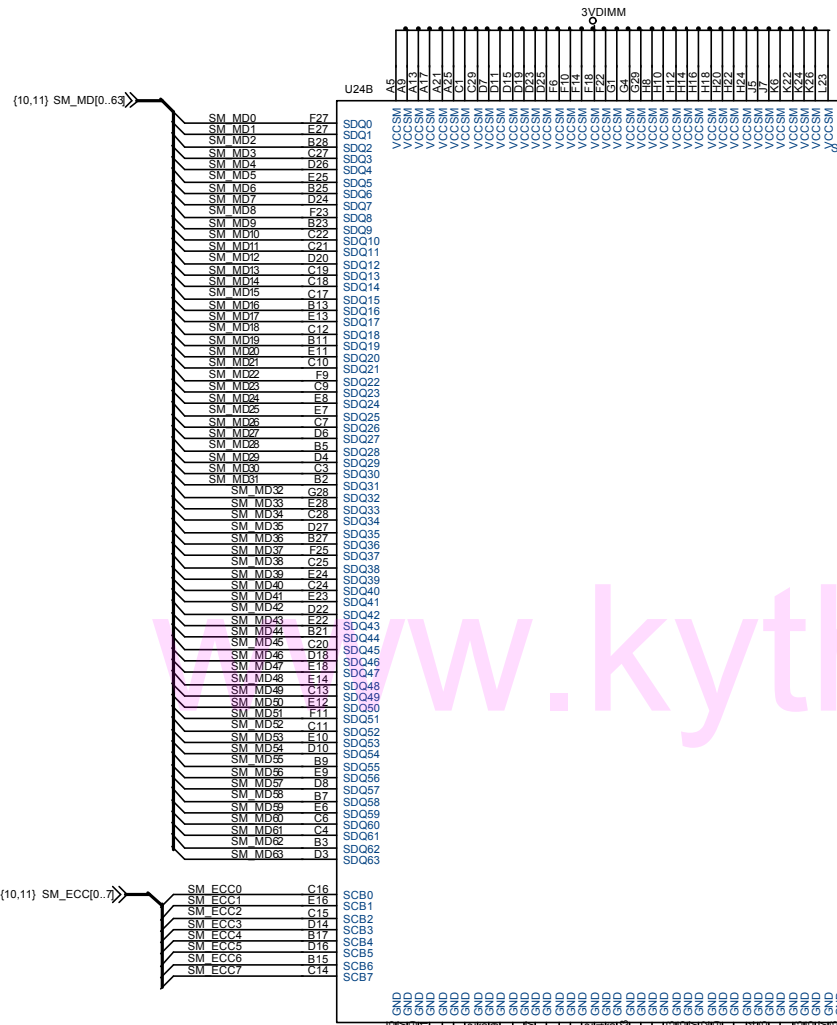


Title		
WILLIAMATE 478C		
Size	Document Number	Rev
Custom	GA-8ID533	1.1
Date:	Wednesday, November 13, 2002 Sheet 5 of 34	



www.khnuat.com

Title		
MCH-BROOKDALE_E_A		
Size	Document Number	Rev
Custom	GA-8ID533	1.1
Date:	Wednesday, November 13, 2002 Sheet 6 of 34	

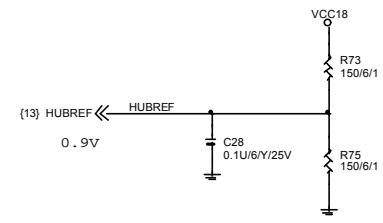
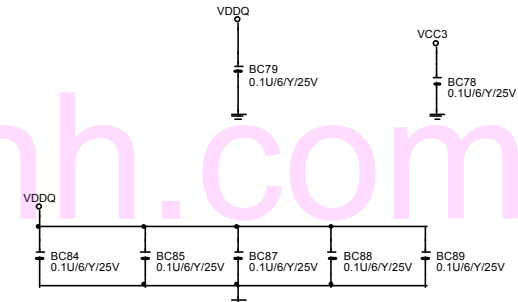
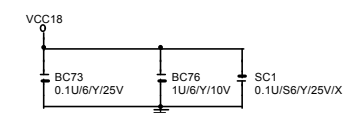
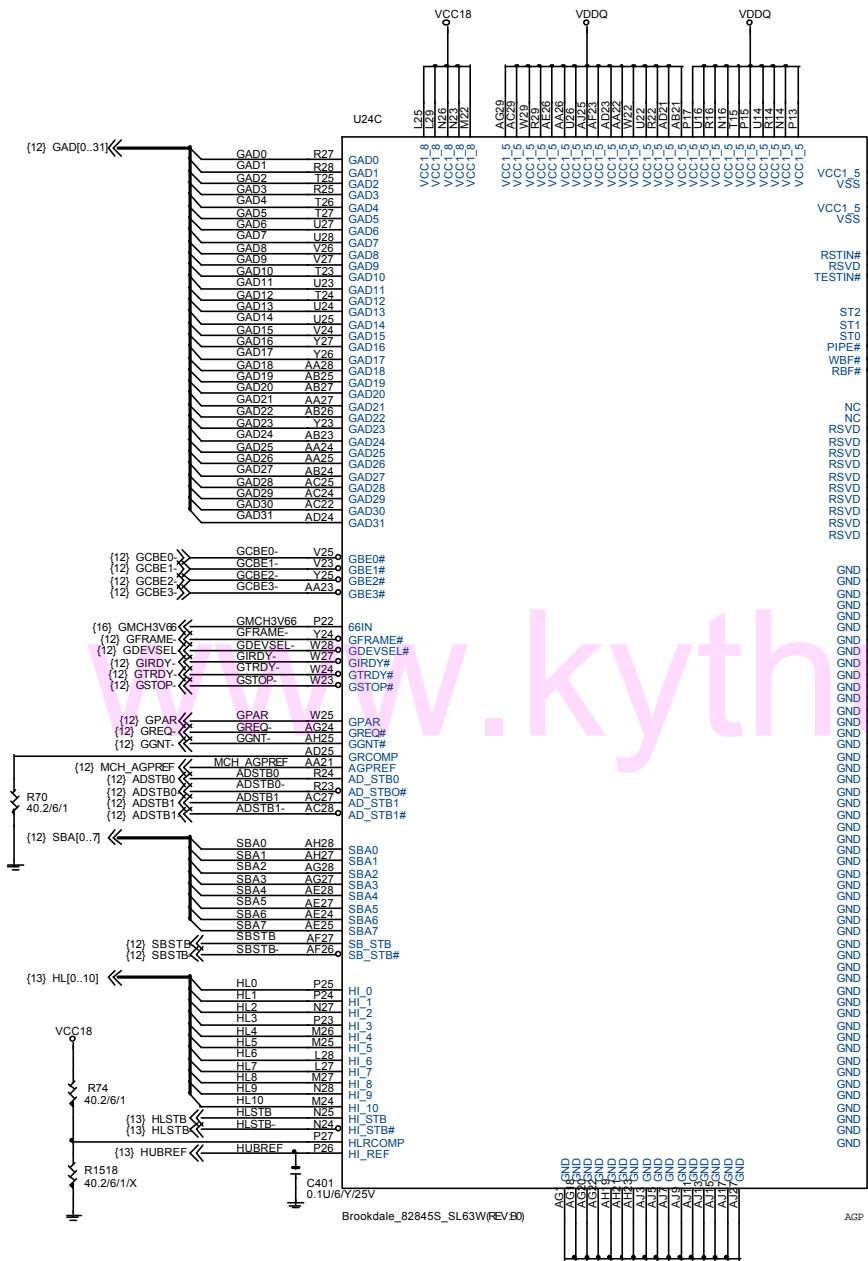


Brookdale_82845S_SL63W(REV B)

DDR INTERFACE

www.kytlivinh.com

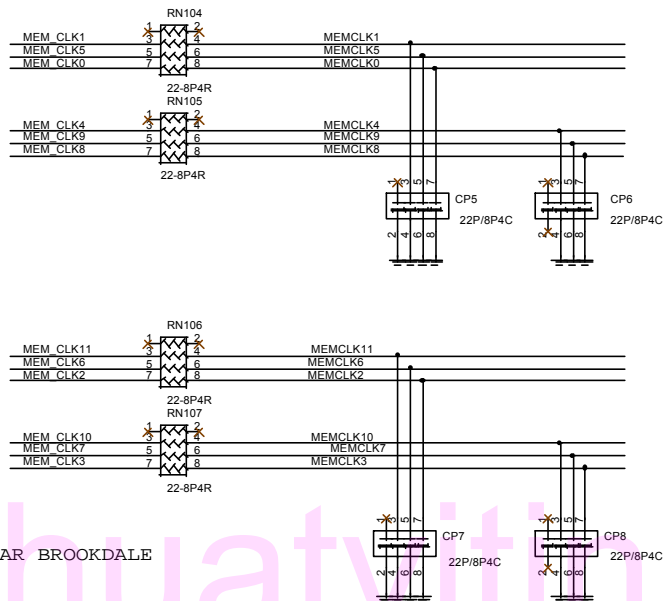
Title		
MCH-BROOKDALE_E_B		
Size	Document Number	Rev
Custom	GA-8ID533	1.1
Date:	Wednesday, November 13, 2002 Sheet 7 of 34	



Title		
MCH-BROOKDALE_E_C		
Size	Document Number	Rev
Custom	GA-8ID533	1.1
Date:	Wednesday, November 13, 2002 Sheet 8 of 34	

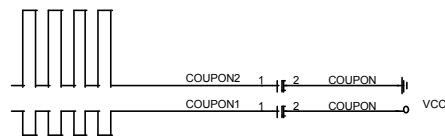
{10,11} MEMCLK[0..11] << MEMCLK[0..11]

{7} MEM_CLK[0..11] << MEM_CLK[0..11]



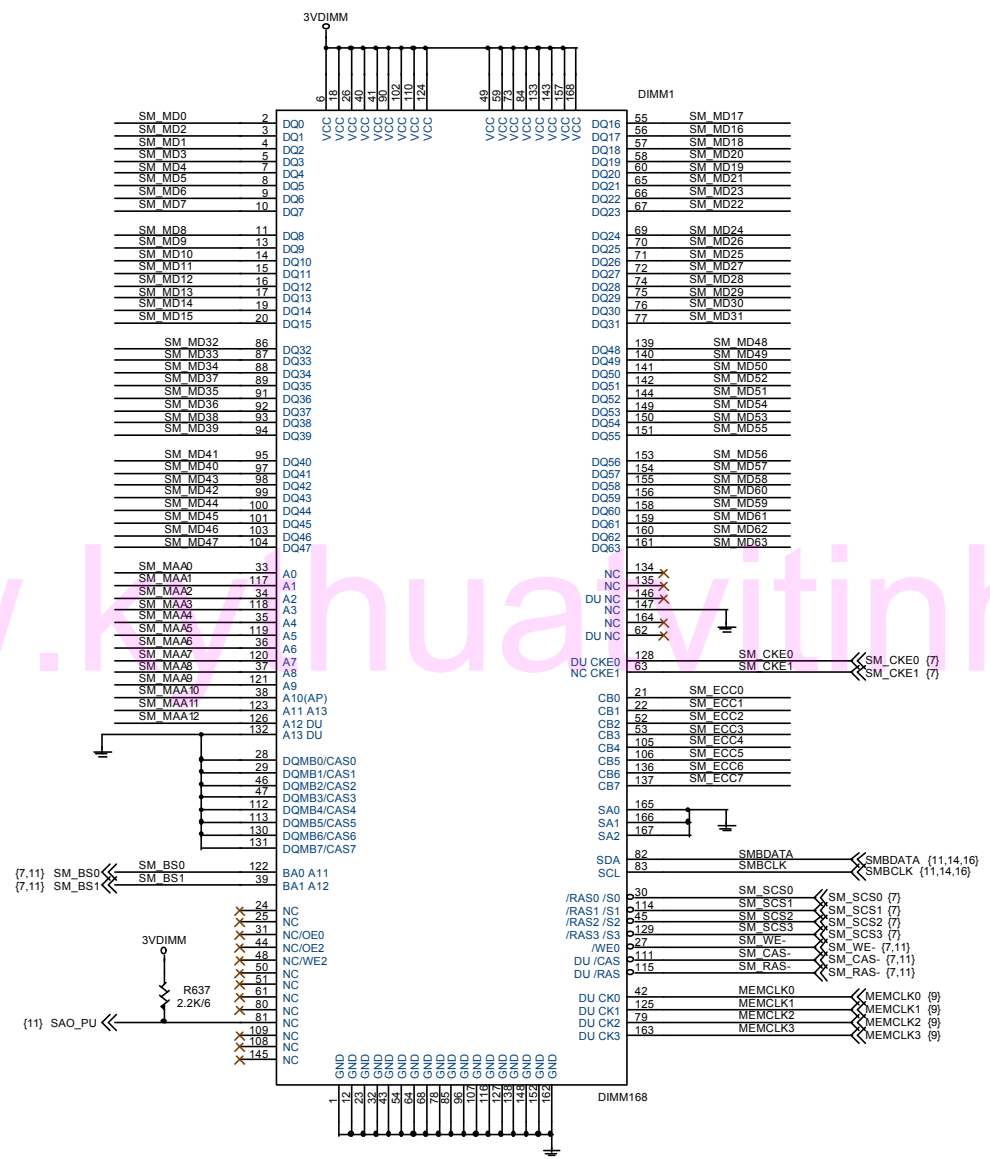
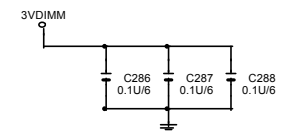
NEAR BROOKDALE

www.kythuathwithh.com



SIGABYTE CORP.	
Title	
MD0_63 SERIAL TERM.	
Size	Document Number
B	GA-8ID533
Date:	Wednesday, November 13, 2002
Sheet	9 of 34
Rev	1.1

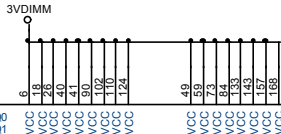
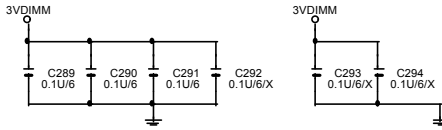
(7,11) SM_MD[0..63] << SM_MD[0..63]
 (7,11) SM_MAA[0..12] << SM_MAA[0..12]
 (7,11) SM_ECC[0..7] << SM_ECC[0..7]



www.khuavietinh.com

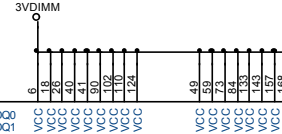
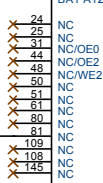
SIGABYTE TECH.		
Title		
DDR1,2		
Size	Document Number	Rev
B	GA-8ID533	1.1
Date:	Wednesday, November 13, 2002	Sheet 10 of 34

(7,10) SM_MD[0..63] << SM_MD[0..63]
 (7,10) SM_MAA[0..12] << SM_MAA[0..12]
 (7,10) SM_ECC[0..7] << SM_ECC[0..7]



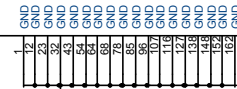
SM MD0	2	DQ0	55	SM MD17	DQ16
SM MD2	3	DQ1	56	SM MD16	DQ17
SM MD1	4	DQ2	57	SM MD18	DQ18
SM MD3	5	DQ3	58	SM MD20	DQ19
SM MD4	7	DQ4	60	SM MD19	DQ20
SM MD5	8	DQ5	65	SM MD21	DQ21
SM MD6	9	DQ6	66	SM MD23	DQ22
SM MD7	10	DQ7	67	SM MD22	DQ23
SM MD8	11	DQ8	69	SM MD24	DQ24
SM MD9	13	DQ9	70	SM MD26	DQ25
SM MD10	14	DQ10	71	SM MD25	DQ26
SM MD11	15	DQ11	72	SM MD27	DQ27
SM MD12	16	DQ12	74	SM MD28	DQ28
SM MD13	17	DQ13	75	SM MD29	DQ29
SM MD14	19	DQ14	76	SM MD30	DQ30
SM MD15	20	DQ15	77	SM MD31	DQ31
SM MD32	86	DQ32	139	SM MD48	DQ48
SM MD33	87	DQ33	140	SM MD49	DQ49
SM MD34	88	DQ34	141	SM MD50	DQ50
SM MD37	89	DQ37	142	SM MD52	DQ52
SM MD35	91	DQ35	144	SM MD51	DQ51
SM MD36	92	DQ36	149	SM MD54	DQ54
SM MD38	93	DQ38	150	SM MD53	DQ53
SM MD39	94	DQ39	151	SM MD55	DQ55
SM MD41	95	DQ40	153	SM MD56	DQ56
SM MD40	97	DQ41	154	SM MD57	DQ57
SM MD43	98	DQ42	155	SM MD58	DQ58
SM MD42	99	DQ43	156	SM MD60	DQ60
SM MD44	100	DQ44	158	SM MD59	DQ59
SM MD45	101	DQ45	159	SM MD61	DQ61
SM MD46	103	DQ46	160	SM MD62	DQ62
SM MD47	104	DQ47	161	SM MD63	DQ63

DU CK0	42	MEMCLK4	MEMCLK4 (9)
DU CK1	125	MEMCLK5	MEMCLK5 (9)
DU CK2	79	MEMCLK6	MEMCLK6 (9)
DU CK3	163	MEMCLK7	MEMCLK7 (9)
DU CKE0	128	SM_CKE2	SM_CKE2 (7)
NC CKE1	63	SM_CKE3	SM_CKE3 (7)
CB0	21	SM_ECC0	
CB1	22	SM_ECC1	
CB2	52	SM_ECC2	
CB3	53	SM_ECC3	
CB4	105	SM_ECC4	
CB5	106	SM_ECC5	
CB6	136	SM_ECC6	
CB7	137	SM_ECC7	
SA0	165		
SA1	166		
SA2	167		
SCL	83	SMBCLK	SMBCLK (10,14,16)
SDA	82	SMBDATA	SMBDATA (10,14,16)
/RAS0 /S0	30	SM_SCS4	SM_SCS4 (7)
/RAS1 /S1	114	SM_SCS5	SM_SCS5 (7)
/RAS2 /S2	45	SM_SCS6	SM_SCS6 (7)
/RAS3 /S3	129	SM_SCS7	SM_SCS7 (7)
/WE0	27	SM_WE	SM_WE (7,10)
/WE1	44		
DU /CAS	111	SM_CAS	SM_CAS (7,10)
DU /RAS	115	SM_RAS	SM_RAS (7,10)



SM MD0	2	DQ0	55	SM MD17	DQ16
SM MD2	3	DQ1	56	SM MD16	DQ17
SM MD1	4	DQ2	57	SM MD18	DQ18
SM MD3	5	DQ3	58	SM MD20	DQ19
SM MD4	7	DQ4	60	SM MD19	DQ20
SM MD5	8	DQ5	65	SM MD21	DQ21
SM MD6	9	DQ6	66	SM MD23	DQ22
SM MD7	10	DQ7	67	SM MD22	DQ23
SM MD8	11	DQ8	69	SM MD24	DQ24
SM MD9	13	DQ9	70	SM MD26	DQ25
SM MD10	14	DQ10	71	SM MD25	DQ26
SM MD11	15	DQ11	72	SM MD27	DQ27
SM MD12	16	DQ12	74	SM MD28	DQ28
SM MD13	17	DQ13	75	SM MD29	DQ29
SM MD14	19	DQ14	76	SM MD30	DQ30
SM MD15	20	DQ15	77	SM MD31	DQ31
SM MD32	86	DQ32	139	SM MD48	DQ48
SM MD33	87	DQ33	140	SM MD49	DQ49
SM MD34	88	DQ34	141	SM MD50	DQ50
SM MD37	89	DQ37	142	SM MD52	DQ52
SM MD35	91	DQ35	144	SM MD51	DQ51
SM MD36	92	DQ36	149	SM MD54	DQ54
SM MD38	93	DQ38	150	SM MD53	DQ53
SM MD39	94	DQ39	151	SM MD55	DQ55
SM MD41	95	DQ40	153	SM MD56	DQ56
SM MD40	97	DQ41	154	SM MD57	DQ57
SM MD43	98	DQ42	155	SM MD58	DQ58
SM MD42	99	DQ43	156	SM MD60	DQ60
SM MD44	100	DQ44	158	SM MD59	DQ59
SM MD45	101	DQ45	159	SM MD61	DQ61
SM MD46	103	DQ46	160	SM MD62	DQ62
SM MD47	104	DQ47	161	SM MD63	DQ63

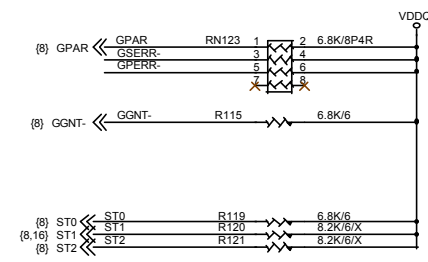
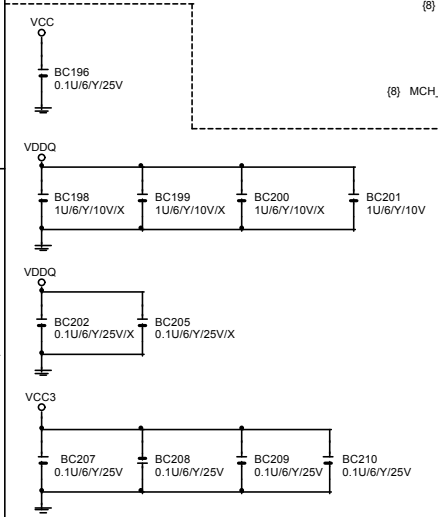
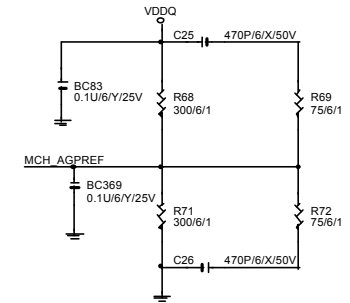
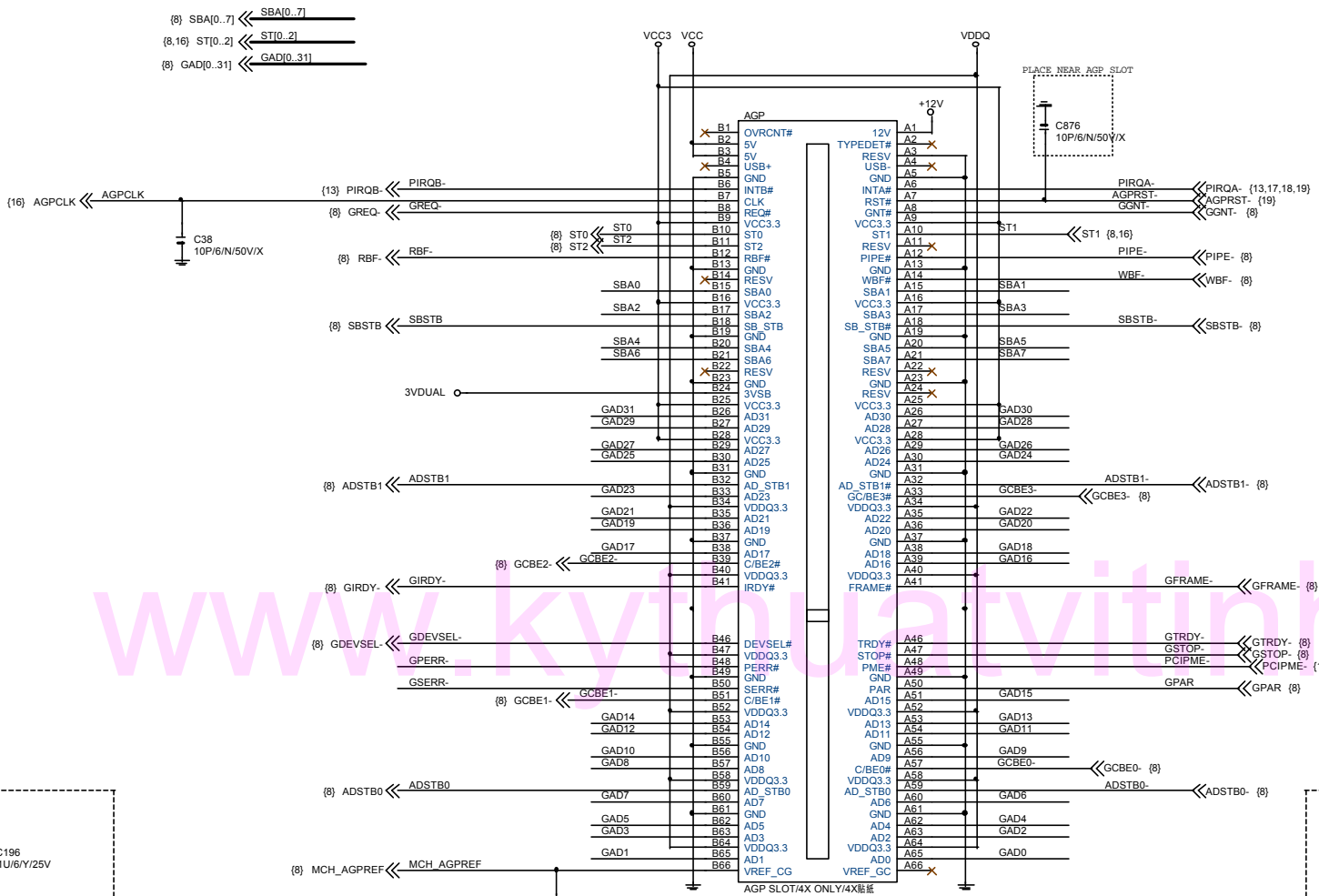
NC	134		
NC	135		
NC	146		
DU NC	147		
NC	148		
NC	164		
DU NC	62		
DU CKE0	128	SM_CKE4 (7)	
NC CKE1	63	SM_CKE5 (7)	
CB0	21	SM_ECC0	
CB1	22	SM_ECC1	
CB2	52	SM_ECC2	
CB3	53	SM_ECC3	
CB4	105	SM_ECC4	
CB5	106	SM_ECC5	
CB6	136	SM_ECC6	
CB7	137	SM_ECC7	
SA0	165		
SA1	166		
SA2	167		
SCL	83	SMBCLK	SMBCLK (10,14,16)
SDA	82	SMBDATA	SMBDATA (10,14,16)
/RAS0 /S0	30	SM_SCS8	SM_SCS8 (7)
/RAS1 /S1	114	SM_SCS9	SM_SCS9 (7)
/RAS2 /S2	45	SM_SCS10	SM_SCS10 (7)
/RAS3 /S3	129	SM_SCS11	SM_SCS11 (7)
NC/OE0	27		
NC/OE1	44		
DU /CAS	111	SM_CAS (7,10)	
DU /RAS	115	SM_RAS (7,10)	
NC	42		
DU CK0	125	MEMCLK8 (9)	
DU CK1	79	MEMCLK9 (9)	
DU CK2	163	MEMCLK10 (9)	
DU CK3	163	MEMCLK11 (9)	



SIGABYTE TECH.

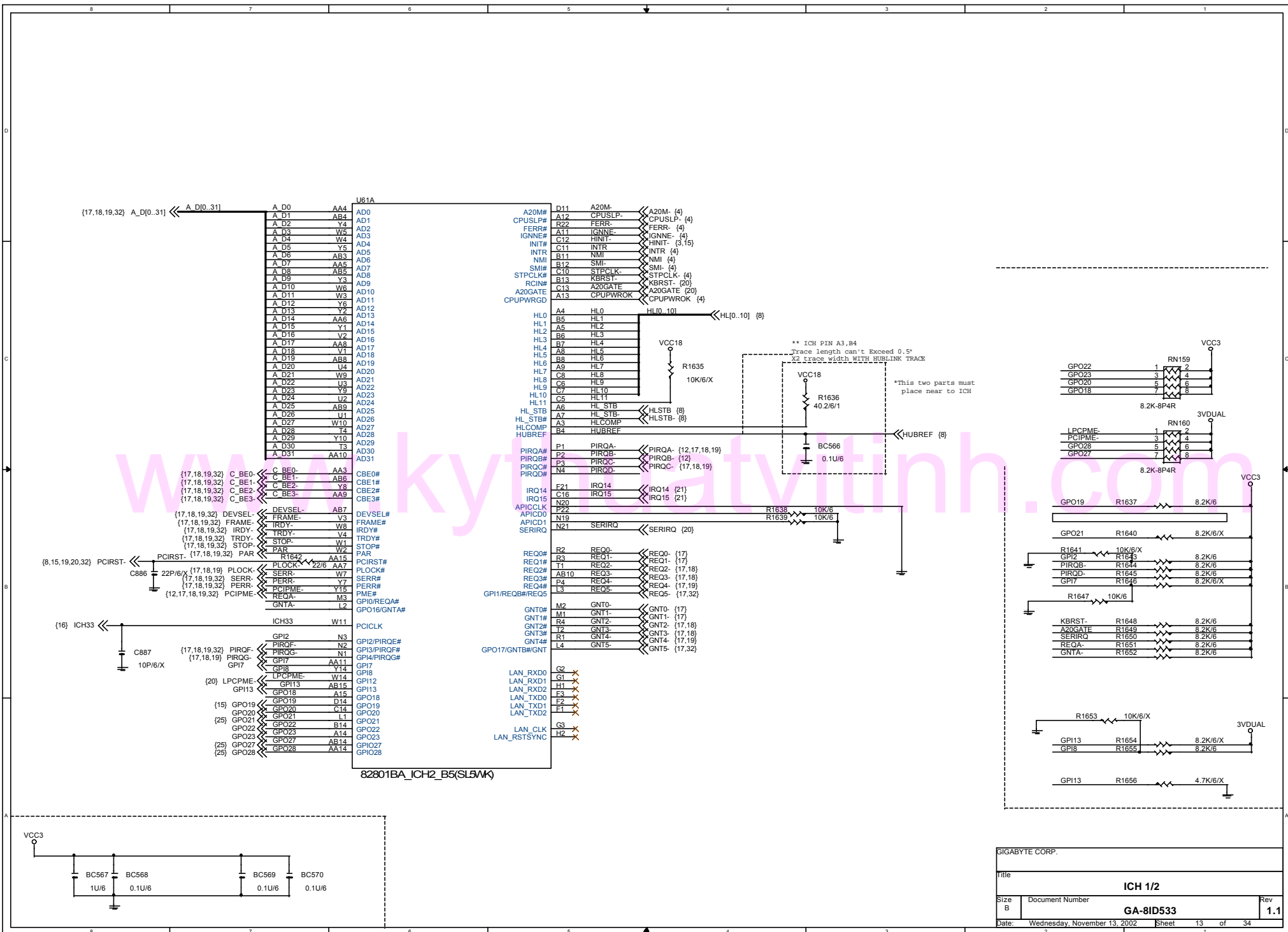
Title		
DDR3 & TERM.		
Size B	Document Number	Rev
	GA-8ID533	1.1
Date:	Wednesday, November 13, 2002	Sheet 11 of 34

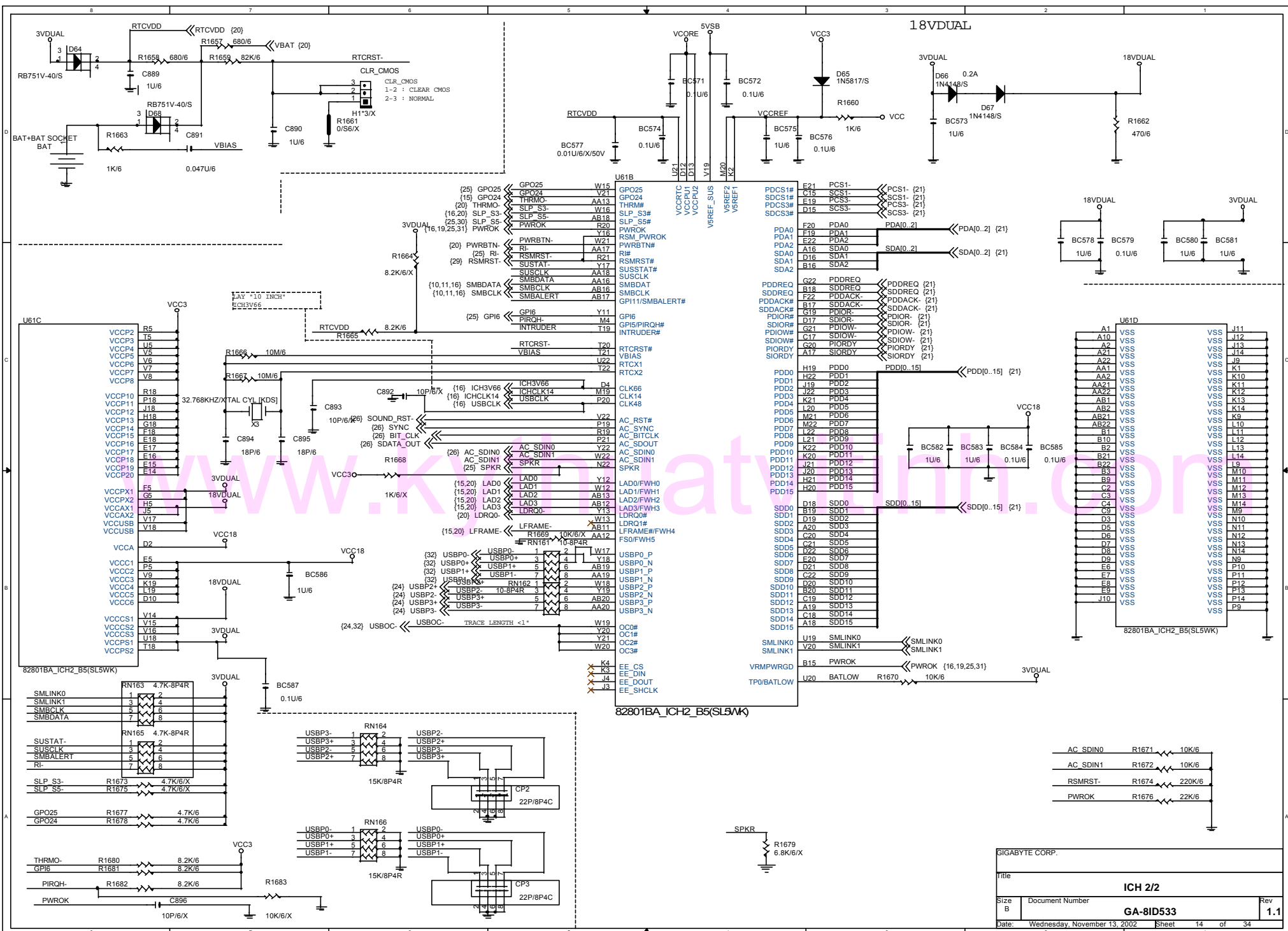
4X only



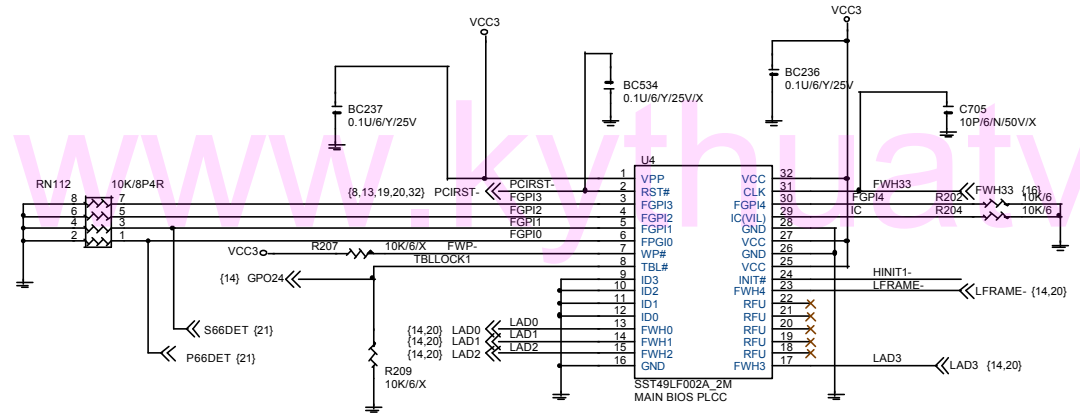
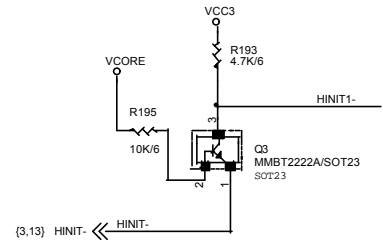
SIGABYTE CORP.		
Title		
AGP SLOT		
Size	Document Number	Rev
Custom	GA-8ID533	1.1
Date:	Wednesday, November 13, 2002	Sheet 12 of 34

www.kytronlatvith.com

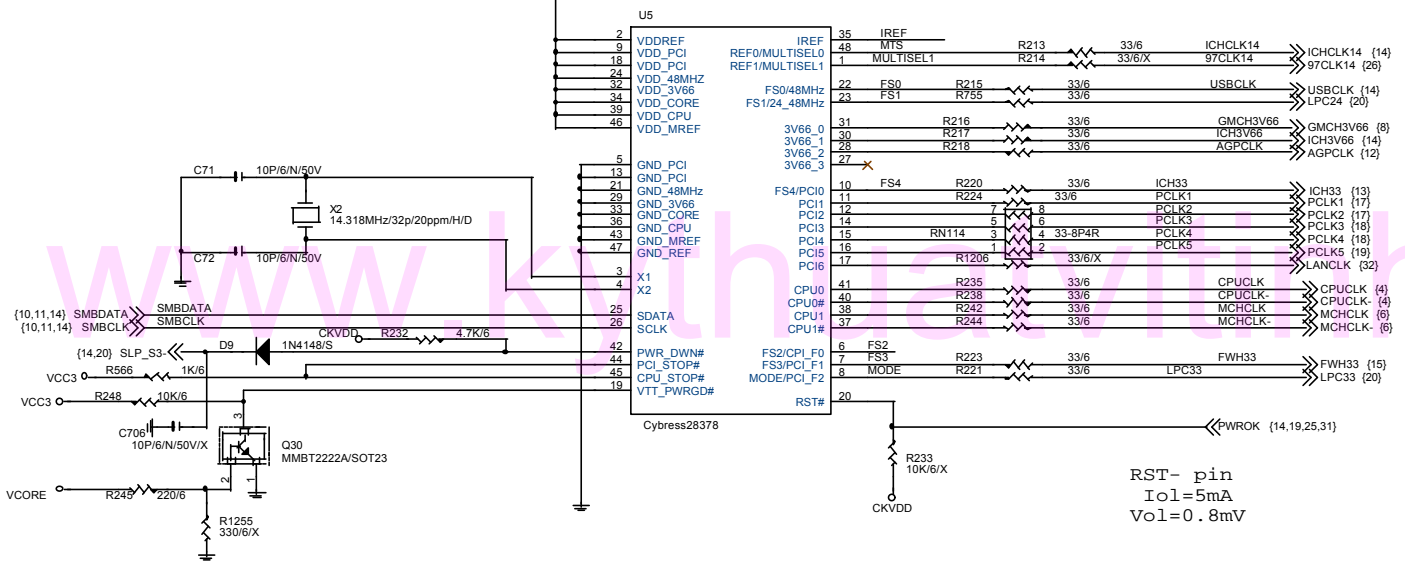
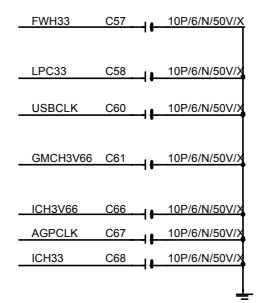
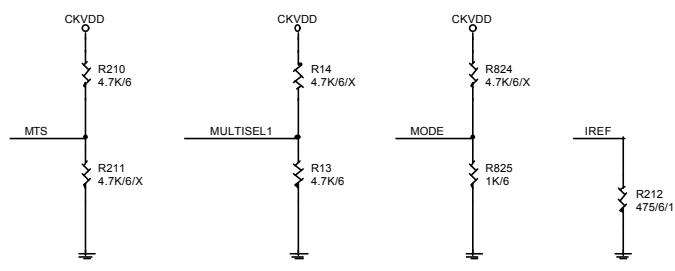
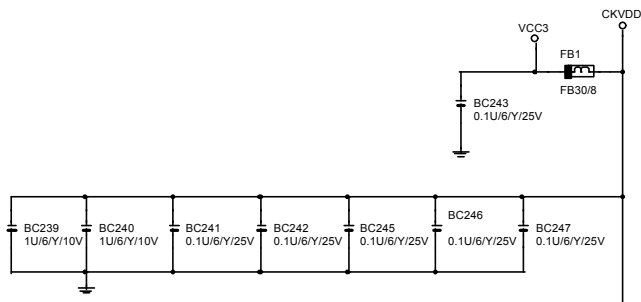




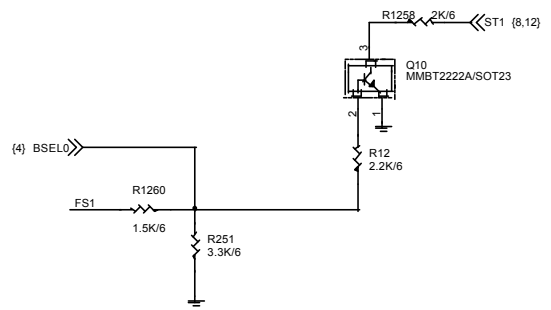
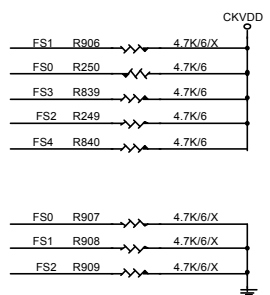
{13} GPO19 << EPO19 R1263 4.7K/6 FWP-



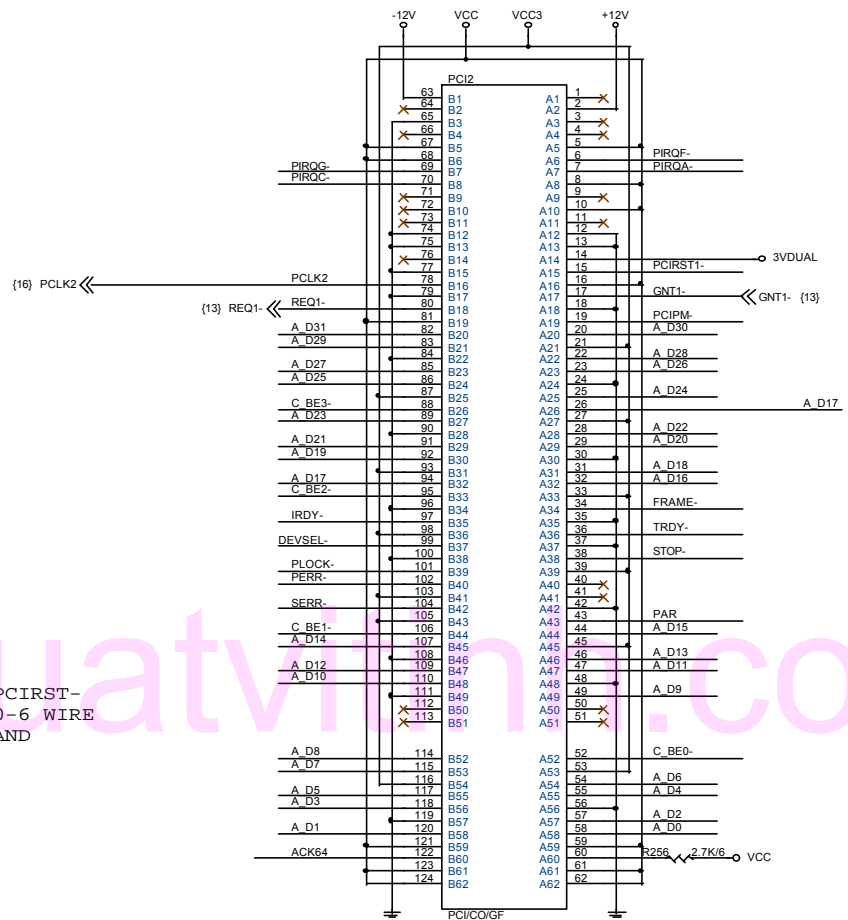
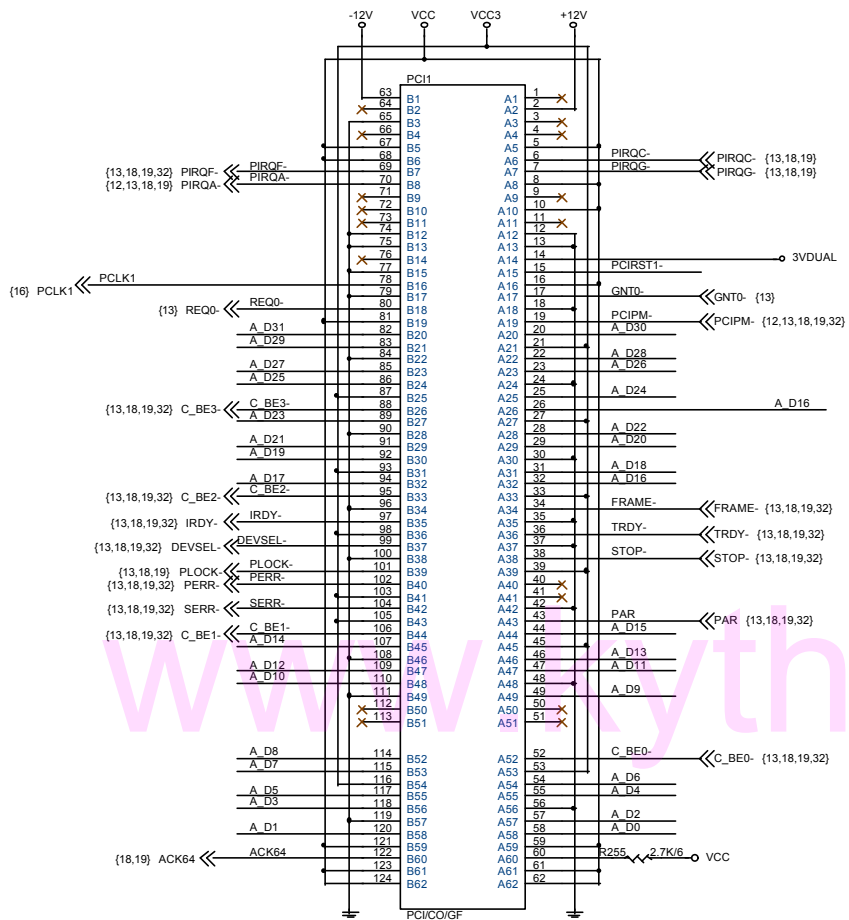
SIGABYTE CORP.		
Title		
FWH		
Size B	Document Number	Rev
	GA-8ID533	1.1
Date:	Wednesday, November 13, 2002	Sheet 15 of 34



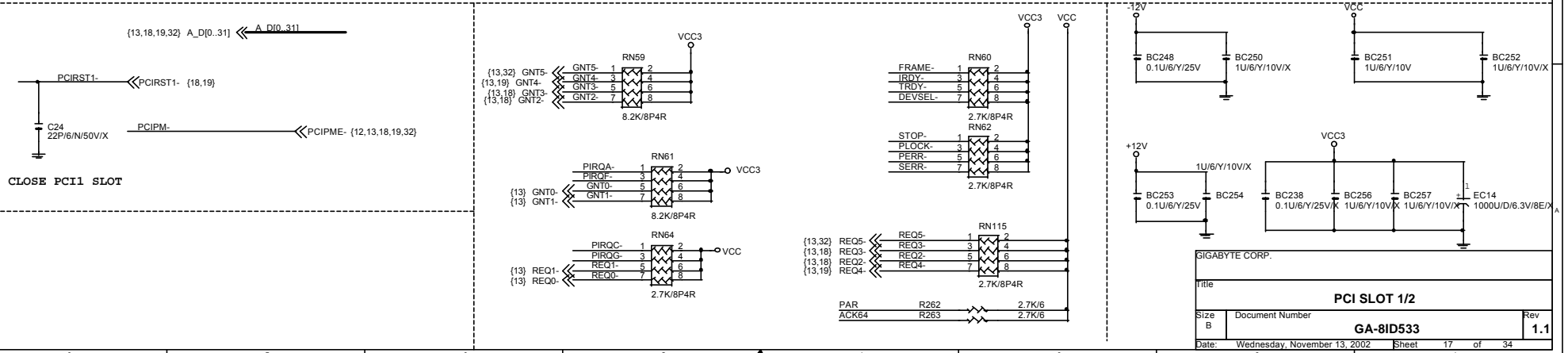
RST- pin
I_{ol}=5mA
V_{ol}=0.8mV



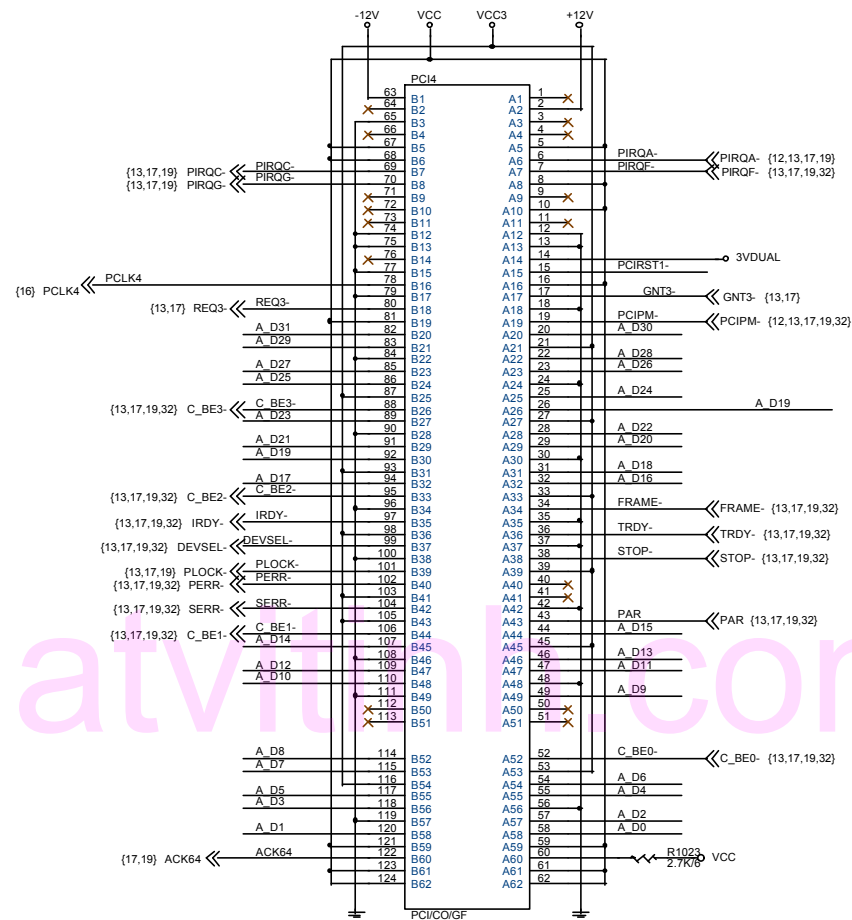
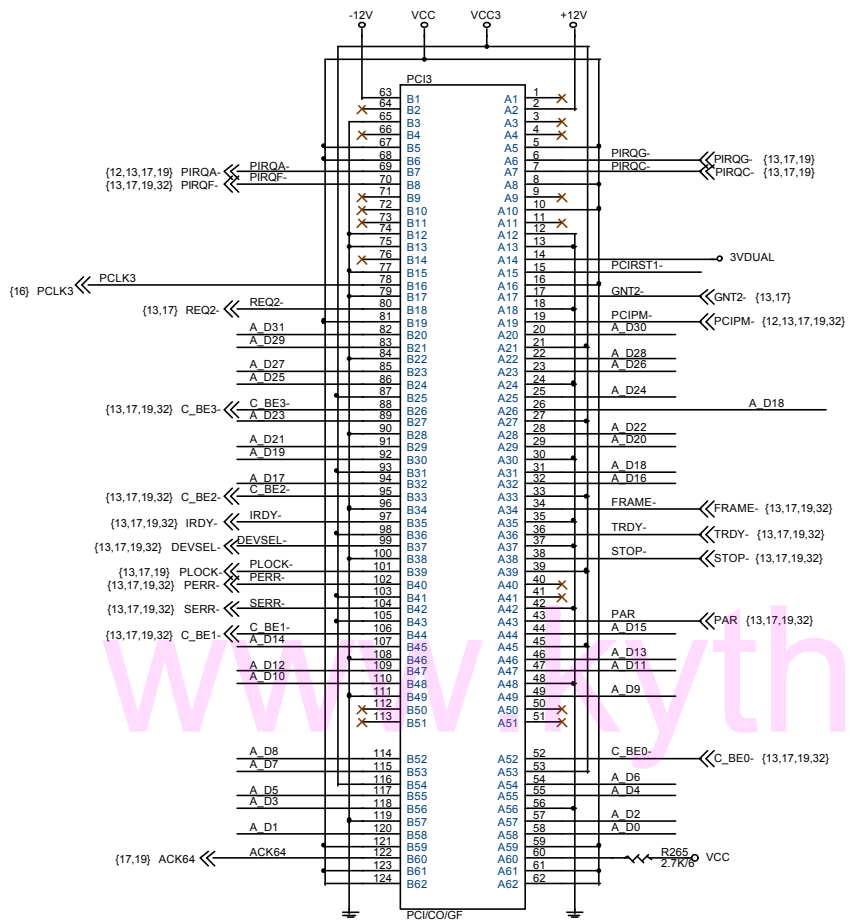
SIGABYTE CORP.			
Title			
CLOCK GENERATOR			
Size	Document Number	Rev	
Custom	GA-8ID533	1.1	
Date:	Wednesday, November 13, 2002	Sheet	16 of 34



PCIRST-0-6 WIRE AND

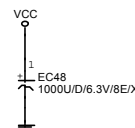


SIGABYTE CORP.		
Title		
PCI SLOT 1/2		
Size	Document Number	Rev
B	GA-8ID533	1.1
Date:	Wednesday, November 13, 2002	Sheet 17 of 34

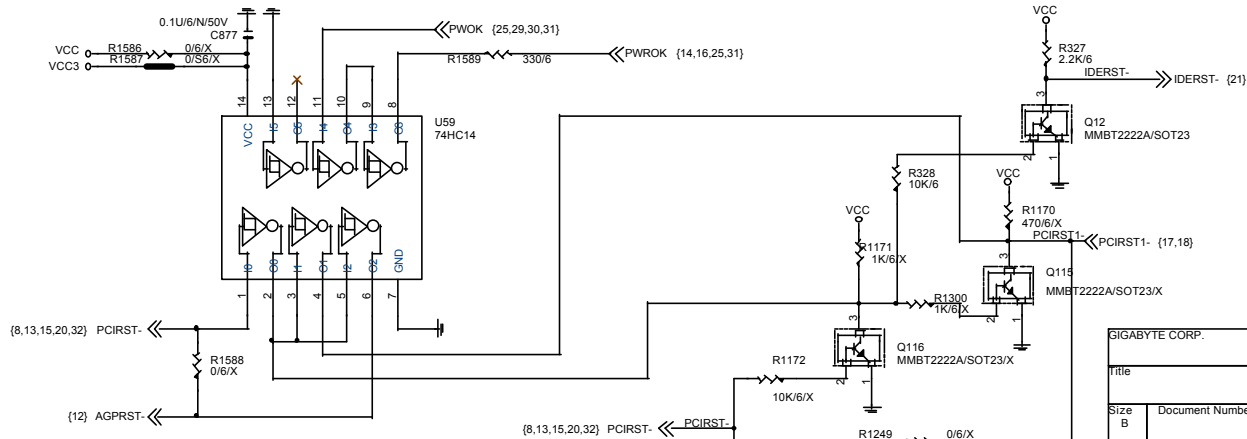
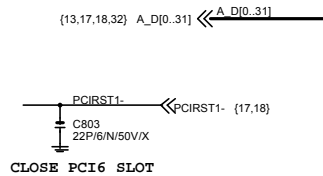
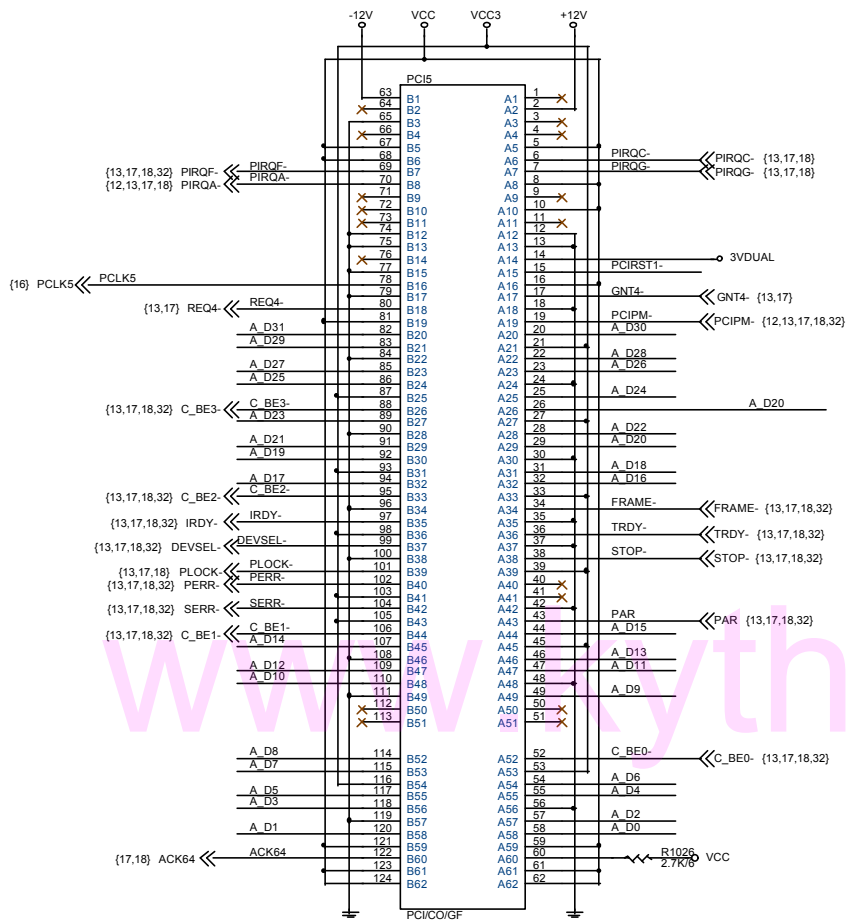


(13,17,19,32) A_D0..31 A_D0..31

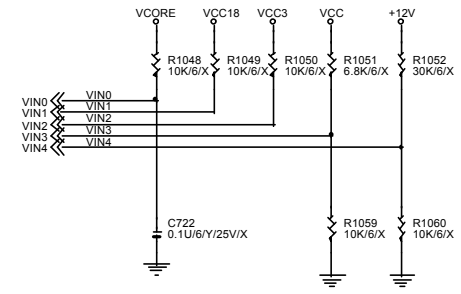
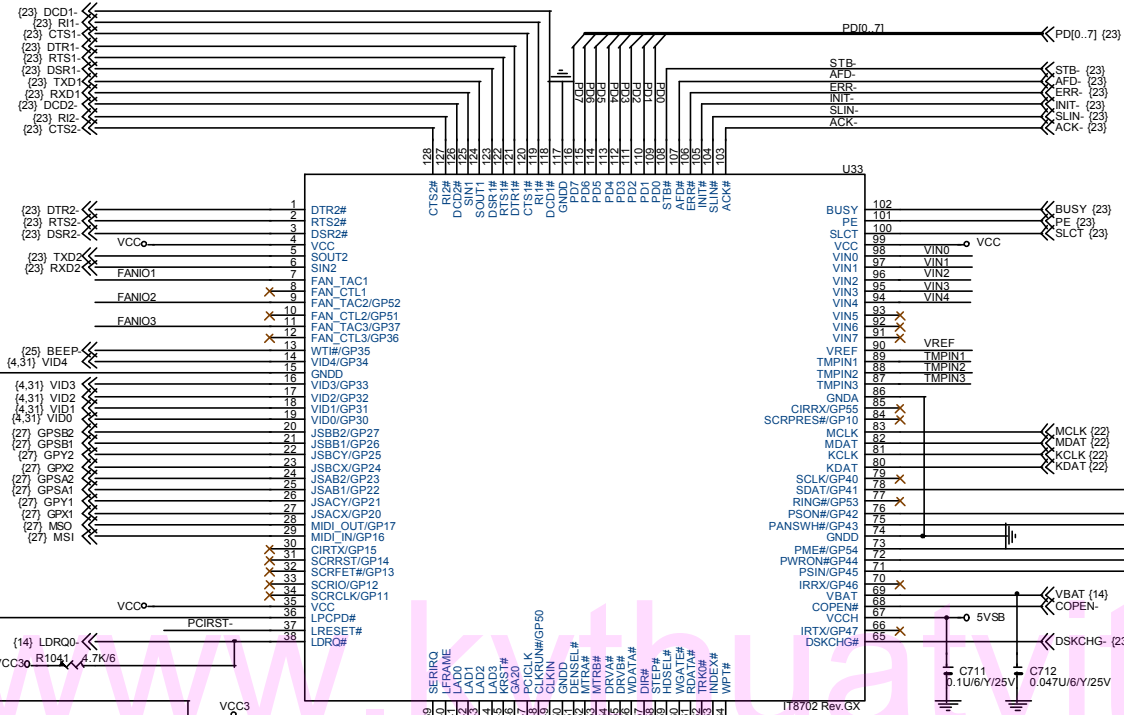
PCIRST1- << PCIRST1- (17,19)



SIGABYTE CORP.		
Title PCI SLOT 3_4		
Size B	Document Number GA-8ID533	Rev 1.1
Date: Wednesday, November 13, 2002	Sheet 18	of 34



SIGABYTE CORP.		
Title PCI SLOT 5		
Size B	Document Number GA-8ID533	Rev 1.1
Date: Wednesday, November 13, 2002	Sheet 19	of 34



VREF=4.096V

VCC3

THRMO- (14)

PS_ON- (29)

PWRBTSW- (25)

LPCPME (13)

PWRBTN- (14)

SLP_S3 (14,16)

VBAT (14)

COPEN-

DSKCHG- (23)

WPT- (23)

INDEX- (23)

TRK00- (23)

RDATA- (23)

WGATE- (23)

SIDE1- (23)

STEP- (23)

DIR- (23)

WDATA- (23)

DRVB- (23)

DRVA- (23)

MOTEB- (23)

MOTEA- (23)

DENSEL- (23)

INDEX- (23)

TRK00- (23)

RDATA- (23)

WGATE- (23)

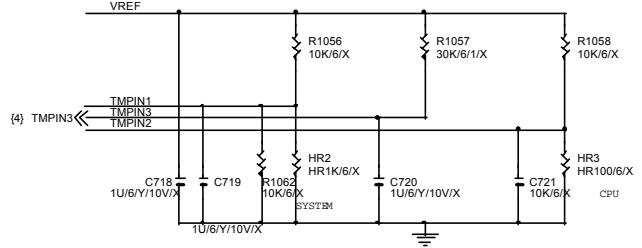
SIDE1- (23)

STEP- (23)

DIR- (23)

WDATA- (23)

DRVB- (23)



R1039 4.7K/6

VCC3 R1044 4.7K/6

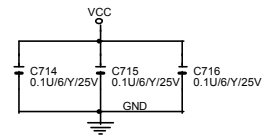
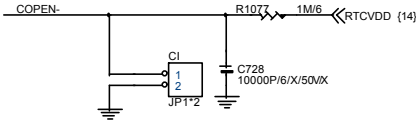
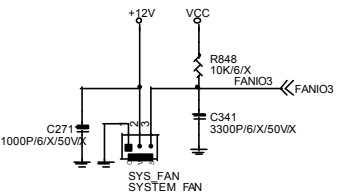
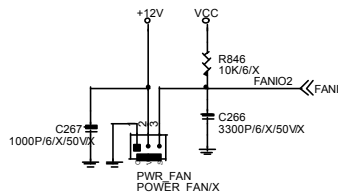
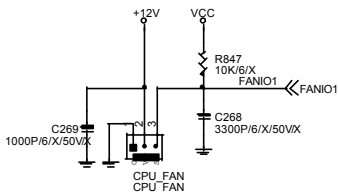
S_IRQ使用橘色

C779 10P/6/N/50V

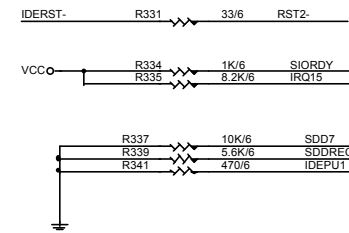
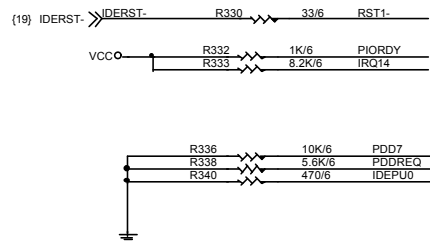
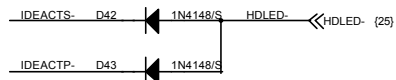
C778 1P/6/N/50V

6/6 ADD NEAR TO U33

PCIRST- (8,13,15,19,32)



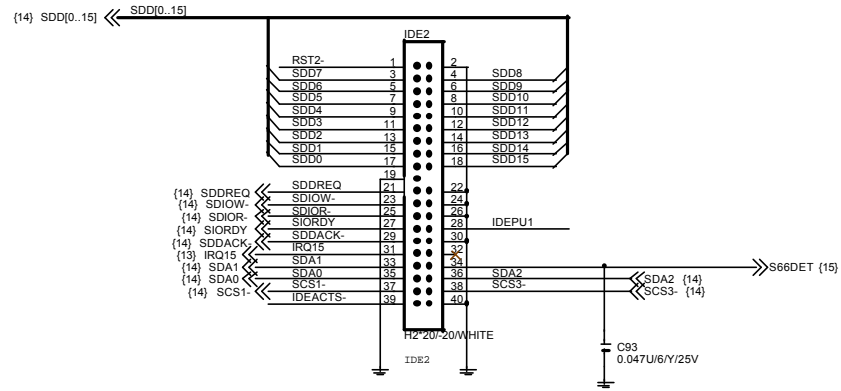
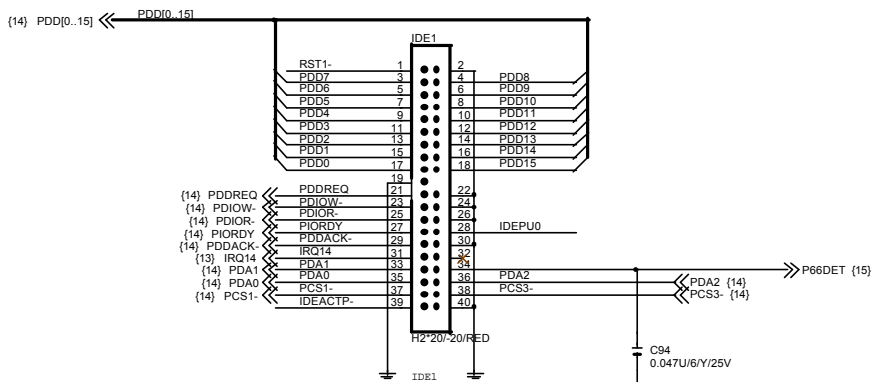
SIGABYTE CORP.		
Title		
ITE LPC I/O		
Size	Document Number	Rev
Custom	GA-8ID533	1.1
Date: Wednesday, November 13, 2002 Sheet 20 of 34		



www.kythuatvithinh.com

PRIMARY IDE CONNECTOR

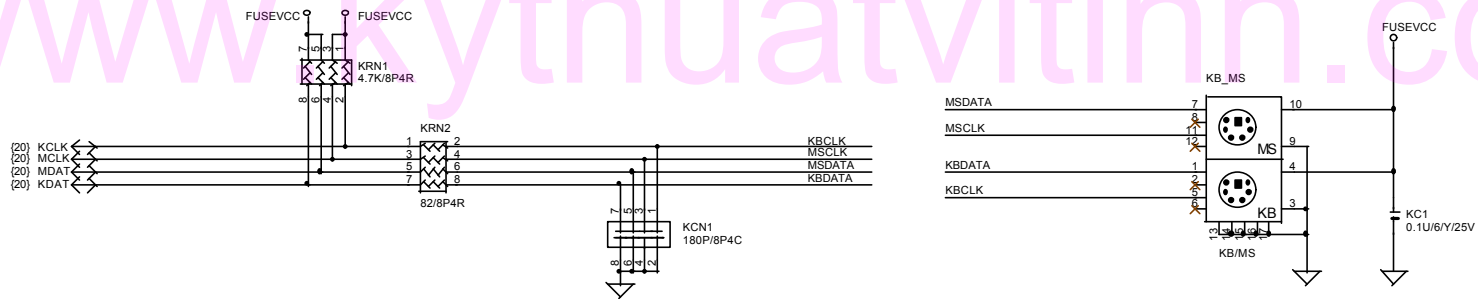
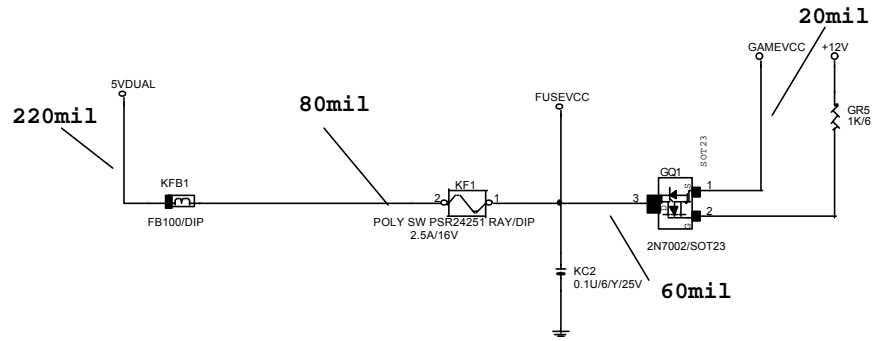
SECONDARY IDE CONNECTOR



BIOS:CABLE DETECT AND DEVICE DETECT

SIGABYTE CORP.		
Title IDE CONNECTOR		
Size B	Document Number GA-8ID533	Rev 1.1
Date: Wednesday, November 13, 2002	Sheet 21	of 34

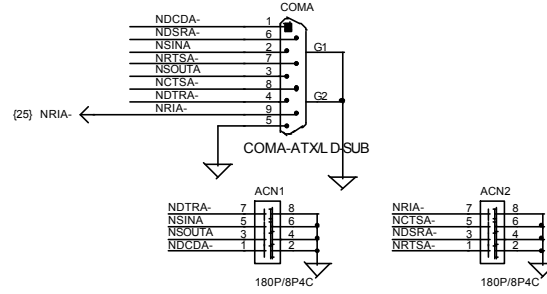
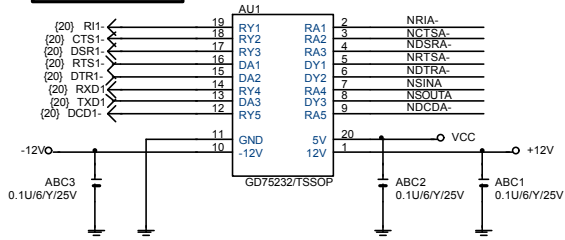
模組化線路



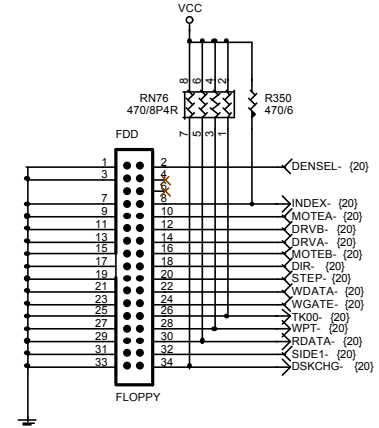
SIGABYTE CORP.		
Title		
KB & PS2 MOUSE & IR		
Size B	Document Number	Rev
	GA-8ID533	1.1
Date:	Wednesday, November 13, 2002	Sheet 22 of 34

COMA

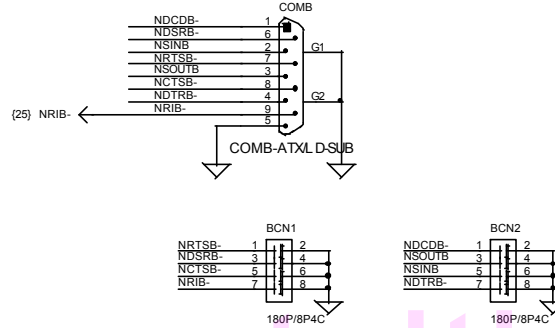
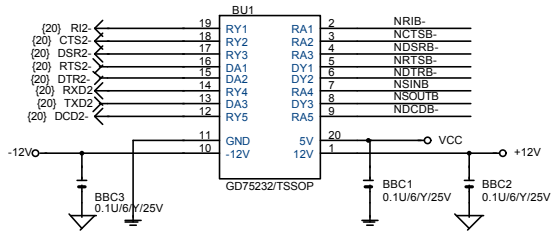
模組化線路



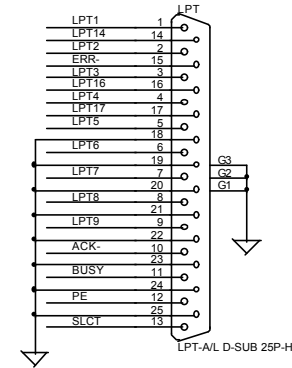
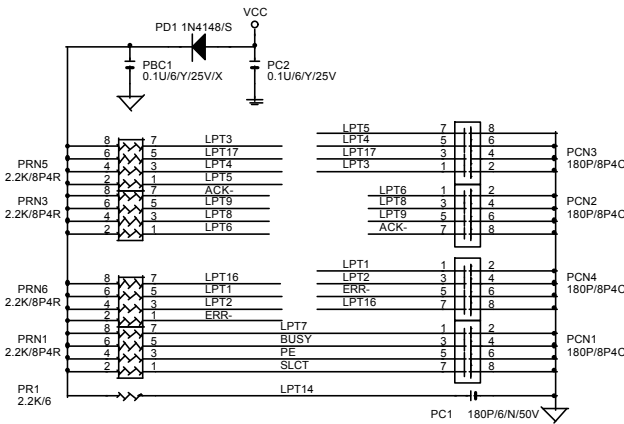
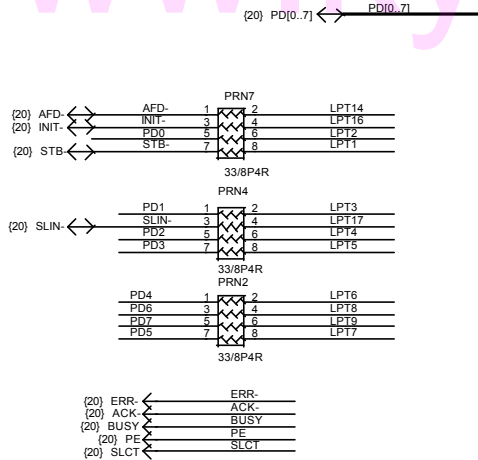
FLOPPY



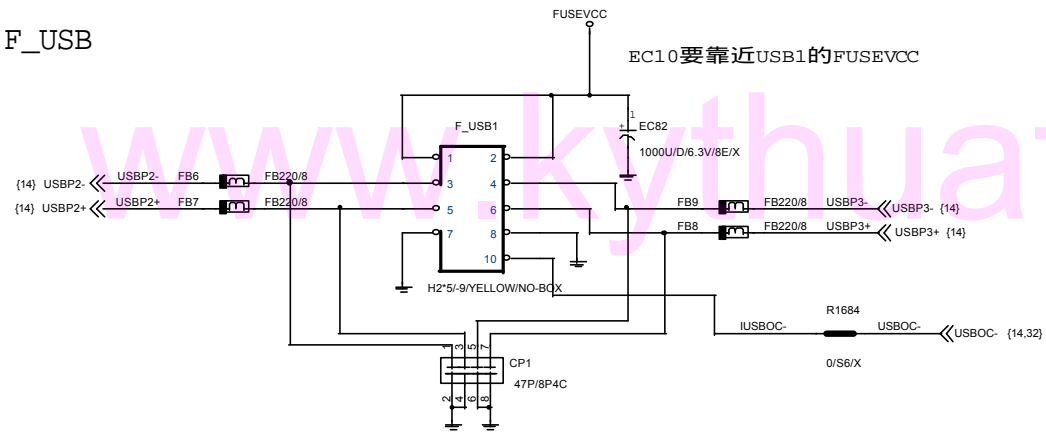
COMB



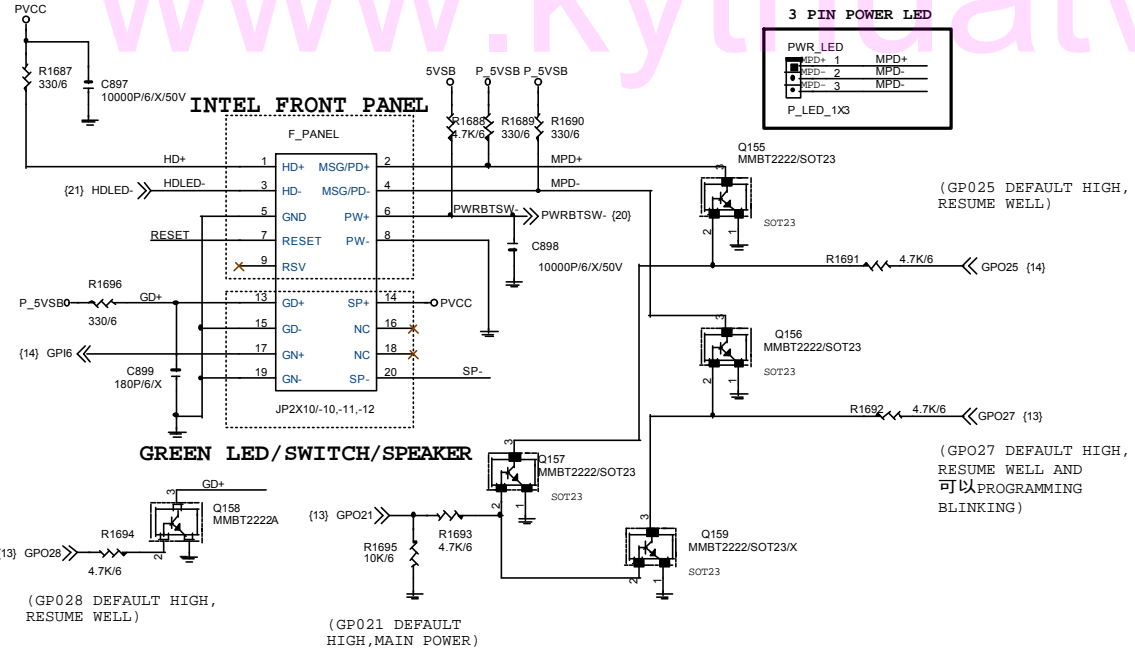
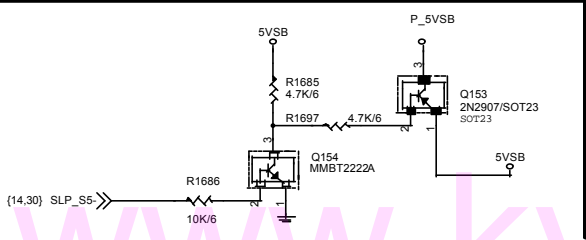
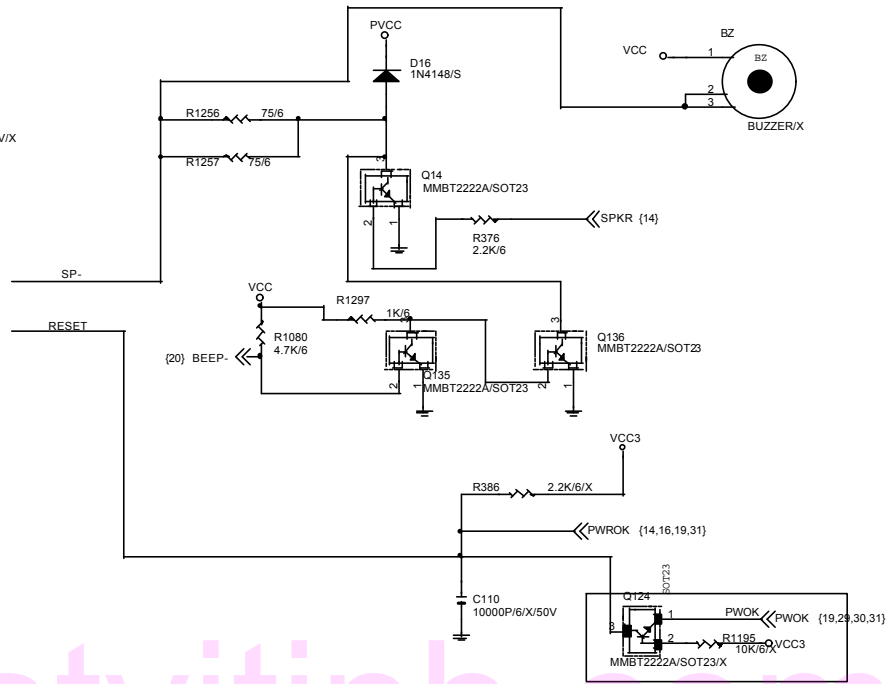
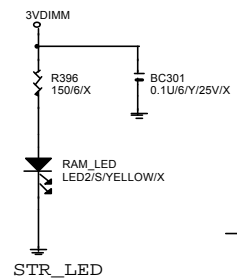
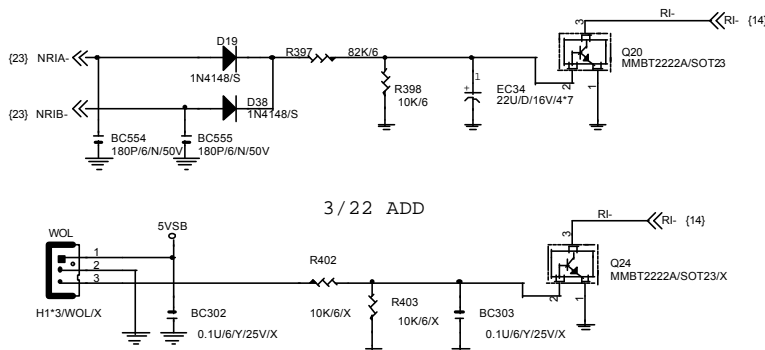
PRT PORT



F_USB



SIGABYTE			
Title			
ICH USB+LAN PORT			
Size	Document Number	Rev	
B	GA-8ID533	1.1	
Date:	Wednesday, November 13, 2002	Sheet	24 of 34



3 PIN POWER LED

PWR_LED	MPD+
LED- 1	MPD+
LED- 2	MPD-
LED- 3	MPD-
P_LED_1X3	

States for green LED

LED States	ACPI States	GPO28
ON	S1, S3	0
OFF	S0, S5	1

NO1 GPO35 只需在S1 PROGRAMMING LOW

States for a single-color power LED

LED States	ACPI States	GPO25	GPO27	GPO21
OFF	S1, S3, S5	1	1	NO1
Steady Green	S0	0	1	0
Blinking Green	S0 (message waiting)	0	B	0

States for a dual-color power LED

LED States	ACPI States	GPO25	GPO27	GPO21
OFF	S5	1	1	X
Steady Green	S0	0	1	0
Blinking Green	S0 (message waiting)	0	B	0
Steady Yellow	S1, S3	1	0	NO1
Blinking Yellow	S1, S3 (message waiting)	1	B	NO1

模組化線路

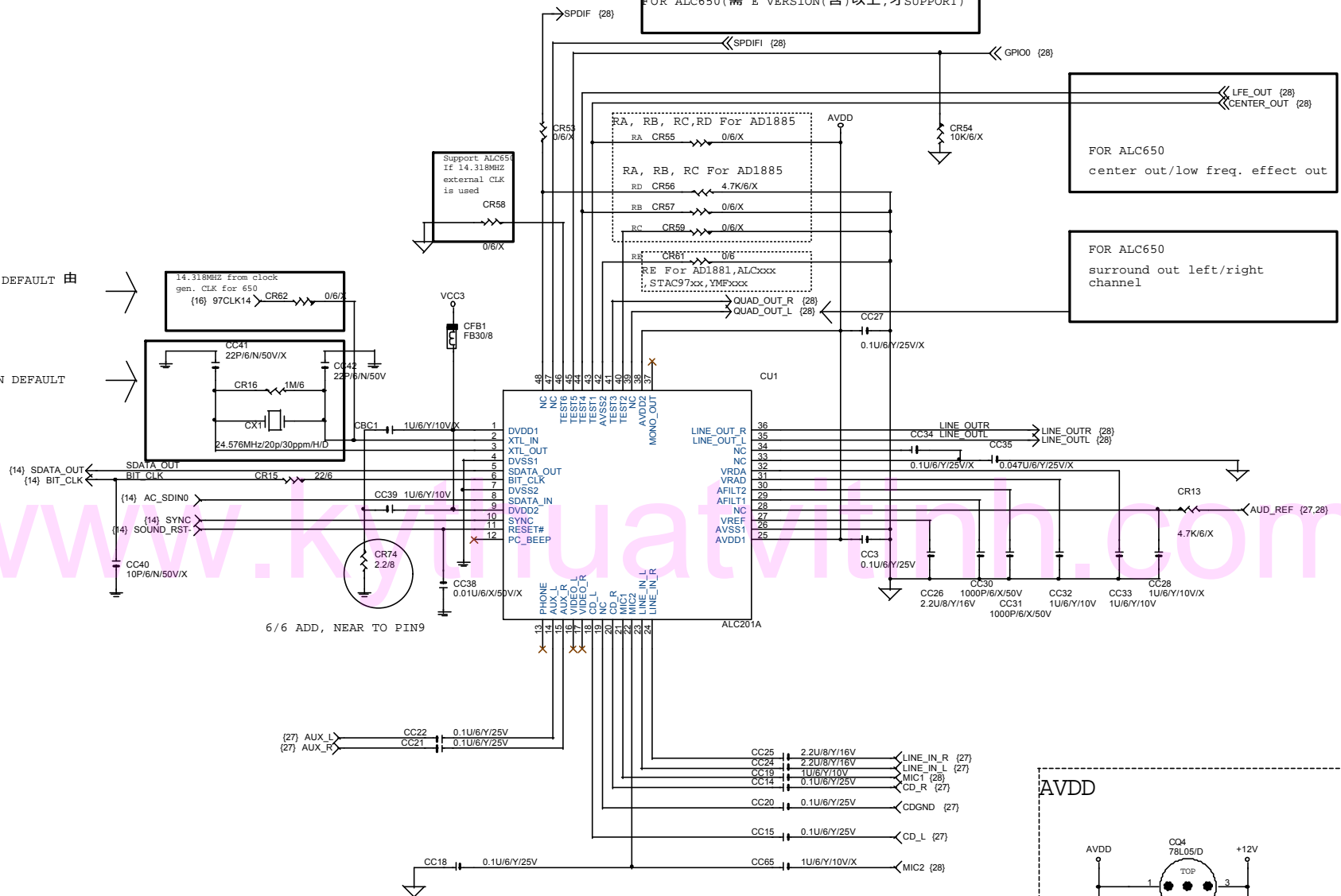
FOR ALC650 (需 E VERSION (含) 以上, 才 SUPPORT)

FOR ALC650
center out/low freq. effect out

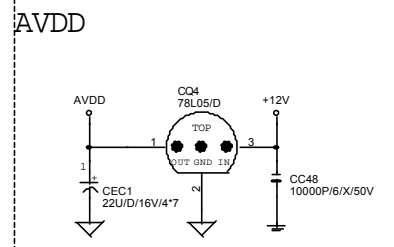
FOR ALC650
surround out left/right
channel

FOR 650 DESIGN DEFAULT 由
CLOCK GEN來

FOR 650 DESIGN DEFAULT
不上CRYSTAL



6/6 ADD, NEAR TO PIN9



SIGABYTE CORP.

title

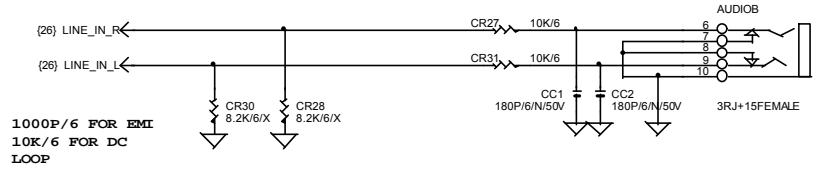
AC97

Size B	Document Number	Rev
	GA-8ID533	1.1

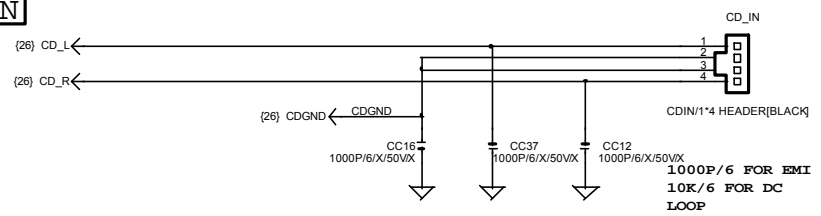
Date: Wednesday, November 13, 2002 Sheet 26 of 34

LINE-IN

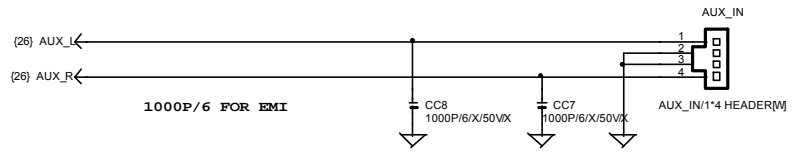
模組化線路



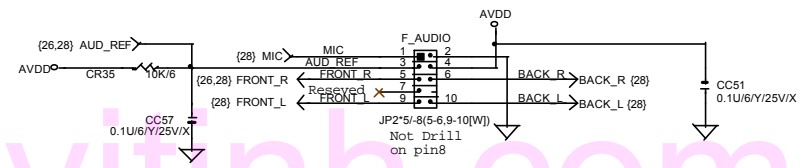
CDIN



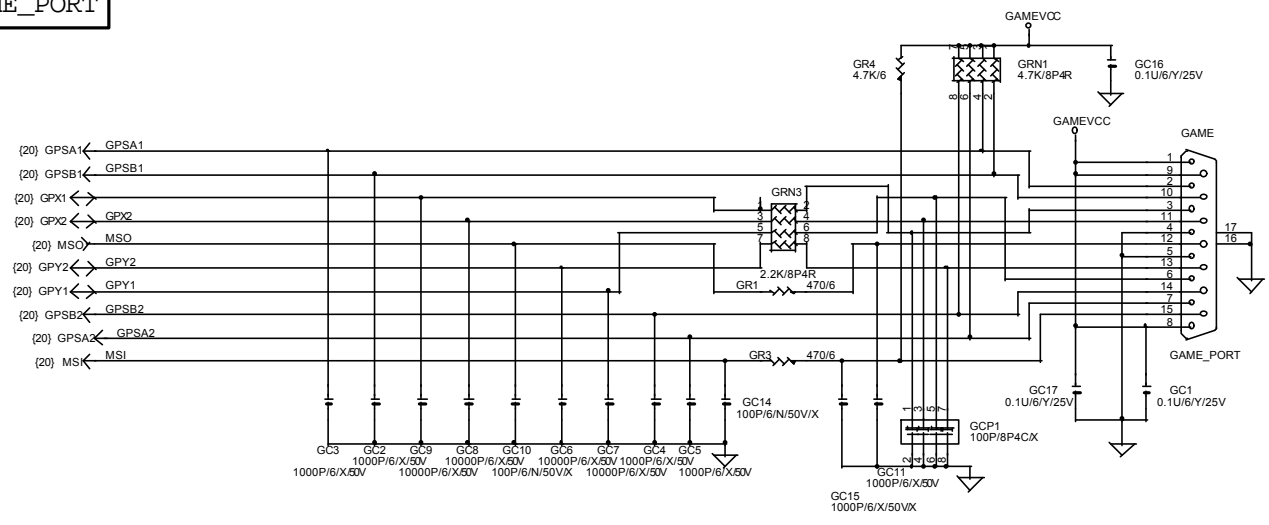
AUX_IN



INTEL FRONT AUDIO



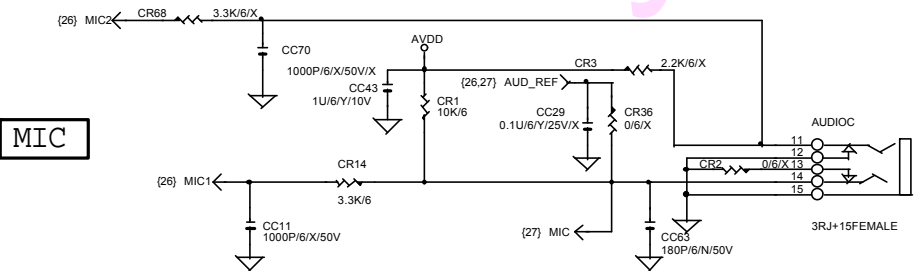
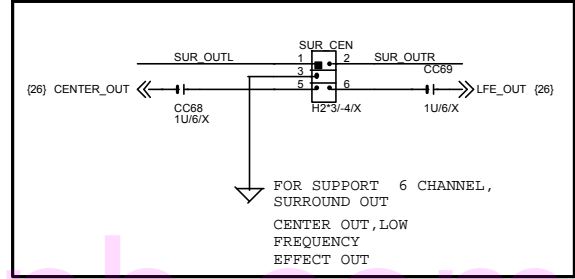
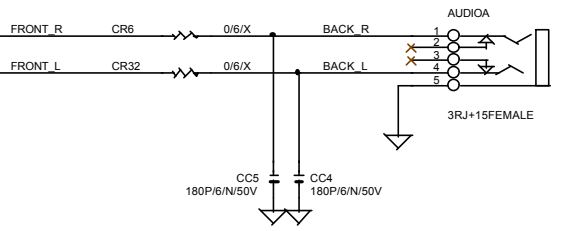
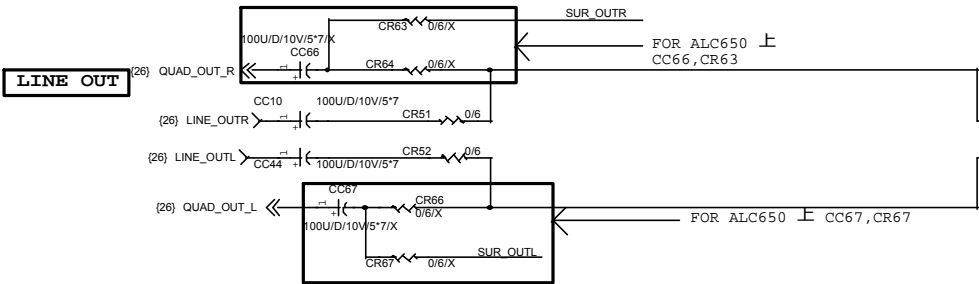
GAME_PORT



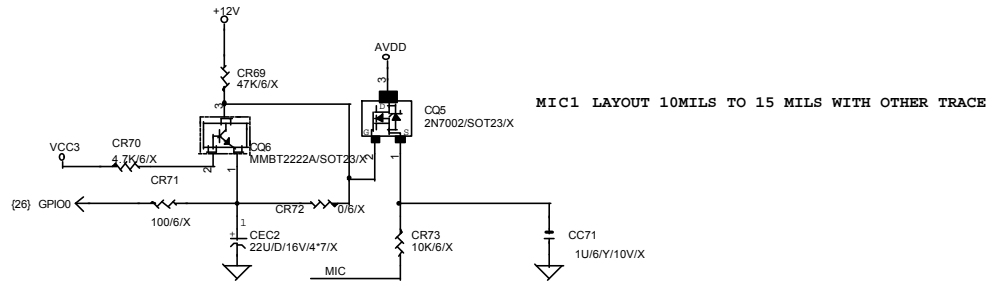
SIGABYTE CORP.		
Title		
PHONE JACK, GAME PORT		
Size	Document Number	Rev
Custom	GA-8ID533	1.1
Date:	Wednesday, November 13, 2002	Sheet 27 of 34

www.kythuatvithinh.com

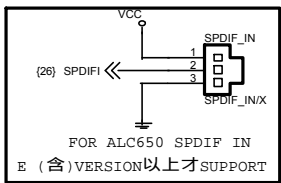
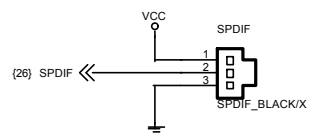
模組化線路



MIC



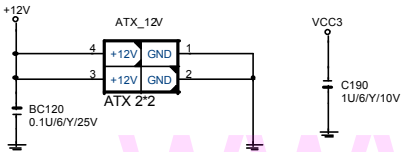
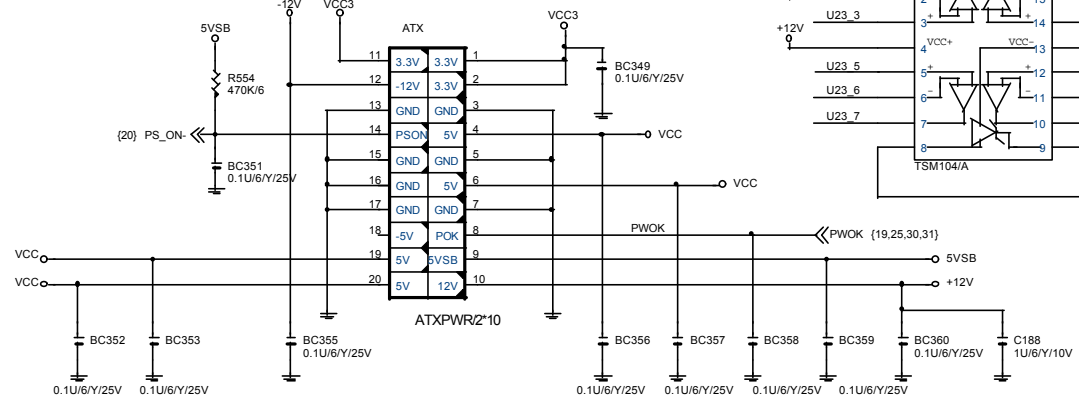
SPDIF



SIGABYTE CORP.		
Title AC97		
Size B	Document Number GA-8ID533	Rev 1.1
Date: Wednesday, November 13, 2002	Sheet 28	of 34

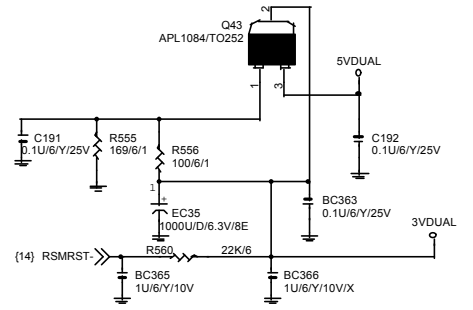
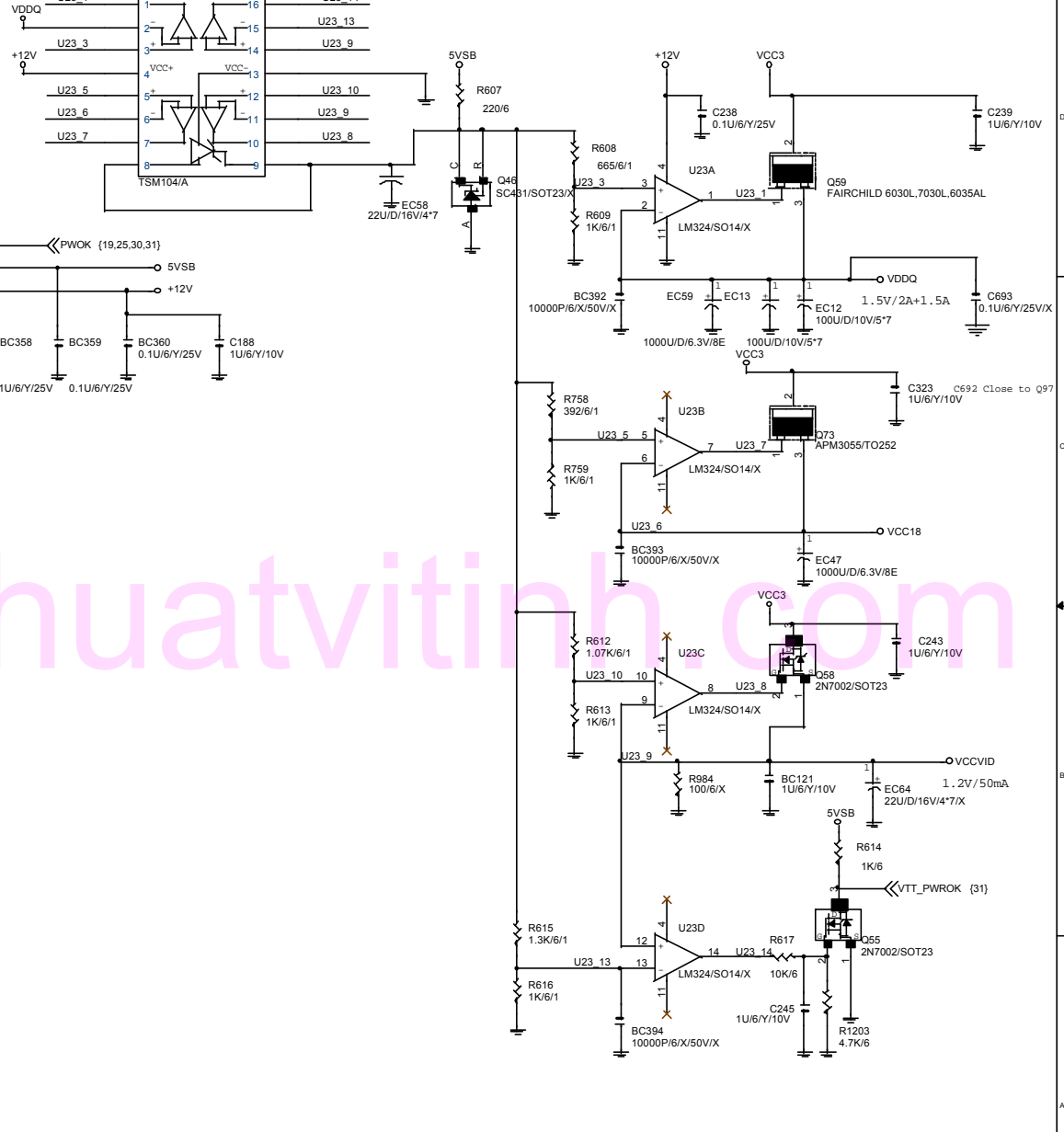
www.kythuatvitinh.com

ATX POWER CONNECTOR



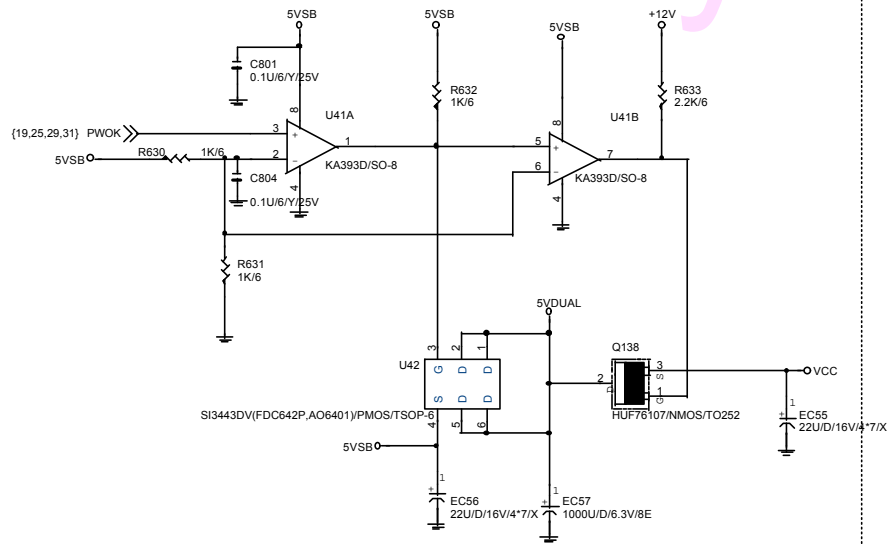
+12V TRACE
250MIL

COLAYOUT (與U23)

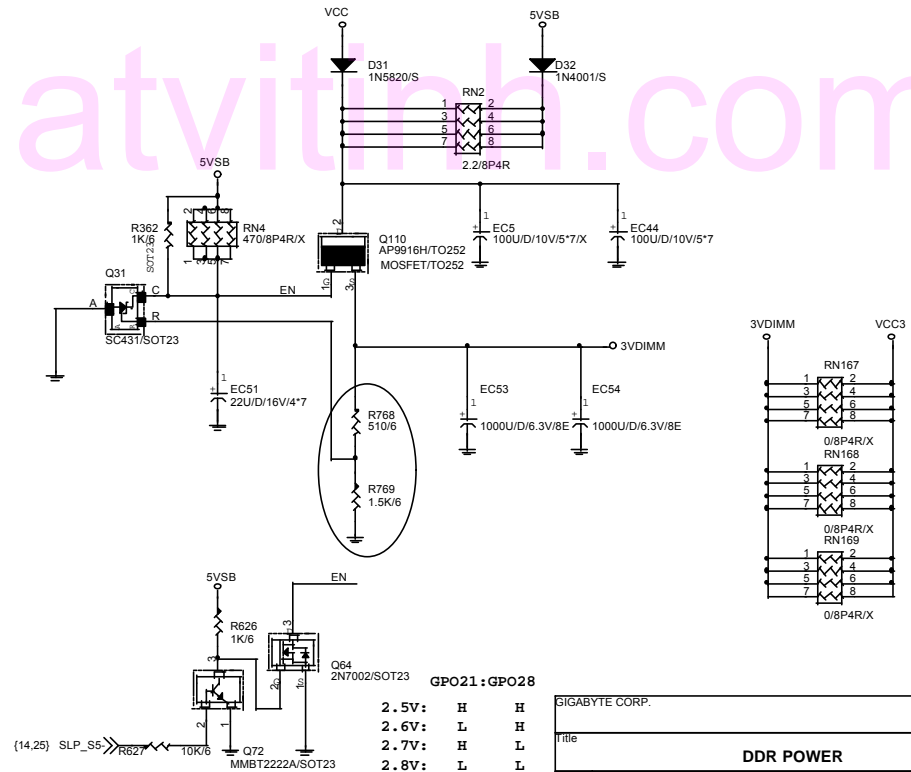


SIGABYTE CORP.			
Title			
Misc. PWR & ATX CONN.			
Size	Document Number	Rev	
B	GA-8ID533	1.1	
Date:	Wednesday, November 13, 2002	Sheet	29 of 34

1.25V VTT_DDR LINEAR SOLUTION



5VDUAL CIRCUIT

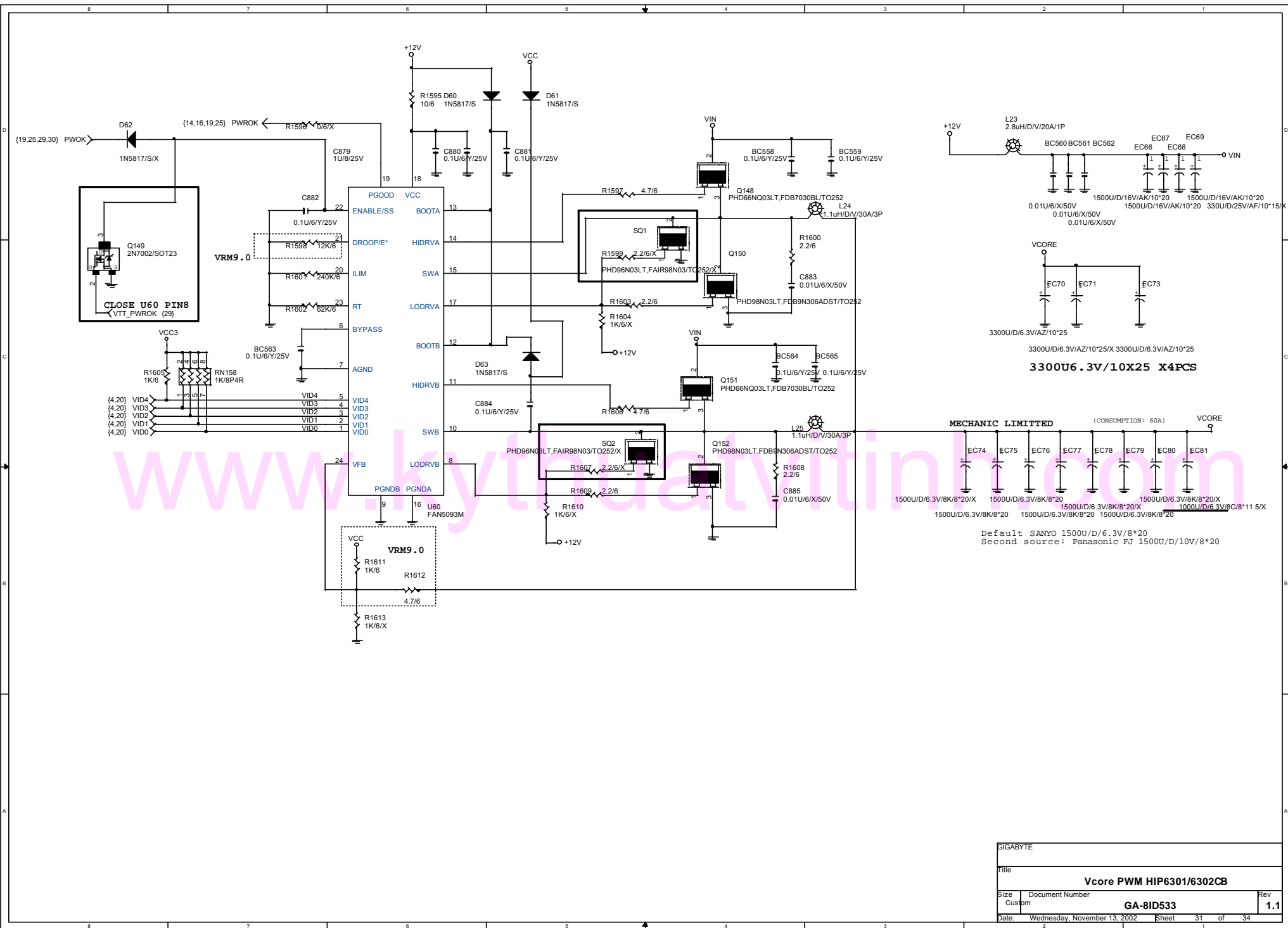


GPO21:GPO28

2.5V:	H	H
2.6V:	L	L
2.7V:	H	H
2.8V:	L	L

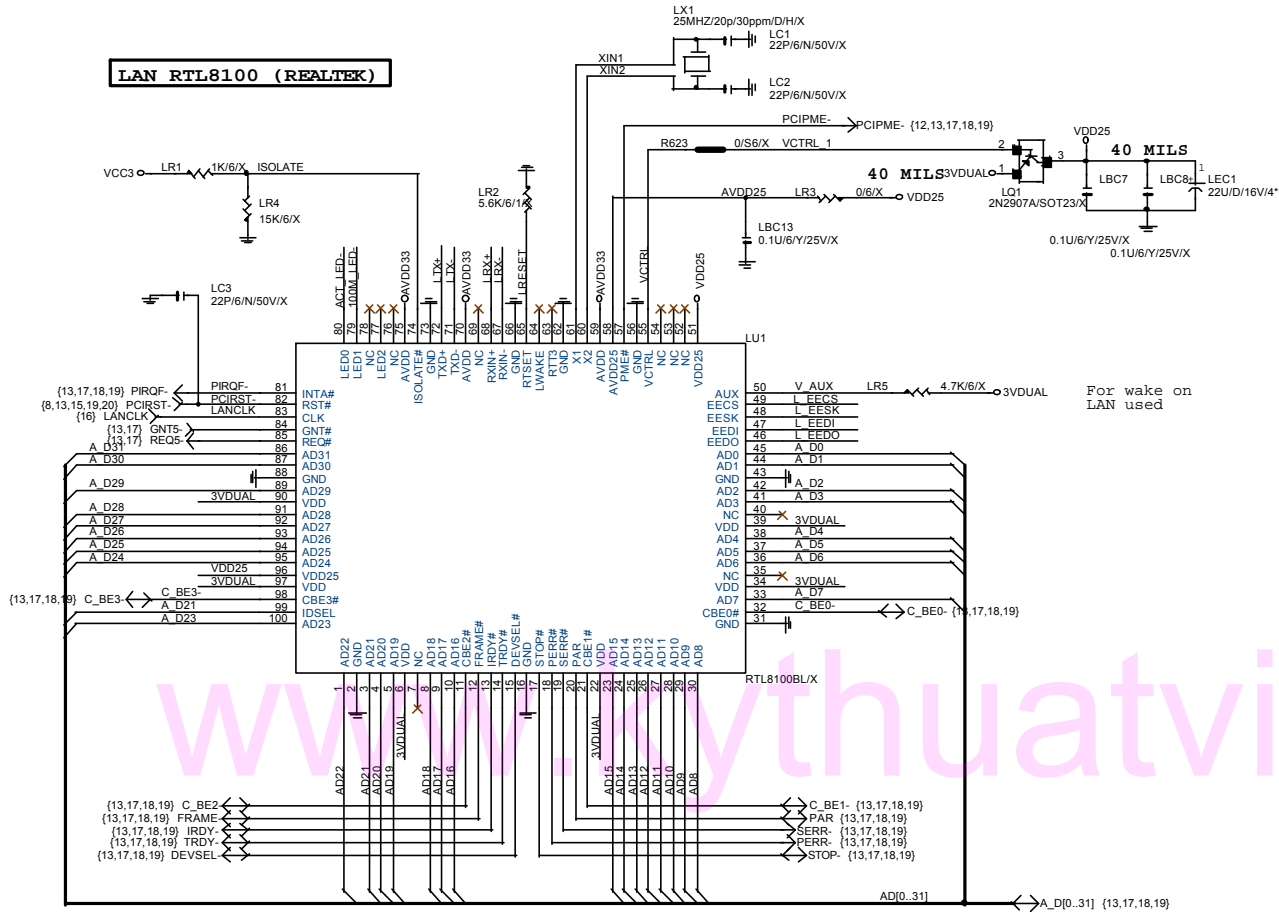
SIGABYTE CORP.		
title		
DDR POWER		
Size B	Document Number	Rev
	GA-8ID533	1.1
Date:	Wednesday, November 13, 2002	Sheet 30 of 34

www.kythuatvitinh.com

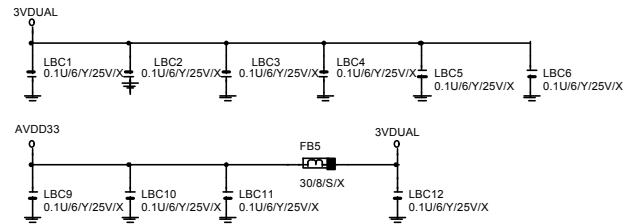


SIGABYTE			
Title			
Vcore PWM HIP6301/6302CB			
Size	Document Number	Rev	
Custom	GA-8ID533	1.1	
Date:	Wednesday, November 13, 2002	Sheet	31 of 34

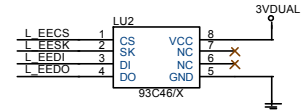
LAN RTL8100 (REALTEK)



POWER DECOUPLING CAP

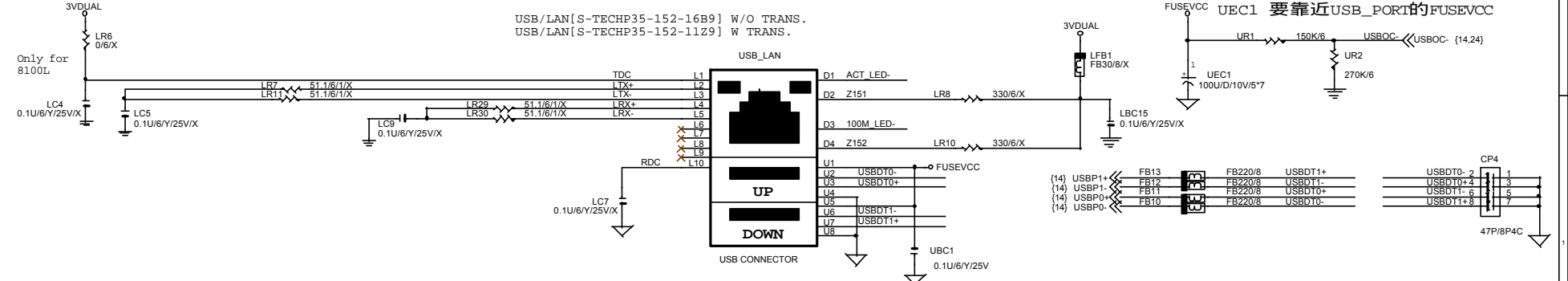


LAN EEPROM



8100/8100B NOTE:
 Pin 65 pull-down (5.6K for 8100B)
 Pin 65 pull-down (1.8K for 8100)
 R502 remove pull-down (1.8K for 8100B)
 R502:0/6 pull-down (1.8K for 8100)

USB/LAN[S-TECHP35-152-16B9] W/O TRANS.
 USB/LAN[S-TECHP35-152-1129] W TRANS.



GIGABYTE			
File LAN RTL8100B			
Size	Document Number	Rev	
Custom	GA-8ID533	1.1	
Date:	Wednesday, November 13, 2002	Sheet	32 of 34

GIGABYTE GA-8ID533 GPIO LIST





Revision 1.1

SHEET TITLE

GPI					
GPI0/REQA-	NA	PULL 8.2K TO VCC3			
GPI1/REQ5-		PULL 2.7K TO VCC3			
GPI2	ID	PULL 8.2K TO VCC3 (default)			
GPI3/PIRQF-		PULL 8.2K TO VCC3			
GPI4/PIRQG-		PULL 8.2K TO VCC3			
GPI5/PIRQH-	ID	PULL 8.2K TO VCC3 (default)			
GPI6		PULL 8.2K TO VCC3(GREEN BUTTON)			
GPI7		PULL DOWN 10K TO GND (DETECT DUAL BIOS)			
GPI8	ID	PULL 8.2K TO VCC3 (default)			
GPI9	NA	NOT IMPLEMENTED			
GPI10	NA	NOT IMPLEMENTED			
GPI11		PULL 4.7K TO 3VDUAL (SMBALERT)			
GPI12		PULL 8.2K TO 3VDUAL (PME-)			
GPI13		CNR_PRIMARY			
GPI14	NA	NOT IMPLEMENTED			
GPI15	NA	NOT IMPLEMENTED			
MODEL		GPI2	GPI5	GPI8	
8IEXP	ID	H	H	H	
8IEX	ID	H	H	L	
SOUND		ENABLE	PCI_F0	CLK_GEN	
LAN		ENABLE	PCI_F0	CLK_GEN	

SHEET TITLE

GPO			
GPO16	NA	PULL 8.2K TO VCC3(CAN'T PULL DOWN)因為會decode bios address 不正確:FF	
GPO17		PULL 8.2K TO VCC3 (GNT5-)	
GPO18	NA	PULL 8.2K TO VCC3 此OUTPUT 會TOGGLE,(在開機時),BIOS POST OK	
GPO19		PULL 8.2K TO VCC3 (DUAL BIOS)	
GPO20		PULL 8.2K TO VCC3 (DUAL BIOS)	
GPO21		PULL 8.2K TO VCC3 (DIMM OVER VOLTAGE)	
GPO22		PULL 8.2K TO VCC3 (AGP OVER VOLTAGE)	
GPO23		PULL 8.2K TO VCC3 (AGP OVER VOLTAGE)	
GPO24		PULL 1K TO 3VDUAL (TOP BLOCK)	
GPO25		PULL 4.7K TO 3VDUAL (BIOS WRITE PROTECT)	
GPO26		NOT IMPLEMENTED	
GPO27		PULL 8.2K TO 3VDUAL (LAN EN/DIS)	
GPO28		PULL 8.2K TO 3VDUAL (DIMM OVER VOLTAGE)	
GPO32		PULL 8.2K TO 3VDUAL (CPU OVER VOLTAGE)	

	COMPONENT SIDE (0.5 oz. Copper)
	VCC SIDE (1 oz. Copper)
	GND SIDE (1 oz. Copper)
	SOLDER SIDE (0.5 oz. Copper)

GIGABYTE			
Title GPIO LIST			
Size	Document Number	Rev	
Custom	GA-8ID533	1.1	
Date:	Wednesday, November 13, 2002	Sheet	33 of 34

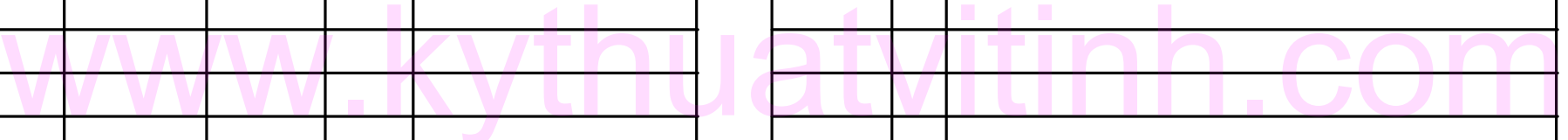
GIGABYTE GA-8ID533 PCI ROUTING LIST

Revision 1.1

SHEET TITLE

SHEET TITLE

PCI ROUTING	PIRQ-	REQ-/GNT-	IDSEL-	CLOCK
PCI1	PIRQC/F/G/A-	0REQ-	A_D16-	PCLK1
PCI2	PIRQF/G/A/C-	1REQ-	A_D17-	PCLK2
PCI3	PIRQG/A/C/F-	2REQ-	A_D18-	PCLK3
PCI4	PIRA/C/F/G-	3REQ-	A_D19-	PCLK4
PCI5	PIRQC/F/G/A-	4REQ-	A_D20-	PCLK5
AGP	PIRQA/B-	GREQ-	NA	AGPCLK



	COMPONENT SIDE
	VCC SIDE
	GND SIDE
	SOLDER SIDE
	(0.5 oz. Copper)

GIGABYTE

PCI ROUNT LIST

Size	Document Number	Rev
Custom	GA-8ID533	1.1
Date:	Wednesday, November 13, 2002	Sheet 34 of 34