

Resistor-Programmable SOT Temperature Switches

Features

- $\pm 0.5^{\circ}\text{C}$ Typical Threshold Accuracy
- $\pm 4.7^{\circ}\text{C}$ (max) Threshold Accuracy (0°C to $+125^{\circ}\text{C}$)
- Temperature Threshold Set by a 1% External Resistor
- Low $33\mu\text{A}$ Supply Current
- Open-Drain Active Low Output Stage
- Guaranteed Reset Valid to $V_{\text{CC}} = 0.8\text{V}$
- Pin-Selectable 2°C or 10°C Hysteresis
- SOT-23-5, SOT-23-6 and TDFN2X2-8 Packages

Applications

- μP Temperature Monitoring in High-Speed
- Computers
- Temperature Control
- Temperature Alarms
- Fan Control
- Automotive

General Description

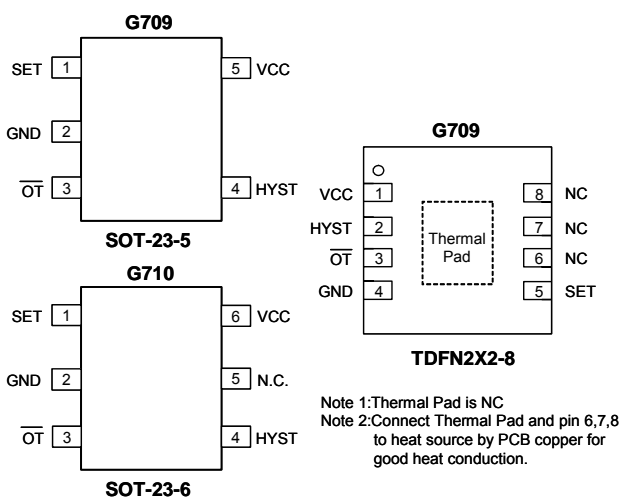
The G709/G710 are fully integrated, resistor programmable temperature switches with thresholds set by an external resistor. They require only one external resistor to set the temperature threshold within a wide 0°C to $+125^{\circ}\text{C}$ temperature range. The G709/G710 provides an open-drain, active low output. These switches operate with a $+2.7\text{V}$ to $+5.5\text{V}$ single supply while providing a temperature threshold accuracy of $\pm 0.5^{\circ}\text{C}$ (typ) or $\pm 4.7^{\circ}\text{C}$ (max). They typically consume $33\mu\text{A}$ supply current. Hysteresis is pin selectable to 2°C or 10°C .

Ordering Information

ORDER NUMBER	ORDER NUMBER (Pb free)	MARKING	TEMP. RANGE	PACKAGE
G709T1U	G709T1Uf	709xx	$-40^{\circ}\text{C}\sim+125^{\circ}\text{C}$	SOT-23-5
G709RCU	G709RCUf	709	$-40^{\circ}\text{C}\sim+125^{\circ}\text{C}$	TDFN2X2-8
G710TBU	G710TBUf	710xx	$-40^{\circ}\text{C}\sim+125^{\circ}\text{C}$	SOT-23-6

Note:T1 : SOT-23-5 TB : SOT-23-6 RC:TDFN2X2-8
U : Tape & Reel

Pin Configuration



Typical Application Circuit

