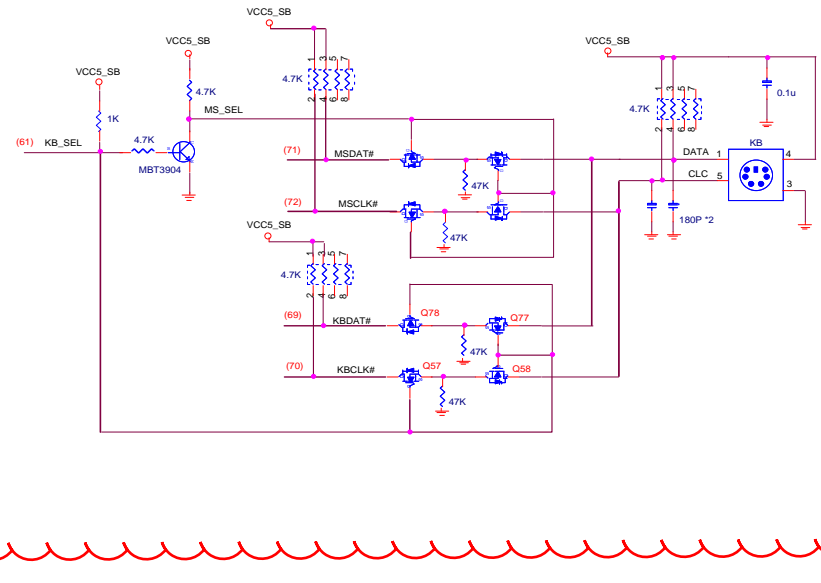
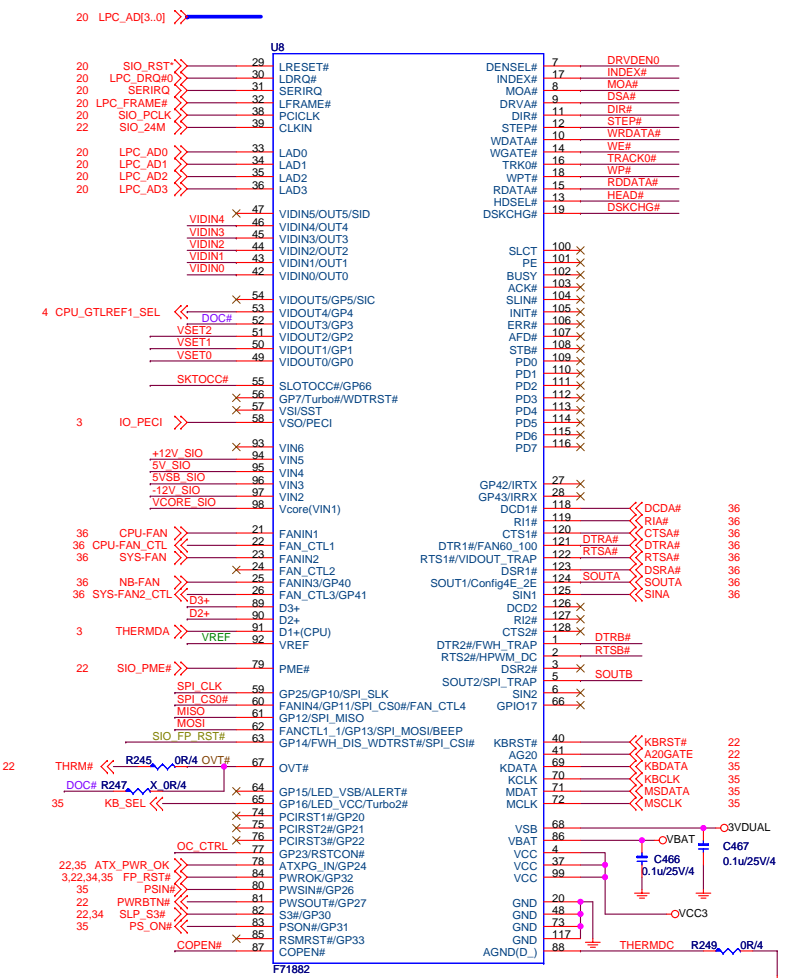


PS2 KEYBOARD & MOUSE CONNECTOR (MS-7551)

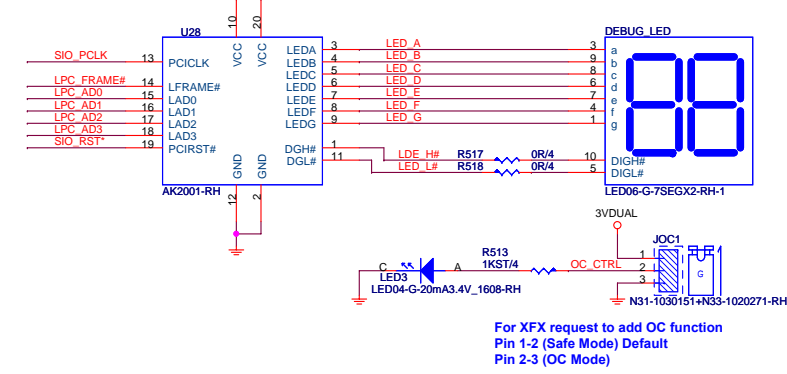


Super I/O

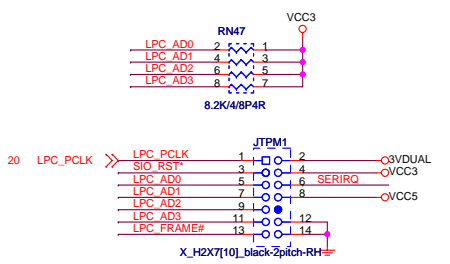
LPC SUPER I/O F71882



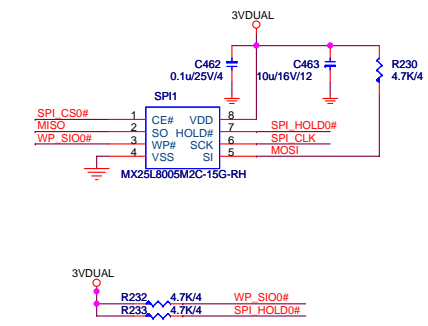
Debug LED Port



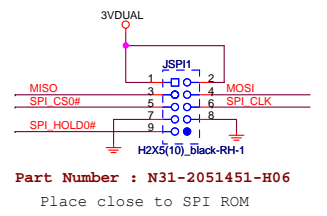
LPC DEBUG PORT



SPI 8M FLASH ROM

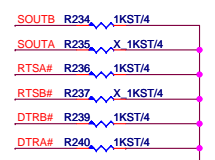


SPI DEBUG PORT



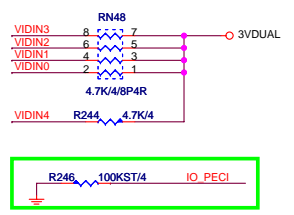
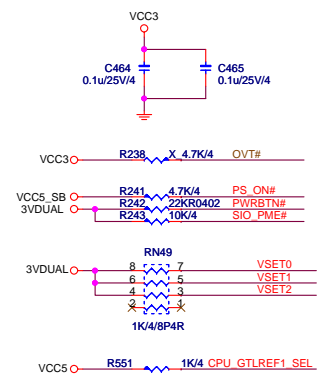
Part Number : N31-2051451-H06
Place close to SPI ROM

Strapping

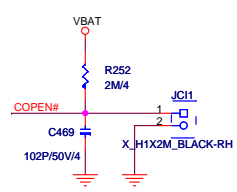


	Don't STUFF	STUFF
RTSB#	PWM FAN	LINEAR FAN
RTSA#	PIN49-54=VID_OUT	PIN49-54=GPIO
	PIN42-47=VIDIN	PIN42-47=VIDIN/OUT
SOUTA	4E	2E
DTRB#, SOUTB	SPI_DISABLE	SPI_ENABLE
DTRA#	FAN START DUTY 60%	FAN START DUTY 100%

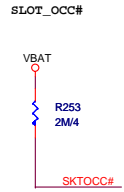
SIO_FP_RST# X OR# R248 FP_RST#
FOR DUAL BIOS



CASE OPEN CIRCUIT

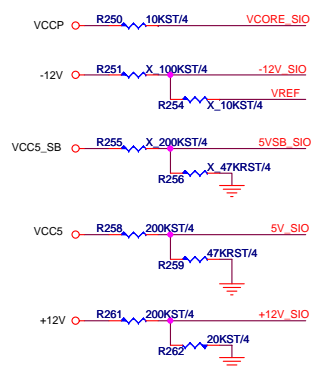


CPU VID reset



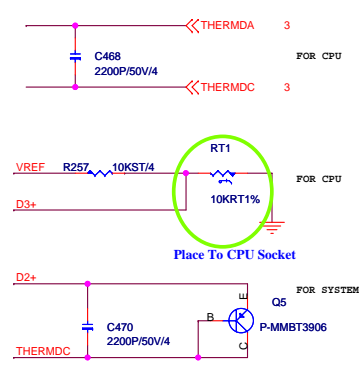
VOLTAGE SENSING (H/W Monitor).

The best voltage input level is about 1V.

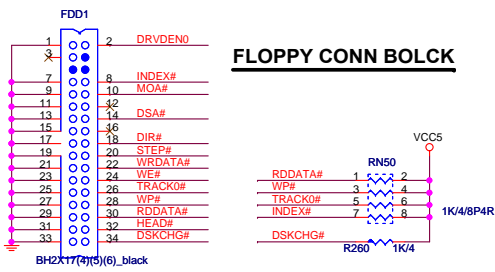


Temperature Sensing

DIODE SENSING CIRCUIT



FLOPPY CONN BOLCK



MICRO-STAR INT'L CO.,LTD

MS-7567

Size Custom Document Description
LPC-Super I/O F71882FG Rev 1.2

Date: Tuesday, September 09, 2008 Sheet 28 of 44