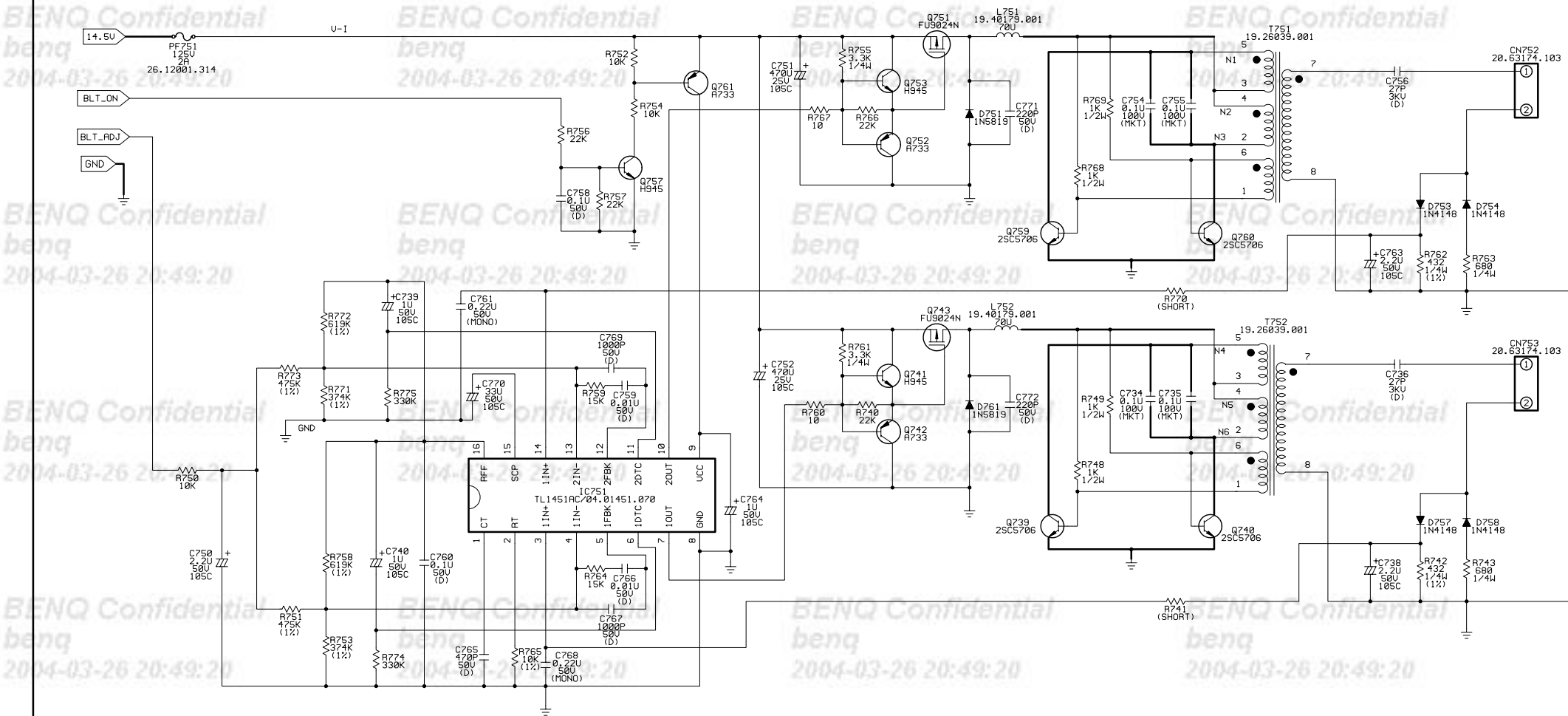


#3,#4 : +3.3V is for AU XN05 panel  
+5V is for LG XN06 panel

- NOTES:
1. Resistor values are in ohm,K=1,000 ohm,M=1,000,000 ohm
  2. All resistors are 1/8 watt,5% except where otherwise indicated
  3.  $\text{---} \text{---} \text{---}$   $\text{---} \text{---} \text{---}$   $\text{---} \text{---} \text{---}$  Represents PCB common ground.

<b>BENQ</b>			
Q5T3 POWER BD		SCHEMATICS	
SIZE A4	L0B02S03.SCH	Project Code. 99.L0B72.001	REV. 1
DATE : 12/29/2003		Sheet 1 OF 2	
Doc.No. 99.L0B72.000-C3-304-002			
Prepared By ANGEL HU 12/29/2003	Reviewed By RICHARD WU 12/29/2003	Approved By H.J. WONG 12/29/2003	



NOTES: 1. Resistor values are in ohm, K=1,000 ohm, M=1,000,000 ohm  
 2. All resistors are 1/8 watt, 5% except where otherwise indicated  
 3.  $\nabla$   $\nabla$   $\nabla$  Represents PCB common ground.

<b>BENQ</b>			
QST3 POWER BD		SCHEMATICS	
SIZE A4	L0B02S03.SCH	Project Code. 99.L0B72.001	REV. 1
DATE : 12/29/2003	Sheet	2	OF 2
Doc.No. 99.L0B72.000-C3-304-002			
Prepared By ANGEL HU 12/29/2003	Reviewed By RICHARD WU 12/29/2003	Approved By H.J. WONG 12/29/2003	