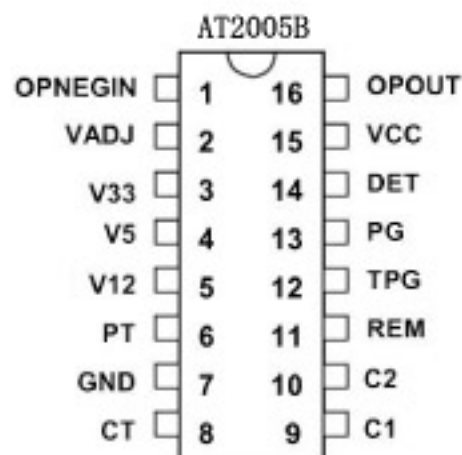


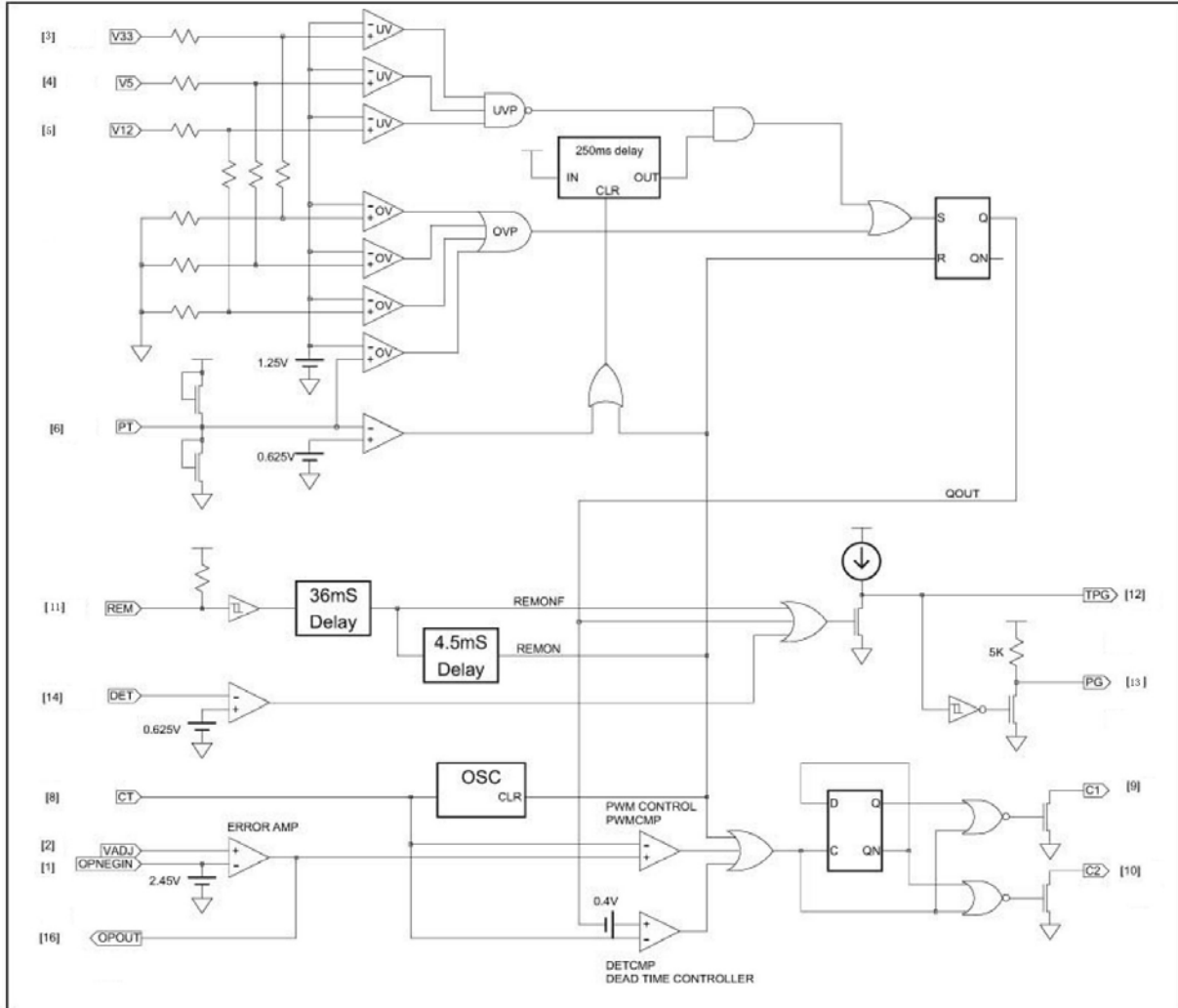
PIN CONFIGURATION



PIN DESCRIPTION

Pin No.	Pin Name	TYPE	FUNCTION
1	OPNEGIN	I	OP COMPENSATION NEGATIVE INPUT
2	VADJ	I	VOLTAGE ADJUST
3	V33	I	OVP/UVIP INPUT FOR 3.3V
4	V5	I	OVP/UVIP INPUT FOR 5V
5	V12	I	OVP/UVIP INPUT FOR 12V
6	PT	I	EXTRA OVP INPUT PROTECTION
7	GND	P	GROUND
8	CT	---	OSCILLATION FREQUENCY BY SETTING CAP
9	C1	O	OUTPUT 1
10	C2	O	OUTPUT 2
11	REM	I	REMOTE ON/OFF INPUT. IF REM="LOW" THAT MEANS THE MAIN SMPS IS OPERATION. WHEN REM="HIGH", THE MAIN SMPS IS TURNED-OFF.
12	TPG	---	POWER GOOD DELAY TIME
13	PG	O	POWER GOOD SIGNAL. IF PG="HIGH" MEANS "POWER GOOD" AND PG="LOW" MEANS "POWER FAIL".
14	DET	I	POWER GOOD SIGNAL INPUT
15	VCC	P	SUPPLY VOLTAGE
16	OPOUT	O	OP COMPENSATION OUTPUT

BLOCK DIAGRAM



ABSOLUTE MAXIMUM RATINGS, VCC=5.5V

CHARACTERISTICS	SYMBOL	VALUE	Unit
Supply voltage	VCC	5.5	V
Drain output voltage	Vcc1, Vcc2	5.5	V
Drain output current	Icc1, Icc2	200	mA
Power dissipation	Pd	200	mW
Operating temperature	Topr	-10 ~ +70	°C
Storage temperature	Tstg	-65 ~ +150	°C

TEMPERATURE CHARACTERISTICS, VCC=5V

CHARACTERISTICS	SYMBOL	Min.	Typ.	Max.	Unit
Coefficient of Vref (-10°C ~ +85°C)			0.01		%/°C

ELECTRICAL CHARACTERISTICS, TA=25°C, V_{CC}=5V,

CHARACTERISTICS	SYMBOL	TEST CONDITION	Min.	Typ.	Max.	Unit
-----------------	--------	----------------	------	------	------	------

DEAD TIME CONTROL SECTION

INPUT THRESHOLD VOLTAGE	Vthdt	ZERO DUTY CYCLE		3.0	3.3	V
		MAX. DUTY CYCLE		0.1		

ERROR AMP SECTION

CLOSE LOOP VOLTAGE GAIN		0.5V ~ 3.5V		65		dB
CROSS OVER POINT		0dB		320		KHZ
OPNEG BIAS VOLTAGE		OPNEG OPEN	2.38	2.45	2.52	V

OUTPUT SECTION

OUTPUT SATURATION VOLTAGE	Vdssat	Id=200mA		1.1	1.3	V
DRAIN OFF-STATE CURRENT	Idoff	Vcc=Vd=Vs=0V		2	10	uA
RISING TIME	Tr			100	200	ns
FALLING TIME	Tf			50	200	ns

PROTECTION SECTION

OVER VOLTAGE PROTECTION (OVP)	V33		3.8	4.1	4.3	V
	V5		5.8	6.2	6.6	V
	V12		4.41	4.64	4.90	V
	PT		1.2	1.25	1.3	V
UNDER VOLTAGE PROTECTION (UVP)	V33		1.78	1.98	2.18	V
	V5		2.70	3.00	3.30	V
	V12		2.11	2.37	2.63	V
UVP DISABLE VOLTAGE	PT		0.55	0.62	0.68	V
UVP DELAY TIME	Td.uvp		100	250	500	ms

REMOTE ON/OFF SECTION

REM HIGH INPUT VOLTAGE	Vremh		2.0			V
REM LOW INPUT VOLTAGE	Vreml				0.8	V
REM PULL HIGH VOLTAGE	Vremo		2.0		5.25	V
REM DELAY TIME	Trem		30	36	42	ms
REM OFF DELAY TIME	Toff		3.5	4.5	5.5	ms

POWER GOOD SECTION

DETECTING INPUT VOLTAGE	Vdet		0.55	0.62	0.68	V
PG OUTPUT PULL-UP RESISTOR	Rpup.pg			5		KΩ
PG OUTPUT LOAD RESISTOR	Rpg		0.5	1	2	KΩ
CHARGING CURRENT FOR TPG	Ichg.tpg			30		uA
PG DELAY TIME	Td.pg	C=2.2uF	100	250	500	ms
OUTPUT SATURATION VOLTAGE	Vsat.pg	Ipg=10mA		0.2	0.4	V

TOTAL DEVICE

STANDBY SUPPLY CURRENT	Icc			10	20	mA
------------------------	-----	--	--	----	----	----

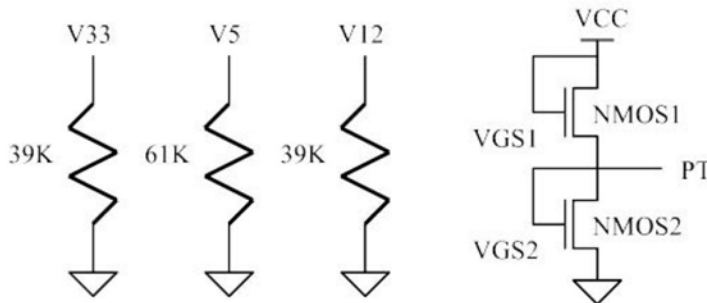
OSCILLATION SECTION

OSCILLATION FREQUENCY	Fosc	CT=2200P	50		60	KHZ
FREQ. CHANGE WITH TEMP.	Fosc/T	CT=2200p		2		%

APPLICATION NOTE

1. Input impedance:

Pin No.	Pin Name	Input impedance
3	V33	39KΩ
4	V5	61KΩ
5	V12	39KΩ
6	PT	279KΩ (VGS1=4.12V) 59.8KΩ (VGS2=0.88V) (VCC=5V, PT=0.88V)



2. Operation Frequency:

The period of the sawtooth is T_{OSC} :

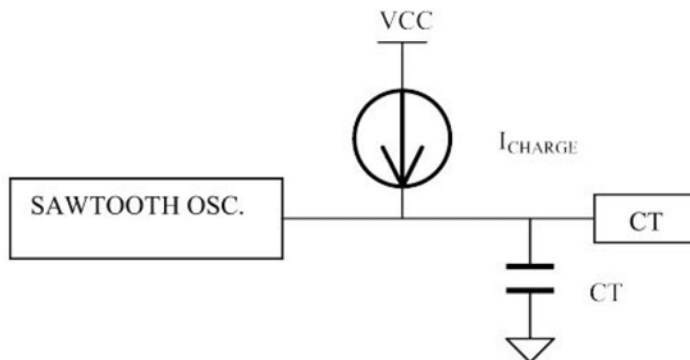
$$I_{CHARGE} = (1.25V / 6.1 K\Omega) * 2 = 410\mu A$$

$$T_{OSC} = (3.3V * CT) / I_{CHARGE} = (3.3V * 2200pF) / 410\mu A$$

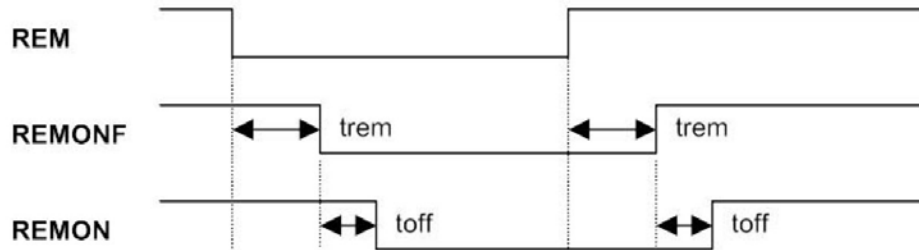
$$F_{OSC} = 1 / T_{OSC} = 56.5 KHZ$$

For Push-Pull applications:

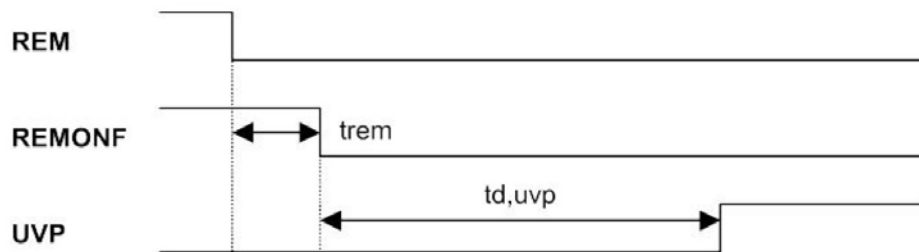
$$F_{PUSH-PULL} = 1 / 2 T_{OSC}$$



3. REMOTE ON/OFF :



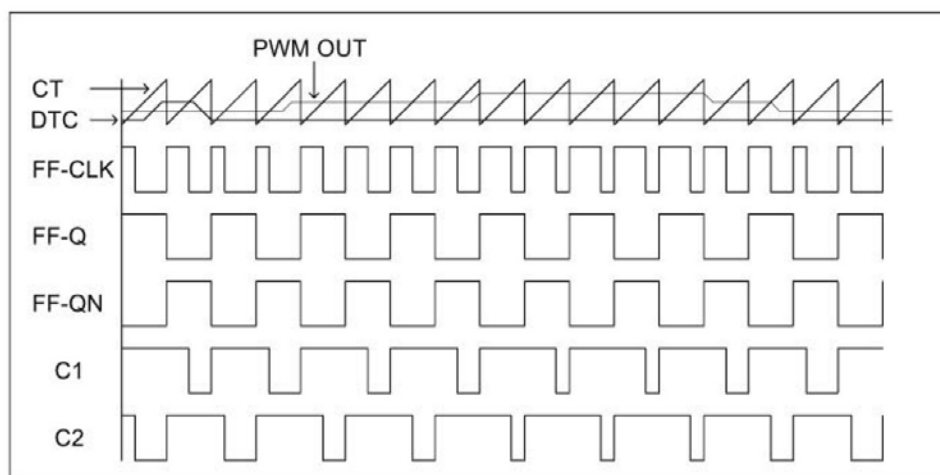
4. Under Voltage Protection Delay Time :



5. Pulse Width Modulation Block :

The output pulse width modulation is generated by comparison of the saw-tooth waveform from the capacitor C_T to the feedback of the voltage.

Therefore, an increase in feedback control signal amplitude cause a linear decrease of the output pulse width. The timing diagram is shown as below:



6. Protection Control of the Soft-Start:

The soft-start function is to reduce the large current surge during power-up & prevent the output voltages (V33/V5/V12) reach the Over Voltage Protection level . The circuit is shown in reference application circuit .

7. The function of “PT”: (Default floating $V_{PT} = 0.8V$)

This signal is prepared for extra Over Voltage Protection Input ($V_{PT} > 1.25V$) or another Disable Under Voltage Protection function ($V_{PT} < 0.62V$)

8. Reference Application Circuit:

