

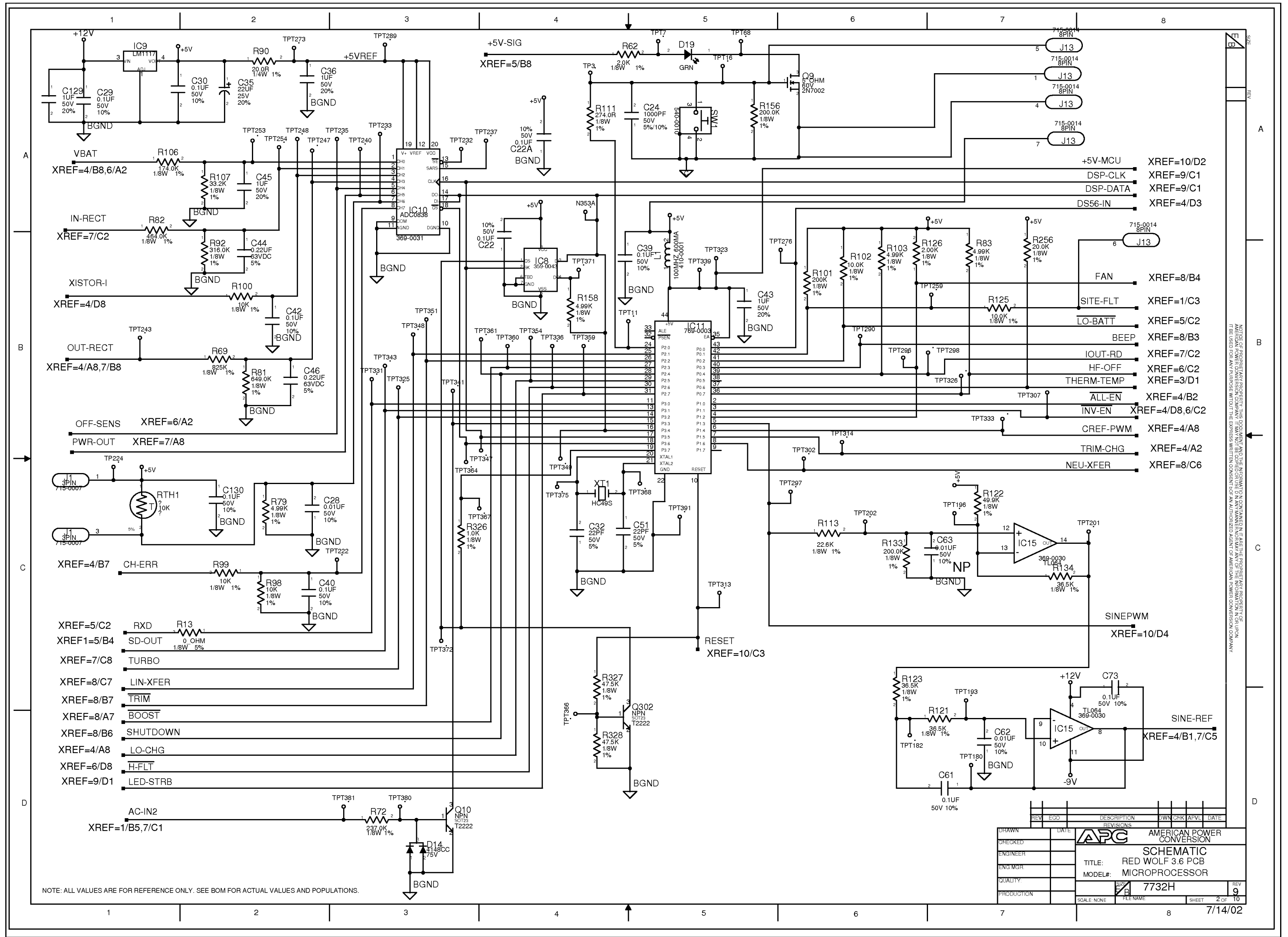
**NOTE 1.**  
 The BOM controls component values, quantities and reference designators for assemblies built from this circuit schematic.  
 NOTE: ALL VALUES ARE FOR REFERENCE ONLY. SEE BOM FOR ACTUAL VALUES AND POPULATIONS.

REV	ECO	DESCRIPTION	OWN	CHK	APVL	DATE

DRAWN	DATE	 <b>AMERICAN POWER CONVERSION</b> <b>SCHEMATIC</b> <b>RED WOLF 3.6 PCB POWER</b> MODEL#: 7732H SCALE: NONE FILENAME: 7732H SHEET 1 OF 10
CHECKED		
ENGINEER		
ENGR MGR		
QUALITY		
PRODUCTION		

NOTICE OF PROPRIETARY RIGHTS: THIS DOCUMENT AND THE INFORMATION CONTAINED HEREIN ARE THE PROPRIETARY PROPERTY OF AMERICAN POWER CONVERSION COMPANY. IT IS TO BE USED FOR ANY PURPOSE WITHOUT THE EXPRESS WRITTEN CONSENT FOR AN AUTHORIZED AGENT OF AMERICAN POWER CONVERSION COMPANY.



NOTE: ALL VALUES ARE FOR REFERENCE ONLY. SEE BOM FOR ACTUAL VALUES AND POPULATIONS.

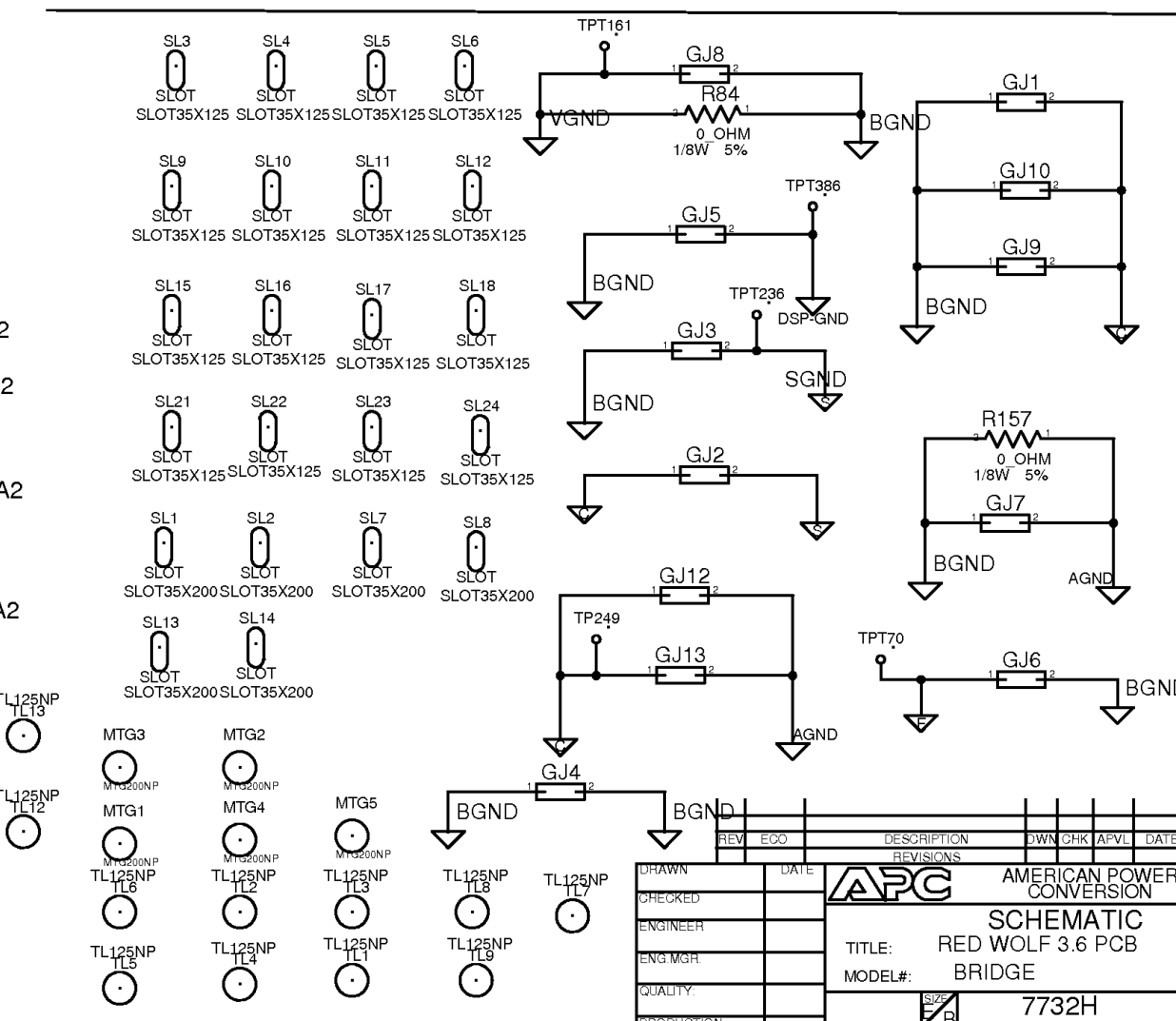
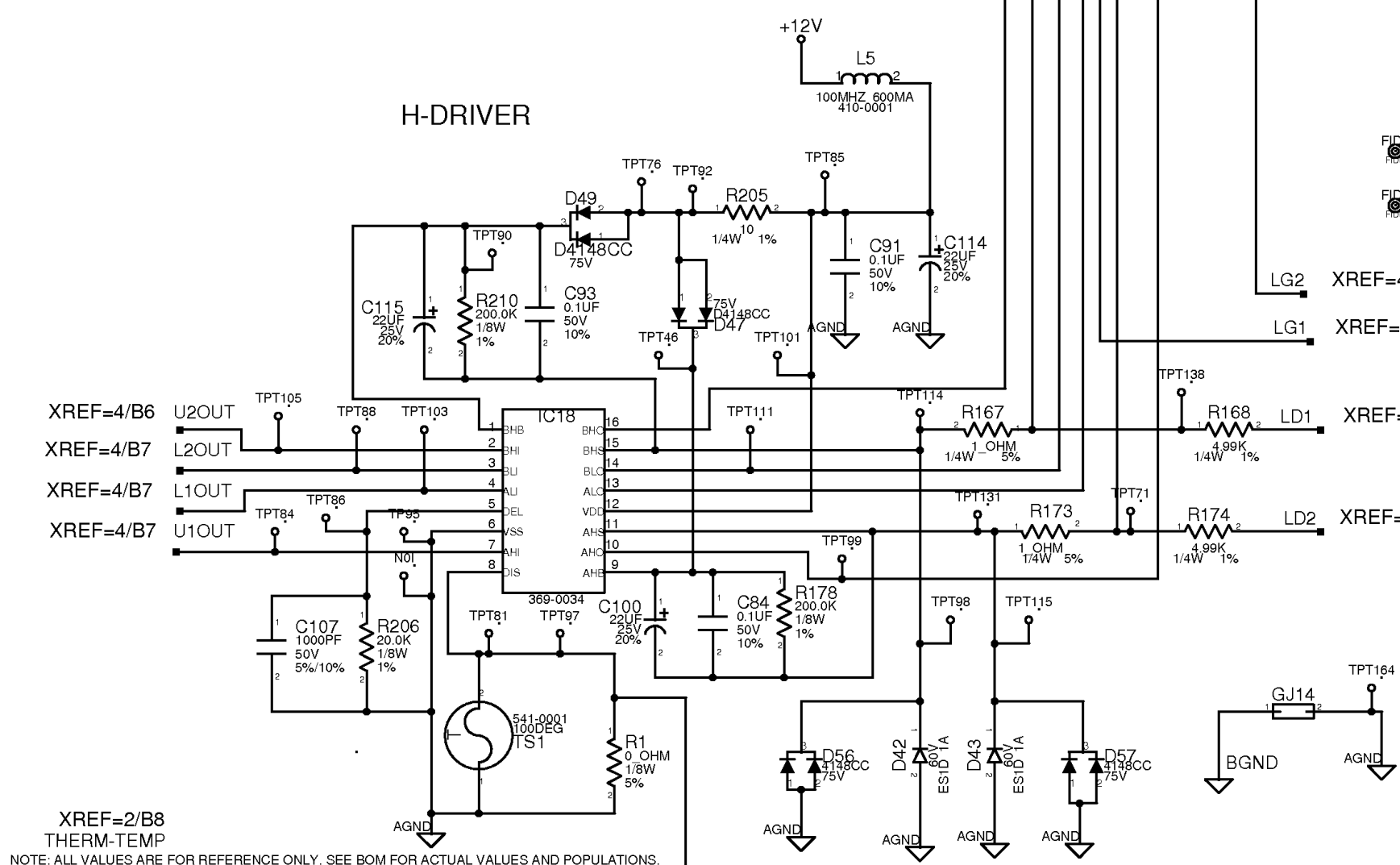
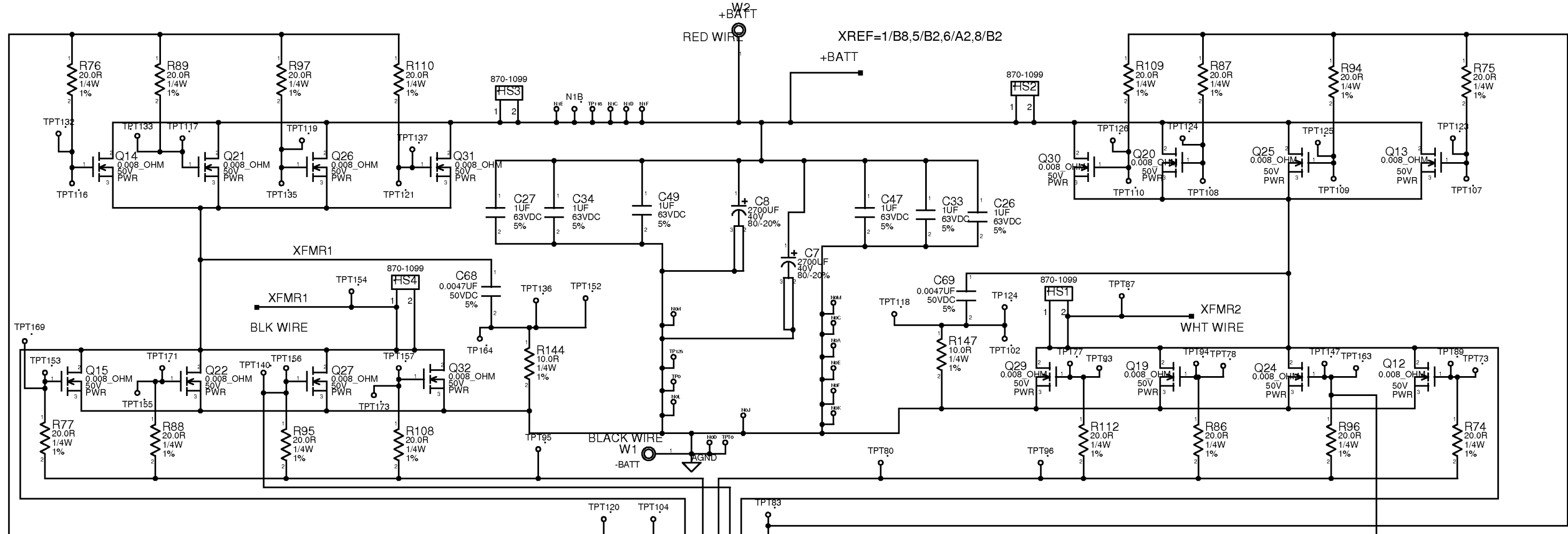
REV	ECO	DESCRIPTION	DWN	CHK	APVL	DATE

DRAWN	DATE	AMERICAN POWER CONVERSION	
CHECKED		SCHEMATIC	
ENGINEER		TITLE: RED WOLF 3.6 PCB	
ENG MGR		MODEL#: MICROPROCESSOR	
QUALITY		REV 9	
PRODUCTION		7732H	
SCALE: NONE		FILE NAME	SHEET 2 OF 10

7/14/02

NOTICE OF PROPRIETARY PROPERTY: THIS DOCUMENT AND THE INFORMATION CONTAINED HEREIN ARE THE PROPRIETARY PROPERTY OF AMERICAN POWER CONVERSION COMPANY. IT IS NOT TO BE REPRODUCED OR TRANSMITTED IN ANY FORM OR BY ANY MEANS, ELECTRONIC OR MECHANICAL, WITHOUT THE WRITTEN PERMISSION OF AMERICAN POWER CONVERSION COMPANY.



XREF=2/B8  
THERM-TEMP  
NOTE: ALL VALUES ARE FOR REFERENCE ONLY. SEE BOM FOR ACTUAL VALUES AND POPULATIONS.

REV	ECO	DATE	DESCRIPTION	DWN	CHK	APVL	DATE

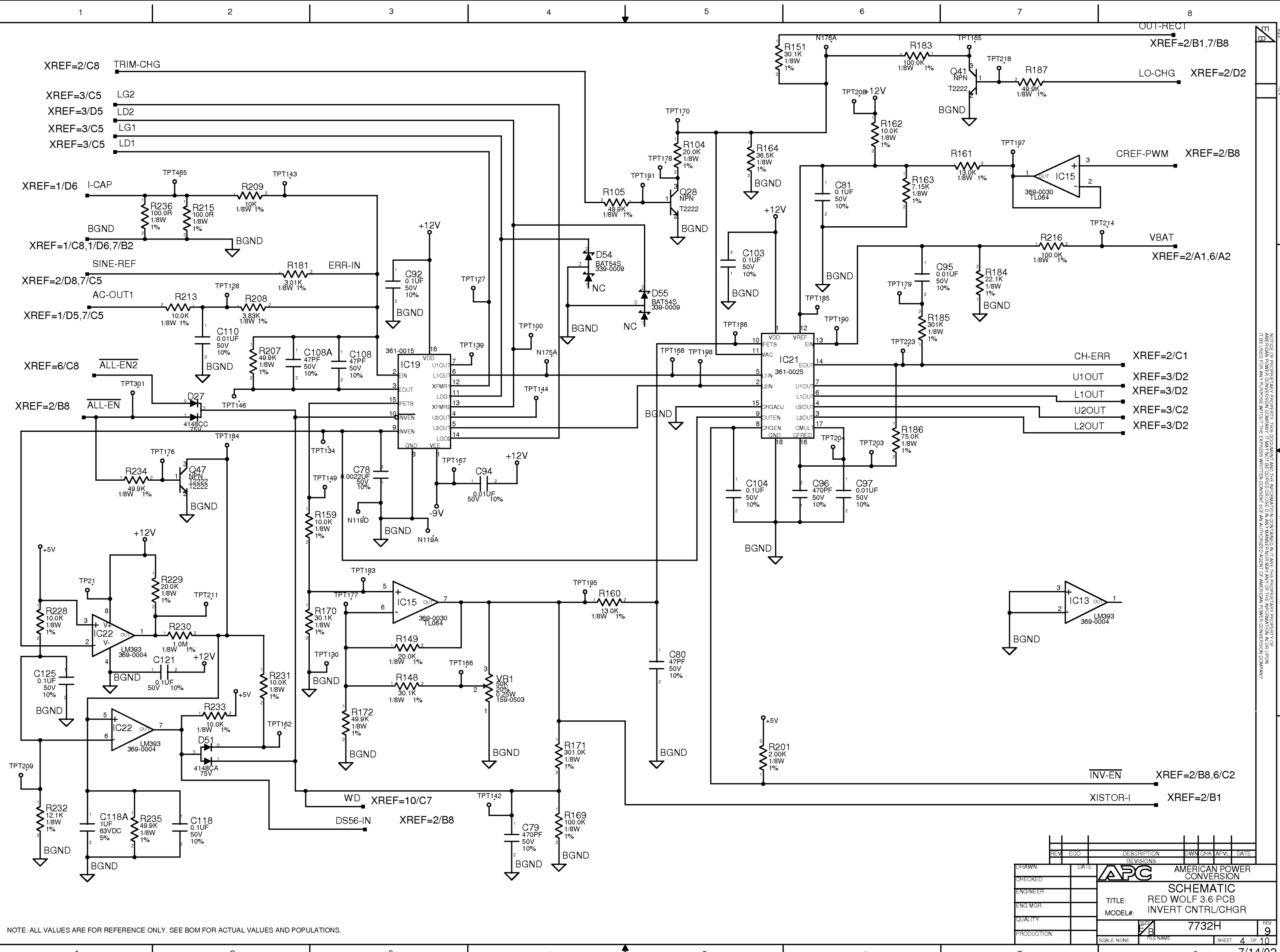
  

DRAWN			
CHECKED			
ENGINEER			
ENG MGR			
QUALITY			
PRODUCTION			

APC AMERICAN POWER CONVERSION	
TITLE: RED WOLF 3.6 PCB BRIDGE	
MODEL#:	7732H
SCALE: NONE	FILE NAME:
SHEET: 3	OF 10

NOTICE OF PROPRIETARY PROPERTY: THIS DOCUMENT AND THE INFORMATION CONTAINED HEREIN ARE THE PROPRIETARY PROPERTY OF AMERICAN POWER CONVERSION COMPANY. IT IS NOT TO BE REPRODUCED OR USED IN ANY MANNER WITHOUT THE WRITTEN PERMISSION OF AMERICAN POWER CONVERSION COMPANY.



NOTE: ALL VALUES ARE FOR REFERENCE ONLY. SEE BOM FOR ACTUAL VALUES AND POPULATIONS.

NOTICE OF PROPRIETARY PROPERTY: THIS DOCUMENT AND THE INFORMATION CONTAINED HEREIN ARE THE PROPRIETARY PROPERTY OF AMERICAN POWER CONVERSION. IT IS TO BE USED FOR ANY PURPOSE WITHOUT THE EXPRESS WRITTEN CONSENT OF AN AUTHORIZED AGENT OF AMERICAN POWER CONVERSION COMPANY.

REV	ECO	DESCRIPTION	DWN	CHK	AP-WL	DATE

DRAWN	DATE	 <b>AMERICAN POWER CONVERSION</b> SCHEMATIC TITLE: RED WOLF 3.6 PCB INVERT CNTRL/CHGR MODEL#: 7732H SCALE: NONE SHEET 4 OF 10
CHECKED		
ENGINEER		
ENG MGR		
PRODUCTION		

PIN	J2A	14PIN	SIGNAL NAME
1			+12V
2			SGND
3			+24V-OUT
4			SGND
5			+5V
6			SDI-AS1
7			SDI-ACC1
8			SDI-ACC2
9			SDI-ACC3
10			SDI-ACC4
11			DIVERT
12			SDI-ACC1
13			OFF-SW

XREF=5/A1  
XREF=5/A7,6/B2,9/C1  
XREF=5/B8,6/B2,9/D1

+BATT (SHORT to +BATT thru FUSE)  
+BATT  
XREF=1/B8,3/A5,6/A2,8/B2


XREF=2/C2 SD-OUT  
XREF=2/C2 RXD  
XREF=2/B8 LO-BATT

USB SERIAL DATA OUT  
J13 8PIN 715-0014  
USB SERIAL DATA IN  
J13 8PIN 715-0014  
MUX CNTRL  
J13 8PIN 715-0014

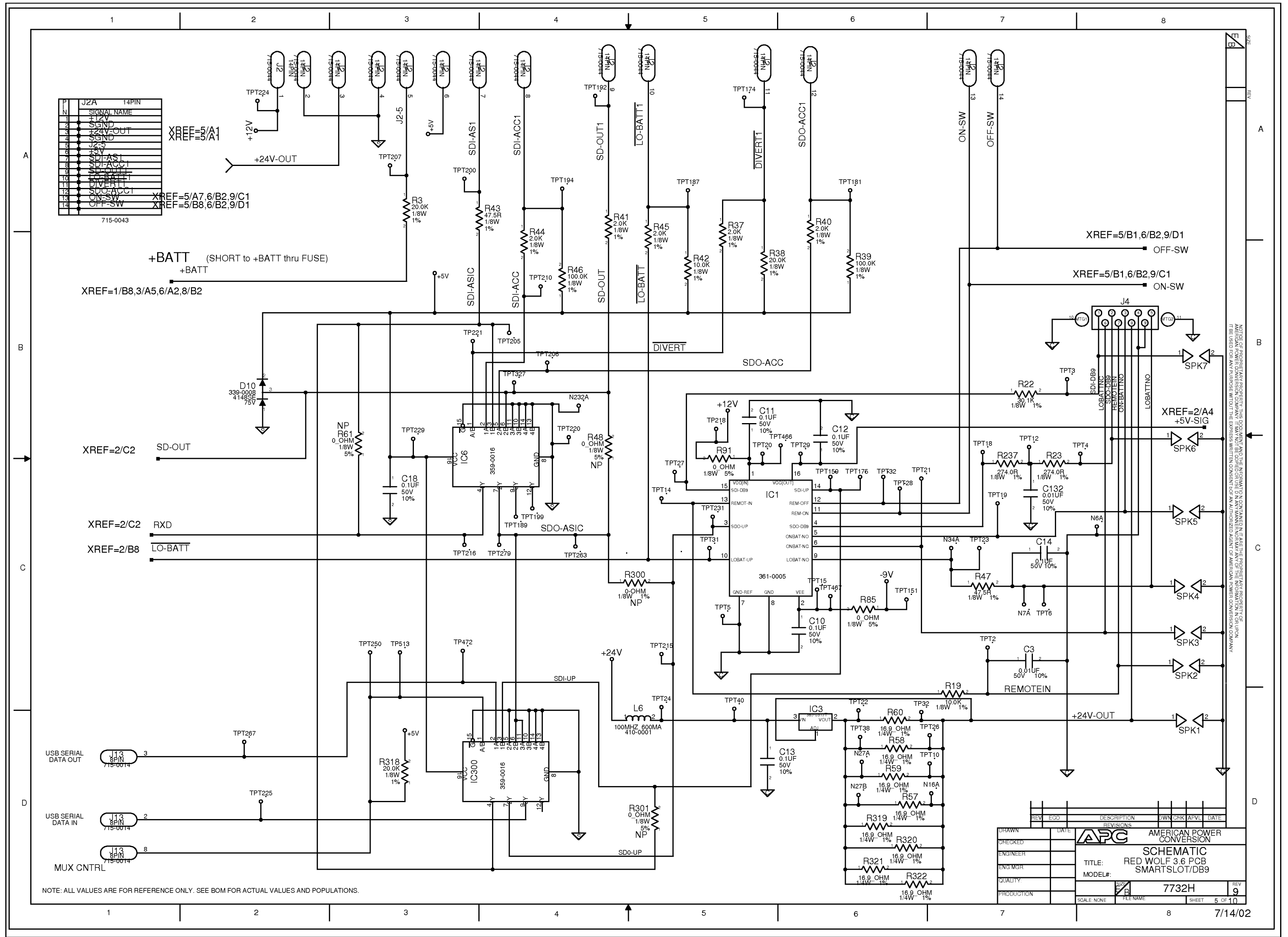
NOTE: ALL VALUES ARE FOR REFERENCE ONLY. SEE BOM FOR ACTUAL VALUES AND POPULATIONS.

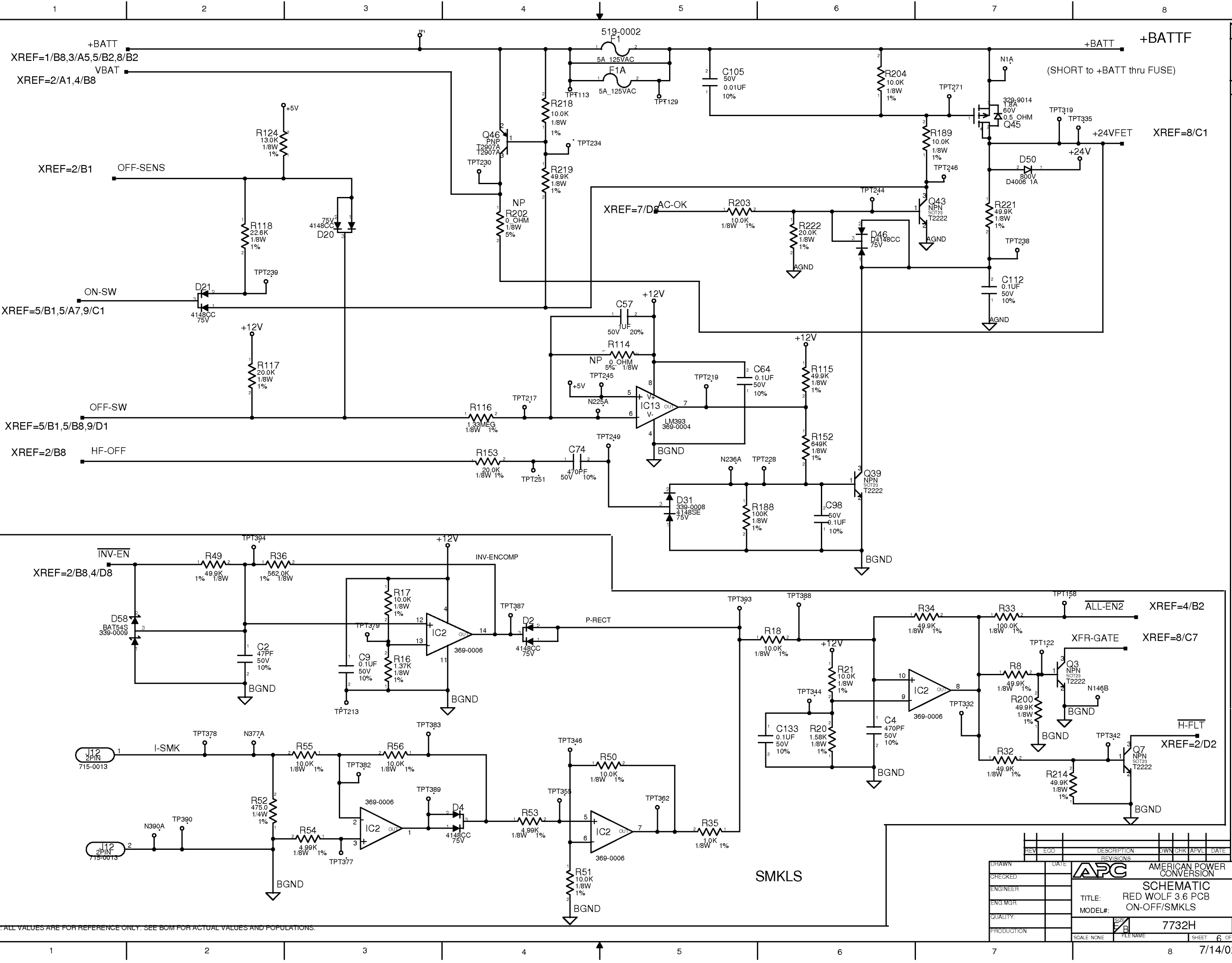
REV	ECO	DESCRIPTION	DWN	CHK	APVL	DATE

DRAWN	DATE	 <b>AMERICAN POWER CONVERSION</b> <b>SCHEMATIC</b> <b>RED WOLF 3.6 PCB</b> <b>SMARTSLOT/DB9</b>	REV
CHECKED			9
ENGINEER			
ENG MGR			
QUALITY			
PRODUCTION		7732H	
SCALE: NONE	FILE NAME	SHEET	5 OF 10

NOTICE OF PROPRIETARY PROPERTY: THIS DOCUMENT AND THE INFORMATION CONTAINED HEREIN ARE THE PROPRIETARY PROPERTY OF AMERICAN POWER CONVERSION COMPANY. IT IS NOT TO BE REPRODUCED OR TRANSMITTED IN ANY FORM OR BY ANY MEANS, ELECTRONIC OR MECHANICAL, INCLUDING PHOTOCOPYING, RECORDING, OR BY ANY INFORMATION STORAGE AND RETRIEVAL SYSTEM, WITHOUT THE EXPRESS WRITTEN PERMISSION OF AMERICAN POWER CONVERSION COMPANY.





NOTE: ALL VALUES ARE FOR REFERENCE ONLY. SEE BOM FOR ACTUAL VALUES AND POPULATIONS.

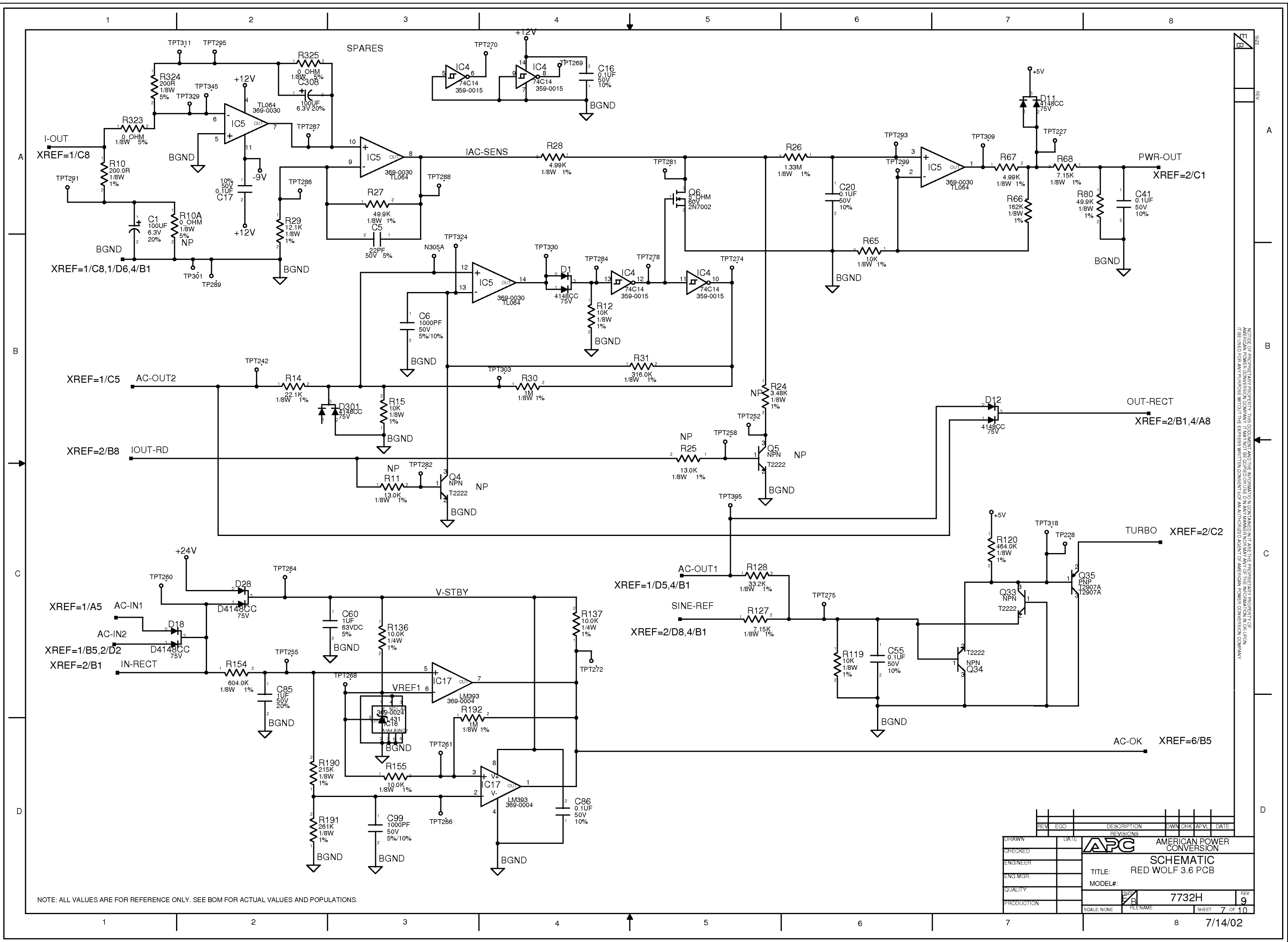
NOTICE OF PROPRIETARY PROPERTY: THIS DOCUMENT AND THE INFORMATION CONTAINED HEREIN ARE THE PROPRIETARY PROPERTY OF AMERICAN POWER CONVERSION COMPANY. IT IS NOT TO BE REPRODUCED OR USED IN ANY MANNER WITHOUT THE WRITTEN PERMISSION OF AMERICAN POWER CONVERSION COMPANY.

REV	ECO	DESCRIPTION	OWN	CHK	APVL	DATE

DRAWN	DATE	<b>APC</b> AMERICAN POWER CONVERSION <b>SCHMATIC</b> TITLE: RED WOLF 3.6 PCB ON-OFF/SMKLS MODEL#: 7732H SCALE: NONE FILE NAME:	REV
CHECKED			
ENGINEER			
ENGR MGR			
PRODUCTION			

SMKLS



NOTE: ALL VALUES ARE FOR REFERENCE ONLY. SEE BOM FOR ACTUAL VALUES AND POPULATIONS.

REV	ECO	DESCRIPTION	OWN	CHK	APWL	DATE

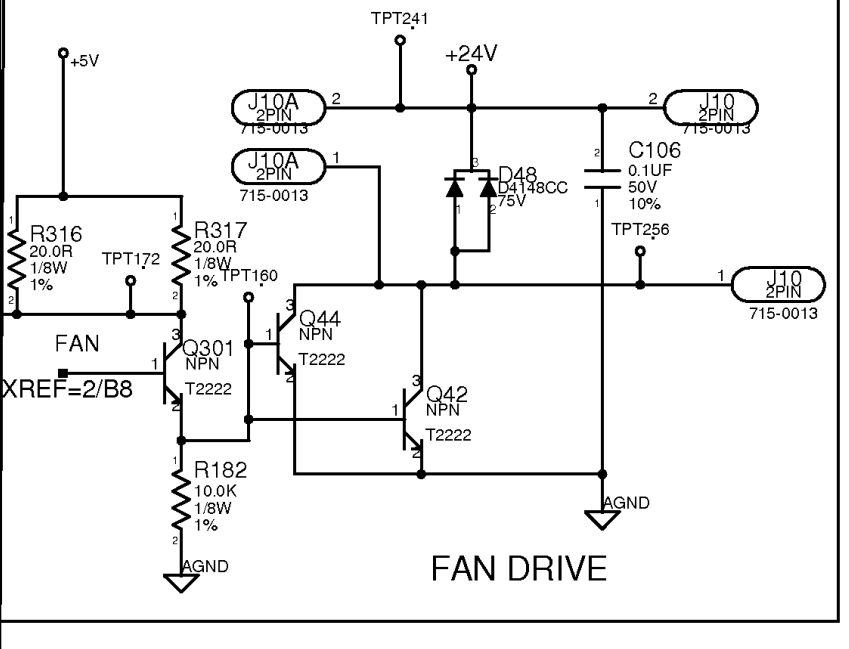
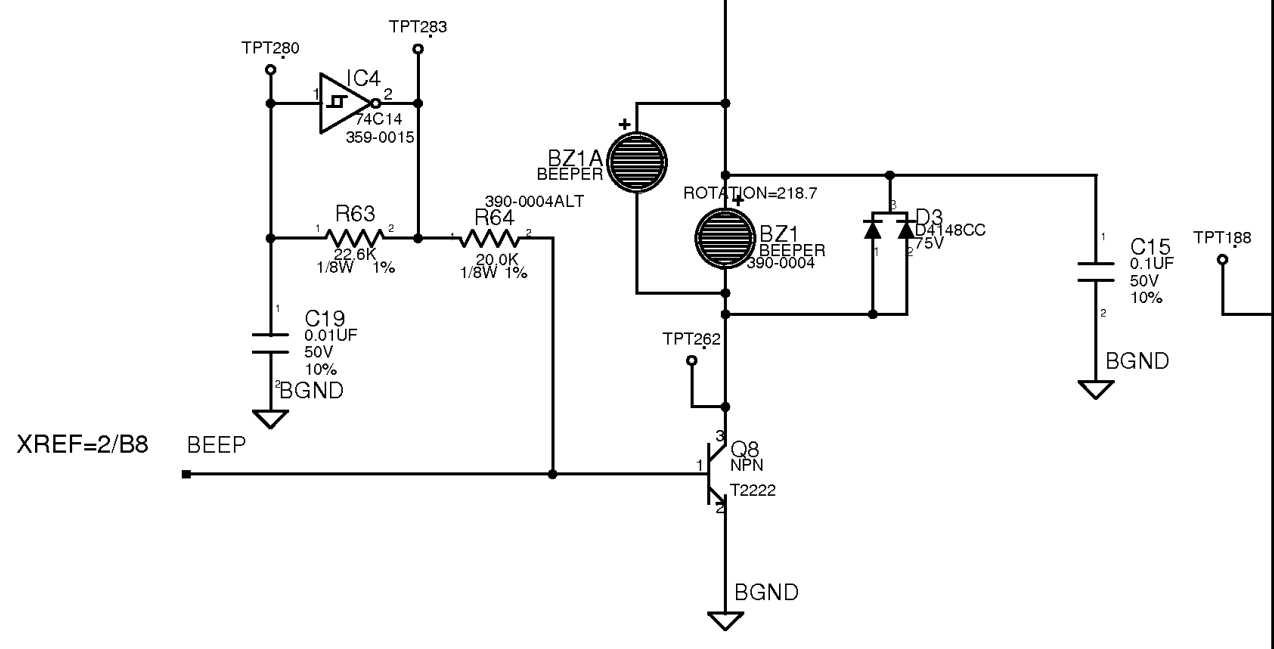
  

DRAWN	DATE	 <b>AMERICAN POWER CONVERSION</b> <b>SCHEMATIC</b> <b>RED WOLF 3.6 PCB</b> MODEL#:	REV
CHECKED			9
ENGINEER			7732H
ENG. MGR.			
QUALITY			
PRODUCTION			
SCALE: NONE		FILENAME:	SHEET 7 OF 10

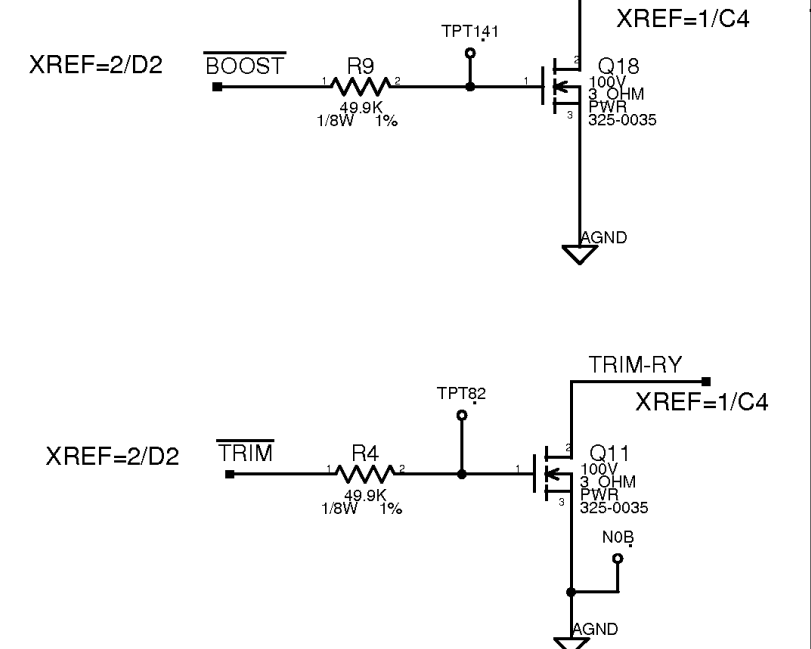
7/14/02

NOTICE OF PROPRIETARY PROPERTY: THIS DOCUMENT AND THE INFORMATION CONTAINED HEREIN ARE THE PROPRIETARY PROPERTY OF APC. IT IS NOT TO BE REPRODUCED, COPIED, OR TRANSMITTED IN ANY FORM OR BY ANY MEANS, ELECTRONIC OR MECHANICAL, WITHOUT THE EXPRESS WRITTEN CONSENT OF AN AUTHORIZED AGENT OF AMERICAN POWER CONVERSION COMPANY.

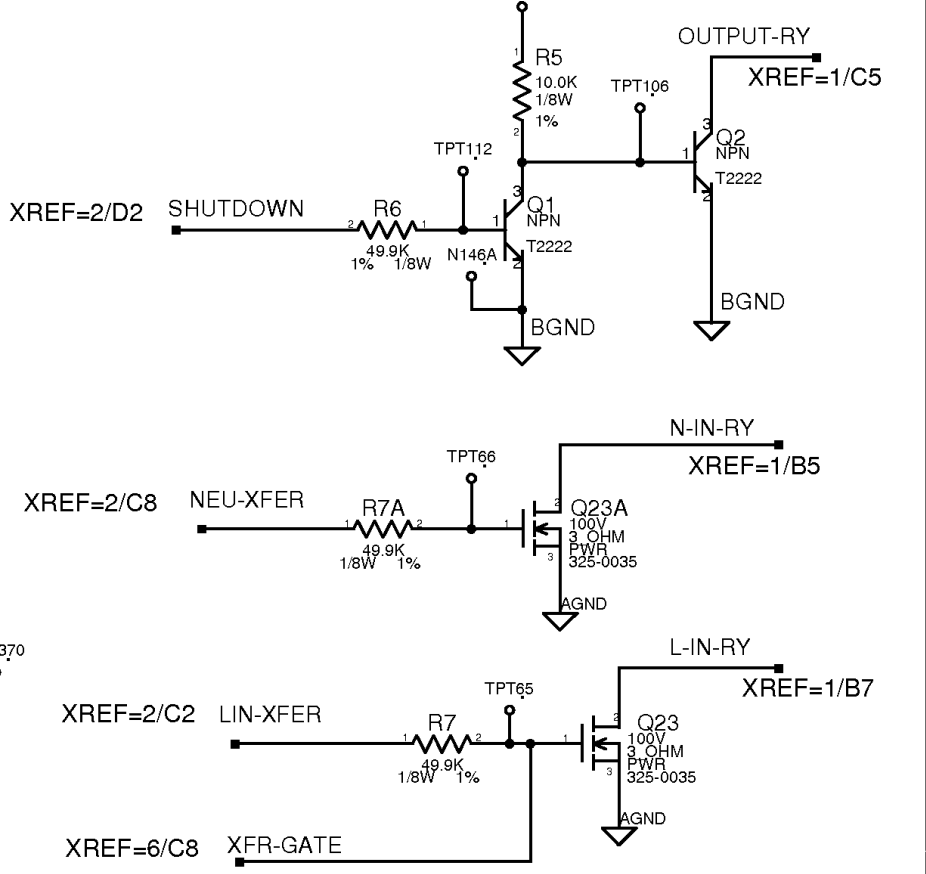
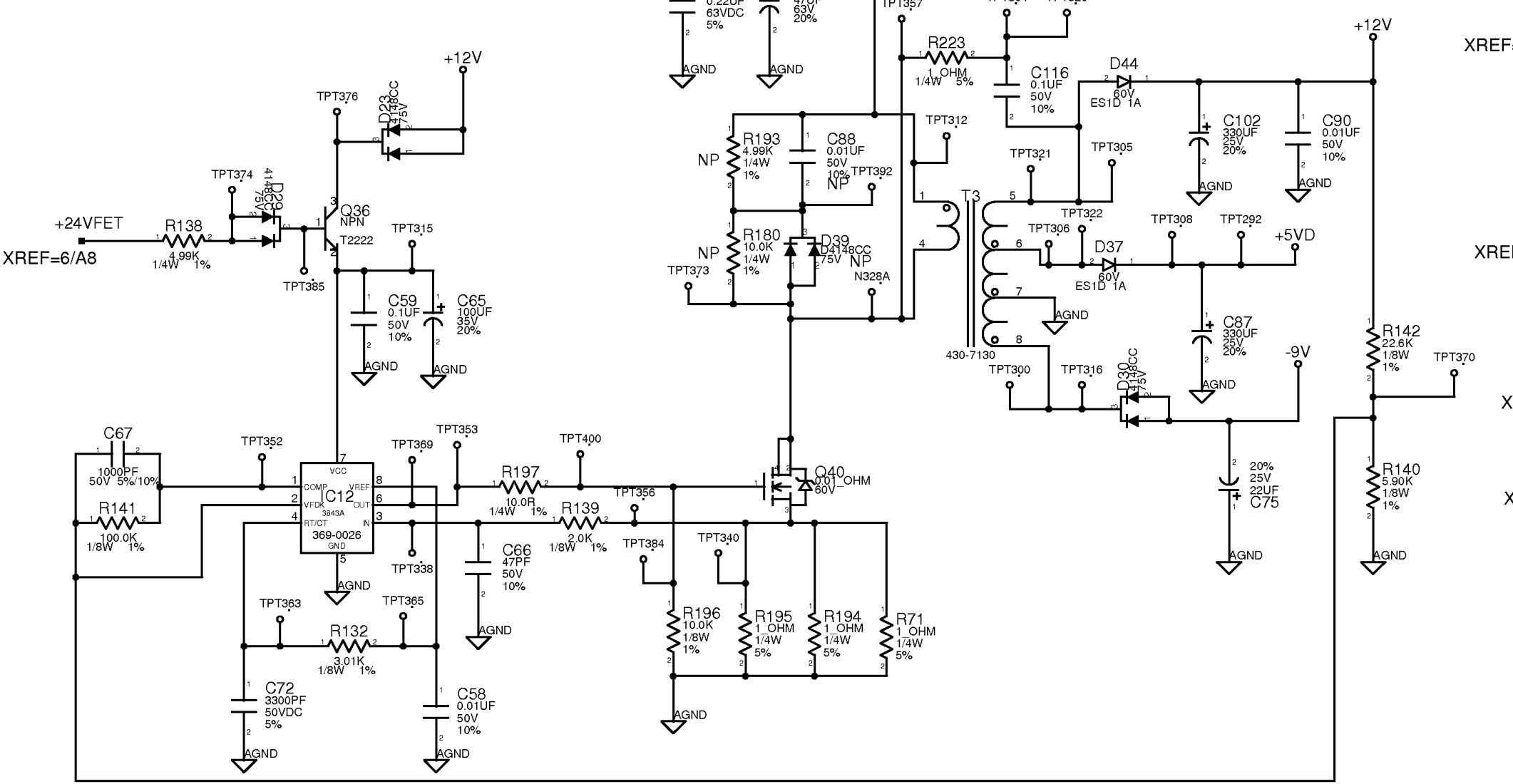
**BEEPER**



**RELAY DRIVE**



(SHORT to +BATT thru FUSE)  
+BATTF  
XREF=1/B8,3/A5,5/B2,6/A2



NOTE: ALL VALUES ARE FOR REFERENCE ONLY. SEE BOM FOR ACTUAL VALUES AND POPULATIONS.

REV	ECO	DESCRIPTION	OWN	CHK	APWL	DATE

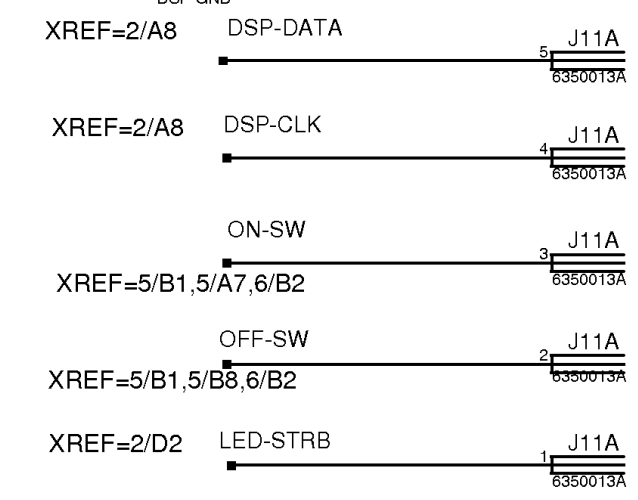
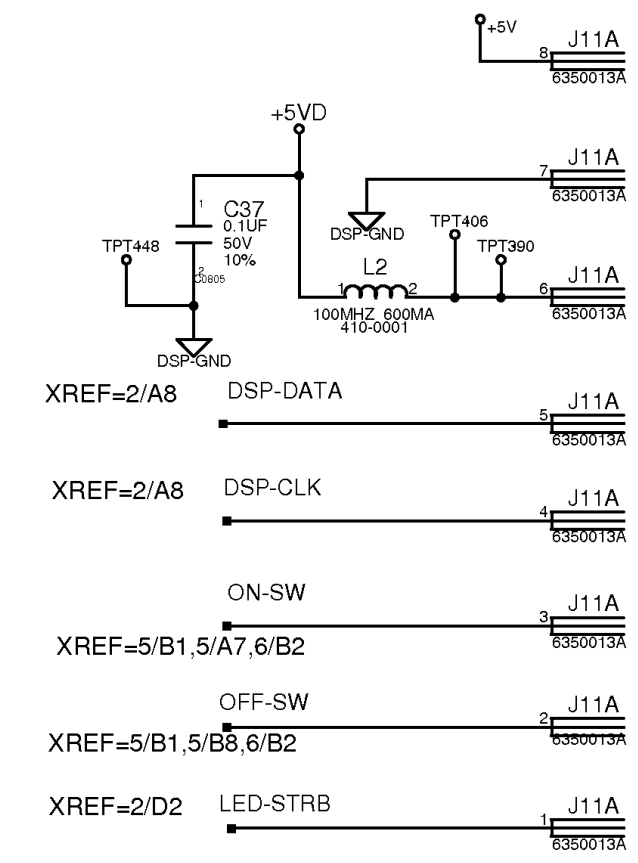
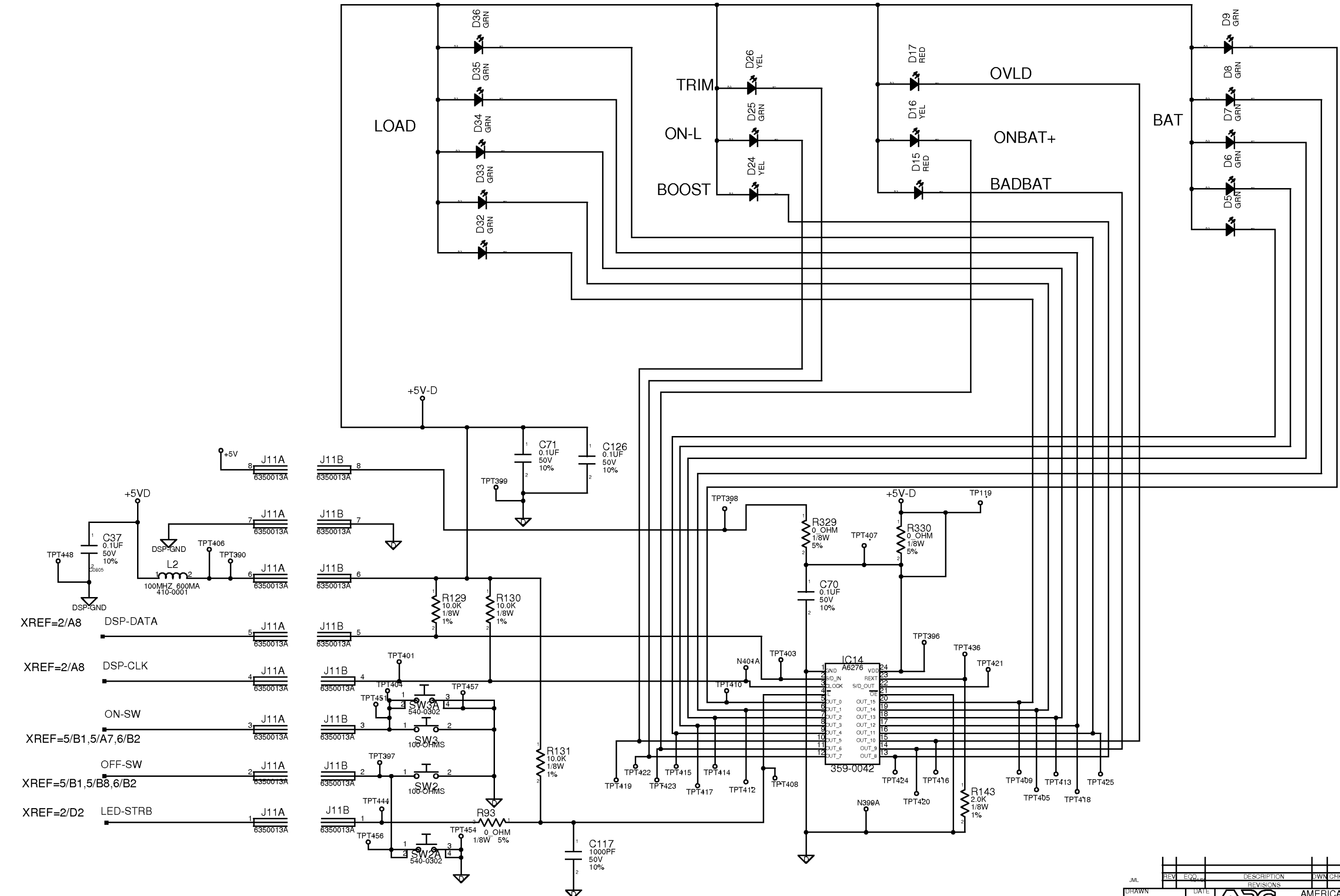
**APC** AMERICAN POWER CONVERSION  
**SCHEMATIC**  
 TITLE: RED WOLF 3.6 PCB  
 MODEL#:   
 DRAWN:   
 CHECKED:   
 ENGINEER:   
 ENGR MGR:   
 QUALITY:   
 PRODUCTION:   
 SCALE: NONE  
 FILE NAME:   
 SHEET 8 OF 10  
 7732H  
 REV 9  
 7/14/02



1 2 3 4 5 6 7 8

A  
B  
C  
D

SIZE  
REV  
A  
B  
C  
D



NOTE: ALL VALUES ARE FOR REFERENCE ONLY. SEE BOM FOR ACTUAL VALUES AND POPULATIONS.

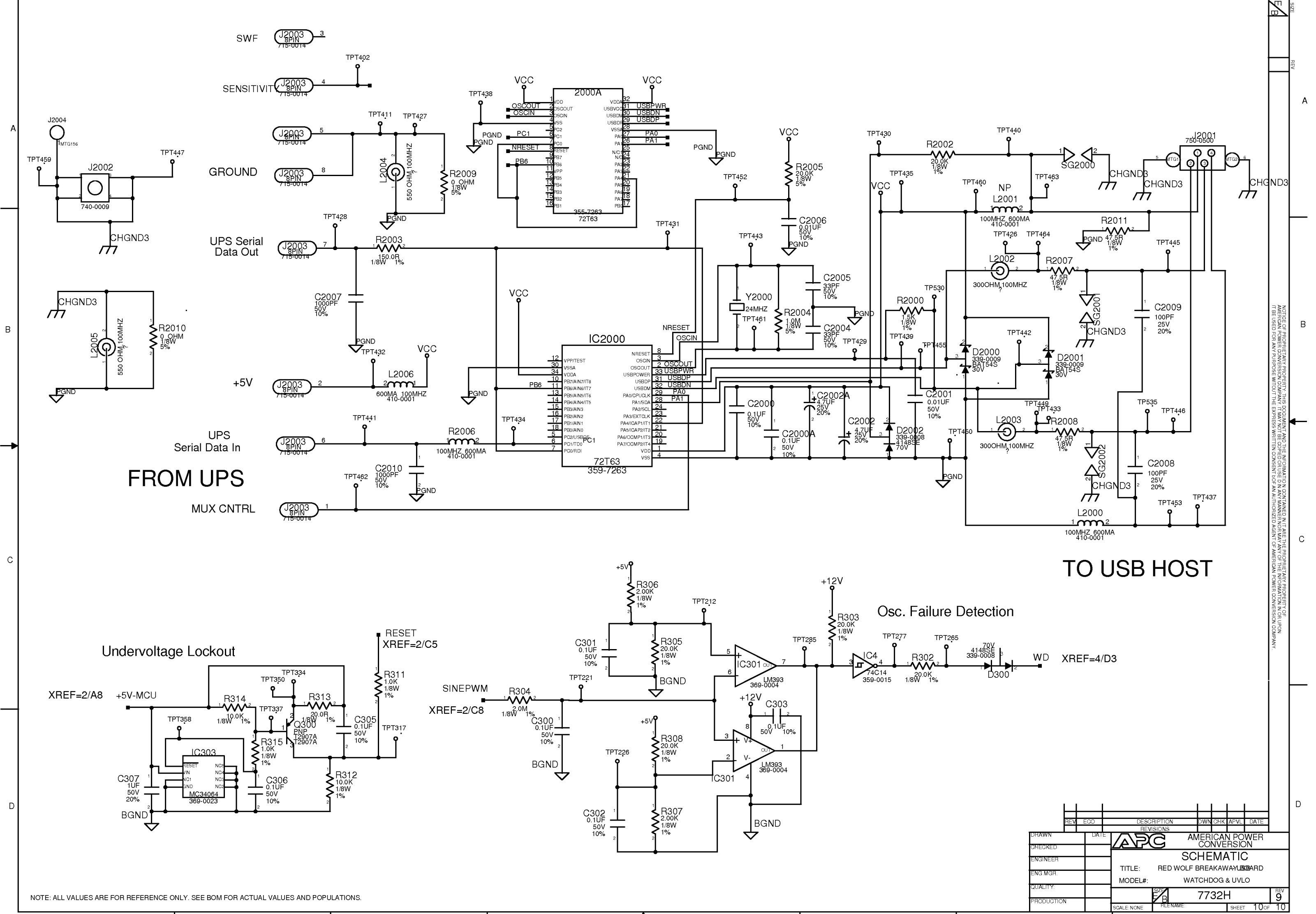
REV	EQ...	DESCRIPTION	DWN	CHK	APVL	DATE

DRAWN	DATE	 <b>AMERICAN POWER CONVERSION</b> <b>SCHEMATIC</b> <b>RED WOLF 3.6 PCB</b> <b>MODEL#:</b> 16 Bit LED Display <b>7732H</b>	REV
CHECKED			9
ENGINEER			
ENG MGR			
QUALITY			
PRODUCTION			

SCALE: NONE    FILE NAME:    SHEET 9 OF 10

1 2 3 4 5 6 7 8



FROM UPS  
MUX CNTRL

TO USB HOST

Undervoltage Lockout

Osc. Failure Detection

NOTE: ALL VALUES ARE FOR REFERENCE ONLY. SEE BOM FOR ACTUAL VALUES AND POPULATIONS.

REV	ECO	DESCRIPTION	DWN	CHK	AP-WL	DATE

DRAWN	DATE	<p>AMERICAN POWER CONVERSION</p> <p><b>SCHEMATIC</b></p> <p>TITLE: RED WOLF BREAKAWAY USB BOARD</p> <p>MODEL#: WATCHDOG &amp; UVLO</p> <p>SCALE: NONE</p> <p>FILE NAME: 7732H</p> <p>SHEET 10 OF 10</p>
CHECKED		
ENGINEER		
ENG MGR		
QUALITY		
PRODUCTION		

7/14/02

NOTICE OF PROPRIETARY PROPERTY: THIS DOCUMENT AND THE INFORMATION CONTAINED HEREIN ARE THE PROPRIETARY PROPERTY OF AMERICAN POWER CONVERSION COMPANY. IT IS TO BE USED FOR ANY PURPOSE WITHOUT THE EXPRESS WRITTEN CONSENT OF AN AUTHORIZED AGENT OF AMERICAN POWER CONVERSION COMPANY.