

### **FRU (Field Replaceable Unit) List**

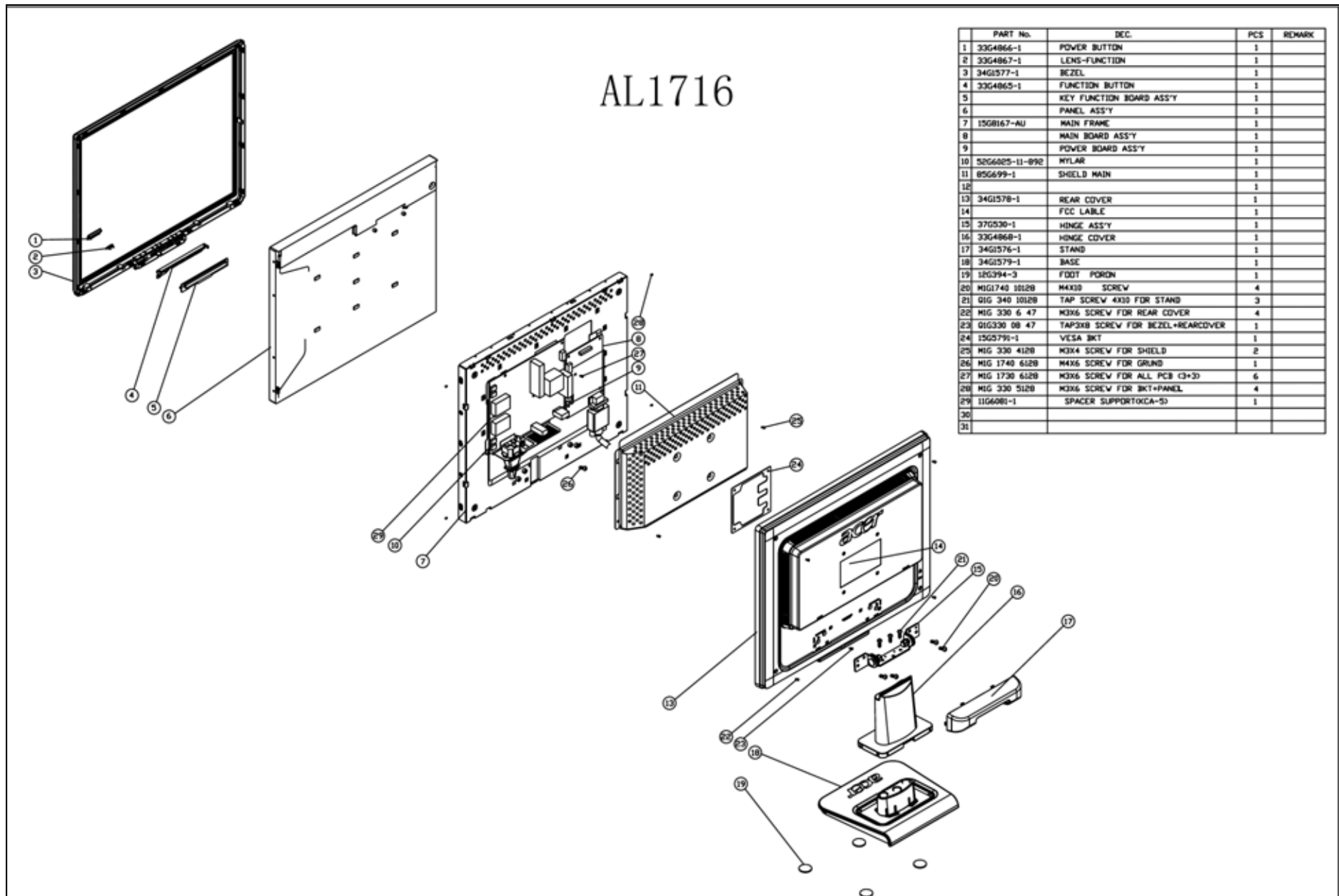
---

This chapter gives you the FRU (Field Replaceable Unit) listing in global configurations of AL1716. Refer to this chapter whenever ordering for parts to repair or for RMA (Return Merchandise Authorization).

**NOTE:** Please note WHEN ORDERING FRU PARTS, that you should check the most up-to-date information available on your regional web or channel (<http://aicsl.acer.com.tw/spl/>). For whatever reasons a part number change is made, it will not be noted in the printed Service Guide. For ACER AUTHORIZED SERVICE PROVIDERS, your Acer office may have a DIFFERENT part number code from those given in the FRU list of this printed Service Guide. You MUST use the local FRU list provided by your regional Acer office to order FRU parts for repair and service of customer machines.

**NOTE:** To scrap or to return the defective parts, you should follow the local government ordinance or regulations on how to dispose it properly, or follow the rules set by your regional Acer office on how to return it.

# Exploded Diagram (Model: AL1716)



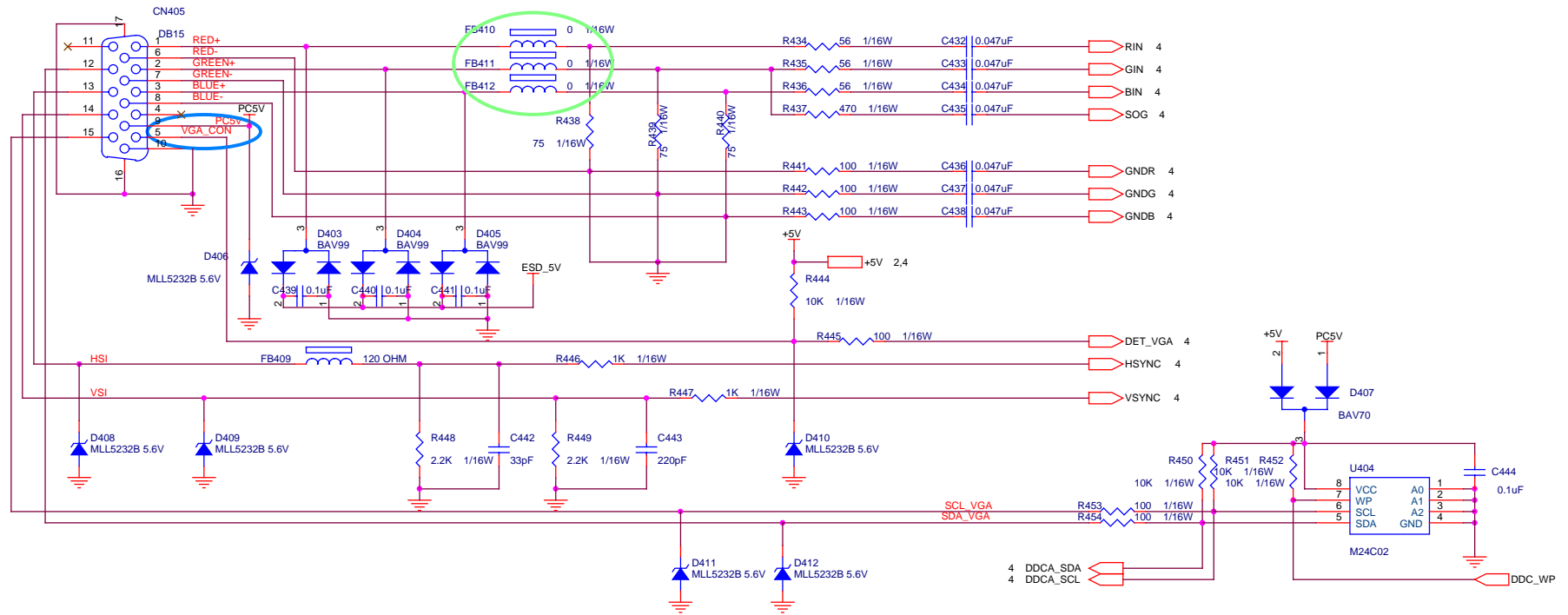
## Part List

Above picture show the description of the following component.

Item	Picture	Description	Part No.
1		BACK COVER	34G1578 RX B
2		STAND	34G1576 RX B
3		BEZEL	34G1577AQW B
4		BASE	34G1579 RX B
5		SCREW	M1L1730 8128
6		SCREW	Q1G 340 10128

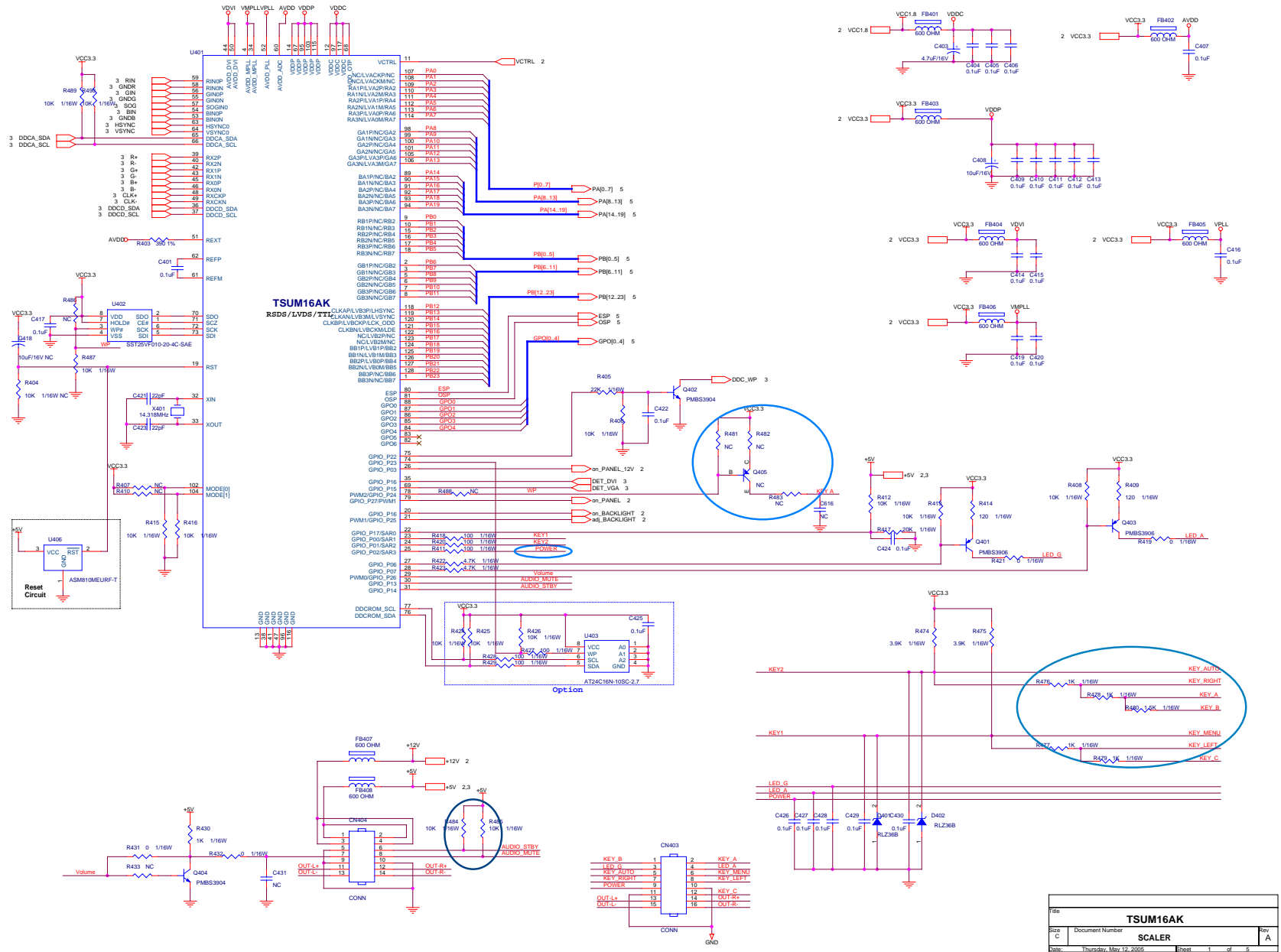
Schematic Diagram

Analog Input

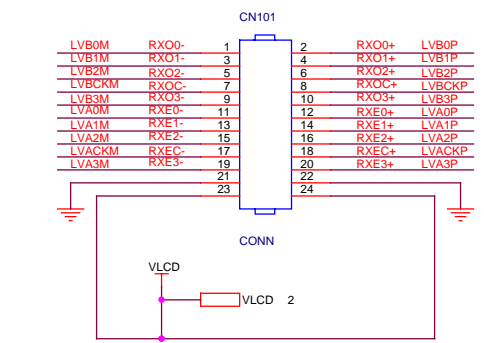
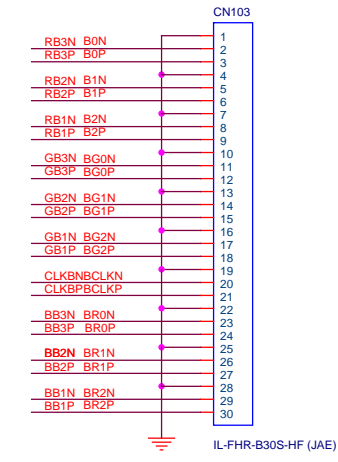
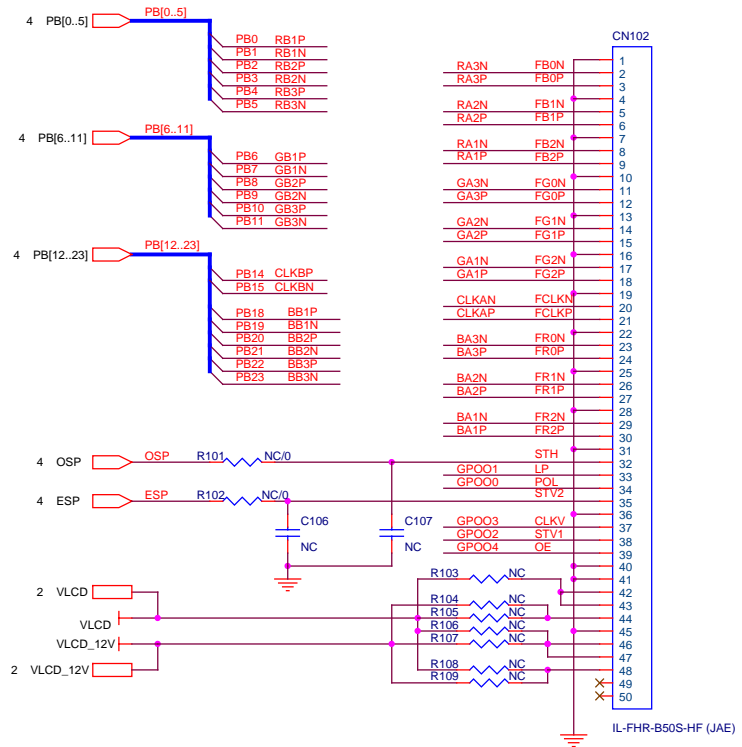
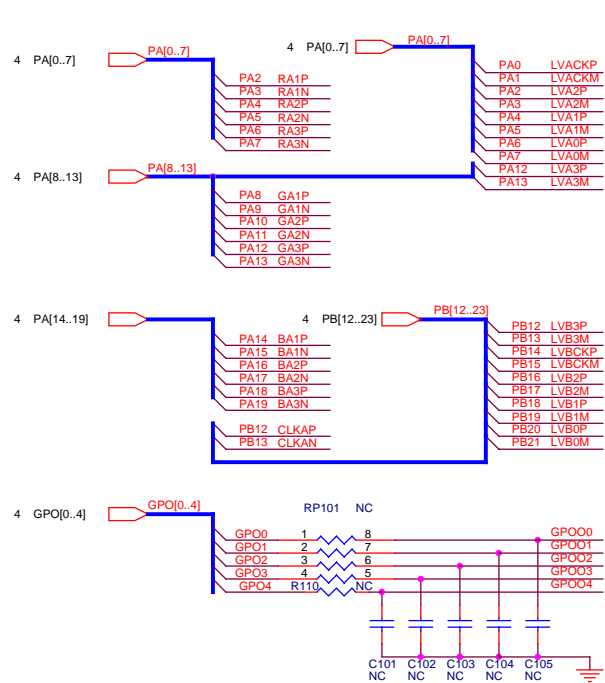


Title		
<b>TSUM16AK</b>		
Size	Document Number	Rev
B	<b>INPUT</b>	A
Date:	Monday, May 09, 2005	Sheet 1 of 5

# TSUM16AK



# LVDS

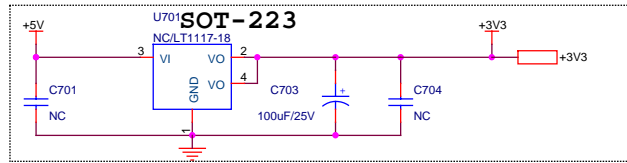


	CN7	CN8	CN9	EP1	R88	R89	R91	Table 1
LVDS Panel	X	X	V	X	X	X	X	X
RSDS Panel	V	V	X	V	V	V	V	V

Table 1	R90	R92	R93	R94	R95	R96	R97
AU 17	NC	NC	5V	5V	NC	5V	NC
QDE 17	3.3V	12V	OR	NC	12V	NC	12V
CPT 17	OR	OR	NC	NC	OR	NC	OR
INNOLUX 15	3.3V	OR	3.3V	OR	NC	NC	NC
HannStar 15	3.3V	OR	3.3V	OR	12V	OR	NC
CPT 15	3.3V	OR	3.3V	OR	OR	NC	NC
LG 15	3.3V	OR	OR	OR	NC	NC	NC
InnoLux 17*	NC	NC	OR	OR	NC	3.3V	OR

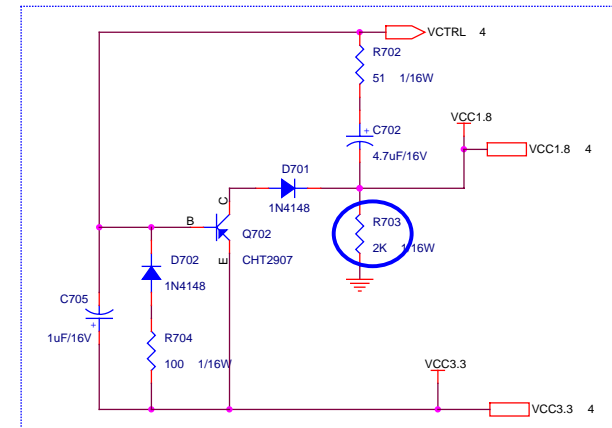
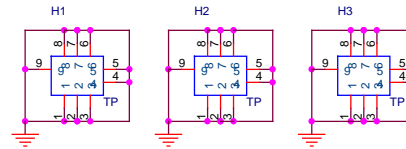
Title		
<b>TSUM16AK</b>		
Size	Document Number	Rev
B	<b>PANEL INTERFACE</b>	A
Date:	Monday, May 09, 2005	Sheet 1 of 5

# Power

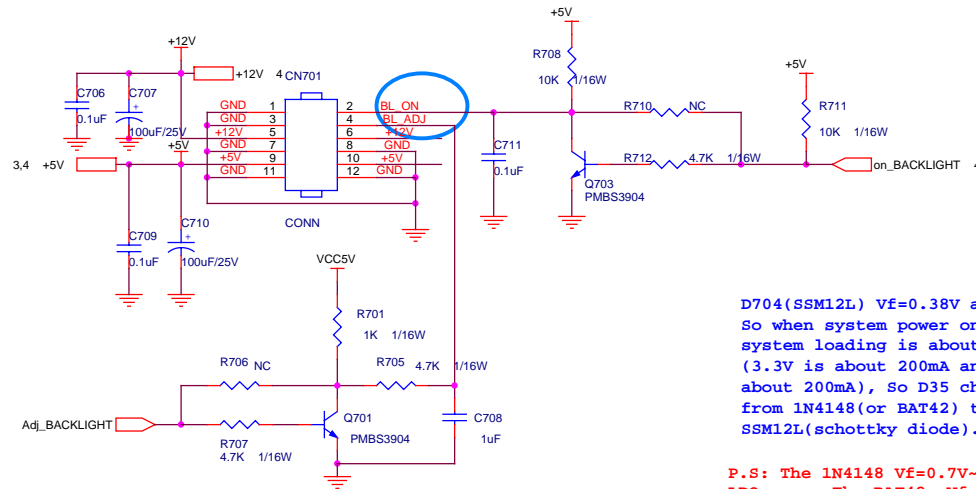


BL_ADJ (DC)	R31	C51	R32	R29	R33	Q4
UV ~ 3.3V	4.7K	1uF	0	X	X	X
UV ~ 5V	4.7K	1uF	X	1K	4.7K	MMBT3904

BL_ADJ	R31	C32
P W M	47	N.C
D C	4K7	1uF

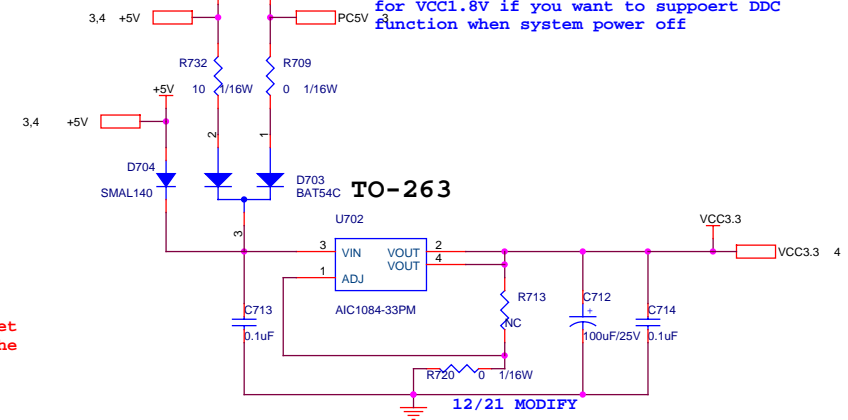


Recommend to used "Blue" parts circuit for VCC1.8V if you want to support DDC function when system power off



D704(SSM12L) Vf=0.38V and If=1A. So when system power on, the system loading is about 400mA (3.3V is about 200mA and 1.8V is about 200mA), so D35 changed from 1N4148(or BAT42) to SSM12L(schottky diode).

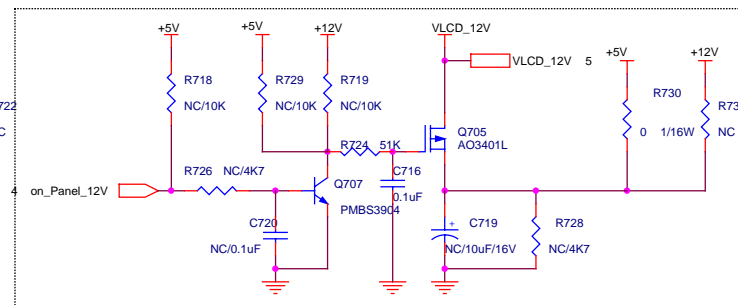
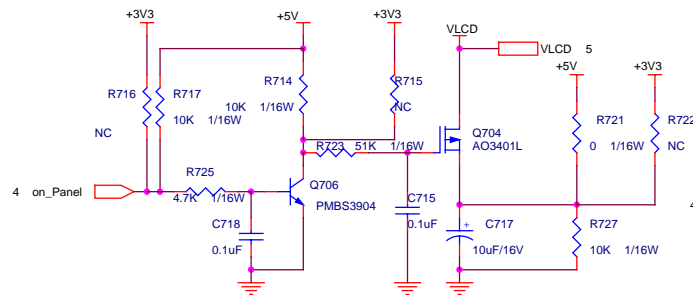
P.S: The 1N4148 Vf=0.7V-1V can't meet LDO spec. The BAT42, Vf is OK but the If=200mA(forward current) can not meet current spec.



TO-263

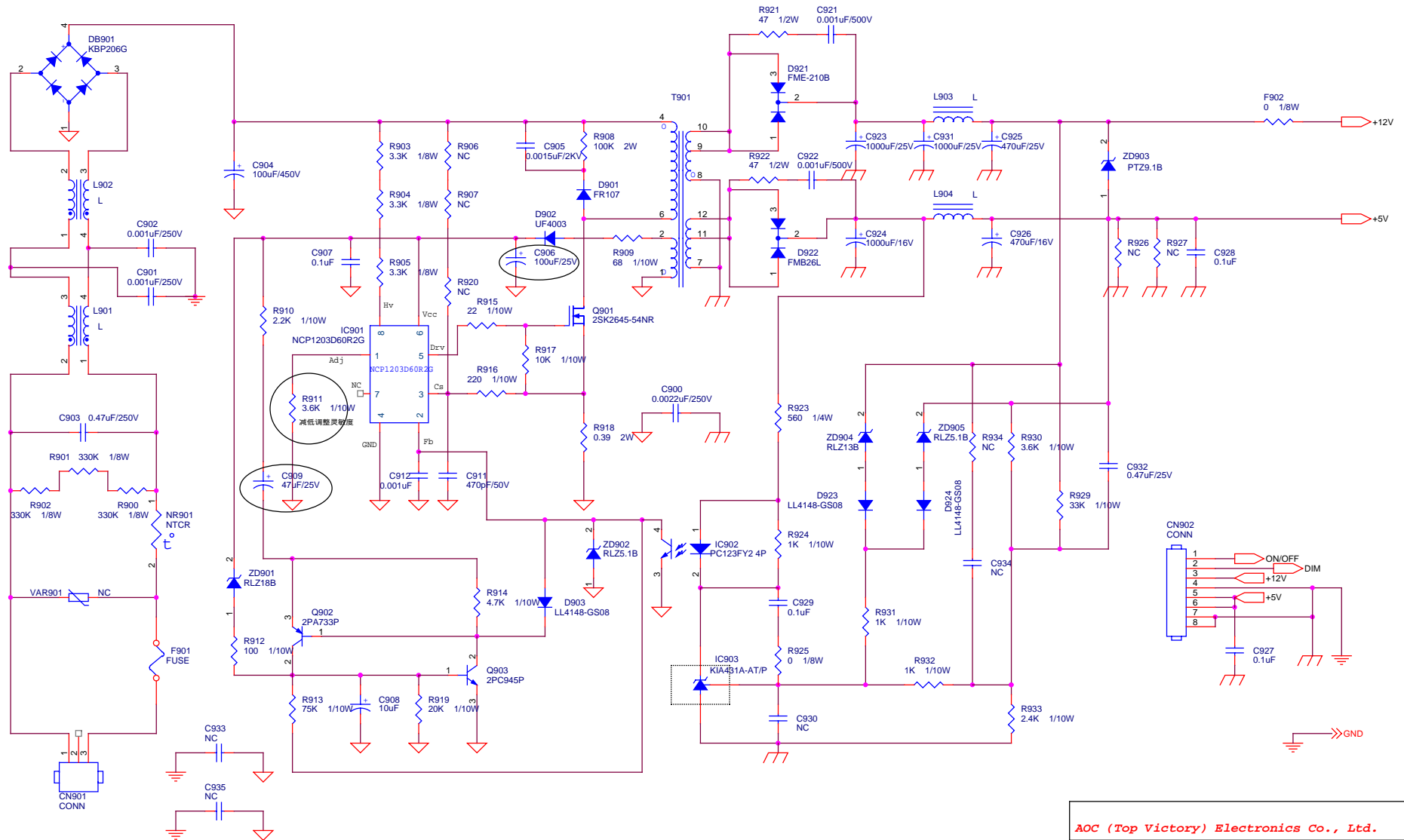
12/21 MODIFY

For RS2S and Panel VCC=12V



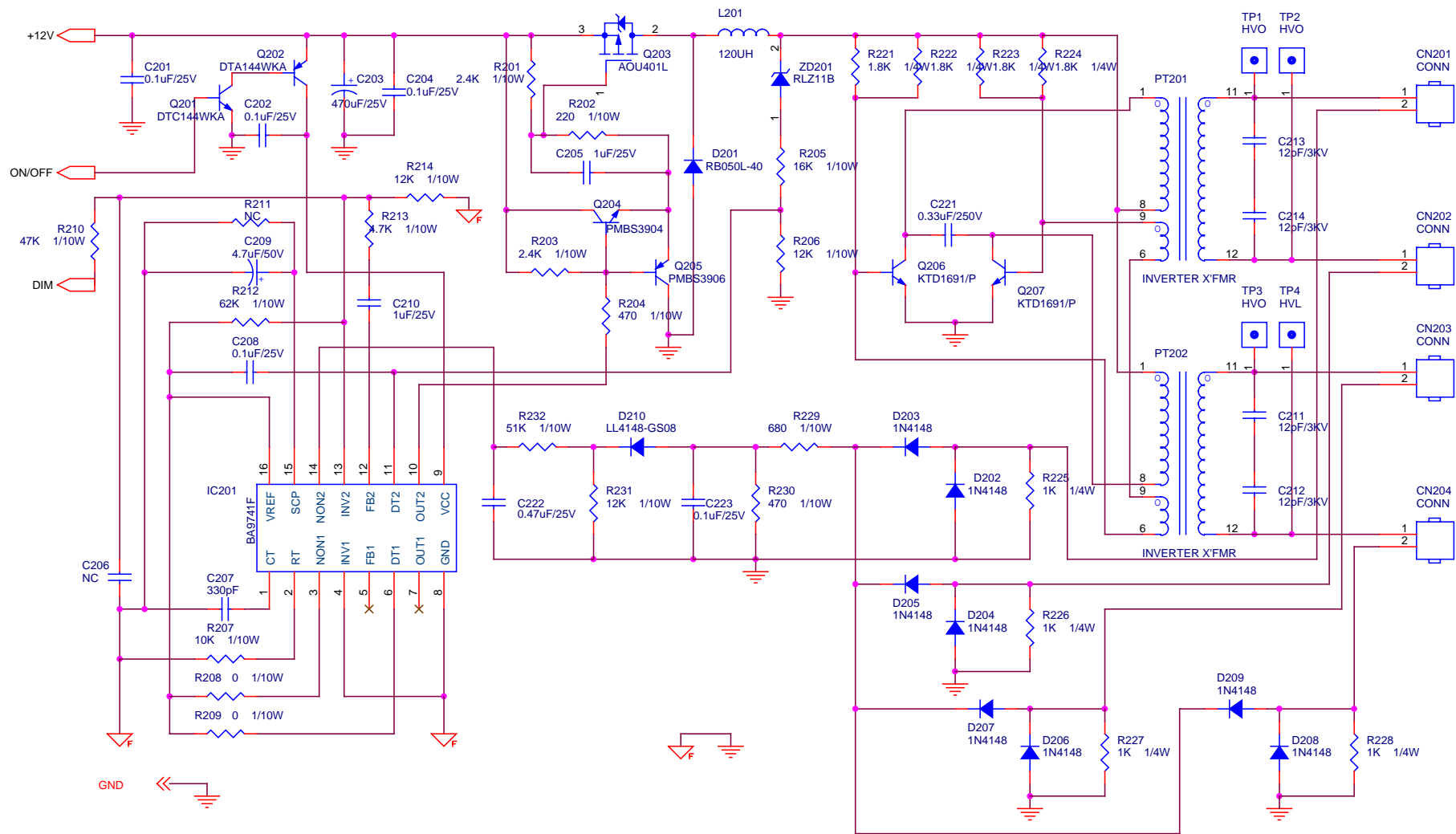
Title		
<b>TSUM16AK</b>		
Size	Document Number	Rev
B	<b>POWER</b>	A
Date:	Monday, May 09, 2005	Sheet 1 of 5

# Power board (adapter + inverter)



AOC (Top Victory) Electronics Co., Ltd.			
Title 1.POWER OUTPUT 12V & 5 V			
Size B	Document Number PWPC1942AUA11P(715G1492-1)	Rev A	
Date: Sunday, May 22, 2005	Sheet 1	of 2	





<b>AOC (Top Victory) Electronics Co., Ltd.</b>		
Title		
<b>2. FOR 19" 4 LAMPS INVERTER</b>		
Size	Document Number	Rev
	<b>PWPC1942AUA11P(715G1492-1)</b>	<b>A</b>
Date:	Sunday, May 22, 2005	Sheet 2 of 2

is power GND  
 is signal GND