

Gate Trace 8 mils
 Sense Trace 8 mils

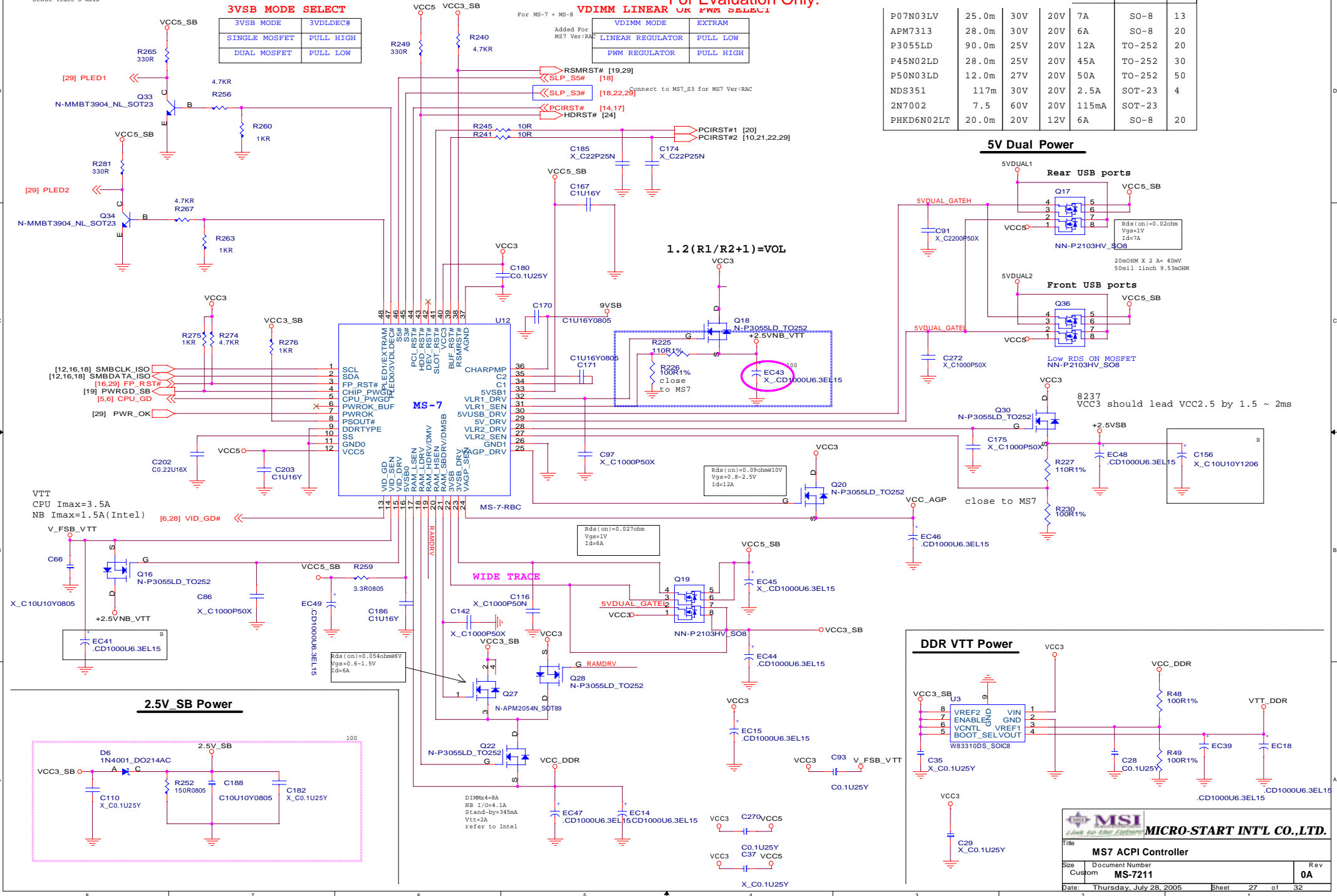
3VSB MODE SELECT

3VSB MODE	3VSDLDEC#
SINGLE MOSFET	PULL HIGH
DUAL MOSFET	PULL LOW

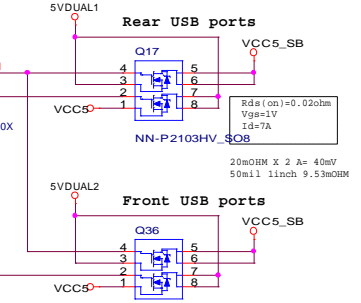
VDIMM LINEAR OR PWM SELECT

VDIMM MODE	EXTRAM
LINEAR REGULATOR	PULL LOW
PWM REGULATOR	PULL HIGH

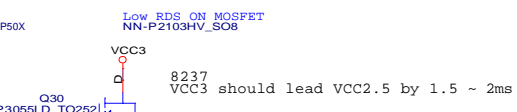
Id	Package	Qg				
P07N03LV	25.0m	30V	20V	7A	SO-8	13
APM7313	28.0m	30V	20V	6A	SO-8	20
P3055LD	90.0m	25V	20V	12A	TO-252	20
P45N02LD	28.0m	25V	20V	45A	TO-252	30
P50N03LD	12.0m	27V	20V	50A	TO-252	50
NDS351	117m	30V	20V	2.5A	SOT-23	4
2N7002	7.5	60V	20V	115mA	SOT-23	
PHKD6N02LT	20.0m	20V	12V	6A	SO-8	20



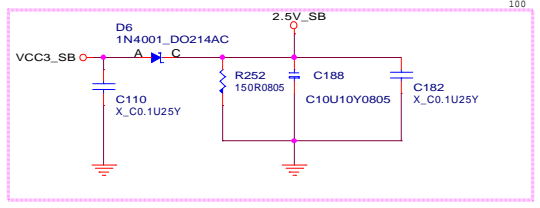
5V Dual Power



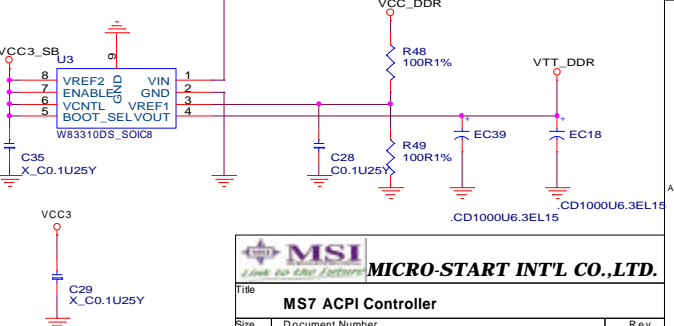
$1.2 (R1/R2+1) = VOL$



2.5V_SB Power



DDR VTT Power



MSI MICRO-START INT'L CO., LTD.

Title: **MS7 ACPI Controller**

Size	Document Number	Rev
Custom	MS-7211	0A

Date: Thursday, July 28, 2005 Sheet 27 of 32