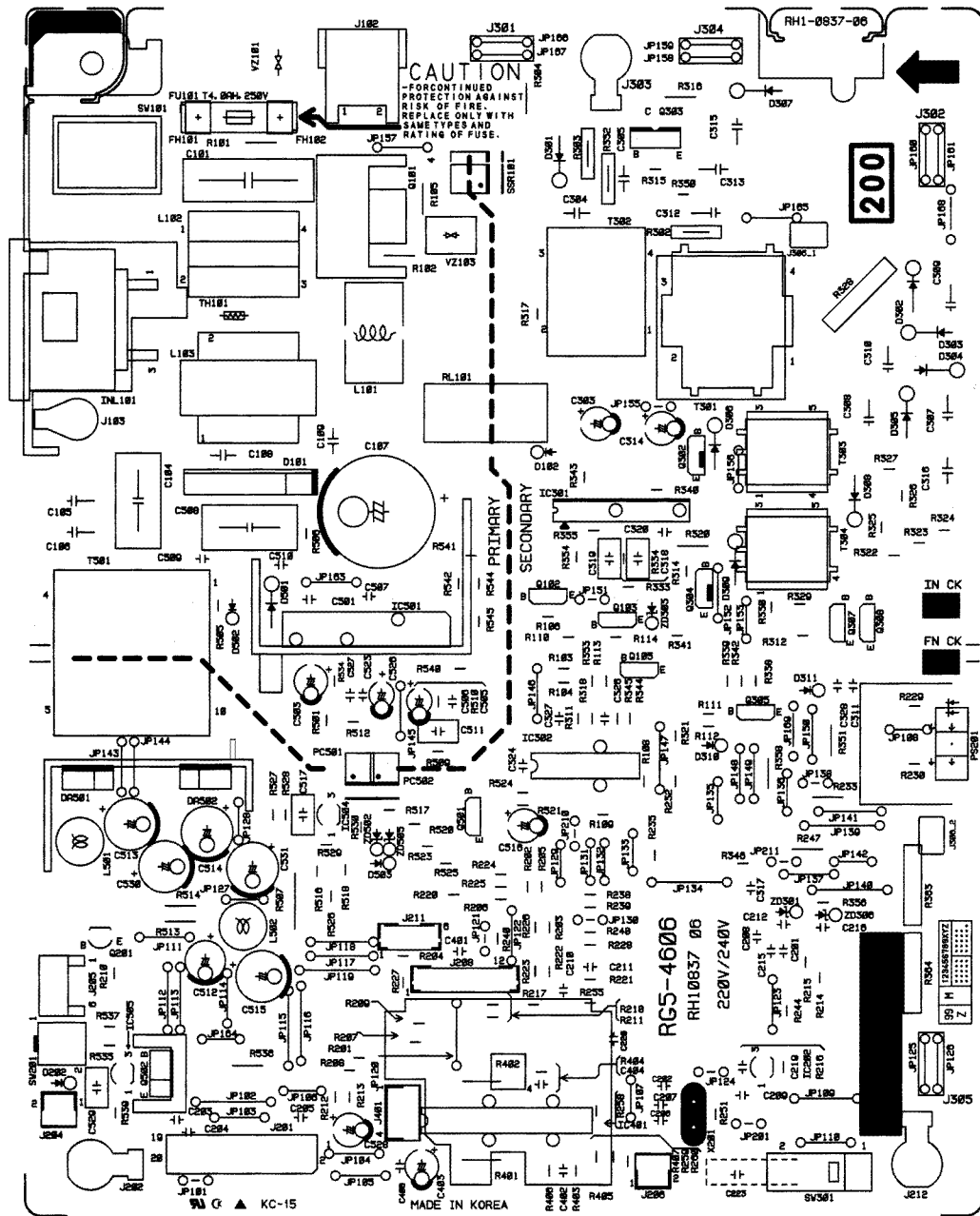
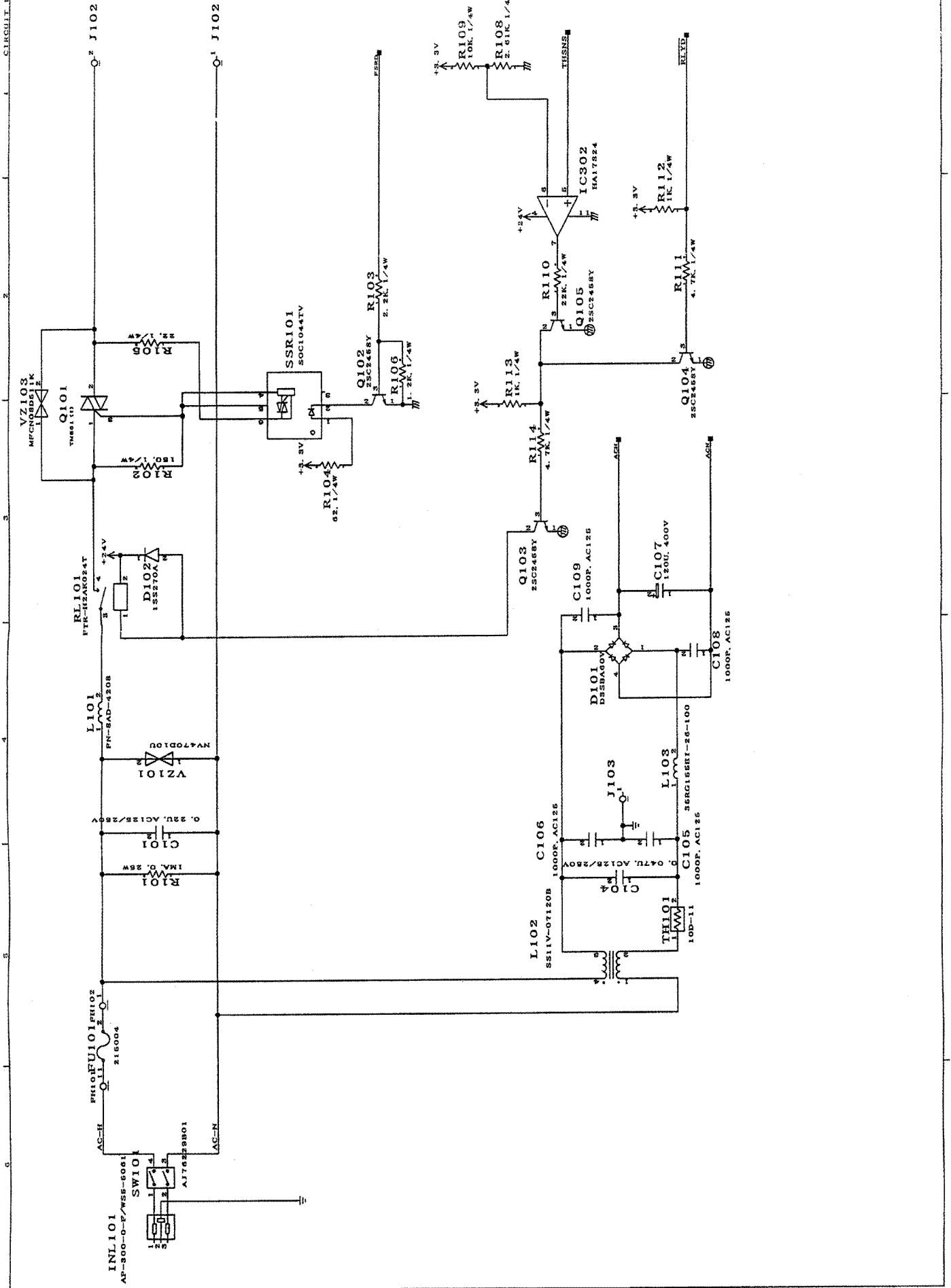
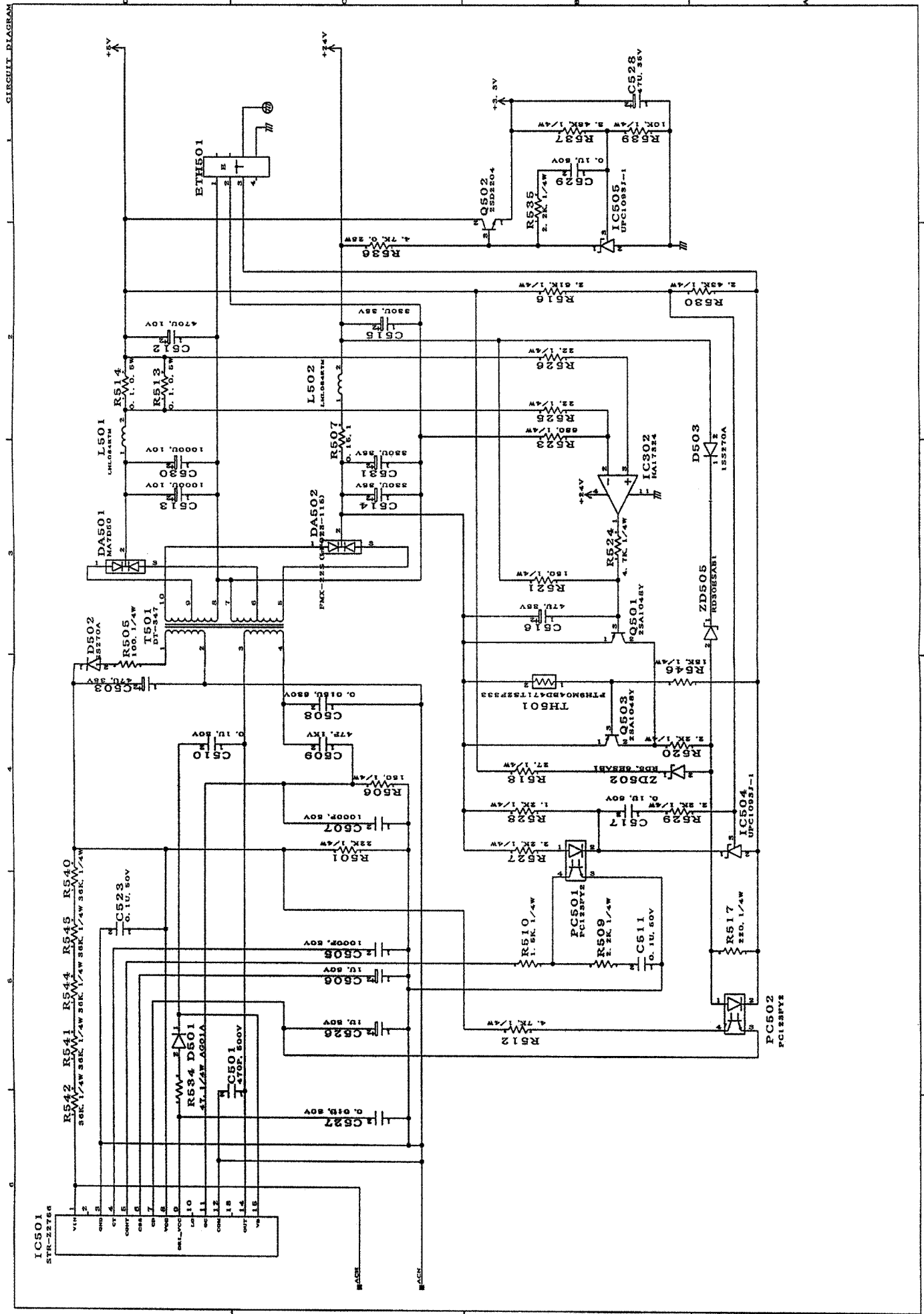
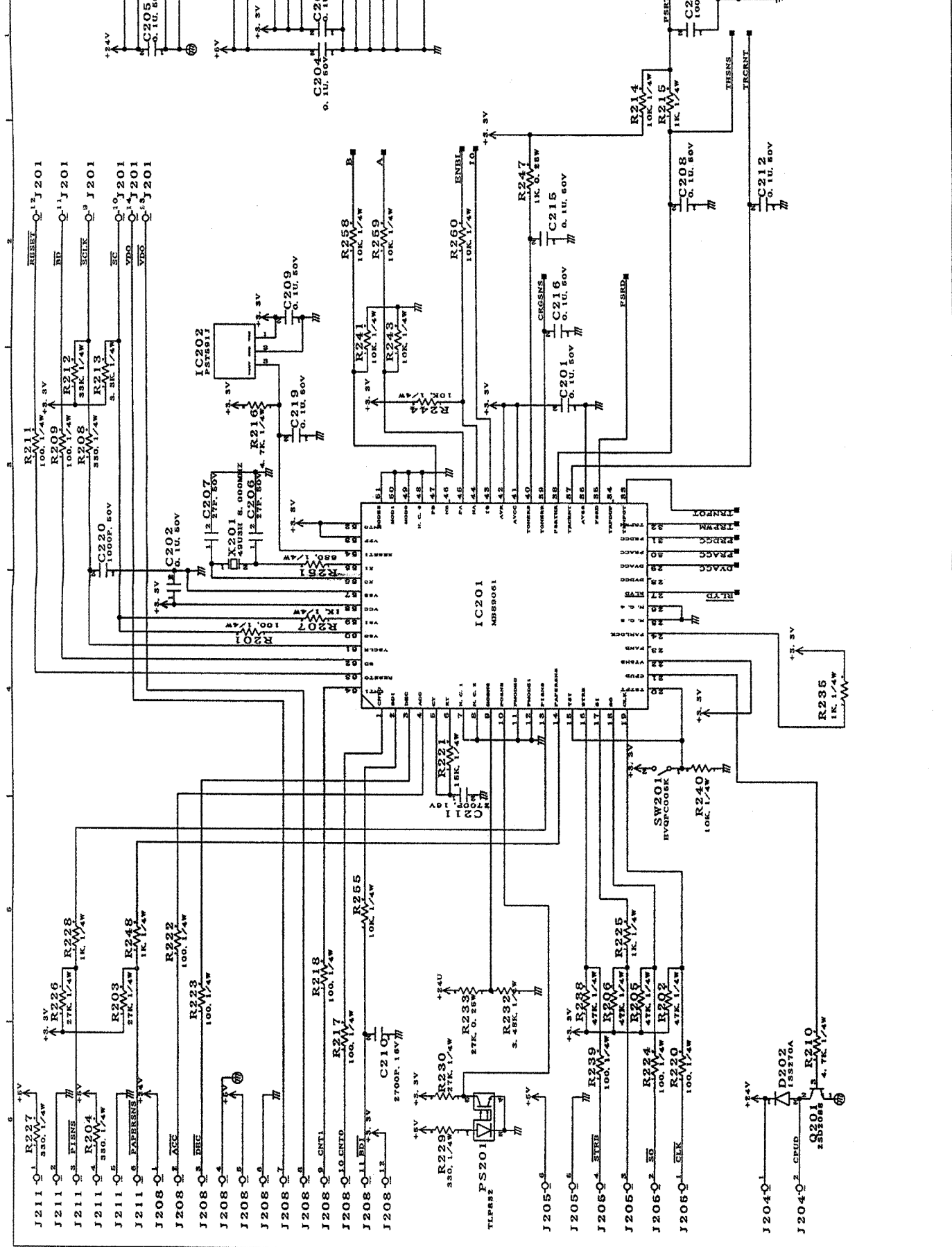


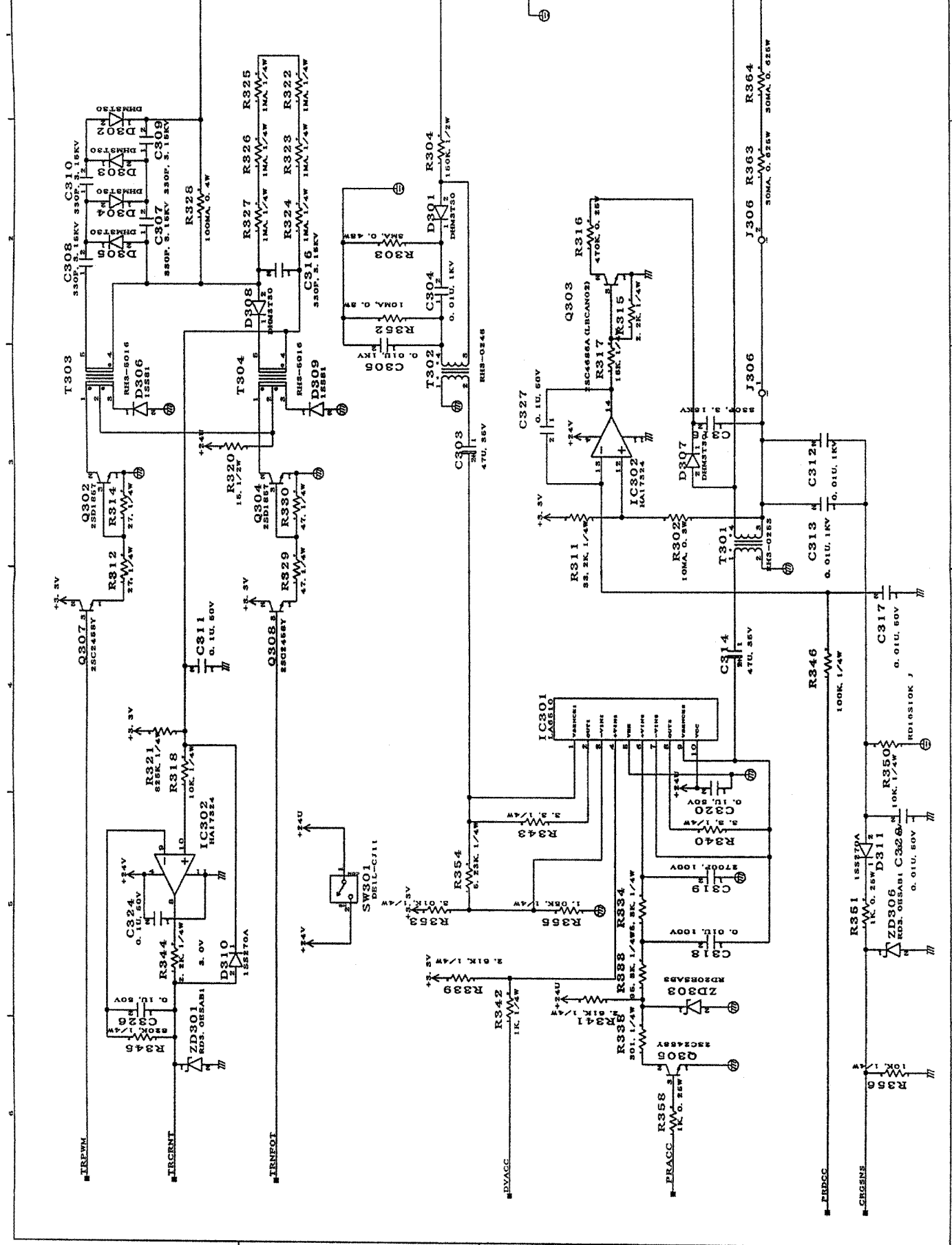
# FIGURE CD 1A ENGINE CONTROLLER PCB ASS'Y (220-240V) (2/2)











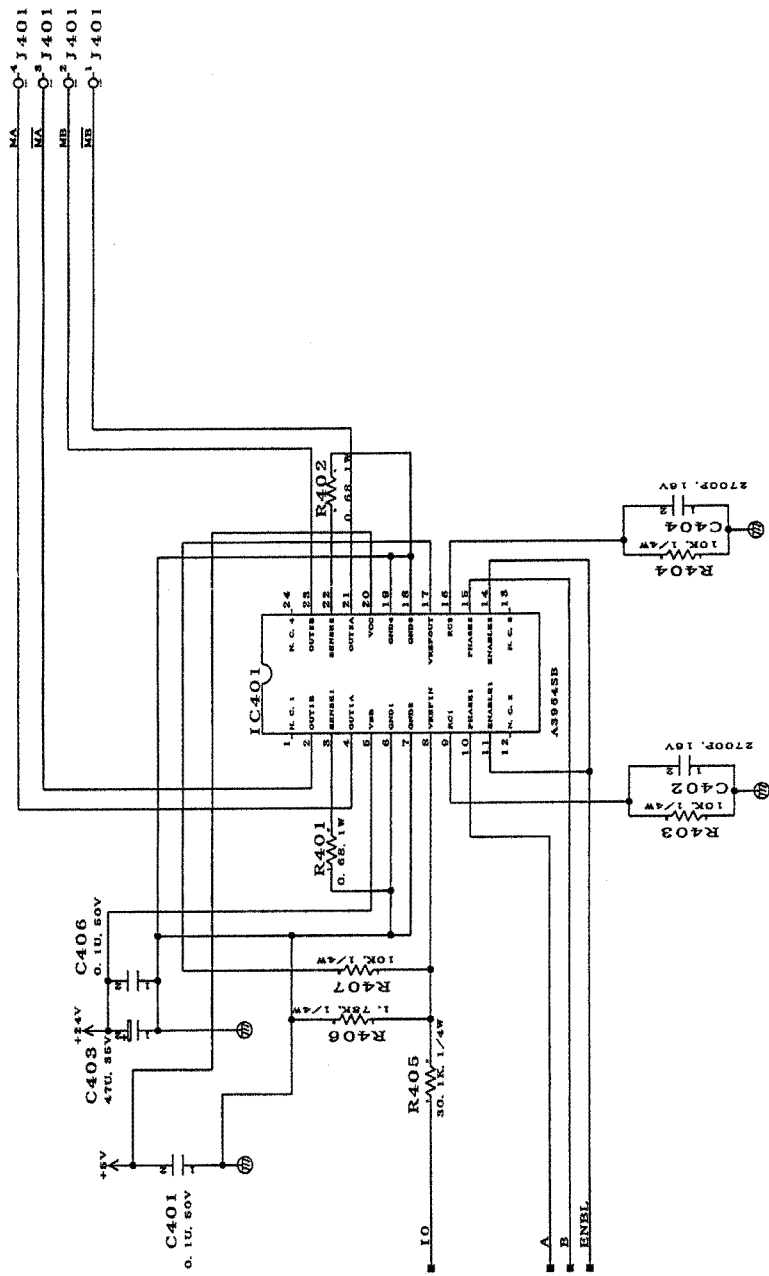


FIGURE & KEY NO.	PART NUMBER	R A N K	Q' T Y	DESCRIPTION	SERIAL NUMBER / REMARKS
CD 1A -	RG5-4606-080		1	ENGINE CONTROLLER PCB ASS'Y	220-240V
1	RB2-3983-000		1	SPACER, ENGINE CONTROLLER	
C101	VC8-8930-224	N	1	CAPACITOR, 0.22UF, 125/250V	
C104	VC8-8930-473	N	1	CAPACITOR, 0.047UF, 125/250V	
C105	VC9-5361-000		1	CAPACITOR, 1000PF	
C106	VC9-5361-000		1	CAPACITOR, 1000PF	
C107	VC9-5542-000		1	CAPACITOR, 120U, 400V	
C108	VC9-5361-000		1	CAPACITOR, 1000PF	
C109	VC9-5361-000		1	CAPACITOR, 1000PF	
C201	VC6-3000-104		1	CAPACITOR, 0.1UF, 50V	
C202	VC6-3000-104		1	CAPACITOR, 0.1UF, 50V	
C203	VC6-3000-104		1	CAPACITOR, 0.1UF, 50V	
C204	VC6-3000-104		1	CAPACITOR, 0.1UF, 50V	
C205	VC6-3000-104		1	CAPACITOR, 0.1UF, 50V	
C206	VC5-1720-270		1	CAPACITOR, 27PF, 50V	
C207	VC5-1720-270		1	CAPACITOR, 27PF, 50V	
C208	VC6-3000-104		1	CAPACITOR, 0.1UF, 50V	
C209	VC6-3000-104		1	CAPACITOR, 0.1UF, 50V	
C210	VC5-5970-272		1	CAPACITOR, 2700PF, 16V	
C211	VC5-5970-272		1	CAPACITOR, 2700PF, 16V	
C212	VC6-3000-104		1	CAPACITOR, 0.1UF, 50V	
C215	VC6-3000-104		1	CAPACITOR, 0.1UF, 50V	
C216	VC6-3000-104		1	CAPACITOR, 0.1UF, 50V	
C219	VC6-3000-104		1	CAPACITOR, 0.1UF, 50V	
C220	VC5-1730-102		1	CAPACITOR, 1000PF, 50V	
C223	VC5-1730-102		1	CAPACITOR, 1000PF, 50V	
C303	VC8-4950-476		1	CAPACITOR, 47UF, 35V	
C304	VC9-5104-000		1	CAPACITOR, 0.01UF, 1KV	
C305	VC9-5104-000		1	CAPACITOR, 0.01UF, 1KV	
C307	VC9-5114-000		1	CAPACITOR, 330PF, 3.15KV	
C308	VC9-5114-000		1	CAPACITOR, 330PF, 3.15KV	
C309	VC9-5114-000		1	CAPACITOR, 330PF, 3.15KV	
C310	VC9-5114-000		1	CAPACITOR, 330PF, 3.15KV	
C311	VC6-3000-104		1	CAPACITOR, 0.1UF, 50V	
C312	VC9-5104-000		1	CAPACITOR, 0.01UF, 1KV	
C313	VC9-5104-000		1	CAPACITOR, 0.01UF, 1KV	
C314	VC8-4950-476		1	CAPACITOR, 47UF, 35V	
C315	VC9-5114-000		1	CAPACITOR, 330PF, 3.15KV	
C316	VC9-5114-000		1	CAPACITOR, 330PF, 3.15KV	
C317	VC9-5443-000		1	CAPACITOR, 0.01UF, 50V	
C318	VC7-9000-103		1	CAPACITOR, 0.01UF, 100V	
C319	VC7-9000-272		1	CAPACITOR, 2700PF, 100V	
C320	VC6-3000-104		1	CAPACITOR, 0.1UF, 50V	
C324	VC6-3000-104		1	CAPACITOR, 0.1UF, 50V	
C326	VC6-3000-104		1	CAPACITOR, 0.1UF, 50V	
C327	VC6-3000-104		1	CAPACITOR, 0.1UF, 50V	
C328	VC9-5443-000		1	CAPACITOR, 0.01UF, 50V	
C401	VC6-3000-104		1	CAPACITOR, 0.1UF, 50V	
C402	VC5-5970-272		1	CAPACITOR, 2700PF, 16V	
C403	VC8-4950-476		1	CAPACITOR, 47UF, 35V	

FIGURE & KEY NO.	PART NUMBER	RANK	QTY	DESCRIPTION	SERIAL NUMBER / REMARKS
CD 1A - C404	VC5-5970-272		1	CAPACITOR, 2700PF, 16V	
C406	VC6-3000-104		1	CAPACITOR, 0.1UF, 50V	
C501	VC6-0160-471		1	CAPACITOR, 470PF, 500V	
C503	VC8-4950-476		1	CAPACITOR, 47UF, 35V	
C505	VC7-8510-102		1	CAPACITOR, 1000PF, 50V	
C506	VC8-4970-105		1	CAPACITOR, 1UF, 50V	
C507	VC5-1730-102		1	CAPACITOR, 1000PF, 50V	
C508	VC8-2880-153		1	CAPACITOR, 0.015UF, 630V	
C509	VC8-5130-470		1	CAPACITOR, 47P, 1KV	
C510	VC6-3000-104		1	CAPACITOR, 0.1UF, 50V	
C511	VC7-8510-104		1	CAPACITOR, 0.1UF, 50V	
C512	VC8-4930-477		1	CAPACITOR, 470UF, 10V	
C513	VC8-7440-108		1	CAPACITOR, 1000UF, 10V	
C514	VC8-7460-337		1	CAPACITOR, 330UF, 35V	
C515	VC8-7460-337		1	CAPACITOR, 330UF, 35V	
C516	VC8-4950-476		1	CAPACITOR, 47UF, 35V	
C517	VC7-8510-104		1	CAPACITOR, 0.1UF, 50V	
C523	VC6-3000-104		1	CAPACITOR, 0.1UF, 50V	
C526	VC8-4970-105		1	CAPACITOR, 1UF, 50V	
C527	VC9-5443-000		1	CAPACITOR, 0.01UF, 50V	
C528	VC8-4950-476		1	CAPACITOR, 47UF, 35V	
C529	VC7-8510-104		1	CAPACITOR, 0.1UF, 50V	
C530	VC8-7440-108		1	CAPACITOR, 1000UF, 10V	
C531	VC8-7460-337		1	CAPACITOR, 330UF, 35V	
D101	WA1-0933-000		1	DIODE, D3SBA60	
D102	WA1-0887-000		1	DIODE, 1SS270A	
D202	WA1-0887-000		1	DIODE, 1SS270A	
D301	WA1-6226-000		1	DIODE, DHM3T30	
D302	WA1-6226-000		1	DIODE, DHM3T30	
D303	WA1-6226-000		1	DIODE, DHM3T30	
D304	WA1-6226-000		1	DIODE, DHM3T30	
D305	WA1-6226-000		1	DIODE, DHM3T30	
D306	WA1-5735-000		1	DIODE, 1SS244	
D307	WA1-6226-000		1	DIODE, DHM3T30	
D308	WA1-6226-000		1	DIODE, DHM3T30	
D309	WA1-5735-000		1	DIODE, 1SS244	
D310	WA1-0887-000		1	DIODE, 1SS270A	
D311	WA1-0887-000		1	DIODE, 1SS270A	
D501	WA1-5839-000		1	DIODE, AG01A	
D502	WA1-0887-000		1	DIODE, 1SS270A	
D503	WA1-0887-000		1	DIODE, 1SS270A	
DA501	RB2-3981-030		1	HEATSINK	
	WA1-5794-000		1	DIODE, MA7D50	
DA501S	XA9-0235-000		1	SCREW, W/WASHER, M3X8	
DA502	WA1-6204-000		1	DIODE, ARRAY, FMX-22S	
DA502S	XA9-0235-000		1	SCREW, W/WASHER, M3X8	
FH101	WD9-5082-000		1	SOCKET, FUSE	
FH102	WD9-5082-000		1	SOCKET, FUSE	
FU101	VD7-0644-001		1	FUSE, 250V, 4A	
IC201	RH4-0240-070		1	IC, MB89061, MCU	



FIGURE & KEY NO.	PART NUMBER	R A N K	Q' T Y	DESCRIPTION	SERIAL NUMBER / REMARKS
CD 1A - IC202	WA4-6823-000		1	IC, PST591J, RESET	
IC301	WA4-6369-000		1	IC, LA6510, OP AMP	
IC302	WA4-0534-000		1	IC, HA17324	
IC401	RB2-4046-000		1	HEATSINK	
	WA4-7058-000		1	IC, A3964SB, DRIVER	
IC501	RB2-3982-000		1	HEATSINK	
	RH4-5376-000		1	IC, STR-Z2755, HYBRID	
IC501S1	XA9-0235-000		1	SCREW, W/WASHER, M3X8	
IC501S2	XA9-0235-000		1	SCREW, W/WASHER, M3X8	
IC504	WA4-5277-000		1	IC, UPC1093J-1, REGULATOR	
IC505	WA4-5277-000		1	IC, UPC1093J-1, REGULATOR	
INL101	RB2-3980-000		1	SHIELD, INLET	
	WS5-5061-000		1	CONNECTOR, 3P	
INL101S	XB2-7400-607		1	SCREW, W/WASHER, M4X6	
J102	WS1-5691-000		1	CONNECTOR, 2P	
J103	WT1-5167-000		1	LUG	
J201	VS1-5877-020		1	CONNECTOR, 20P	
J202	RB1-7306-000		1	PLATE, GROUNDING	
J204	VS1-5517-002		1	CONNECTOR, 2P	
J205	VS1-6223-006		1	CONNECTOR, 6P	
J206	VS1-5517-002		1	CONNECTOR, 2P	
J208	VS1-6222-012		1	CONNECTOR, 12P	
J211	VS1-6222-006		1	CONNECTOR, 6P	
J212	RB1-7306-000		1	PLATE, GROUNDING	
J303	RB1-7306-000		1	PLATE, GROUNDING	
J306	RB2-4218-000		1	PLATE	
J401	VS1-5517-004		1	CONNECTOR, 4P	
L101	RH3-0193-000		1	INDUCTOR, SK-08MD-4ZY	
L102	RH3-0238-000		1	INDUCTOR, SS11V-07120B	
L103	RH3-0235-000		1	COIL, CHOKE	
L501	VL7-0270-472		1	INDUCTOR, LHL084R7M	
L502	VL7-0270-472		1	INDUCTOR, LHL084R7M	
PC501	WG8-5310-000		1	IC, PC123FY2, PHOTO COUPLER	
PC502	WG8-5310-000		1	IC, PC123FY2, PHOTO COUPLER	
PS201	WG8-5397-000		1	IC,RPI-574N1,PHOTO-INTERRUPTER	
Q101	RH7-8064-000		1	HEATSINK	
	WA5-5005-000		1	TRIAC, 600V, 8A	
Q101S	XA9-0235-000		1	SCREW, W/WASHER, M3X8	
Q102	WA2-0197-000		1	TRANSISTOR, 2SC2458Y	
Q103	WA2-0197-000		1	TRANSISTOR, 2SC2458Y	
Q105	WA2-0197-000		1	TRANSISTOR, 2SC2458Y	
Q201	WA2-5106-000		1	TRANSISTOR, 2SD2213	
Q302	WA2-6511-000		1	TRANSISTOR, 2SD1857	
Q303	RH6-0120-000		1	TRANSISTOR, 2SC4572-RA	
Q304	WA2-6511-000		1	TRANSISTOR, 2SD1857	
Q305	WA2-0197-000		1	TRANSISTOR, 2SC2458Y	
Q307	WA2-0197-000		1	TRANSISTOR, 2SC2458Y	
Q308	WA2-0197-000		1	TRANSISTOR, 2SC2458Y	
Q501	WA2-0937-000		1	TRANSISTOR, 2SA1048Y	
Q502	RH7-8072-000		1	HEATSINK	

FIGURE & KEY NO.	PART NUMBER	RANK	QTY	DESCRIPTION	SERIAL NUMBER / REMARKS
CD 1A - Q502	WA2-6504-000		1	TRANSISTOR, 2SD2204	
Q502S	XA9-0235-000		1	SCREW, W/WASHER, M3X8	
R101	VR5-5510-105		1	RESISTOR, 1MOHM, 1/4W	
R102	VR5-6870-151		1	RESISTOR, 150 OHM, 1/4W	
R103	VR5-5510-222		1	RESISTOR, 2.2KOHM, 1/4W	
R104	VR5-5510-620		1	RESISTOR, 62 OHM, 1/4W	
R105	VR5-6870-220		1	RESISTOR, 22 OHM, 1/4W	
R106	VR5-5510-122		1	RESISTOR, 1.2KOHM, 1/4W	
R108	VR5-6412-611		1	RESISTOR, 2.61KOHM, 1/4W	
R109	VR5-6411-002		1	RESISTOR, 10KOHM, 1/4W	
R110	VR5-5510-223		1	RESISTOR, 22KOHM, 1/4W	
R111	VR5-5510-222		1	RESISTOR, 2.2KOHM, 1/4W	
R112	VR5-5510-102		1	RESISTOR, 1KOHM, 1/4W	
R113	VR5-5510-102		1	RESISTOR, 1KOHM, 1/4W	
R114	VR5-5510-472		1	RESISTOR, 4.7KOHM, 1/4W	
R201	VR5-5510-101		1	RESISTOR, 100 OHM, 1/4W	
R202	VR5-5510-473		1	RESISTOR, 47KOHM, 1/4W	
R203	VR5-5510-273		1	RESISTOR, 27KOHM, 1/4W	
R204	VR5-5510-331		1	RESISTOR, 330 OHM, 1/4W	
R205	VR5-5510-473		1	RESISTOR, 47KOHM, 1/4W	
R206	VR5-5510-473		1	RESISTOR, 47KOHM, 1/4W	
R207	VR5-5510-102		1	RESISTOR, 1KOHM, 1/4W	
R208	VR5-5510-331		1	RESISTOR, 330 OHM, 1/4W	
R209	VR5-5510-101		1	RESISTOR, 100 OHM, 1/4W	
R210	VR5-5510-472		1	RESISTOR, 4.7KOHM, 1/4W	
R211	VR5-5510-101		1	RESISTOR, 100 OHM, 1/4W	
R212	VR5-5510-333		1	RESISTOR, 33KOHM, 1/4W	
R213	VR5-5510-332		1	RESISTOR, 3.3KOHM, 1/4W	
R214	VR5-6411-002		1	RESISTOR, 10KOHM, 1/4W	
R215	VR5-5510-102		1	RESISTOR, 1KOHM, 1/4W	
R216	VR5-5510-472		1	RESISTOR, 4.7KOHM, 1/4W	
R217	VR5-5510-101		1	RESISTOR, 100 OHM, 1/4W	
R218	VR5-5510-101		1	RESISTOR, 100 OHM, 1/4W	
R220	VR5-5510-101		1	RESISTOR, 100 OHM, 1/4W	
R221	VR5-5510-153		1	RESISTOR, 15KOHM, 1/4W	
R222	VR5-5510-101		1	RESISTOR, 100 OHM, 1/4W	
R223	VR5-5510-101		1	RESISTOR, 100 OHM, 1/4W	
R224	VR5-5510-101		1	RESISTOR, 100 OHM, 1/4W	
R225	VR5-5510-102		1	RESISTOR, 1KOHM, 1/4W	
R226	VR5-5510-273		1	RESISTOR, 27KOHM, 1/4W	
R227	VR5-5510-331		1	RESISTOR, 330 OHM, 1/4W	
R228	VR5-5510-102		1	RESISTOR, 1KOHM, 1/4W	
R229	VR5-5510-331		1	RESISTOR, 330 OHM, 1/4W	
R230	VR5-5510-273		1	RESISTOR, 27KOHM, 1/4W	
R232	VR5-6413-481		1	RESISTOR, 3.48KOHM, 1/4W	
R233	VR5-5510-273		1	RESISTOR, 27KOHM, 1/4W	
R235	VR5-5510-102		1	RESISTOR, 1KOHM, 1/4W	
R238	VR5-5510-473		1	RESISTOR, 47KOHM, 1/4W	
R239	VR5-5510-101		1	RESISTOR, 100 OHM, 1/4W	
R240	VR5-5510-103		1	RESISTOR, 10KOHM, 1/4W	

FIGURE & KEY NO.	PART NUMBER	R A N K	Q' T Y	DESCRIPTION	SERIAL NUMBER / REMARKS
CD 1A -	R244	VR5-5510-103	1	RESISTOR, 10KOHM, 1/4W	
	R247	VR5-5510-102	1	RESISTOR, 1KOHM, 1/4W	
	R248	VR5-5510-102	1	RESISTOR, 1KOHM, 1/4W	
	R251	VR5-5510-681	1	RESISTOR, 680 OHM, 1/4W	
	R255	VR5-5510-103	1	RESISTOR, 10KOHM, 1/4W	
	R258	VR5-5510-103	1	RESISTOR, 10KOHM, 1/4W	
	R259	VR5-5510-103	1	RESISTOR, 10KOHM, 1/4W	
	R260	VR5-5510-103	1	RESISTOR, 10KOHM, 1/4W	
	R302	RH6-3857-000	1	RESISTOR, 10MOHM, 0.4W	
	R303	RH6-3712-000	1	RESISTOR, 3MOHM, 0.48W	
R304	VR5-1010-154	1	RESISTOR, 150KOHM, 1/2W		
R311	VR5-6413-402	1	RESISTOR, 34KOHM, 1/4W		
R312	VR5-5510-270	1	RESISTOR, 27 OHM, 1/4W		
R314	VR5-5510-270	1	RESISTOR, 27 OHM, 1/4W		
R315	VR5-5510-222	1	RESISTOR, 2.2KOHM, 1/4W		
R316	VR7-3750-474	1	RESISTOR, 470KOHM, 1/4W		
R317	VR5-5510-153	1	RESISTOR, 15KOHM, 1/4W		
R318	VR5-5510-103	1	RESISTOR, 10KOHM, 1/4W		
R320	VR5-1010-150	1	RESISTOR, 15 OHM, 1/2W		
R321	VR5-6418-253	1	RESISTOR, 825KOHM, 1/4W		
R322	VR5-5510-105	1	RESISTOR, 1MOHM, 1/4W		
R323	VR5-5510-105	1	RESISTOR, 1MOHM, 1/4W		
R324	VR5-5510-105	1	RESISTOR, 1MOHM, 1/4W		
R325	VR5-5510-105	1	RESISTOR, 1MOHM, 1/4W		
R326	VR5-5510-105	1	RESISTOR, 1MOHM, 1/4W		
R327	VR5-5510-105	1	RESISTOR, 1MOHM, 1/4W		
R328	RH6-3860-000	1	RESISTOR, 100MOHM, 0.4W		
R329	VR5-5510-470	1	RESISTOR, 47 OHM, 1/4W		
R330	VR5-5510-470	1	RESISTOR, 47 OHM, 1/4W		
R333	VR5-6419-532	1	RESISTOR, 95.3KOHM, 1/4W		
R334	VR5-6419-532	1	RESISTOR, 95.3KOHM, 1/4W		
R338	VR5-6413-010	1	RESISTOR, 301 OHM, 1/4W		
R339	VR5-6412-611	1	RESISTOR, 2.61KOHM, 1/4W		
R340	VR5-5510-339	1	RESISTOR, 3.3 OHM, 1/4W		
R341	VR5-6412-611	1	RESISTOR, 2.61KOHM, 1/4W		
R342	VR5-6411-001	1	RESISTOR, 1KOHM, 1/4W		
R343	VR5-5510-339	1	RESISTOR, 3.3 OHM, 1/4W		
R344	VR5-5510-222	1	RESISTOR, 2.2KOHM, 1/4W		
R345	VR5-5510-824	1	RESISTOR, 820KOHM, 1/4W		
R346	VR5-5510-104	1	RESISTOR, 100KOHM, 1/4W		
R350	VR5-5510-103	1	RESISTOR, 10KOHM, 1/4W		
R351	VR5-5510-102	1	RESISTOR, 1KOHM, 1/4W		
R352	RH6-3857-000	1	RESISTOR, 10MOHM, 0.4W		
R353	VR5-6413-011	1	RESISTOR, 3.01KOHM 1/4W		
R354	VR5-6415-231	1	RESISTOR, 5.23KOHM, 1/4W		
R355	VR5-6411-051	1	RESISTOR, 1.05KOHM, 1/4W		
R356	VR5-5510-103	1	RESISTOR, 10KOHM, 1/4W		
R358	VR5-5510-102	1	RESISTOR, 1KOHM, 1/4W		
R363	RH6-3900-000	1	RESISTOR, 30MOHM, 0.625W		
R364	RH6-3900-000	1	RESISTOR, 30MOHM, 0.625W		

FIGURE & KEY NO.	PART NUMBER	R A N K	Q' T Y	DESCRIPTION	SERIAL NUMBER / REMARKS
CD 1A - R401	VR9-3598-000		1	RESISTOR, 0.68 OHM, 1W	
R402	VR9-3598-000		1	RESISTOR, 0.68 OHM, 1W	
R403	VR5-5510-103		1	RESISTOR, 10KOHM, 1/4W	
R404	VR5-5510-103		1	RESISTOR, 10KOHM, 1/4W	
R405	VR5-6413-012		1	RESISTOR, 30.1KOHM, 1/4W	
R406	VR5-6411-781		1	RESISTOR, 1.78KOHM, 1/4W	
R407	VR5-6411-002		1	RESISTOR, 10KOHM, 1/4W	
R501	VR5-5510-223		1	RESISTOR, 22KOHM, 1/4W	
R505	VR5-5510-101		1	RESISTOR, 100 OHM, 1/4W	
R506	VR5-5510-151		1	RESISTOR, 150 OHM, 1/4W	
R507	VR7-7970-158		1	RESISTOR, 0.15 OHM, 1W	
R509	VR5-5510-222		1	RESISTOR, 2.2KOHM, 1/4W	
R510	VR5-5510-152		1	RESISTOR, 1.5KOHM, 1/4W	
R512	VR5-5510-472		1	RESISTOR, 4.7KOHM, 1/4W	
R513	VR9-5146-000		1	RESISTOR, 0.1 OHM, 1/2W	
R514	VR9-5146-000		1	RESISTOR, 0.1 OHM, 1/2W	
R516	VR5-6412-611		1	RESISTOR, 2.61KOHM, 1/4W	
R517	VR5-5510-221		1	RESISTOR, 220 OHM, 1/4W	
R518	VR5-5510-270		1	RESISTOR, 27 OHM, 1/4W	
R520	VR5-5510-222		1	RESISTOR, 2.2KOHM, 1/4W	
R521	VR5-5510-151		1	RESISTOR, 150 OHM, 1/4W	
R523	VR5-5510-681		1	RESISTOR, 680 OHM, 1/4W	
R524	VR5-5510-472		1	RESISTOR, 4.7KOHM, 1/4W	
R525	VR5-5510-220		1	RESISTOR, 22 OHM, 1/6W	
R526	VR5-5510-220		1	RESISTOR, 22 OHM, 1/6W	
R527	VR5-5510-222		1	RESISTOR, 2.2KOHM, 1/4W	
R528	VR5-5510-122		1	RESISTOR, 1.2KOHM, 1/4W	
R529	VR5-5510-222		1	RESISTOR, 2.2KOHM, 1/4W	
R530	VR5-6412-431		1	RESISTOR, 2.43KOHM, 1/4W	
R534	VR5-5510-470		1	RESISTOR, 47 OHM, 1/4W	
R535	VR5-5510-222		1	RESISTOR, 2.2KOHM, 1/4W	
R536	VR5-5510-472		1	RESISTOR, 4.7KOHM, 1/4W	
R537	VR5-6413-481		1	RESISTOR, 3.48KOHM, 1/4W	
R539	VR5-6411-002		1	RESISTOR, 10KOHM, 1/4W	
R540	VR5-5510-363		1	RESISTOR, 36KOHM, 1/4W	
R541	VR5-5510-363		1	RESISTOR, 36KOHM, 1/4W	
R542	VR5-5510-363		1	RESISTOR, 36KOHM, 1/4W	
R544	VR5-5510-363		1	RESISTOR, 36KOHM, 1/4W	
R545	VR5-5510-363		1	RESISTOR, 36KOHM, 1/4W	
RL101	WB8-5084-000		1	RELAY	
SSR101	WG8-5299-000		1	IC, SOC1044TV, PHOTO TRIAC	
SW101	RB2-4033-000		1	SHIELD, INLET	
	RH7-6054-000		1	SWITCH, TOGGLE	
SW101S	XB2-8300-807		1	SCREW, W/WASHER, M3X8	
SW201	WC2-5311-000	N	1	SWITCH, TACT	
SW301	RH7-6053-000		1	SWITCH, INTERLOCK	
TH101	WA8-5010-000		1	THERMISTOR	
TH501S	XB2-8300-607		1	SCREW, W/WASHER, M3X6	
VZ101	WA8-5351-000		1	VARISTOR, NV470D10U	
VZ103	WA8-5124-000		1	VARISTOR	



# A NUMERICAL INDEX

PART NUMBER	FIGURE & KEY NO.	PART NUMBER	FIGURE & KEY NO.	PART NUMBER	FIGURE & KEY NO.
RB1-7306-000	CD 1 - J202 CD 1 - J212 CD 1 - J303 CD 1A- J202 CD 1A- J212 CD 1A- J303	VC6-3000-104	CD 1 - C219 CD 1 - C311 CD 1 - C320 CD 1 - C324 CD 1 - C326 CD 1 - C327 CD 1 - C401 CD 1 - C406	VC9-5114-000	CD 1 - C307 CD 1 - C308 CD 1 - C309 CD 1 - C310 CD 1 - C315 CD 1 - C316 CD 1A- C307 CD 1A- C308 CD 1A- C309 CD 1A- C310 CD 1A- C315 CD 1A- C316
RB2-3980-000	CD 1 - INL101 CD 1A- INL101		CD 1 - C510 CD 1 - C523 CD 1A- C201 CD 1A- C202 CD 1A- C203 CD 1A- C204 CD 1A- C205 CD 1A- C208 CD 1A- C209 CD 1A- C212 CD 1A- C215 CD 1A- C216 CD 1A- C219 CD 1A- C311 CD 1A- C320 CD 1A- C324 CD 1A- C326 CD 1A- C327 CD 1A- C401 CD 1A- C406 CD 1A- C510 CD 1A- C512 CD 1A- C523 CD 1 - C501 CD 1 - C505 CD 1A- C505 CD 1 - C511 CD 1 - C517 CD 1 - C529 CD 1A- C511 CD 1A- C517 CD 1A- C529 CD 1 - C318 CD 1A- C318 CD 1 - C319 CD 1A- C319 CD 1A- C508 CD 1 - C508 CD 1 - C512 CD 1A- C512 CD 1 - C303 CD 1 - C314 CD 1 - C403 CD 1 - C503 CD 1 - C516 CD 1 - C528 CD 1A- C303 CD 1A- C314 CD 1A- C403 CD 1A- C503 CD 1A- C516 CD 1A- C528 CD 1 - C506 CD 1 - C526 CD 1A- C506 CD 1A- C526 CD 1A- C509 CD 1 - C513 CD 1 - C530 CD 1A- C513 CD 1A- C530 CD 1 - C514 CD 1 - C515 CD 1 - C531 CD 1A- C514 CD 1A- C515 CD 1A- C531 CD 1 - C101 CD 1A- C101 CD 1A- C104 CD 1 - C304 CD 1 - C305 CD 1 - C312 CD 1 - C313 CD 1A- C304 CD 1A- C305 CD 1A- C312 CD 1A- C313	VC9-5361-000	CD 1 - C105 CD 1 - C106 CD 1 - C108 CD 1 - C109 CD 1A- C105 CD 1A- C106 CD 1A- C108 CD 1A- C109 CD 1 - C317 CD 1 - C328 CD 1 - C527 CD 1A- C317 CD 1A- C328 CD 1A- C527 CD 1 - C509 CD 1 - C107 CD 1A- C107 CD 1 - FU101 CD 1A- FU101 CD 1 - L501 CD 1 - L502 CD 1A- L501 CD 1A- L502 CD 1 - L103 CD 1 - R320 CD 1A- R320 CD 1 - R304 CD 1A- R304 CD 1 - R201 CD 1 - R209 CD 1 - R211 CD 1 - R217 CD 1 - R218 CD 1 - R220 CD 1 - R222 CD 1 - R223 CD 1 - R224 CD 1 - R239 CD 1 - R505 CD 1A- R201 CD 1A- R209 CD 1A- R211 CD 1A- R217 CD 1A- R218 CD 1A- R220 CD 1A- R222 CD 1A- R223 CD 1A- R239 CD 1A- R505 CD 1 - R112 CD 1 - R113 CD 1 - R207 CD 1 - R215 CD 1 - R225 CD 1 - R228 CD 1 - R235 CD 1 - R247 CD 1 - R248 CD 1 - R351 CD 1 - R358 CD 1A- R112 CD 1A- R113 CD 1A- R207 CD 1A- R215 CD 1A- R225 CD 1A- R228 CD 1A- R235 CD 1A- R247 CD 1A- R248 CD 1A- R351 CD 1A- R358 CD 1 - R240
RB2-3981-030	CD 1 - DA501 CD 1A- DA501			VC9-5443-000	CD 1 - C317 CD 1 - C328 CD 1 - C527 CD 1A- C317 CD 1A- C328 CD 1A- C527 CD 1 - C509 CD 1 - C107 CD 1A- C107 CD 1 - FU101 CD 1A- FU101 CD 1 - L501 CD 1 - L502 CD 1A- L501 CD 1A- L502 CD 1 - L103 CD 1 - R320 CD 1A- R320 CD 1 - R304 CD 1A- R304 CD 1 - R201 CD 1 - R209 CD 1 - R211 CD 1 - R217 CD 1 - R218 CD 1 - R220 CD 1 - R222 CD 1 - R223 CD 1 - R224 CD 1 - R239 CD 1 - R505 CD 1A- R201 CD 1A- R209 CD 1A- R211 CD 1A- R217 CD 1A- R218 CD 1A- R220 CD 1A- R222 CD 1A- R223 CD 1A- R239 CD 1A- R505 CD 1 - R112 CD 1 - R113 CD 1 - R207 CD 1 - R215 CD 1 - R225 CD 1 - R228 CD 1 - R235 CD 1 - R247 CD 1 - R248 CD 1 - R351 CD 1 - R358 CD 1A- R112 CD 1A- R113 CD 1A- R207 CD 1A- R215 CD 1A- R225 CD 1A- R228 CD 1A- R235 CD 1A- R247 CD 1A- R248 CD 1A- R351 CD 1A- R358 CD 1 - R240
RB2-3982-000	CD 1 - IC501 CD 1A- IC501				
RB2-3983-000	CD 1 - 1 CD 1A- 1				
RB2-4033-000	CD 1 - SW101 CD 1A- SW101				
RB2-4046-000	CD 1 - IC401 CD 1A- IC401				
RB2-4218-000	CD 1 - J306 CD 1A- J306				
RG5-4606-080	CD 1A-				
RG5-5027-080	CD 1 -				
RH3-0193-000	CD 1 - L101 CD 1A- L101				
RH3-0235-000	CD 1A- L103				
RH3-0237-000	CD 1 - L102				
RH3-0238-000	CD 1A- L102				
RH3-8002-000	CD 1 - FU102				
RH4-0240-070	CD 1 - IC201 CD 1A- IC201				
RH4-5376-000	CD 1A- IC501	VC7-2090-102	CD 1 - C501		
RH4-5402-000	CD 1 - IC501	VC7-8510-102	CD 1 - C505		
RH5-0120-000	CD 1 - X201 CD 1A- X201	VC7-8510-104	CD 1A- C505 CD 1 - C511 CD 1 - C517 CD 1 - C529 CD 1A- C511 CD 1A- C517 CD 1A- C529 CD 1 - C318 CD 1A- C318 CD 1 - C319 CD 1A- C319 CD 1A- C508 CD 1 - C508 CD 1 - C512 CD 1A- C512 CD 1 - C303 CD 1 - C314 CD 1 - C403 CD 1 - C503 CD 1 - C516 CD 1 - C528 CD 1A- C303 CD 1A- C314 CD 1A- C403 CD 1A- C503 CD 1A- C516 CD 1A- C528 CD 1 - C506 CD 1 - C526 CD 1A- C506 CD 1A- C526 CD 1A- C509 CD 1 - C513 CD 1 - C530 CD 1A- C513 CD 1A- C530 CD 1 - C514 CD 1 - C515 CD 1 - C531 CD 1A- C514 CD 1A- C515 CD 1A- C531 CD 1 - C101 CD 1A- C101 CD 1A- C104 CD 1 - C304 CD 1 - C305 CD 1 - C312 CD 1 - C313 CD 1A- C304 CD 1A- C305 CD 1A- C312 CD 1A- C313		
RH6-0120-000	CD 1 - Q303 CD 1A- Q303				
RH6-3712-000	CD 1 - R303 CD 1A- R303				
RH6-3857-000	CD 1 - R302 CD 1 - R352 CD 1A- R302 CD 1A- R352	VC7-9000-103	CD 1 - C318 CD 1A- C318 CD 1 - C319 CD 1A- C319		
RH6-3860-000	CD 1 - R328 CD 1A- R328	VC7-9000-272	CD 1 - C319 CD 1A- C319		
RH6-3900-000	CD 1 - R363 CD 1 - R364 CD 1A- R363 CD 1A- R364	VC8-2880-153 VC8-3360-683 VC8-4930-477	CD 1A- C508 CD 1 - C508 CD 1 - C512 CD 1A- C512 CD 1 - C303 CD 1 - C314 CD 1 - C403 CD 1 - C503 CD 1 - C516 CD 1 - C528 CD 1A- C303 CD 1A- C314 CD 1A- C403 CD 1A- C503 CD 1A- C516 CD 1A- C528 CD 1 - C506 CD 1 - C526 CD 1A- C506 CD 1A- C526 CD 1A- C509 CD 1 - C513 CD 1 - C530 CD 1A- C513 CD 1A- C530 CD 1 - C514 CD 1 - C515 CD 1 - C531 CD 1A- C514 CD 1A- C515 CD 1A- C531 CD 1 - C101 CD 1A- C101 CD 1A- C104 CD 1 - C304 CD 1 - C305 CD 1 - C312 CD 1 - C313 CD 1A- C304 CD 1A- C305 CD 1A- C312 CD 1A- C313		
RH7-6053-000	CD 1 - SW301 CD 1A- SW301	VC8-4950-476	CD 1 - C303 CD 1 - C314 CD 1 - C403 CD 1 - C503 CD 1 - C516 CD 1 - C528 CD 1A- C303 CD 1A- C314 CD 1A- C403 CD 1A- C503 CD 1A- C516 CD 1A- C528 CD 1 - C506 CD 1 - C526 CD 1A- C506 CD 1A- C526 CD 1A- C509 CD 1 - C513 CD 1 - C530 CD 1A- C513 CD 1A- C530 CD 1 - C514 CD 1 - C515 CD 1 - C531 CD 1A- C514 CD 1A- C515 CD 1A- C531 CD 1 - C101 CD 1A- C101 CD 1A- C104 CD 1 - C304 CD 1 - C305 CD 1 - C312 CD 1 - C313 CD 1A- C304 CD 1A- C305 CD 1A- C312 CD 1A- C313		
RH7-6054-000	CD 1A- SW101				
RH7-6055-000	CD 1 - SW101				
RH7-8064-000	CD 1 - Q101 CD 1A- Q101				
RH7-8072-000	CD 1 - Q502 CD 1A- Q502				
VC5-1720-270	CD 1 - C206 CD 1 - C207 CD 1A- C206 CD 1A- C207				
VC5-1730-102	CD 1 - C220 CD 1 - C223 CD 1 - C507 CD 1A- C220 CD 1A- C223 CD 1A- C507	VC8-4970-105	CD 1 - C506 CD 1 - C526 CD 1A- C506 CD 1A- C526 CD 1A- C509 CD 1 - C513 CD 1 - C530 CD 1A- C513 CD 1A- C530 CD 1 - C514 CD 1 - C515 CD 1 - C531 CD 1A- C514 CD 1A- C515 CD 1A- C531 CD 1 - C101 CD 1A- C101 CD 1A- C104 CD 1 - C304 CD 1 - C305 CD 1 - C312 CD 1 - C313 CD 1A- C304 CD 1A- C305 CD 1A- C312 CD 1A- C313		
VC5-5970-272	CD 1 - C210 CD 1 - C211 CD 1 - C402 CD 1 - C404 CD 1A- C210 CD 1A- C211 CD 1A- C402 CD 1A- C404	VC8-5130-470 VC8-7440-108	CD 1 - C513 CD 1 - C530 CD 1A- C513 CD 1A- C530 CD 1 - C514 CD 1 - C515 CD 1 - C531 CD 1A- C514 CD 1A- C515 CD 1A- C531 CD 1 - C101 CD 1A- C101 CD 1A- C104 CD 1 - C304 CD 1 - C305 CD 1 - C312 CD 1 - C313 CD 1A- C304 CD 1A- C305 CD 1A- C312 CD 1A- C313		
VC6-0160-471 VC6-3000-104	CD 1 - C201 CD 1 - C202 CD 1 - C203 CD 1 - C204 CD 1 - C205 CD 1 - C208 CD 1 - C209 CD 1 - C212 CD 1 - C215 CD 1 - C216	VC8-8930-224 VC8-8930-473 VC9-5104-000	CD 1 - C101 CD 1A- C101 CD 1A- C104 CD 1 - C304 CD 1 - C305 CD 1 - C312 CD 1 - C313 CD 1A- C304 CD 1A- C305 CD 1A- C312 CD 1A- C313		

PART NUMBER	FIGURE & KEY NO.	PART NUMBER	FIGURE & KEY NO.	PART NUMBER	FIGURE & KEY NO.
VR5-5510-103	CD 1 - R244 CD 1 - R255 CD 1 - R258 CD 1 - R259 CD 1 - R260 CD 1 - R318 CD 1 - R350 CD 1 - R356 CD 1 - R403 CD 1 - R404 CD 1A- R240 CD 1A- R244 CD 1A- R255 CD 1A- R258 CD 1A- R259 CD 1A- R260 CD 1A- R318 CD 1A- R350 CD 1A- R356 CD 1A- R403 CD 1A- R404	VR5-5510-273	CD 1 - R226 CD 1 - R230 CD 1 - R233 CD 1 - R540 CD 1 - R541 CD 1 - R542 CD 1A- R203 CD 1A- R226 CD 1A- R230 CD 1A- R233 CD 1 - R204 CD 1 - R208 CD 1 - R227 CD 1 - R229 CD 1A- R204 CD 1A- R208 CD 1A- R227 CD 1A- R229	VR5-6412-611	CD 1 - R516 CD 1A- R108 CD 1A- R339 CD 1A- R341 CD 1A- R516 CD 1 - R338 CD 1A- R338 CD 1 - R353 CD 1A- R353 CD 1 - R405 CD 1A- R405 CD 1 - R311 CD 1A- R311 CD 1 - R232 CD 1 - R537 CD 1A- R232 CD 1A- R537 CD 1 - R354 CD 1A- R354 CD 1 - R321 CD 1A- R321
VR5-5510-104	CD 1 - R346 CD 1A- R346	VR5-5510-331	CD 1 - R204 CD 1 - R208 CD 1 - R227 CD 1 - R229 CD 1A- R204 CD 1A- R208 CD 1A- R227 CD 1A- R229	VR5-6413-010	CD 1 - R338 CD 1A- R338 CD 1 - R353 CD 1A- R353 CD 1 - R405 CD 1A- R405 CD 1 - R311 CD 1A- R311 CD 1 - R232 CD 1 - R537 CD 1A- R232 CD 1A- R537 CD 1 - R354 CD 1A- R354 CD 1 - R321 CD 1A- R321
VR5-5510-105	CD 1 - R101 CD 1 - R322 CD 1 - R323 CD 1 - R324 CD 1 - R325 CD 1 - R326 CD 1 - R327 CD 1A- R101 CD 1A- R322 CD 1A- R323 CD 1A- R324 CD 1A- R325 CD 1A- R326 CD 1A- R327	VR5-5510-332	CD 1 - R213 CD 1A- R213	VR5-6413-011	CD 1 - R353 CD 1A- R353 CD 1 - R405 CD 1A- R405 CD 1 - R311 CD 1A- R311 CD 1 - R232 CD 1 - R537 CD 1A- R232 CD 1A- R537 CD 1 - R354 CD 1A- R354 CD 1 - R321 CD 1A- R321
VR5-5510-122	CD 1 - R106 CD 1 - R528 CD 1A- R106 CD 1A- R528	VR5-5510-333	CD 1 - R212 CD 1A- R212	VR5-6413-481	CD 1 - R333 CD 1 - R334 CD 1A- R333 CD 1A- R334 CD 1 - R102 CD 1A- R102 CD 1 - R105 CD 1A- R105 CD 1 - R316 CD 1A- R316 CD 1 - R507 CD 1A- R507 CD 1 - R401 CD 1 - R402 CD 1A- R401 CD 1A- R402 CD 1 - R513 CD 1 - R514 CD 1A- R513 CD 1A- R514
VR5-5510-151	CD 1 - R521 CD 1A- R506 CD 1A- R521	VR5-5510-339	CD 1 - R340 CD 1 - R343 CD 1A- R340 CD 1A- R343	VR5-6418-253	CD 1 - R334 CD 1A- R333 CD 1A- R334 CD 1 - R102 CD 1A- R102 CD 1 - R105 CD 1A- R105 CD 1 - R316 CD 1A- R316 CD 1 - R507 CD 1A- R507 CD 1 - R401 CD 1 - R402 CD 1A- R401 CD 1A- R402 CD 1 - R513 CD 1 - R514 CD 1A- R513 CD 1A- R514
VR5-5510-152	CD 1 - R510 CD 1A- R510	VR5-5510-363	CD 1A- R540 CD 1A- R541 CD 1A- R542 CD 1A- R544 CD 1A- R545 CD 1 - R329 CD 1 - R330 CD 1 - R534 CD 1A- R329 CD 1A- R330 CD 1A- R534	VR5-6419-532	CD 1 - R102 CD 1A- R102 CD 1 - R105 CD 1A- R105 CD 1 - R316 CD 1A- R316 CD 1 - R507 CD 1A- R507 CD 1 - R401 CD 1 - R402 CD 1A- R401 CD 1A- R402 CD 1 - R513 CD 1 - R514 CD 1A- R513 CD 1A- R514
VR5-5510-153	CD 1 - R221 CD 1 - R317 CD 1A- R221 CD 1A- R317	VR5-5510-470	CD 1 - R329 CD 1 - R330 CD 1 - R534 CD 1A- R329 CD 1A- R330 CD 1A- R534	VR5-6870-151	CD 1 - R204 CD 1 - J206 CD 1A- J204 CD 1A- J206 CD 1 - J401 CD 1A- J401 CD 1 - J201 CD 1A- J201 CD 1 - J211 CD 1A- J211 CD 1 - J208 CD 1A- J208 CD 1 - J205 CD 1A- J205 CD 1 - D102 CD 1 - D202 CD 1 - D310 CD 1 - D311 CD 1 - D502 CD 1 - D503 CD 1A- D102 CD 1A- D202 CD 1A- D310 CD 1A- D311 CD 1A- D502 CD 1A- D503 CD 1 - D101 CD 1A- D101 CD 1 - ZD502 CD 1A- ZD502 CD 1 - D306 CD 1 - D309 CD 1A- D306 CD 1A- D309 CD 1 - DA501 CD 1A- DA501 CD 1 - D501 CD 1A- D501 CD 1 - ZD505 CD 1A- ZD505 CD 1 - ZD301 CD 1 - ZD306 CD 1A- ZD301 CD 1A- ZD306
VR5-5510-220	CD 1 - R525 CD 1 - R526 CD 1A- R525 CD 1A- R526	VR5-5510-472	CD 1 - R114 CD 1 - R210 CD 1 - R216 CD 1 - R512 CD 1 - R524 CD 1 - R527 CD 1 - R536 CD 1A- R114 CD 1A- R210 CD 1A- R216 CD 1A- R512 CD 1A- R524 CD 1A- R536 CD 1 - R202 CD 1 - R205 CD 1 - R206 CD 1 - R238 CD 1A- R202 CD 1A- R205 CD 1A- R206 CD 1A- R238	VR5-6870-220	CD 1 - R102 CD 1A- R102 CD 1 - R105 CD 1A- R105 CD 1 - R316 CD 1A- R316 CD 1 - R507 CD 1A- R507 CD 1 - R401 CD 1 - R402 CD 1A- R401 CD 1A- R402 CD 1 - R513 CD 1 - R514 CD 1A- R513 CD 1A- R514
VR5-5510-221	CD 1 - R517 CD 1A- R517	VR5-5510-473	CD 1 - R202 CD 1 - R205 CD 1 - R206 CD 1 - R238 CD 1A- R202 CD 1A- R205 CD 1A- R206 CD 1A- R238	VR7-3750-474	CD 1 - R102 CD 1A- R102 CD 1 - R105 CD 1A- R105 CD 1 - R316 CD 1A- R316 CD 1 - R507 CD 1A- R507 CD 1 - R401 CD 1 - R402 CD 1A- R401 CD 1A- R402 CD 1 - R513 CD 1 - R514 CD 1A- R513 CD 1A- R514
VR5-5510-222	CD 1 - R103 CD 1 - R111 CD 1 - R315 CD 1 - R344 CD 1 - R509 CD 1 - R520 CD 1 - R529 CD 1 - R535 CD 1A- R103 CD 1A- R111 CD 1A- R315 CD 1A- R344 CD 1A- R509 CD 1A- R520 CD 1A- R529 CD 1A- R535	VR5-5510-620	CD 1 - R104 CD 1A- R104	VR7-7970-158	CD 1 - R102 CD 1A- R102 CD 1 - R105 CD 1A- R105 CD 1 - R316 CD 1A- R316 CD 1 - R507 CD 1A- R507 CD 1 - R401 CD 1 - R402 CD 1A- R401 CD 1A- R402 CD 1 - R513 CD 1 - R514 CD 1A- R513 CD 1A- R514
VR5-5510-223	CD 1 - R110 CD 1 - R501 CD 1A- R110 CD 1A- R501	VR5-5510-681	CD 1 - R251 CD 1 - R523 CD 1A- R251 CD 1A- R523	VR9-3598-000	CD 1 - R204 CD 1 - J206 CD 1A- J204 CD 1A- J206 CD 1 - J401 CD 1A- J401 CD 1 - J201 CD 1A- J201 CD 1 - J211 CD 1A- J211 CD 1 - J208 CD 1A- J208 CD 1 - J205 CD 1A- J205 CD 1 - D102 CD 1 - D202 CD 1 - D310 CD 1 - D311 CD 1 - D502 CD 1 - D503 CD 1A- D102 CD 1A- D202 CD 1A- D310 CD 1A- D311 CD 1A- D502 CD 1A- D503 CD 1 - D101 CD 1A- D101 CD 1 - ZD502 CD 1A- ZD502 CD 1 - D306 CD 1 - D309 CD 1A- D306 CD 1A- D309 CD 1 - DA501 CD 1A- DA501 CD 1 - D501 CD 1A- D501 CD 1 - ZD505 CD 1A- ZD505 CD 1 - ZD301 CD 1 - ZD306 CD 1A- ZD301 CD 1A- ZD306
VR5-5510-270	CD 1 - R312 CD 1 - R314 CD 1 - R518 CD 1A- R312 CD 1A- R314 CD 1A- R518	VR5-6411-001	CD 1 - R104 CD 1A- R104	VR9-5146-000	CD 1 - R513 CD 1 - R514 CD 1A- R513 CD 1A- R514
VR5-5510-271	CD 1 - R506	VR5-6411-002	CD 1 - R109 CD 1 - R214 CD 1 - R407 CD 1 - R539 CD 1A- R109 CD 1A- R214 CD 1A- R407 CD 1A- R539	VS1-5517-002	CD 1 - R513 CD 1 - R514 CD 1 - R527 CD 1 - R536 CD 1A- R114 CD 1A- R210 CD 1A- R216 CD 1A- R512 CD 1A- R524 CD 1A- R527 CD 1 - R536 CD 1A- R114 CD 1A- R210 CD 1A- R216 CD 1A- R512 CD 1A- R524 CD 1A- R536 CD 1 - R202 CD 1 - R205 CD 1 - R206 CD 1 - R238 CD 1A- R202 CD 1A- R205 CD 1A- R206 CD 1A- R238
VR5-5510-273	CD 1 - R203	VR5-6411-051	CD 1 - R345 CD 1A- R345 CD 1 - R342 CD 1A- R342	VS1-5517-004	CD 1 - R513 CD 1 - R514 CD 1A- R513 CD 1A- R514

PART NUMBER	FIGURE & KEY NO.	PART NUMBER	FIGURE & KEY NO.	PART NUMBER	FIGURE & KEY NO.
WA1-6202-000	CD 1 - ZD303	XA9-0235-000	CD 1 - DA502S		
	CD 1A- ZD303		CD 1 - IC501S1		
WA1-6204-000	CD 1 - DA502				
	CD 1A- DA502		CD 1 - IC501S2		
WA1-6226-000	CD 1 - D301				
	CD 1 - D302		CD 1 - Q101S		
	CD 1 - D303		CD 1 - Q502S		
	CD 1 - D304		CD 1A- DA501S		
	CD 1 - D305		CD 1A- DA502S		
	CD 1 - D307		CD 1A- IC501S1		
	CD 1 - D308				
	CD 1A- D301		CD 1A- IC501S2		
	CD 1A- D302				
	CD 1A- D303		CD 1A- Q101S		
	CD 1A- D304		CD 1A- Q502S		
	CD 1A- D305	XB2-7400-607	CD 1 - INL101S		
	CD 1A- D307				
	CD 1A- D308		CD 1A- INL101S		
WA2-0197-000	CD 1 - Q102				
	CD 1 - Q103	XB2-8300-607	CD 1 - TH501S		
	CD 1 - Q105		CD 1A- TH501S		
	CD 1 - Q305	XB2-8300-807	CD 1 - SW101S		
	CD 1 - Q307		CD 1A- SW101S		
	CD 1 - Q308				
	CD 1A- Q102				
	CD 1A- Q103				
	CD 1A- Q105				
	CD 1A- Q305				
	CD 1A- Q307				
	CD 1A- Q308				
WA2-0937-000	CD 1 - Q501				
	CD 1A- Q501				
WA2-5106-000	CD 1 - Q201				
	CD 1A- Q201				
WA2-6504-000	CD 1 - Q502				
	CD 1A- Q502				
WA2-6511-000	CD 1 - Q302				
	CD 1 - Q304				
	CD 1A- Q302				
	CD 1A- Q304				
WA4-0534-000	CD 1 - IC302				
	CD 1A- IC302				
WA4-5277-000	CD 1 - IC504				
	CD 1 - IC505				
	CD 1A- IC504				
	CD 1A- IC505				
WA4-6369-000	CD 1 - IC301				
	CD 1A- IC301				
WA4-6823-000	CD 1 - IC202				
	CD 1A- IC202				
WA4-7058-000	CD 1 - IC401				
	CD 1A- IC401				
WA5-5005-000	CD 1 - Q101				
	CD 1A- Q101				
WA8-5010-000	CD 1A- TH101				
WA8-5124-000	CD 1 - VZ103				
	CD 1A- VZ103				
WA8-5351-000	CD 1 - VZ101				
	CD 1A- VZ101				
WB8-5084-000	CD 1 - RL101				
	CD 1A- RL101				
WC2-5311-000	CD 1 - SW201				
	CD 1A- SW201				
WD8-5080-000	CD 1 - TH101				
WD9-5082-000	CD 1 - FH101				
	CD 1 - FH102				
	CD 1 - FH103				
	CD 1 - FH104				
	CD 1A- FH101				
	CD 1A- FH102				
WG8-5299-000	CD 1A- SSR101				
WG8-5310-000	CD 1A- PC501				
	CD 1A- PC502				
WG8-5313-000	CD 1 - PC501				
	CD 1 - PC502				
WG8-5351-000	CD 1 - SSR101				
WG8-5397-000	CD 1 - PS201				
	CD 1A- PS201				
WS1-5691-000	CD 1 - J102				
	CD 1A- J102				
WS5-5061-000	CD 1 - INL101				
	CD 1A- INL101				
WT1-5167-000	CD 1 - J103				
	CD 1A- J103				
XA9-0235-000	CD 1 - DA501S				





