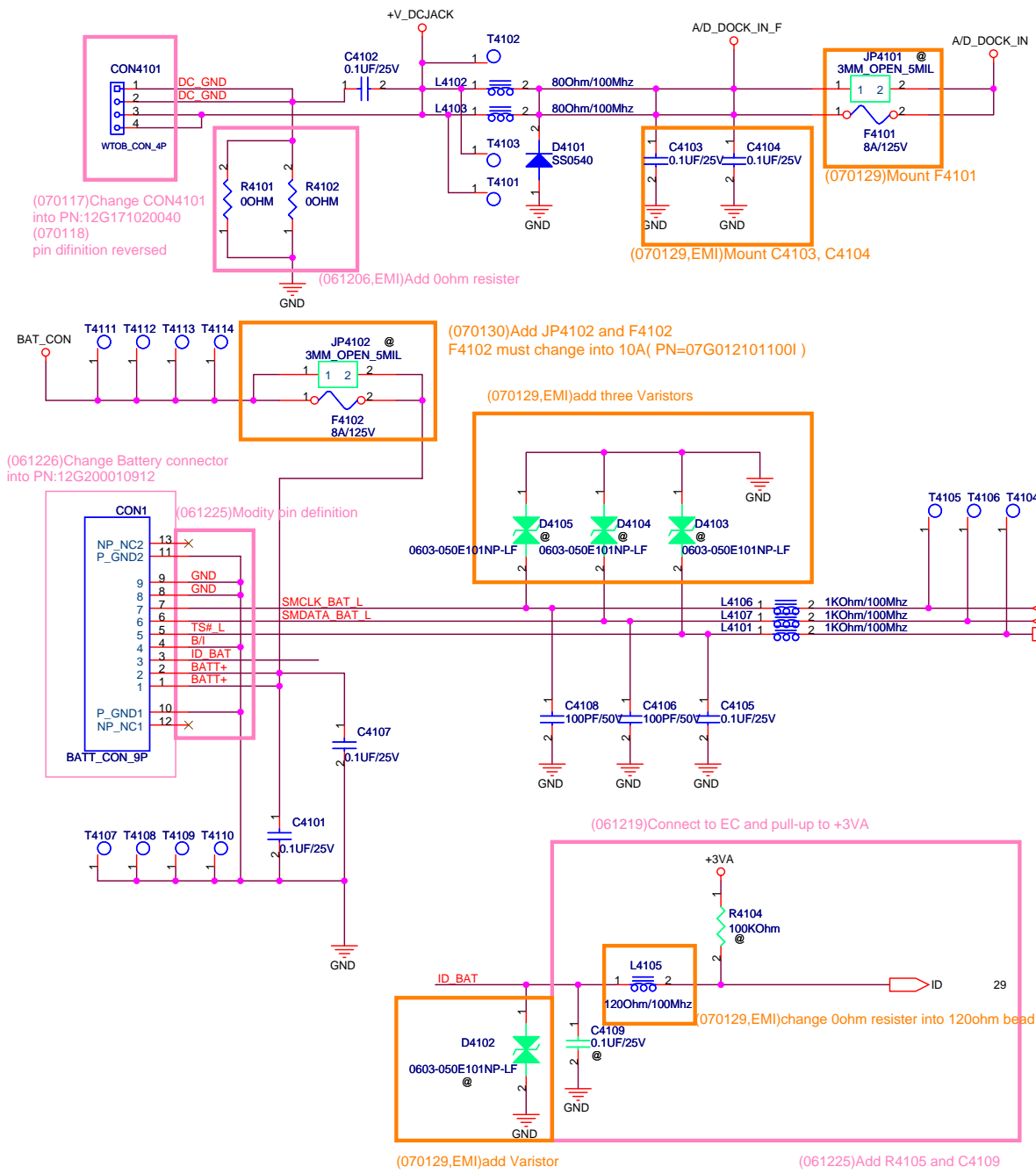


# DC Power Jack



(070117)Change CON4101 into PN:12G171020040 (070118) pin definition reversed

(061206,EMI)Add 0ohm resistor

(070129,EMI)Mount C4103, C4104

(070129)Mount F4101

(070130)Add JP4102 and F4102 F4102 must change into 10A( PN=07G0121011001 )

(070129,EMI)add three Varistors

(061226)Change Battery connector into PN:12G200010912

(061225)Modity bin definition

(detect BATTERY IN)

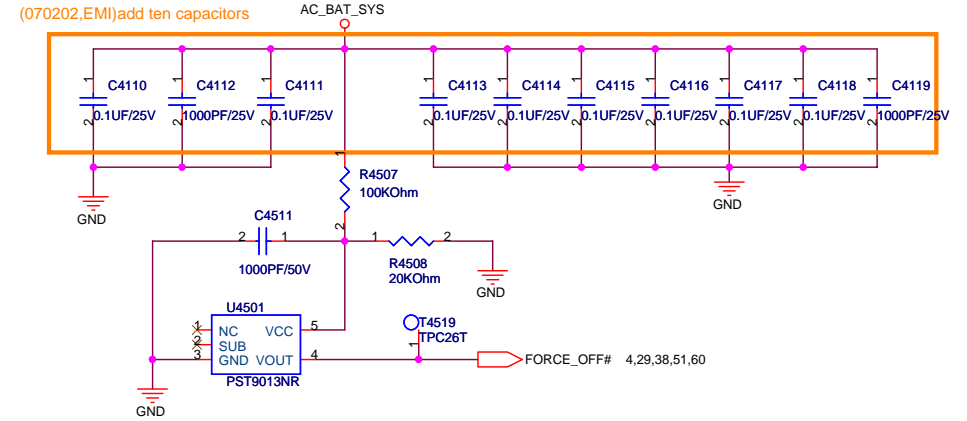
(061219)Connect to EC and pull-up to +3VA

(070129,EMI)change 0ohm resistor into 120ohm bead

(070129,EMI)add Varistor

(061225)Add R4105 and C4109

## Without Battery & Pull out Adapter



(070202,EMI)add ten capacitors

<b>ASUSALPHA</b>		<b>Title : DC/ BATT IN</b>	
ASUSALPHATeK COMPUTER INC.		Engineer: <b>Horng Chou</b>	
Size Custom	Project Name <b>TERESA</b>	Date: Monday, February 05, 2007	Rev 1.1
Sheet 41 of 57		1	