

DAVOS 3.0

UMA MV2 BUILD

2006.02.24

DATE	CHANGE NO.	REV

DRAWN	EE	DATE	POWER	DATE	INVENTEC			
DESIGN					TITLE DAVOS 3.0			
CHECK								
RESPONSIBLE								
SIZE =	3			VER :	SIZE	CODE	DOC. NUMBER	REV
FILE NAME :	XXXX-XXXXXX-XX				A3	CS	<i>Model No</i>	AX2
P/N	XXXXXXXXXXXX				SHEET	1	OF	63

TABLE OF CONTENTS

PAGE	PAGE	PAGE
5- DC& BATTERY CHANGER	28- CRT& SVEDIO CONN	48- USB CONN
6- SELECT & BATTERY CONN	29- LCD CONN	(USB DAUGHTER BOARD)
7- SYSTEM POWER(3V/5V)	30- ICH7-1	49- CARDBUS CONTROLL
8- SYSTEM POWER(+V1.8/+V1.5S)	31- ICH7-2	50- PC CARD SLOT
9- SYSTEM POWER(+VCCP/+V2.5S)	32- ICH7-3	51- 1394 CONN
10- CPU POWER(VCC_CORE)	33- ICH7-4	52- MINI CARD & SIM
11- +V0.9S	34- ICH7-5	53- LAN INTERFACE-1
12- POWER(SLEEP)	35- USB2.0 HUB	54- LAN RJ45 CONN
13- POWER(SEQUENCE)	36- FINGER PRINT	55- DOCKING CONN
14- CLOCK_GENERATOR	37- KBC	56- MDC CONN
15- Yonah-1	38- SPI	57- BLANK
16- Yonah-2	39- INT.KBC/POINT DEVICES	58- BLUETOOTH
17- Yonah-3	40- SUPER I/O	59- LED / LID_SWITCH
18- Yonah-4	41- SERIAL PORT	60- LED BOARD / CNN
19- THERMAL&FAN CONTROLLER	(SERIAL DAUGHTER BOARD)	(LED DAUGHTER BOARD)
20- Calistoga-1	42- PARALLEL PORT	61- SCREW
21- Calistoga-2	43- AZALIA CODEC	62- 7 IN 1 SOCKET
22- Calistoga-3	44- EQ&MIC JACK	63- CABLE
23- Calostoga-4	45- AUDIO AMP&HP JACK	
24- Calistoga-5	46- SATA_HDD CONN	
25- DDR2-DIMM0	47- ODD CONN	
26- DDR2-DIMM1		
27- DDR2-DAMPING		

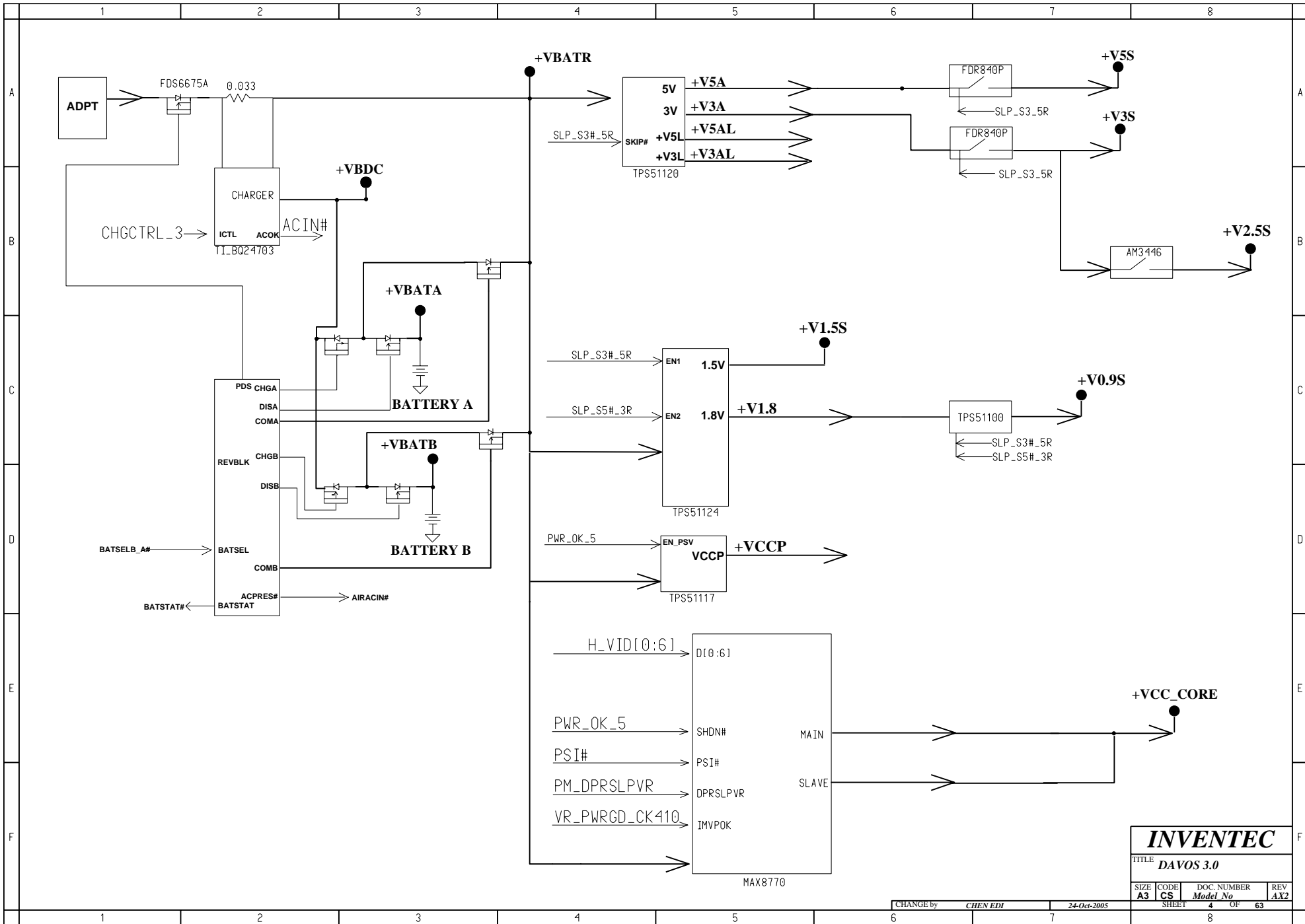
INVENTEC

TITLE *DAVOS 3.0*

SIZE A3	CODE CS	DOC. NUMBER <i>Model No</i>	REV AX2
-------------------	-------------------	--------------------------------	-------------------

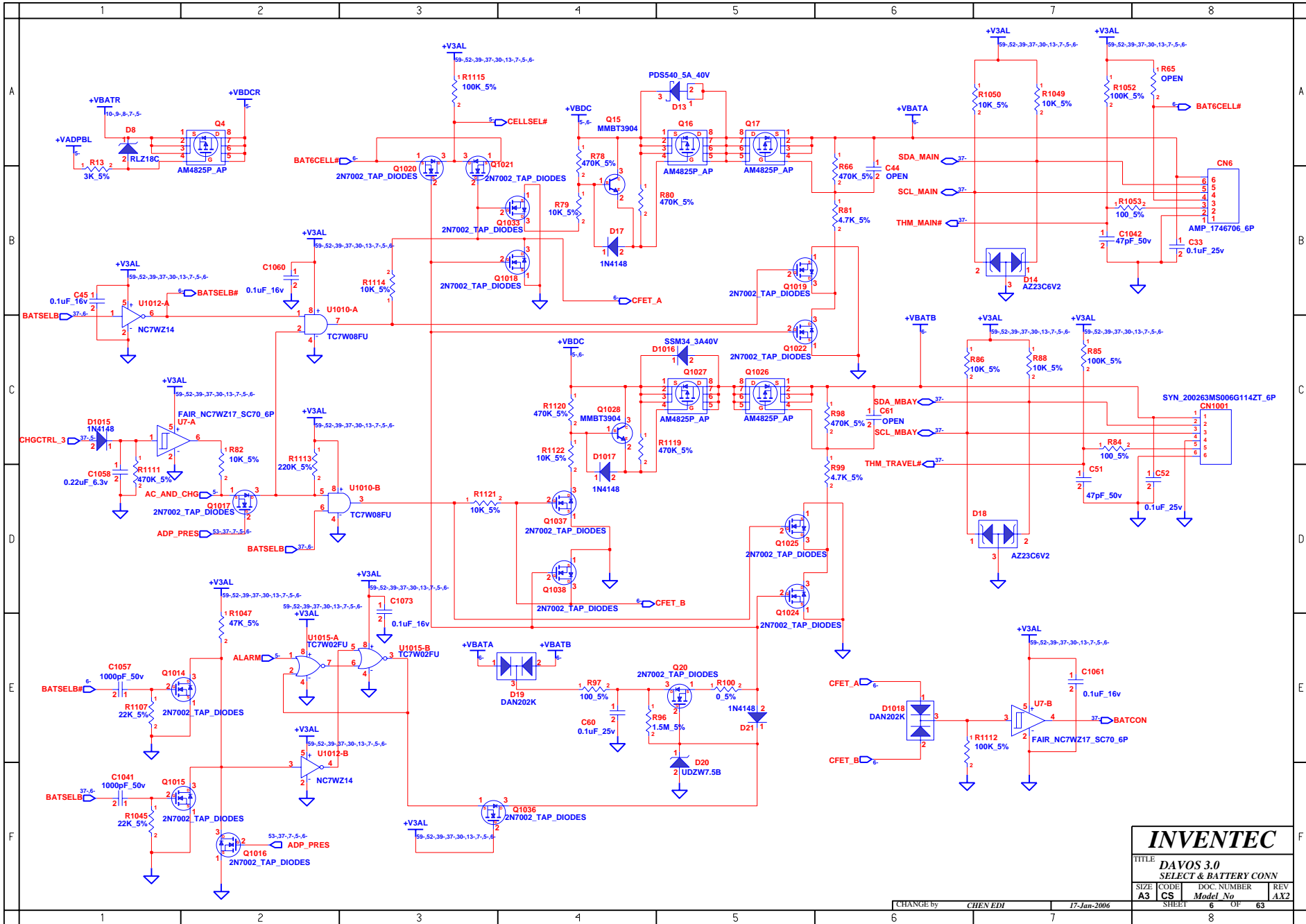
CHANGE by *CHEN EDI* *14-Dec-2005*

SHEET **2** OF **63**



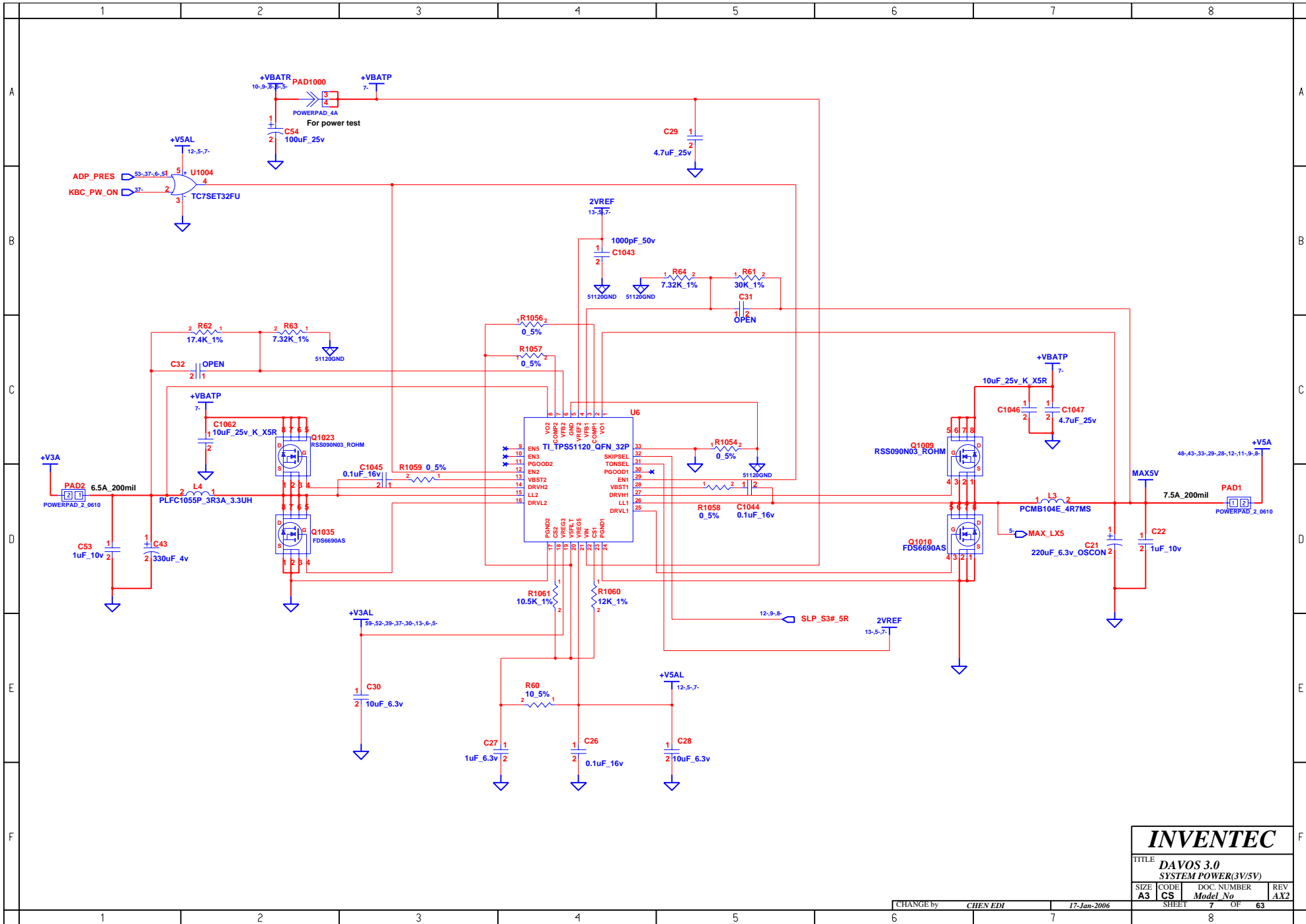
INVENTEC			
TITLE DAVOS 3.0			
SIZE A3	CODE CS	DOC. NUMBER <i>Model No</i>	REV AX2
SHEET		OF	
4		63	

CHANGE by *CHEN EDI* 24-Oct-2005

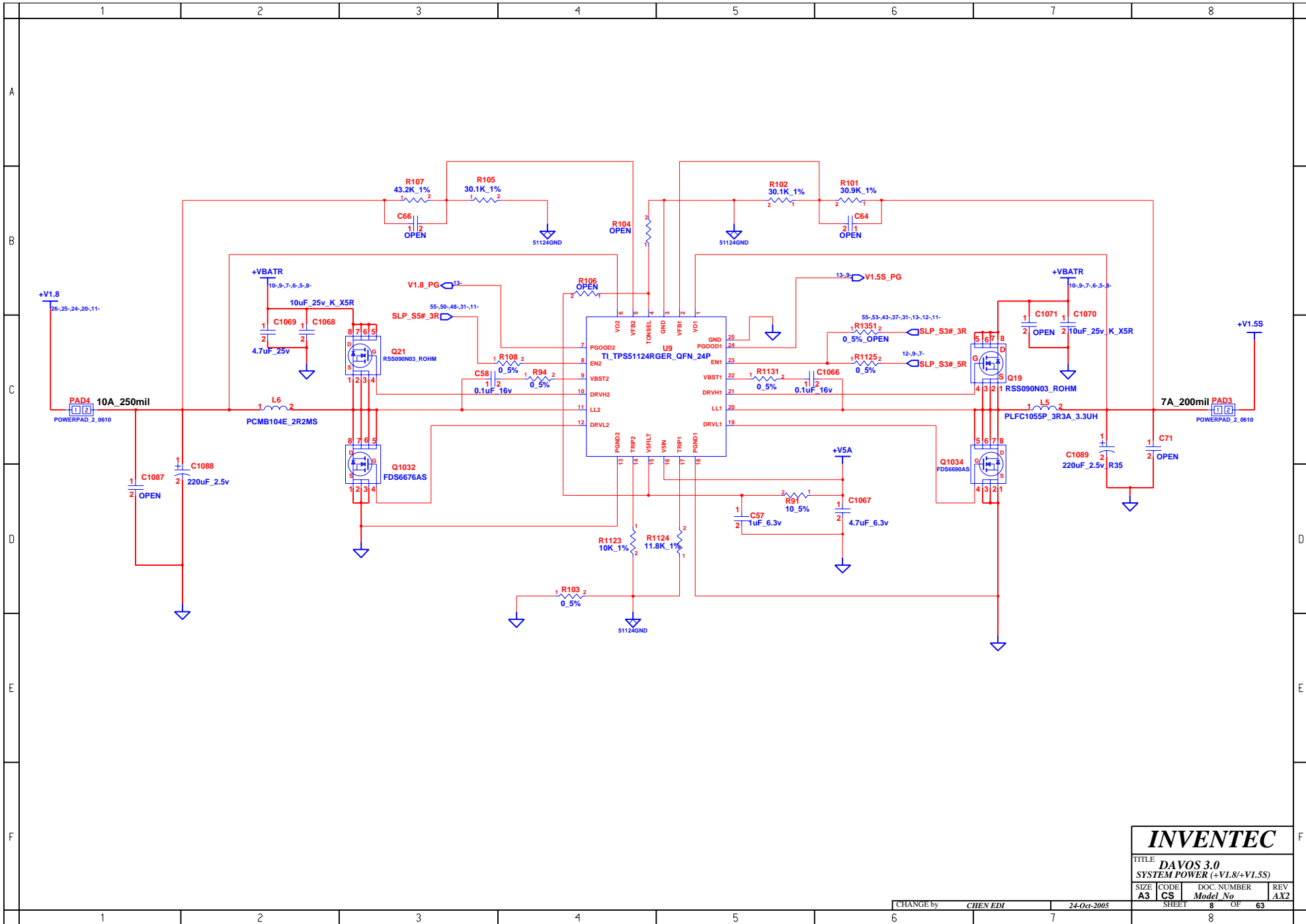


INVENTEC			
TITLE DAVOS 3.0			
SELECT & BATTERY CONN			
SIZE A3	CODE CS	DOC. NUMBER	REV AX2
SHEET 6		OF 63	

CHANGE by **CHEN EDI** 17-Jan-2006



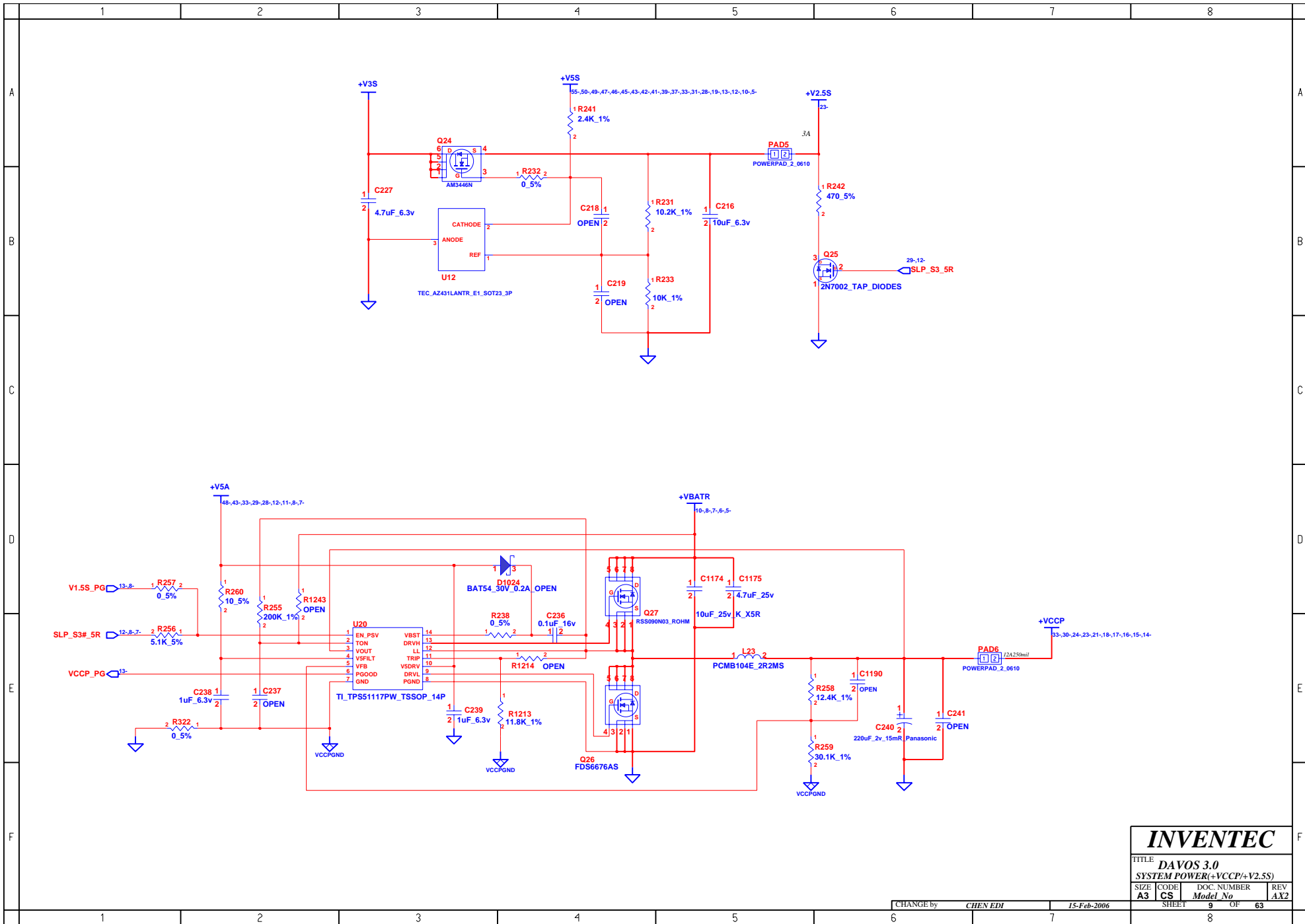
INVENTEC			
TITLE DAVOS 3.0 SYSTEM POWER(3V5V)			
SIZE A3	CODE CS	DOC. NUMBER <i>Model No</i>	REV AX2
CHANGE by <i>CHEN EDI</i>		17-Jan-2006	
SHEET 7		OF 63	



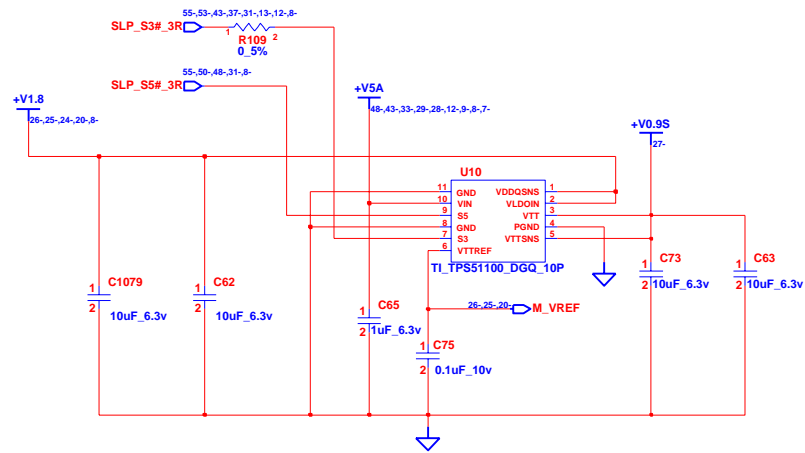
INVENTEC

TITLE **DAVOS 3.0**
SYSTEM POWER (+V1.8/+V1.5S)

SIZE A3	CODE CS	DOC. NUMBER Model No	REV AX2
-------------------	-------------------	-------------------------	-------------------



INVENTEC			
TITLE DAVOS 3.0			
SYSTEM POWER(+VCCP/+V2.5S)			
SIZE A3	CODE CS	DOC. NUMBER Model No	REV AX2
CHANGE by CHEN EDI		15-Feb-2006	
SHEET 9		OF 63	

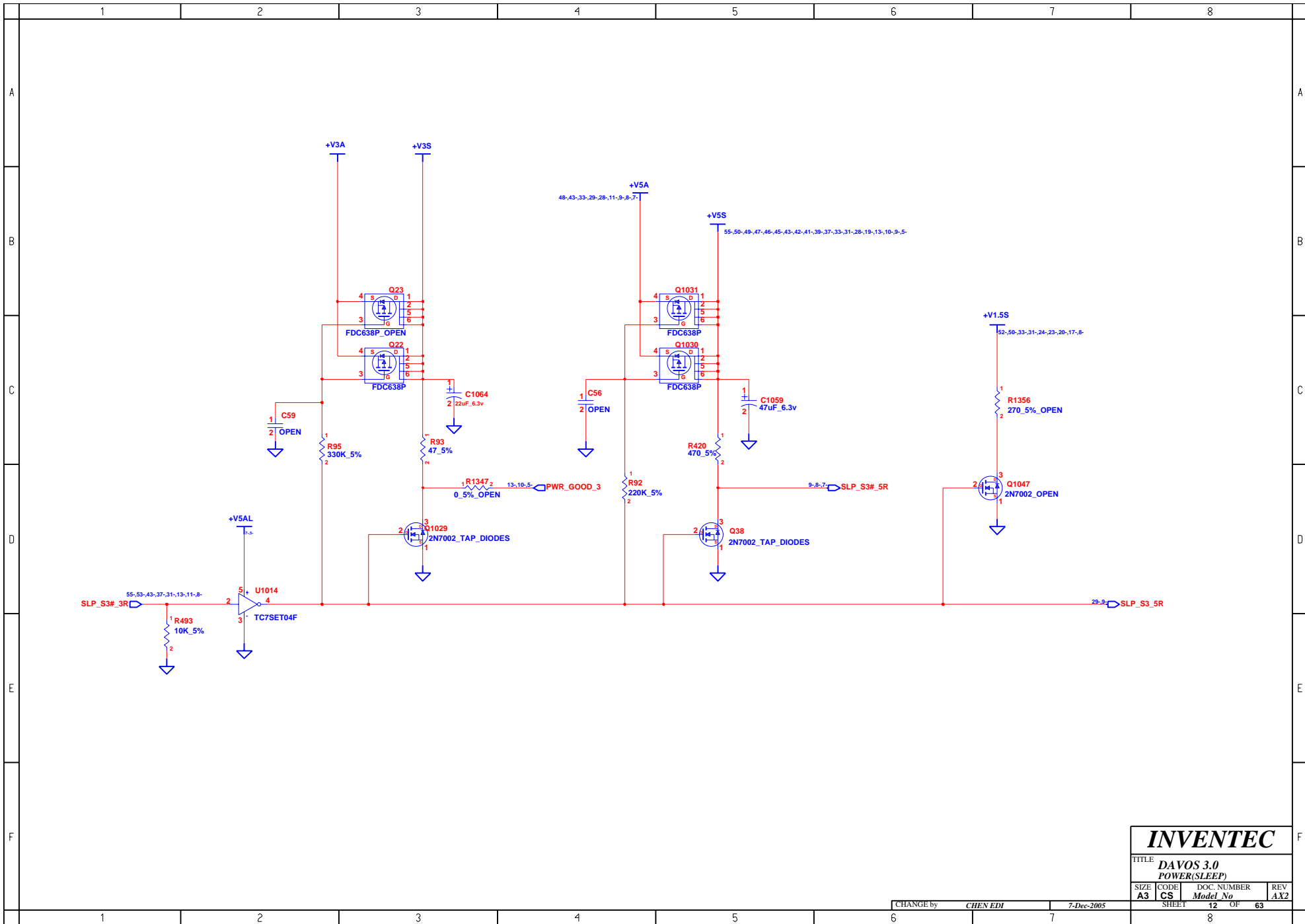


INVENTEC

TITLE			
DAVOS 3.0			
+V0.9S			
SIZE	CODE	DOC. NUMBER	REV
A3	CS	Model No	AX2

CHANGE by CHEN EDI 24-Oct-2005

SHEET 11 OF 63



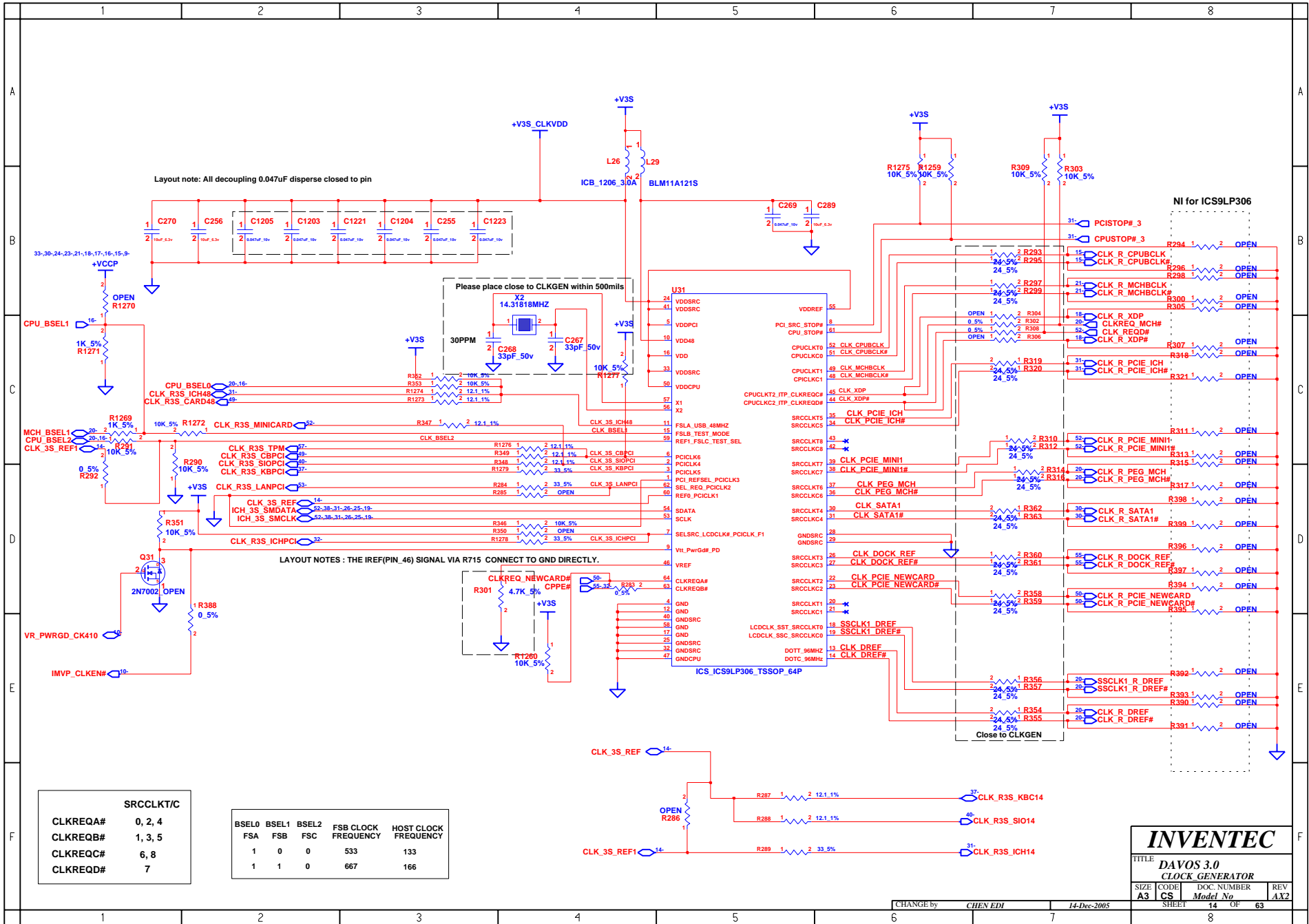
INVENTEC

TITLE
DAVOS 3.0
POWER(SLEEP)

SIZE A3	CODE CS	DOC. NUMBER Model No	REV AX2
-------------------	-------------------	-------------------------	-------------------

CHANGE by **CHEN EDI** 7-Dec-2005

SHEET **12** OF **63**



SRCLK1/C	
CLKREQA#	0, 2, 4
CLKREQB#	1, 3, 5
CLKREQC#	6, 8
CLKREQD#	7

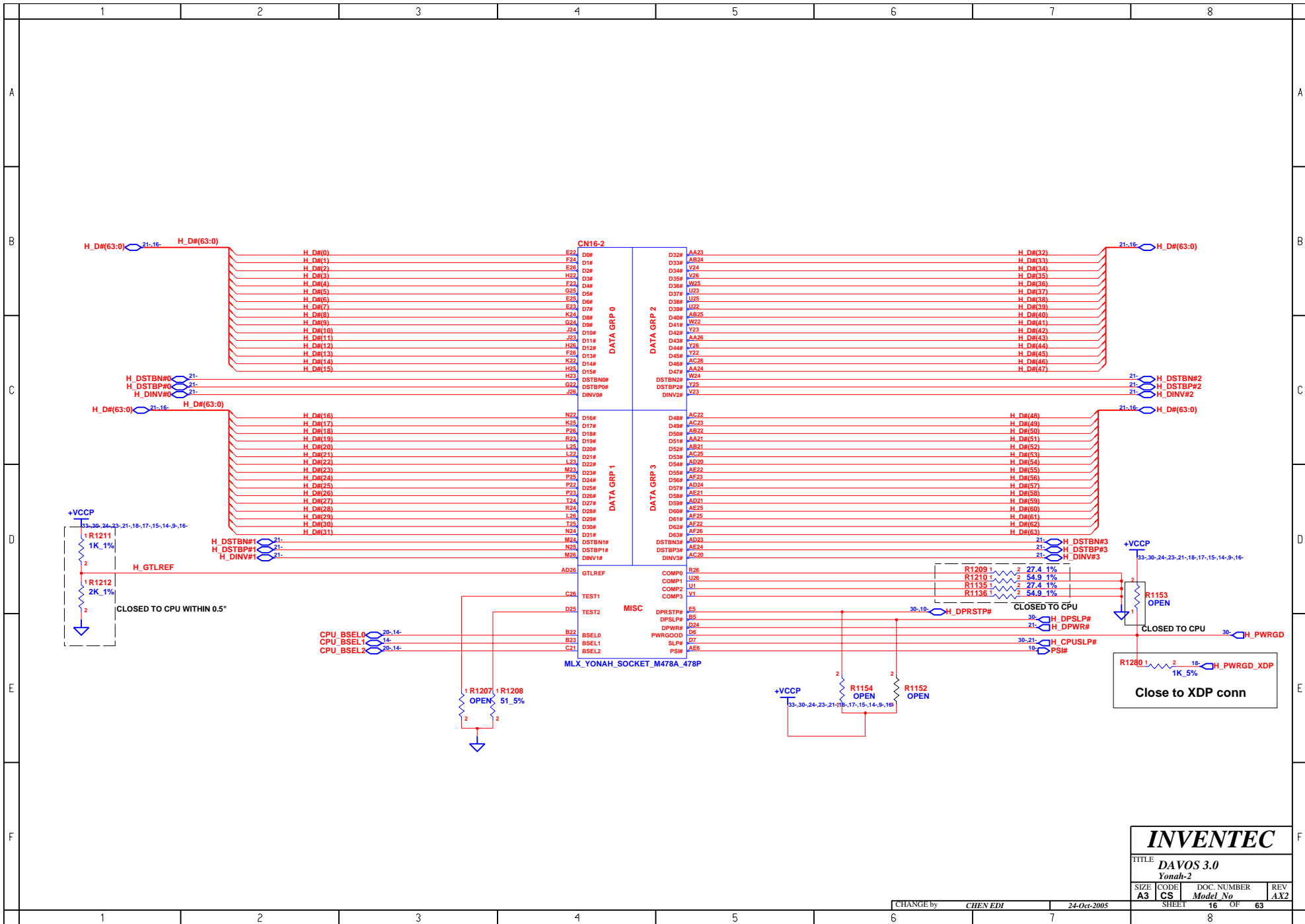
BSEL0	BSEL1	BSEL2	FSB CLOCK FREQUENCY	HOST CLOCK FREQUENCY
1	0	0	533	133
1	1	0	667	166

INVENTEC

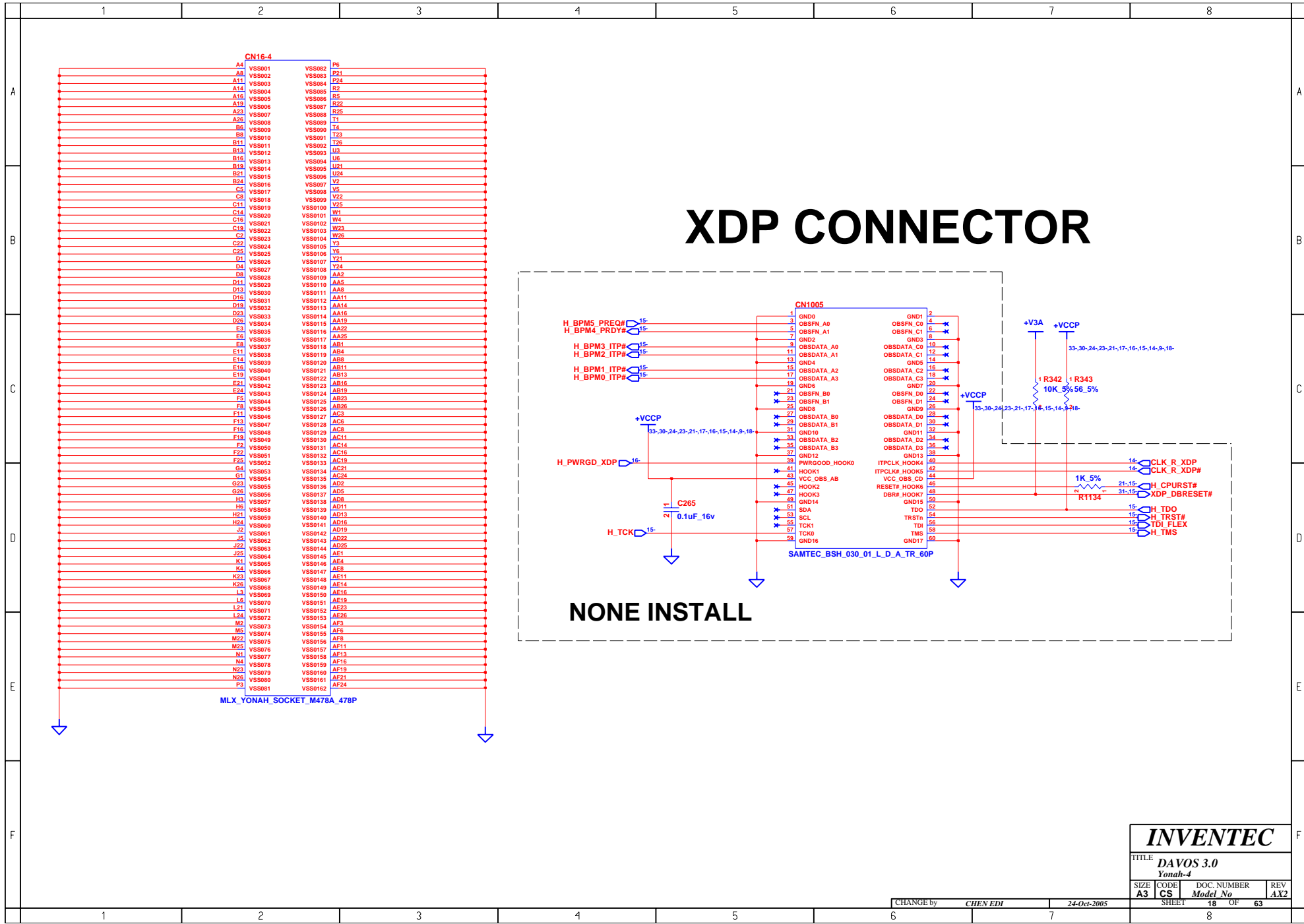
TITLE: **DAVOS 3.0**
CLOCK GENERATOR

SIZE	CODE	DOC. NUMBER	REV
A3	CS	Model No	AX2

CHANGE by: CHEN EDI 14-Dec-2005 SHEET 14 OF 63



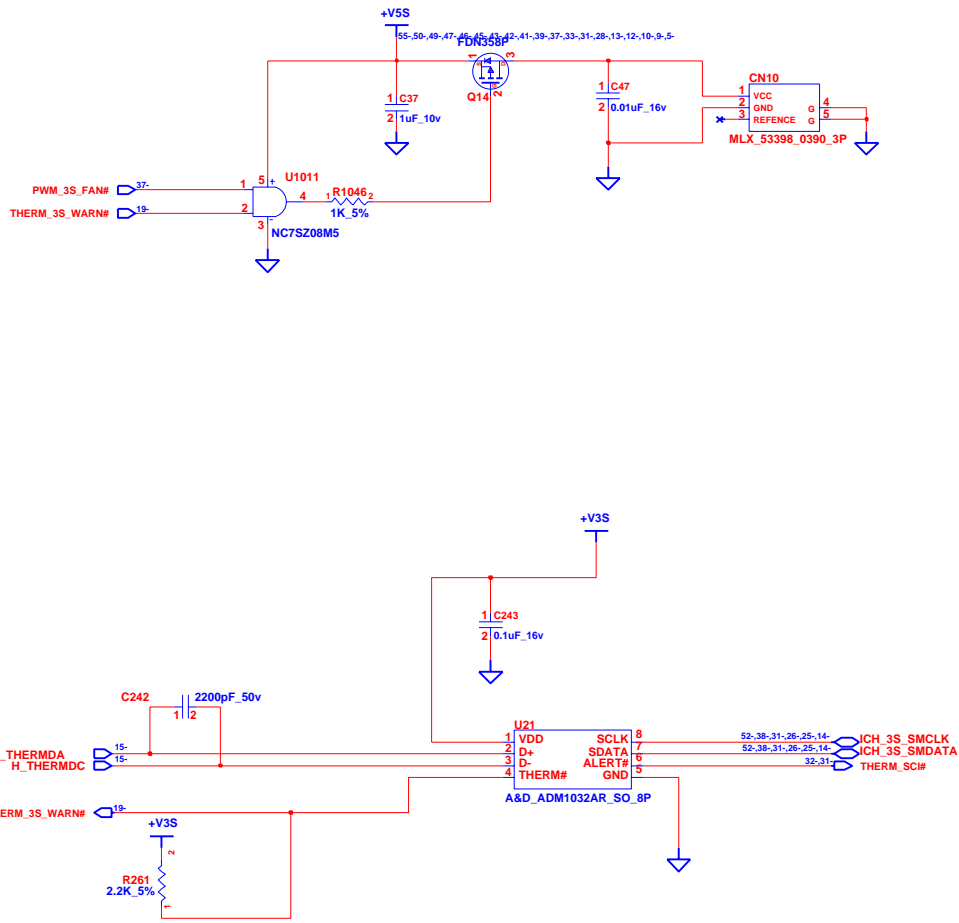
INVENTEC			
TITLE DAVOS 3.0 Yonah-2			
SIZE A3	CODE CS	DOC. NUMBER Model No	REV AX2
CHANGE by CHEN EDI		24-Oct-2005	
SHEET 16		OF 63	



XDP CONNECTOR

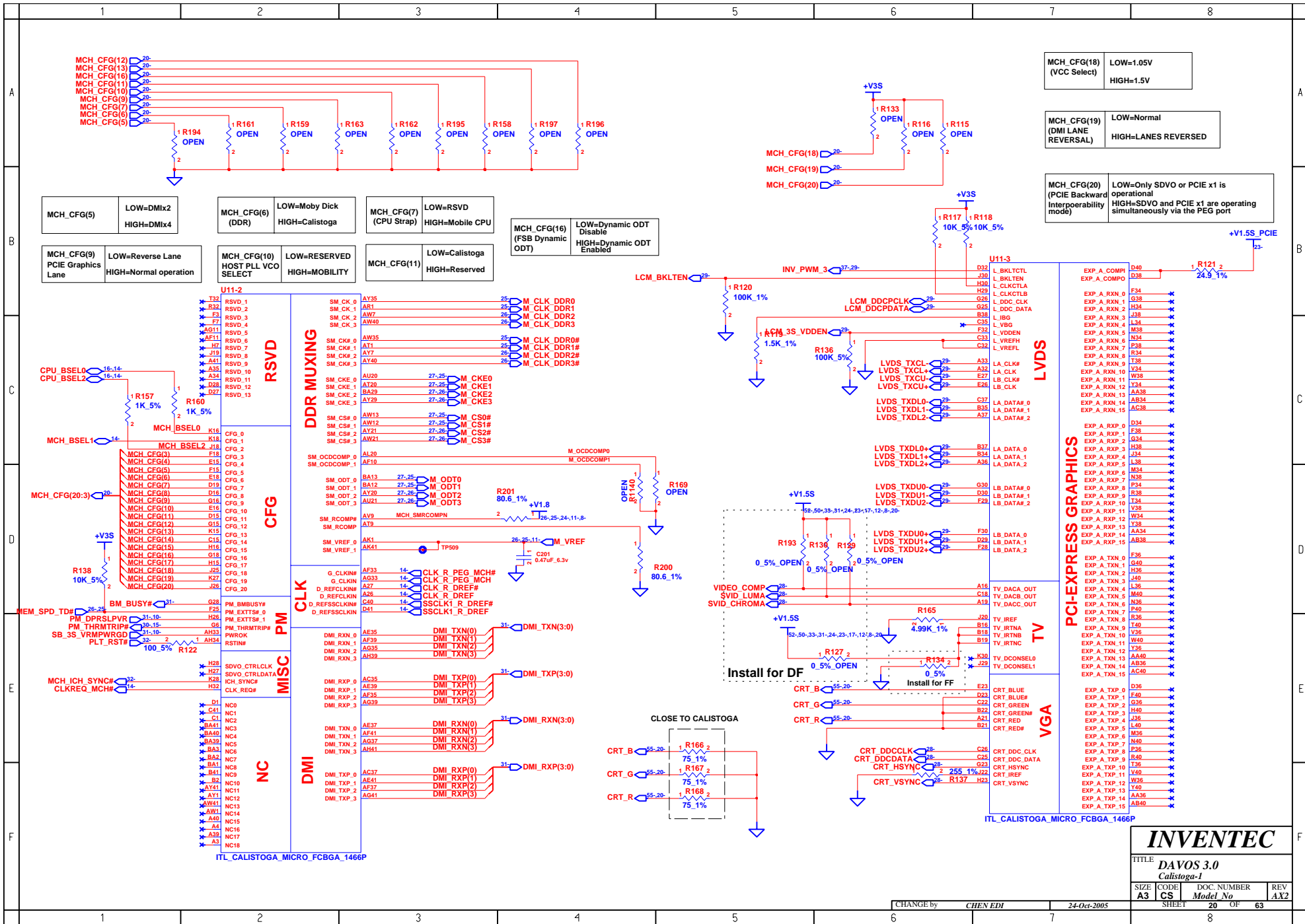
NONE INSTALL

INVENTEC			
TITLE DAVOS 3.0 <i>Yonah-4</i>			
SIZE A3	CODE CS	DOC. NUMBER <i>Model No</i>	REV AX2
CHANGE by <i>CHEN EDI</i>		24-Oct-2005	
SHEET		18 OF 63	



LAYOUT NOTES: PUT THE THERMAL SENSOR CLOSE TO CPU

INVENTEC			
TITLE DAVOS 3.0 THERMAL&FAN CONTROLLER			
SIZE A3	CODE CS	DOC. NUMBER Model No	REV AX2
CHANGE by <i>CHEN EDI</i>		5-Dec-2005	
SHEET 19		OF 63	



MCH_CFG(18) (VCC Select) LOW=1.05V HIGH=1.5V

MCH_CFG(19) (DMI LANE REVERSAL) LOW=Normal HIGH=LANES REVERSED

MCH_CFG(20) (PCIE Backward Interoperability mode) LOW=Only SDVO or PCIE x1 is operational HIGH=SDVO and PCIE x1 are operating simultaneously via the PEG port

MCH_CFG(5)	LOW=DMiX2 HIGH=DMiX4	MCH_CFG(6) (DDR)	LOW=Moby Dick HIGH=Calistoga	MCH_CFG(7) (CPU Strap)	LOW=RSVD HIGH=Mobile CPU	MCH_CFG(16) (FSB Dynamic ODT)	LOW=Dynamic ODT Disable HIGH=Dynamic ODT Enabled
MCH_CFG(9) (PCIE Graphics Lane)	LOW=Reverse Lane HIGH=Normal operation	MCH_CFG(10) (HOST PLL VCO SELECT)	LOW=RESERVED HIGH=MOBILITY	MCH_CFG(11)	LOW=Calistoga HIGH=Reserved		

PCIE EXPRESS GRAPHICS

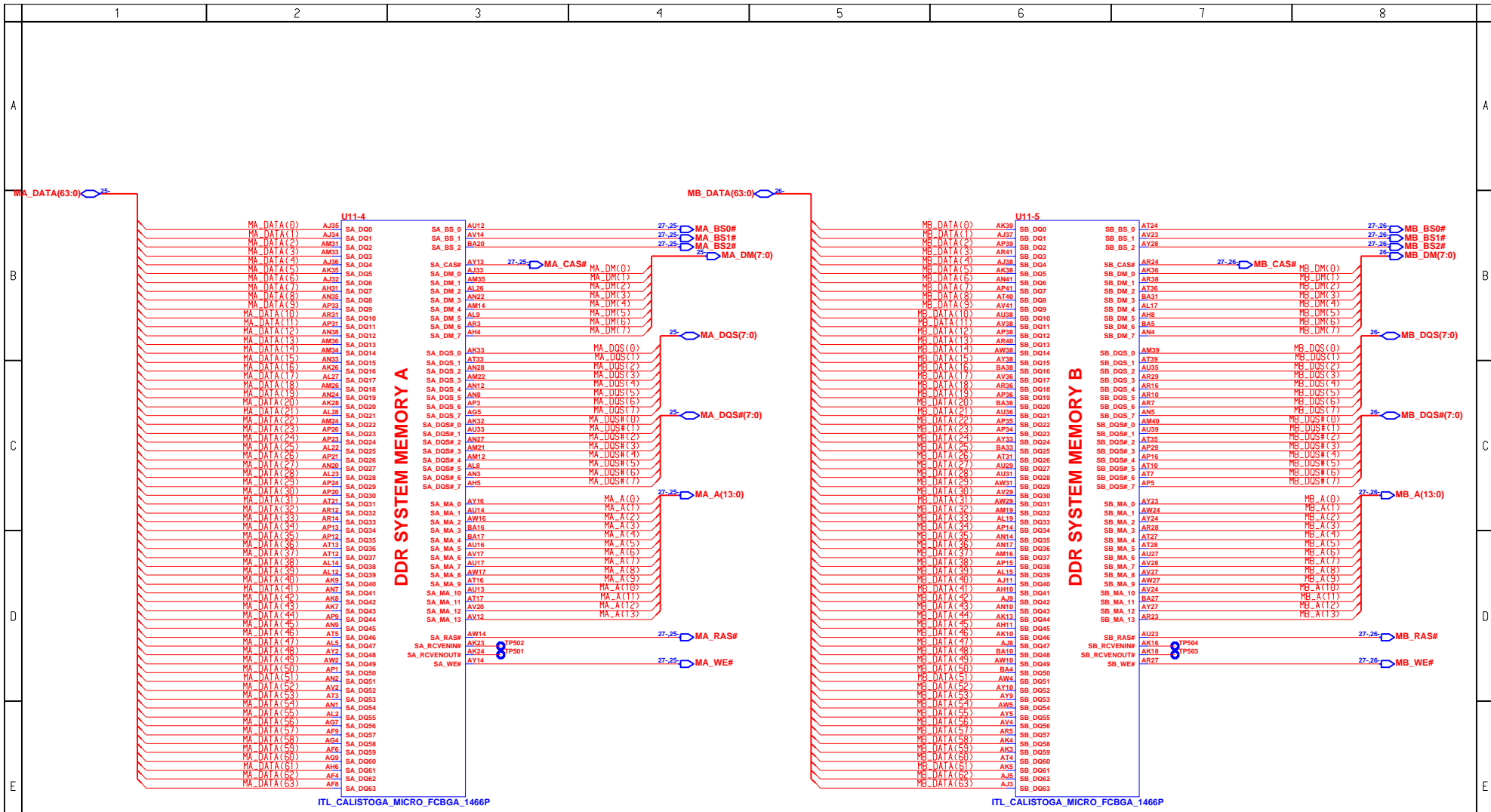
TV

VGA

INVENTEC

TITLE
DAVOS 3.0
Calistoga-1

SIZE	CODE	DOC. NUMBER	REV
A3	CS	Model No	AX2



ITL_CALISTOGA_MICRO_FCBGA_1466P

ITL_CALISTOGA_MICRO_FCBGA_1466P

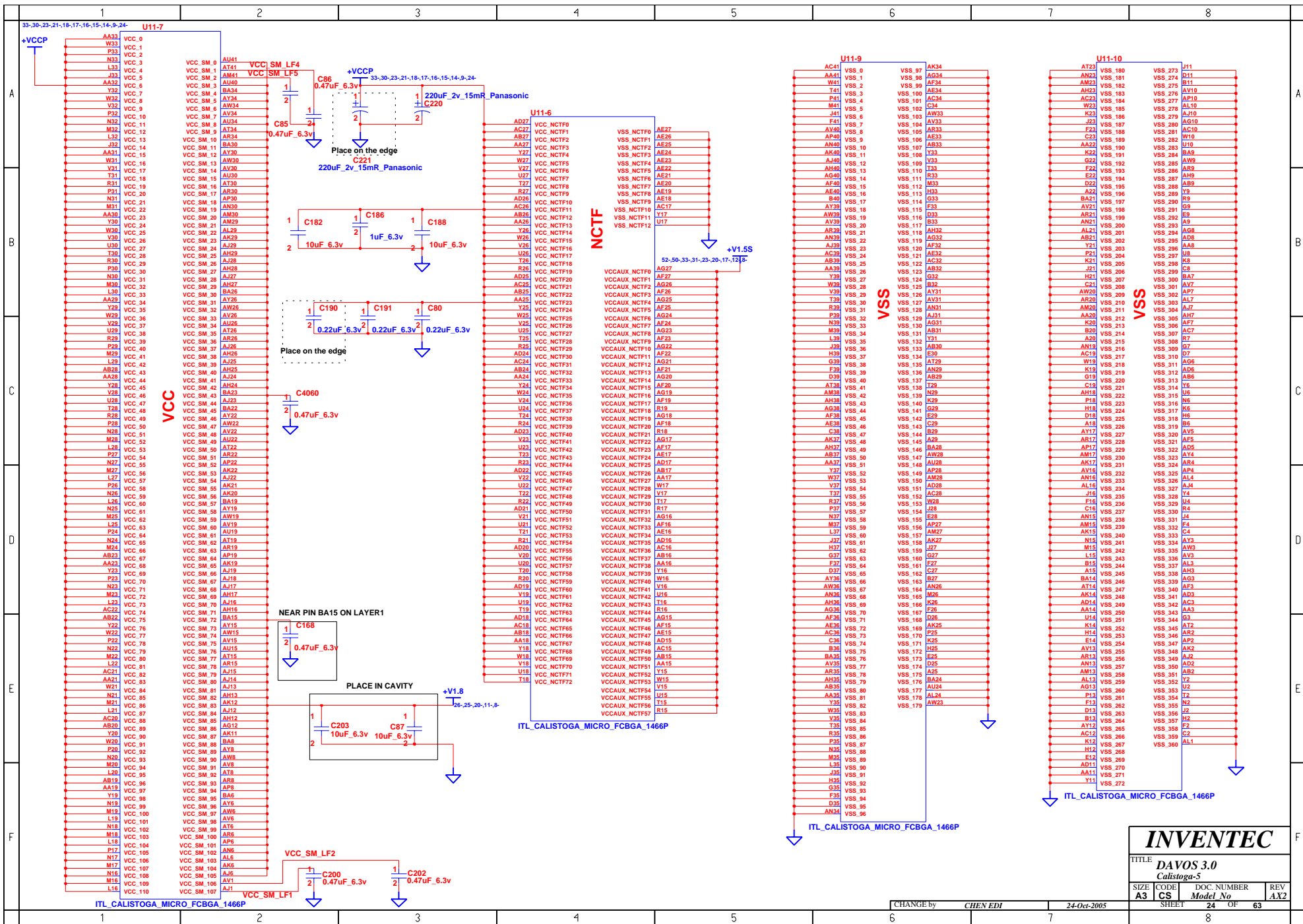
INVENTEC

TITLE
DAVOS 3.0
Calistoga-3

SIZE	CODE	DOC. NUMBER	REV
A3	CS	Model No	AX2

CHANGE by *CHEN EDI* 24-Oct-2005

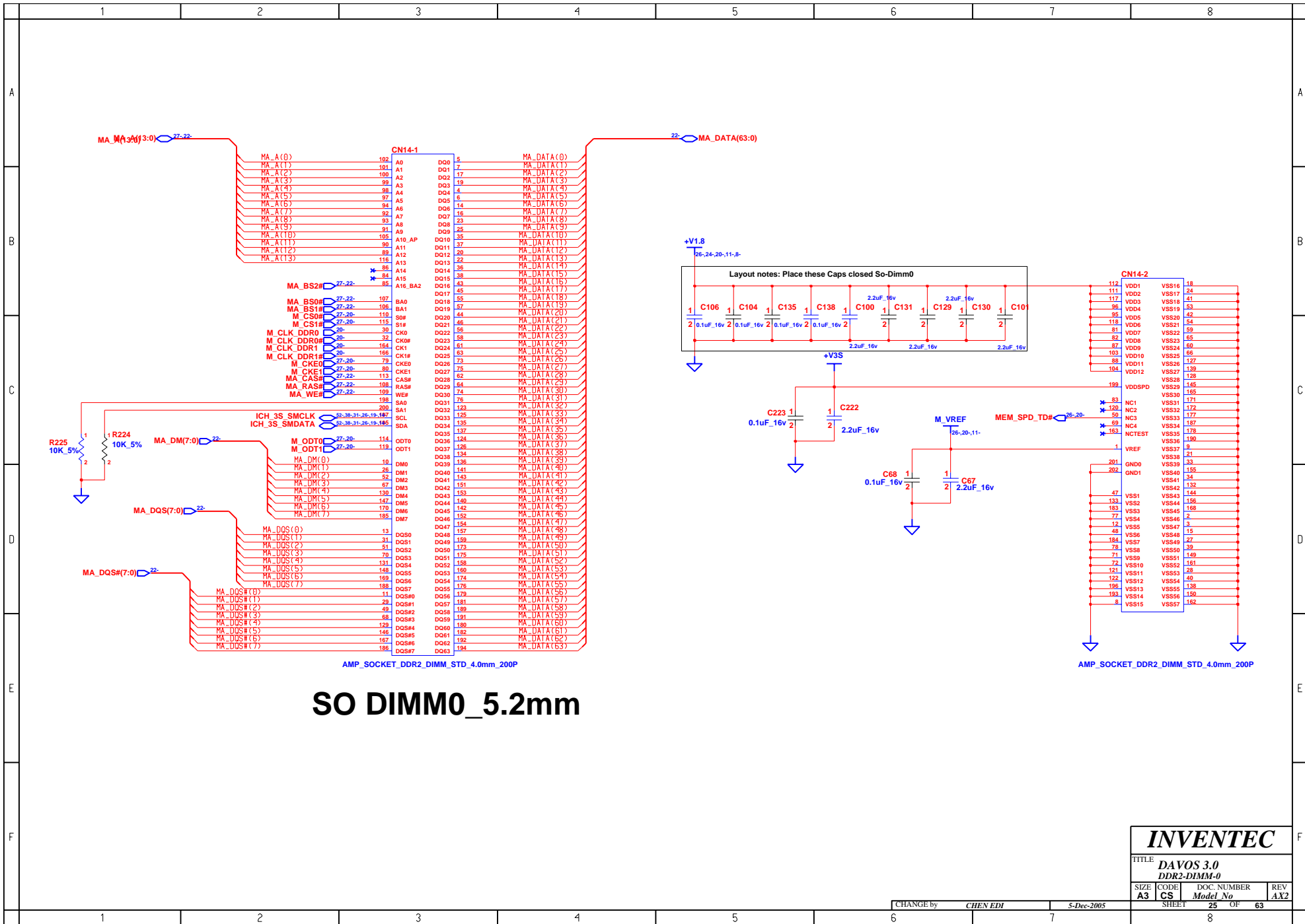
SHEET 22 OF 63



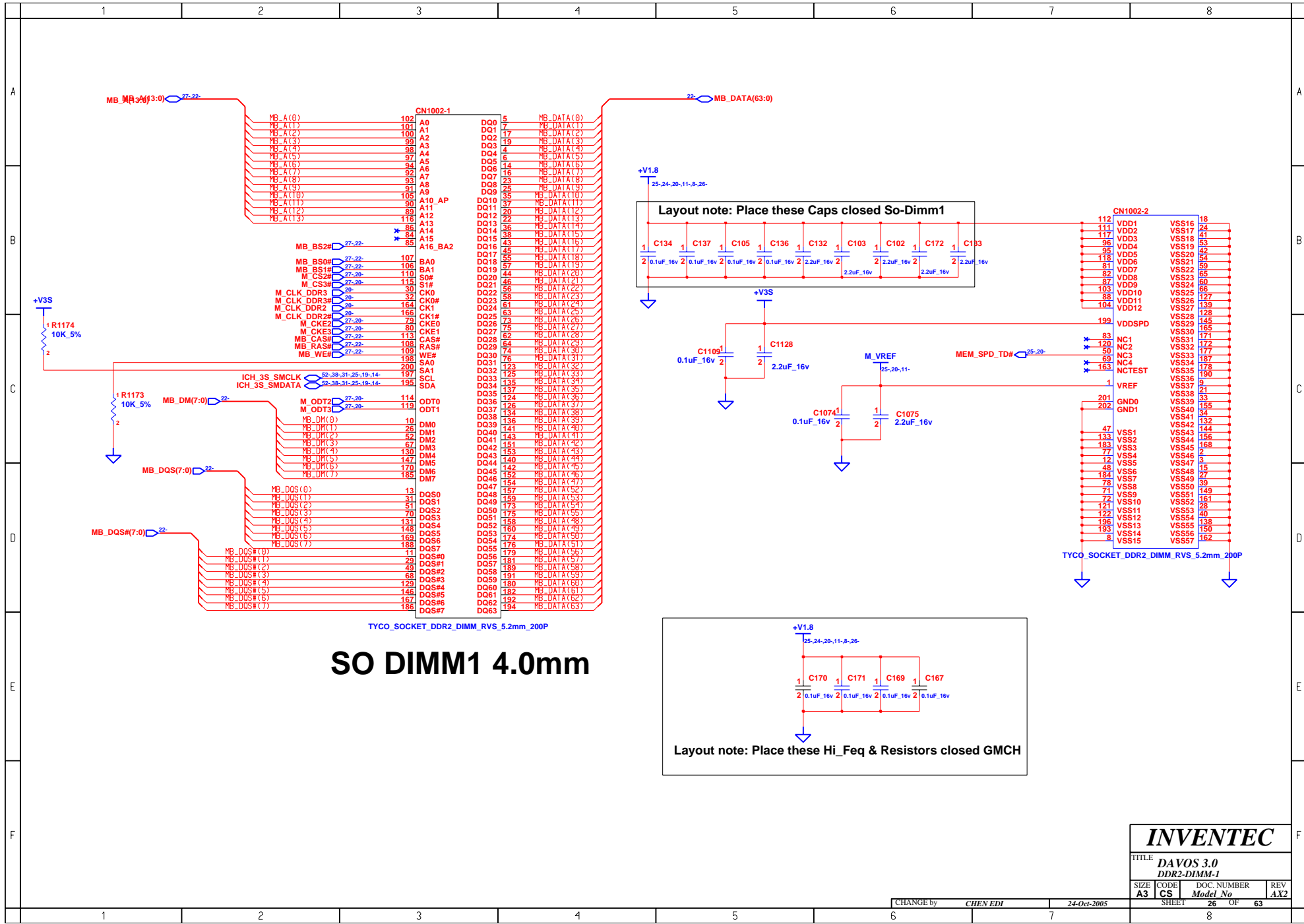
INVENTEC			
TITLE DAVOS 3.0 Callisto-5			
SIZE A3	CODE CS	DOC. NUMBER Model No	REV AX2
SHEET		24 OF 63	

CHANGE by CHEN EDI

24-Oct-2005

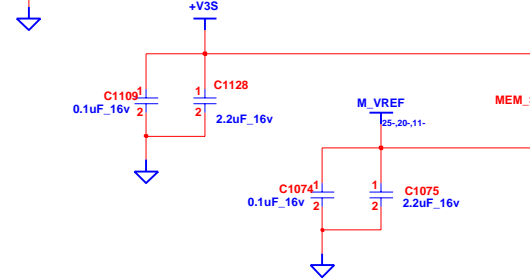


INVENTEC			
TITLE DAVOS 3.0 DDR2-DIMM-0			
SIZE A3	CODE CS	DOC. NUMBER Model No	REV AX2
CHANGE by CHEN EDI		5-Dec-2005	
SHEET 25		OF 63	

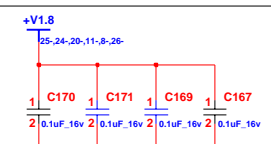


SO DIMM 4.0mm

Layout note: Place these Caps closed So-Dimm1

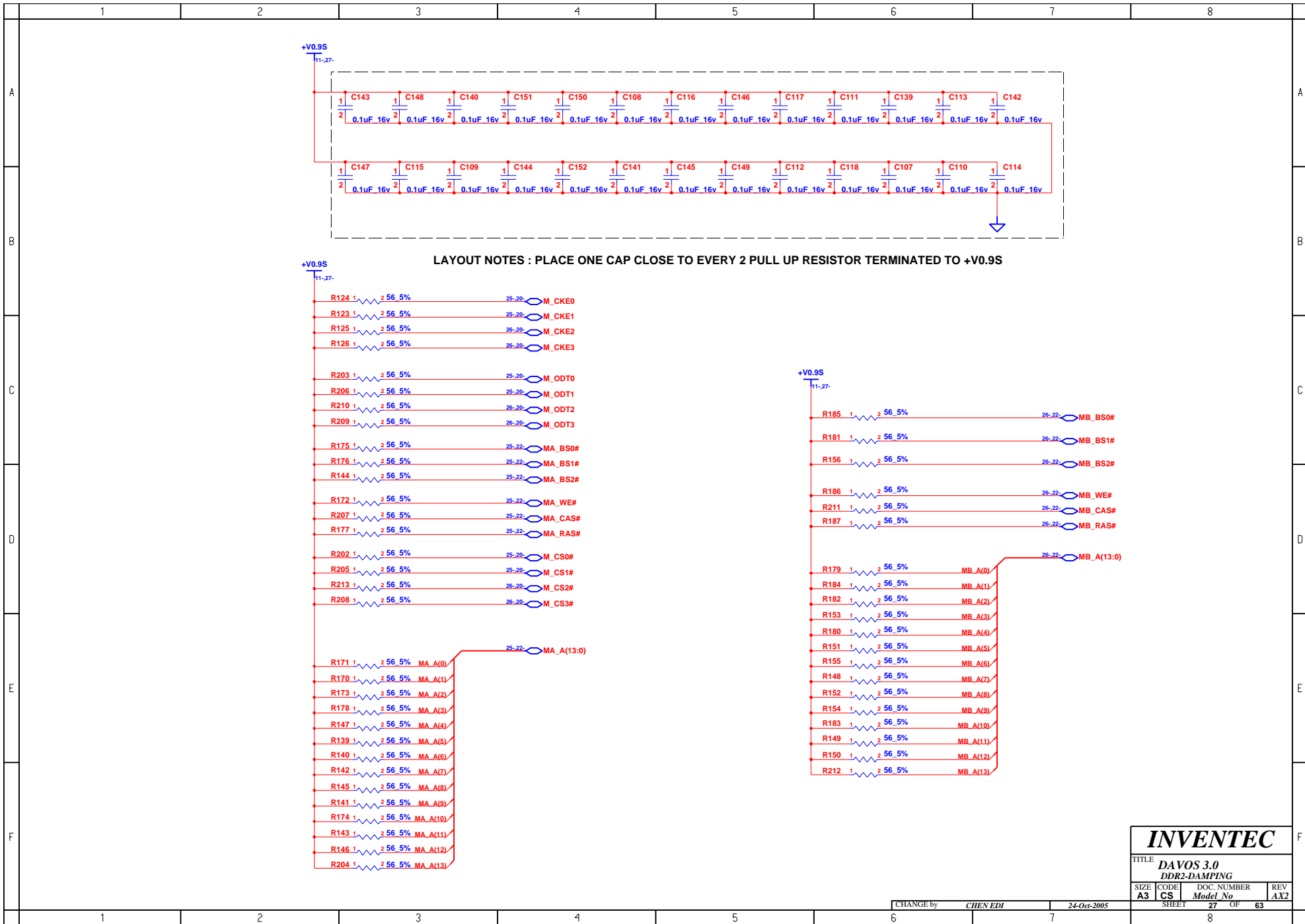


Layout note: Place these Hi_Feq & Resistors closed GMCH



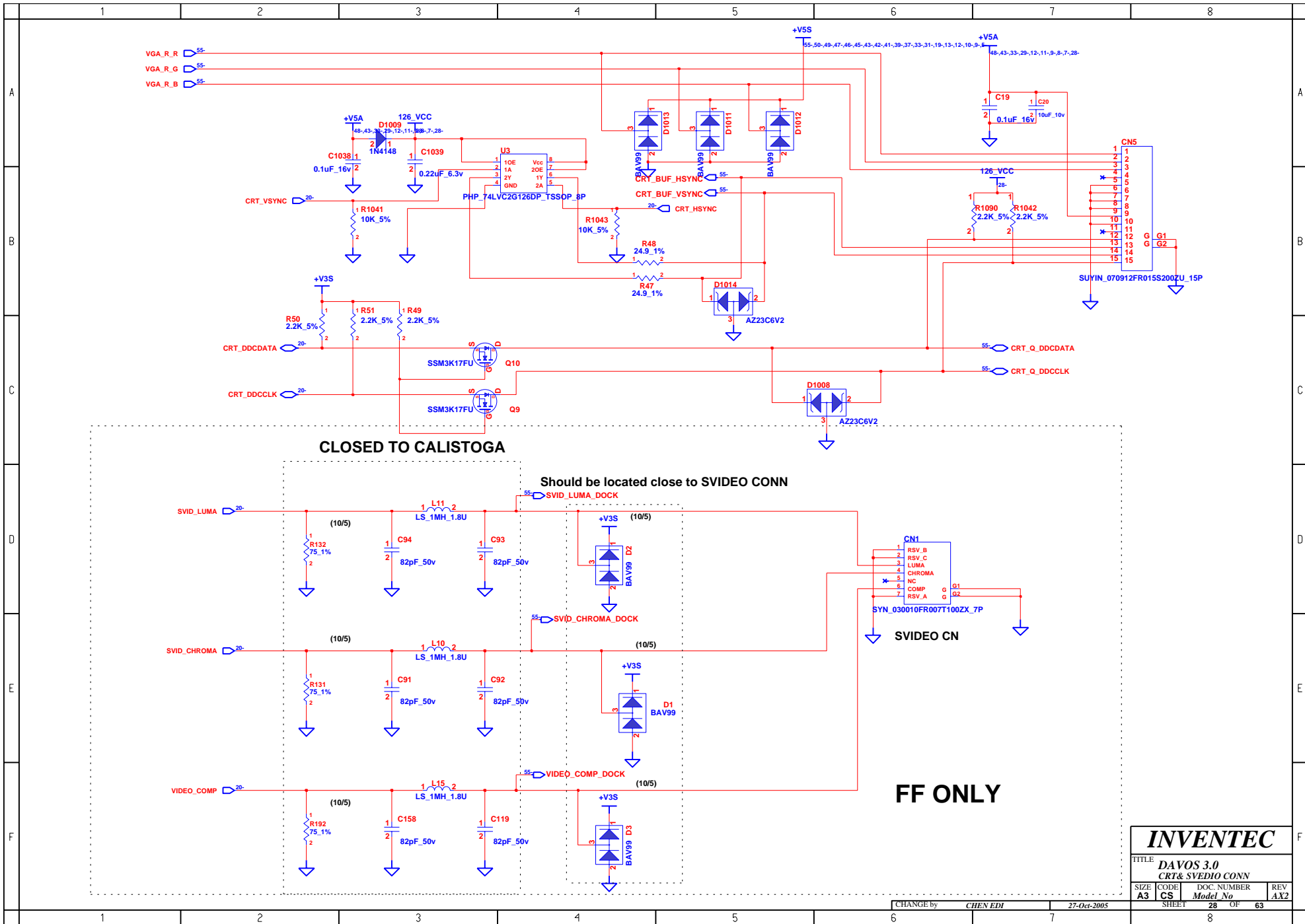
INVENTEC

TITLE			
DAVOS 3.0			
DDR2-DIMM-1			
SIZE	CODE	DOC. NUMBER	REV
A3	CS	Model No	AX2



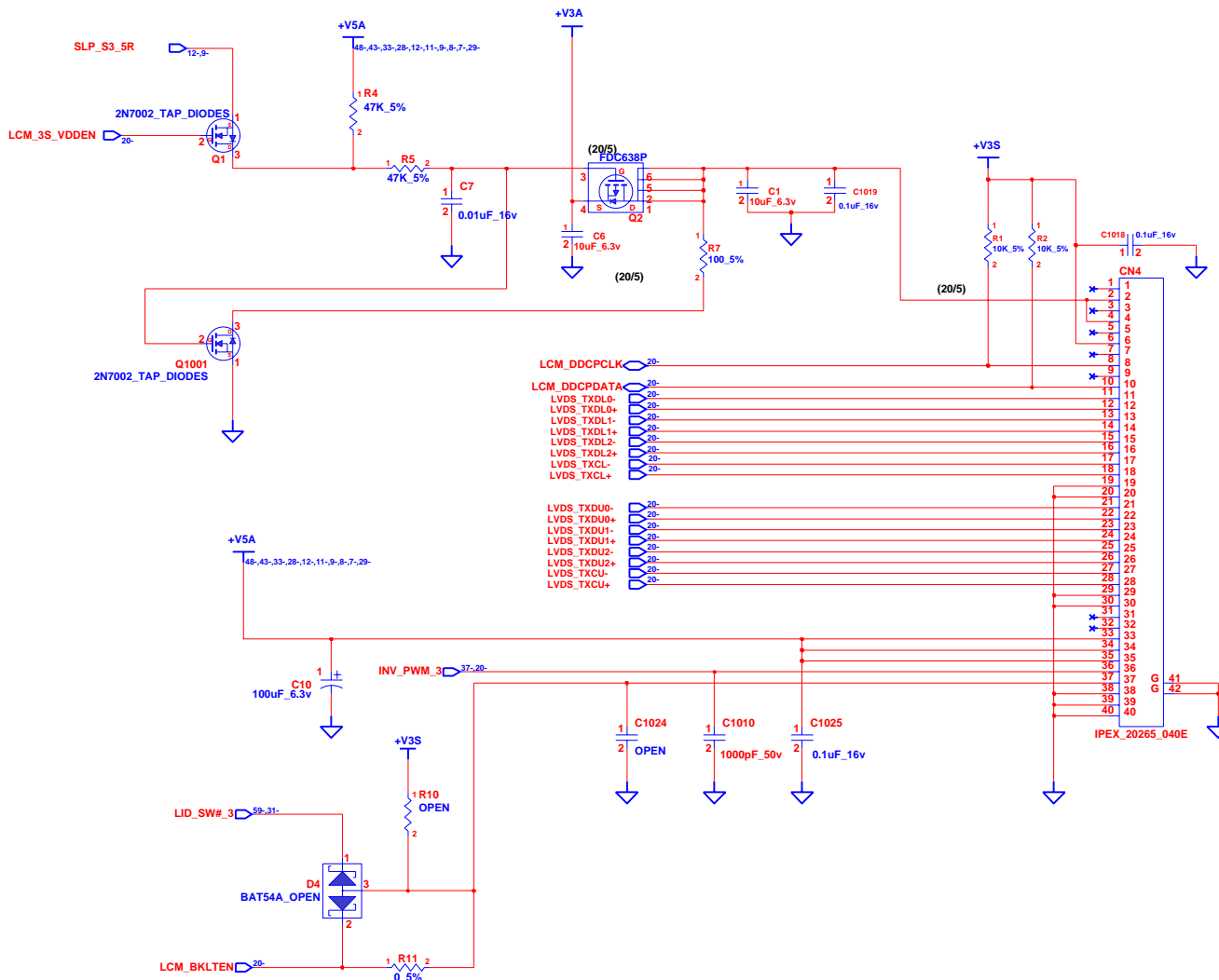
LAYOUT NOTES : PLACE ONE CAP CLOSE TO EVERY 2 PULL UP RESISTOR TERMINATED TO +V0.9S

INVENTEC			
TITLE DAVOS 3.0			
DDR2-DAMPING			
SIZE A3	CODE CS	DOC. NUMBER <i>Model No</i>	REV AX2
CHANGE by <i>CHEN EDI</i>		24-Oct-2005	SHEET 27 OF 63

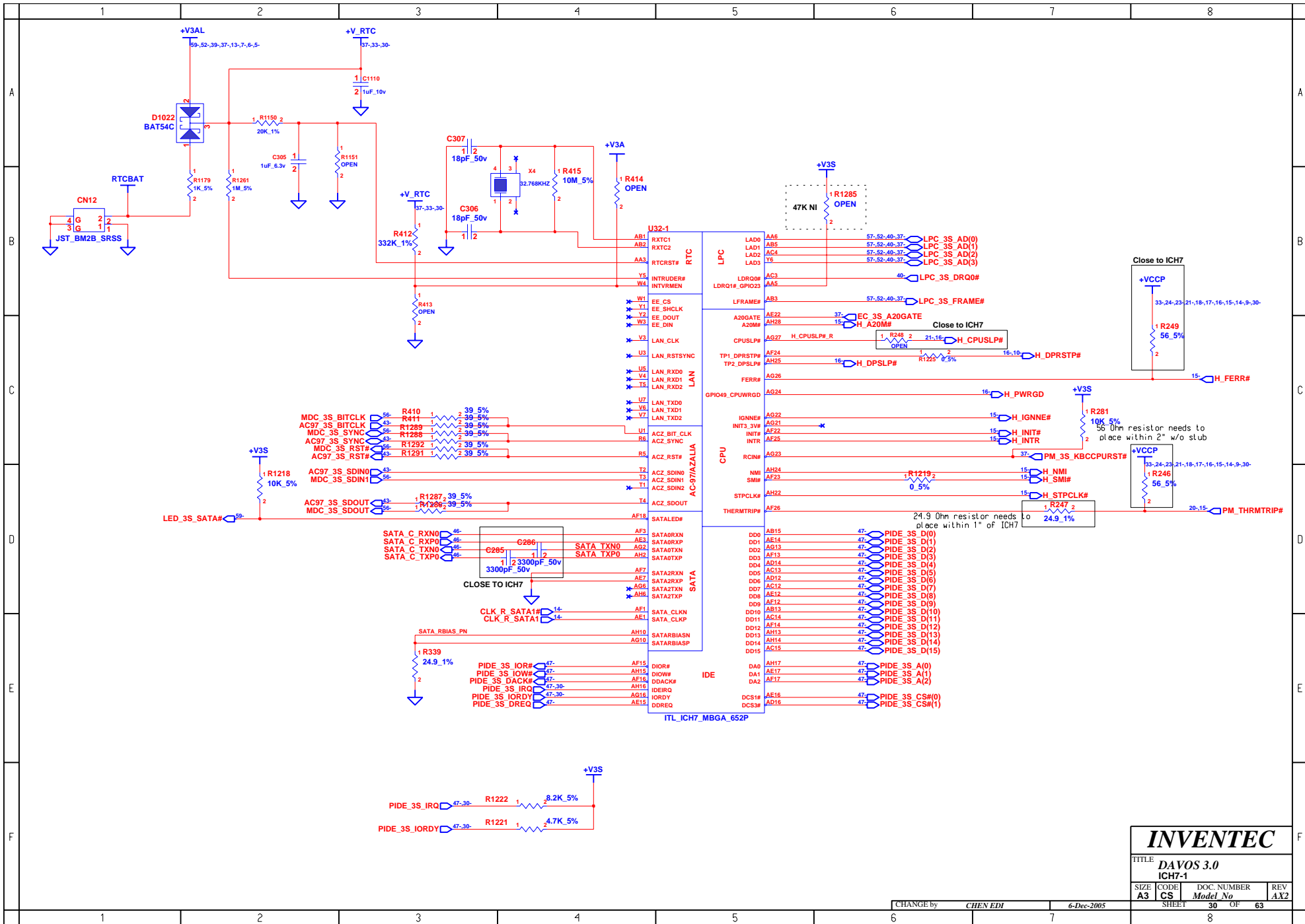


INVENTEC			
TITLE DAVOS 3.0 CRT & SVEDIO CONN			
SIZE A3	CODE CS	DOC. NUMBER Model No	REV AX2
CHANGE by CHEN EDI		27-Oct-2005	
SHEET 28		OF 63	

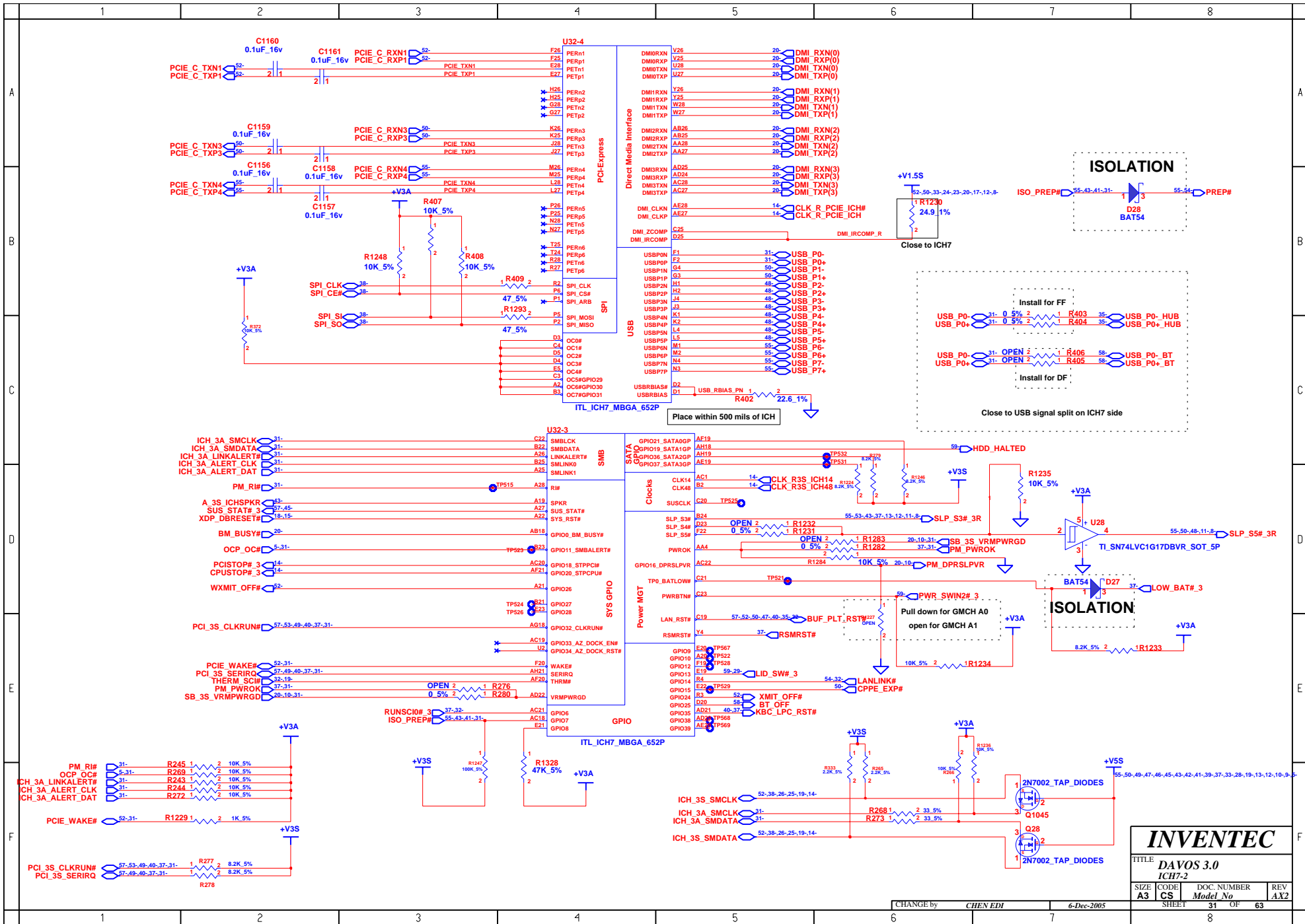
Place closed to connector



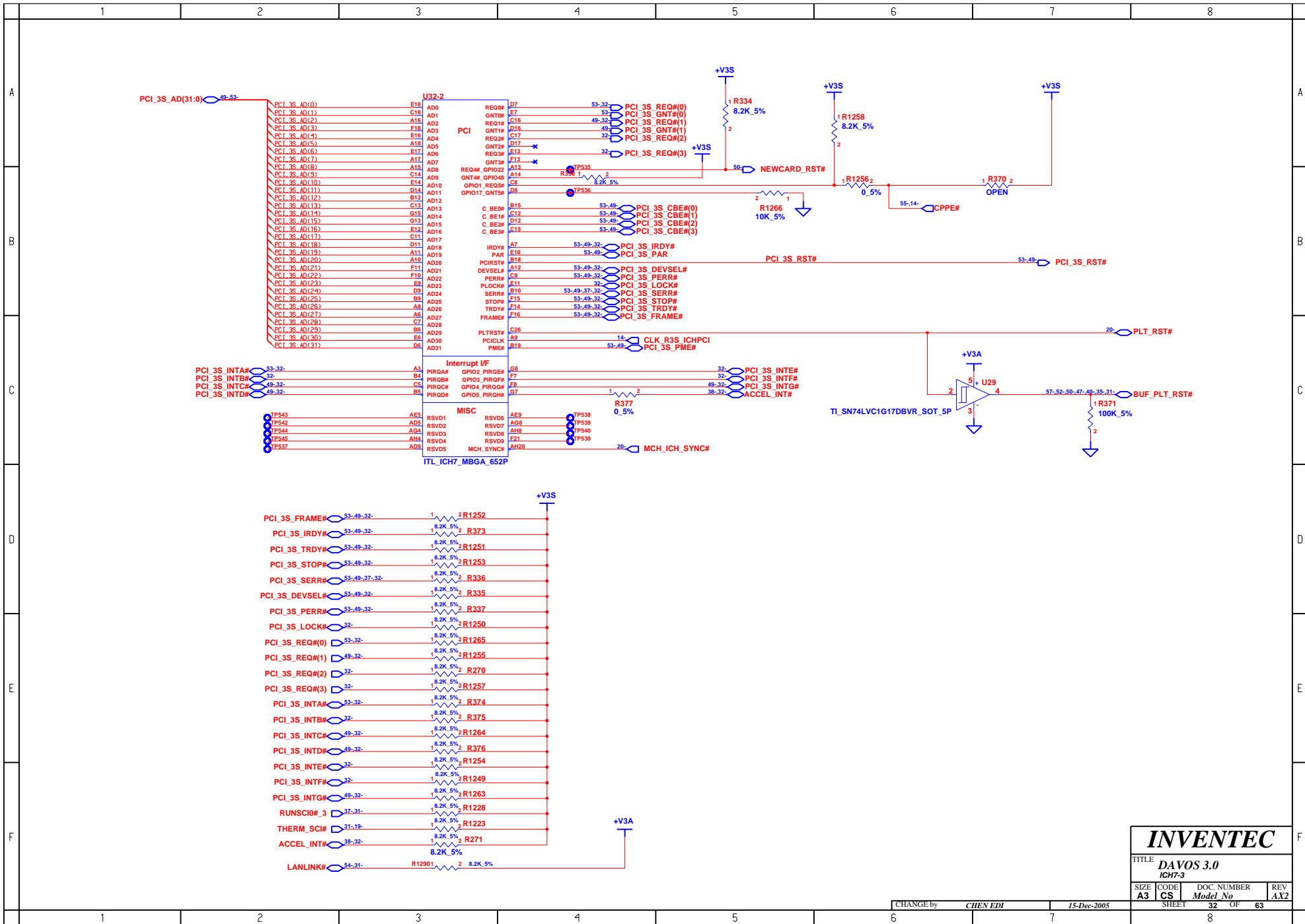
INVENTEC			
TITLE DAVOS 3.0 LCD CONN			
SIZE A3	CODE CS	DOC. NUMBER <i>Model No</i>	REV AX2
CHANGE by <i>CHEN EDI</i>		24-Oct-2005	SHEET 29 OF 63



INVENTEC			
TITLE DAVOS 3.0 ICH7-1			
SIZE A3	CODE CS	DOC. NUMBER Model No	REV AX2
CHANGE by CHEN EDI		6-Dec-2005	
SHEET 30		OF 63	



INVENTEC			
TITLE DAVOS 3.0 ICH-2			
SIZE A3	CODE CS	DOC. NUMBER <i>Model No</i>	REV AX2
CHANGE by <i>CHEN EDI</i>		6-Dec-2005	
SHEET 31		OF 63	



INVENTEC			
TITLE DAVOS 3.0 ICH7-3			
SIZE A3	CODE CS	DOC. NUMBER <i>Model No</i>	REV AX2
CHANGE by <i>CHEN EDI</i>		15-Dec-2005	
SHEET 32		OF 63	

	1	2	3	4	5	6	7	8	
A									A
B									B
C									C
D									D
E									E
F									F

U32-5

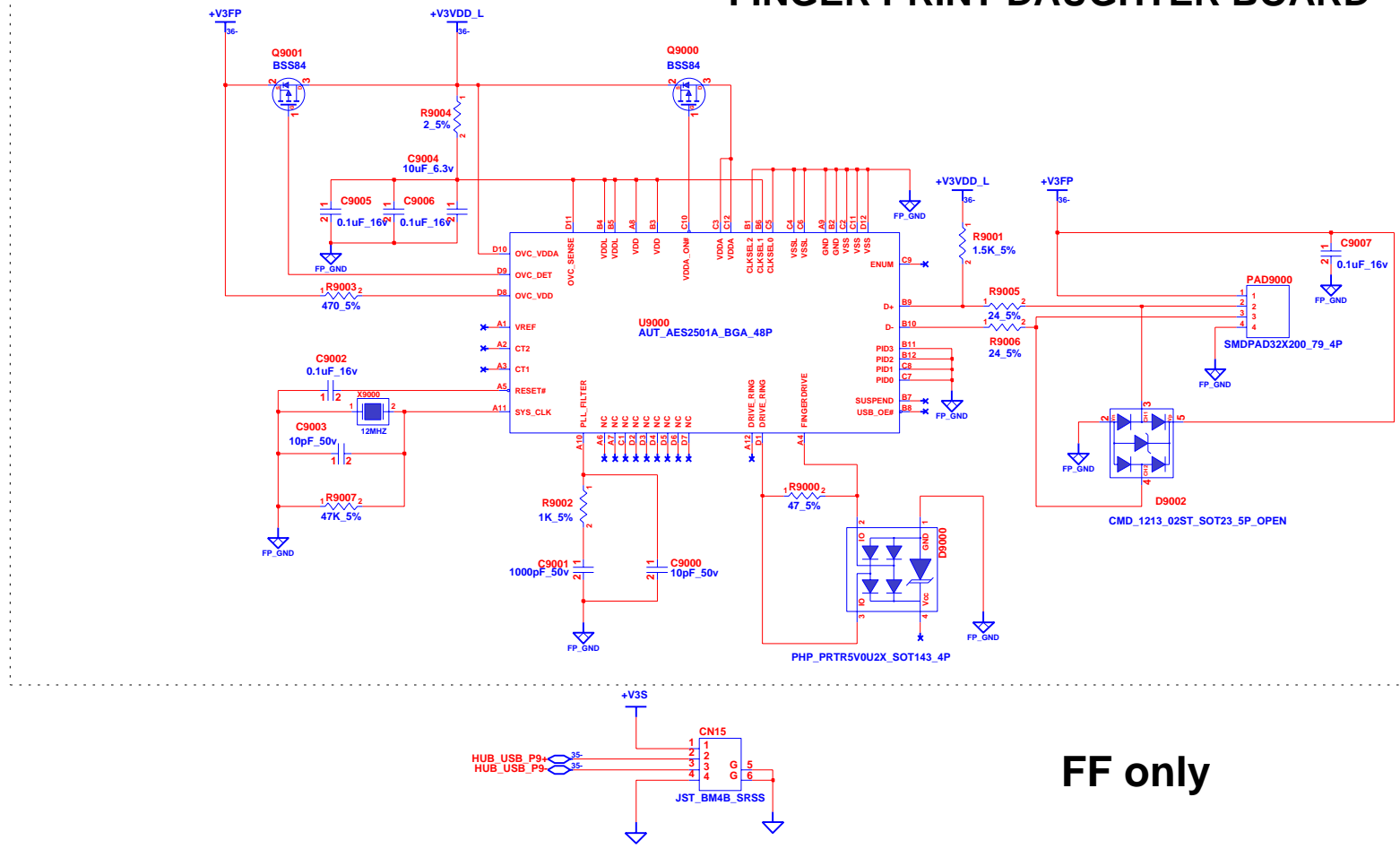
A4	VSS1	VSS96	P28
A23	VSS2	VSS99	R1
B1	VSS3	VSS100	R11
B8	VSS4	VSS101	R12
B11	VSS5	VSS102	R13
B14	VSS6	VSS103	R14
B17	VSS7	VSS104	R15
B20	VSS8	VSS105	R16
B26	VSS9	VSS106	R17
B28	VSS10	VSS107	R18
C2	VSS11	VSS108	T6
C6	VSS12	VSS109	T12
C27	VSS13	VSS110	T13
D10	VSS14	VSS111	T14
D13	VSS15	VSS112	T15
D18	VSS16	VSS113	T16
D21	VSS17	VSS114	T17
D24	VSS18	VSS115	U1
E1	VSS19	VSS116	U12
E2	VSS20	VSS117	U13
E4	VSS21	VSS118	U14
E8	VSS22	VSS119	U15
E15	VSS23	VSS120	U16
F3	VSS24	VSS121	U17
F4	VSS25	VSS122	U24
F5	VSS26	VSS123	U25
F12	VSS27	VSS124	U26
F27	VSS28	VSS125	V2
F28	VSS29	VSS126	V13
G1	VSS30	VSS127	V15
G2	VSS31	VSS128	V24
G5	VSS32	VSS129	V27
G6	VSS33	VSS130	V28
G8	VSS34	VSS131	W6
G14	VSS35	VSS132	W24
G18	VSS36	VSS133	W25
G21	VSS37	VSS134	W26
G24	VSS38	VSS135	Y2
G25	VSS39	VSS136	Y24
G26	VSS40	VSS137	Y27
H3	VSS41	VSS138	Y28
H4	VSS42	VSS139	AA1
H5	VSS43	VSS140	AA24
H24	VSS44	VSS141	AA25
H27	VSS45	VSS142	AA26
H28	VSS46	VSS143	AB4
J1	VSS47	VSS144	AB6
J2	VSS48	VSS145	AB11
J5	VSS49	VSS146	AB14
J24	VSS50	VSS147	AB16
J25	VSS51	VSS148	AB19
J26	VSS52	VSS149	AB21
K24	VSS53	VSS150	AB24
K27	VSS54	VSS151	AB27
K28	VSS55	VSS152	AB28
L13	VSS56	VSS153	AC2
L15	VSS57	VSS154	AC5
L24	VSS58	VSS155	AC9
L25	VSS59	VSS156	AC11
L26	VSS60	VSS157	AD1
M1	VSS61	VSS158	AD3
M4	VSS62	VSS159	AD4
M5	VSS63	VSS160	AD7
M12	VSS64	VSS161	AD8
M13	VSS65	VSS162	AD11
M14	VSS66	VSS163	AD15
M15	VSS67	VSS164	AD19
M16	VSS68	VSS165	AD23
M17	VSS69	VSS166	AE2
M24	VSS70	VSS167	AE4
M27	VSS71	VSS168	AE8
M28	VSS72	VSS169	AE11
N1	VSS73	VSS170	AE13
N2	VSS74	VSS171	AE18
N5	VSS75	VSS172	AE21
N6	VSS76	VSS173	AE24
N11	VSS77	VSS174	AE25
N12	VSS78	VSS175	AF2
N13	VSS79	VSS176	AF4
N14	VSS80	VSS177	AF9
N15	VSS81	VSS178	AF11
N16	VSS82	VSS179	AF27
N17	VSS83	VSS180	AF28
N18	VSS84	VSS181	AG1
N24	VSS85	VSS182	AG3
N25	VSS86	VSS183	AG7
N26	VSS87	VSS184	AG11
P2	VSS88	VSS185	AG14
P4	VSS89	VSS186	AG17
P12	VSS90	VSS187	AG20
P13	VSS91	VSS188	AG23
P14	VSS92	VSS189	AH1
P15	VSS93	VSS190	AH3
P16	VSS94	VSS191	AH7
P17	VSS95	VSS192	AH12
P24	VSS96	VSS193	AH23
P27	VSS97	VSS194	AH27

ITL ICH7_MBGA_652P

INVENTEC			
TITLE DAVOS 3.0 ICH7-5			
SIZE A3	CODE CS	DOC. NUMBER <i>Model No</i>	REV AX2
SHEET		34 OF	63

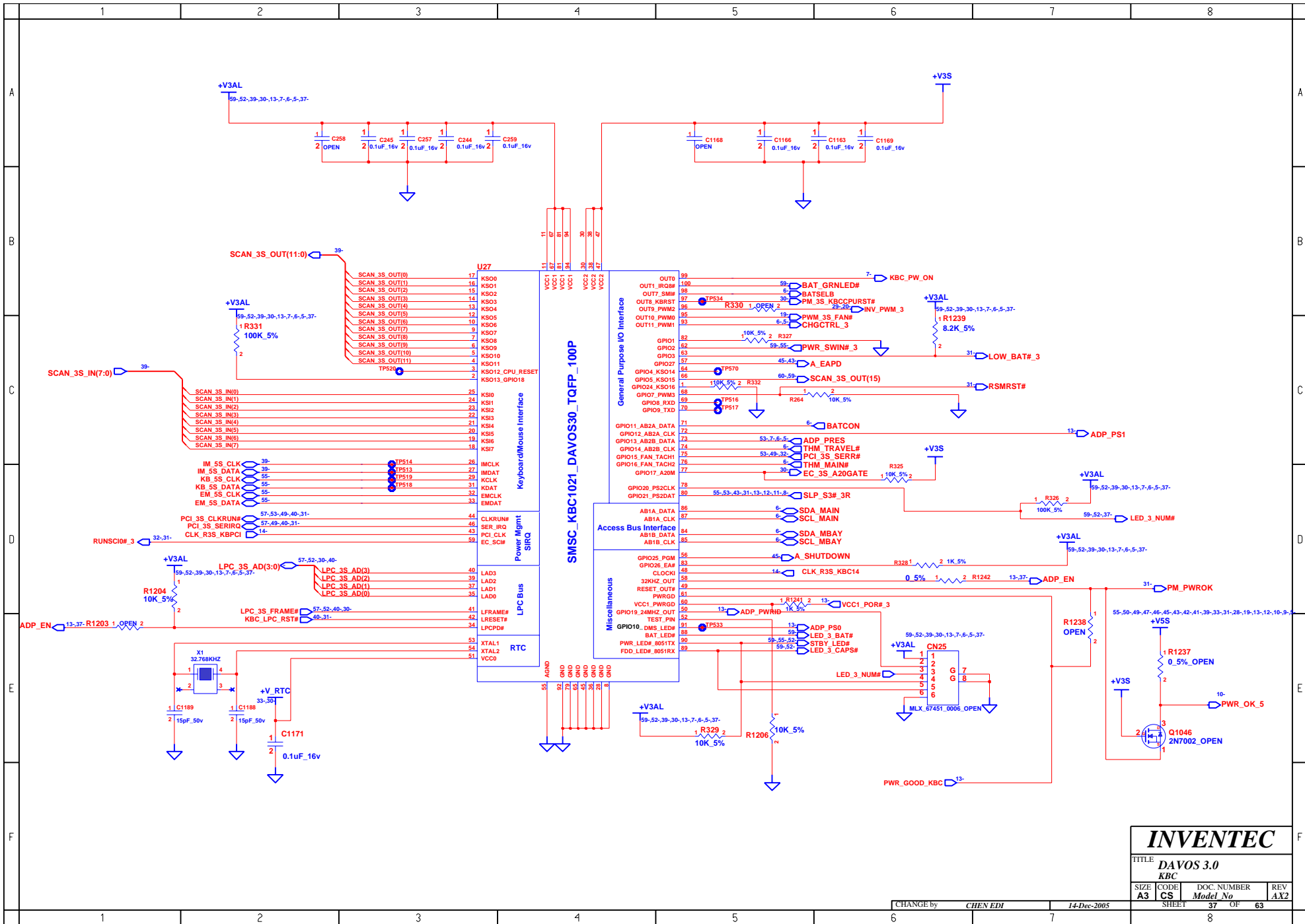
	1	2	3	4	5	6	7	8	
--	---	---	---	---	---	---	---	---	--

FINGER PRINT DAUGHTER BOARD

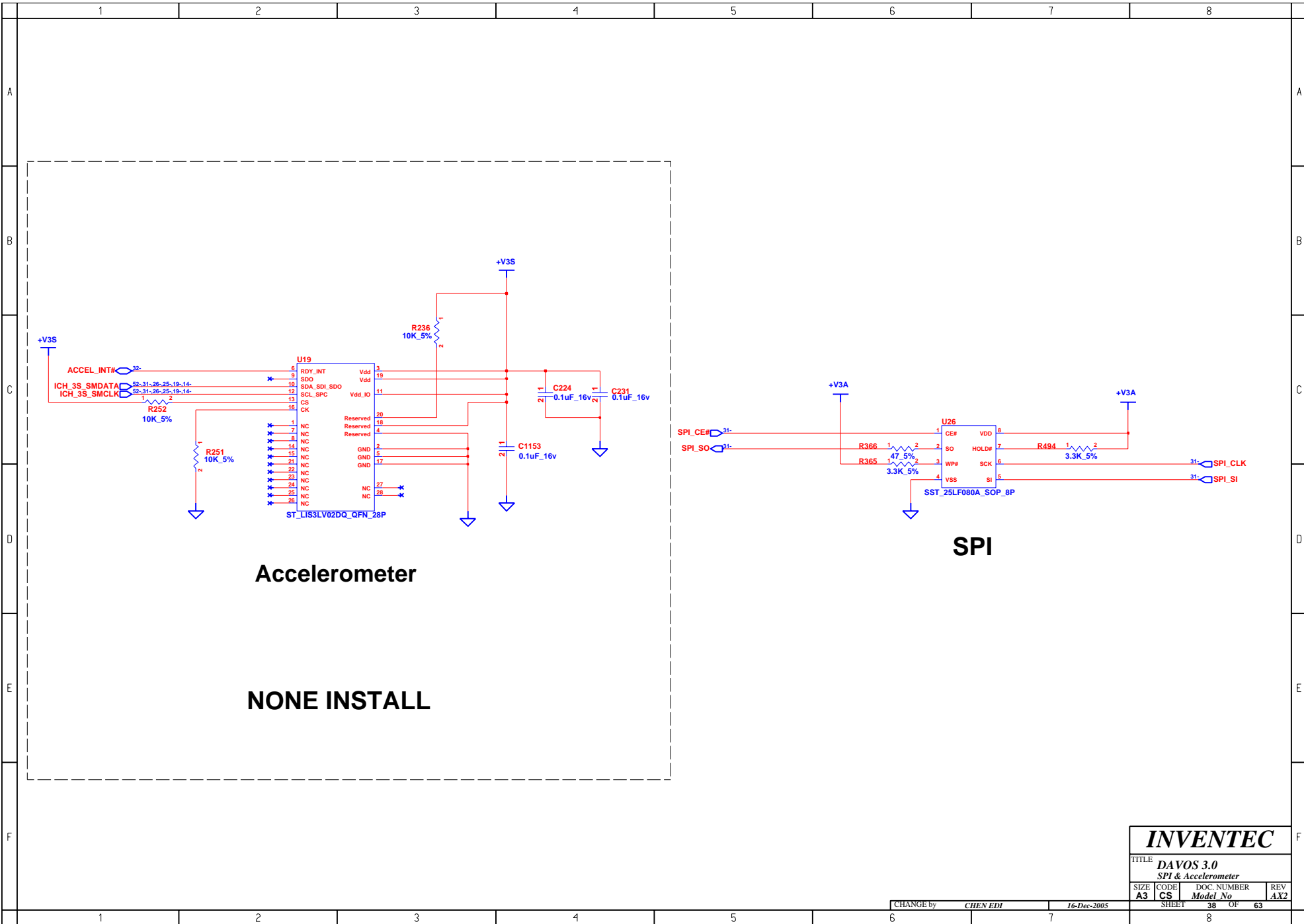


FF only

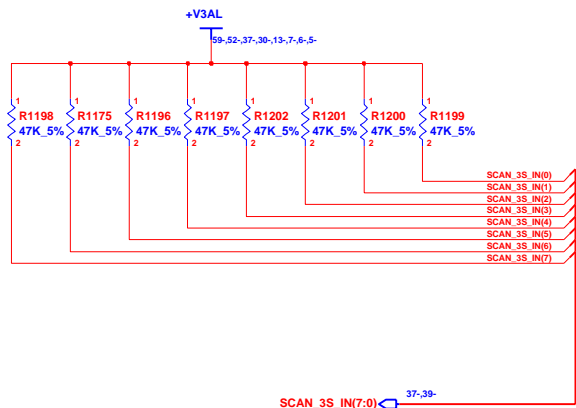
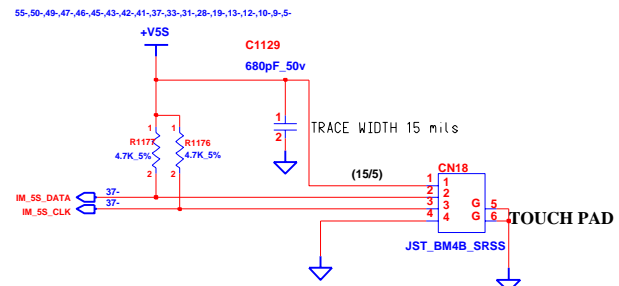
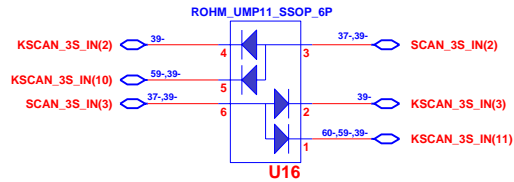
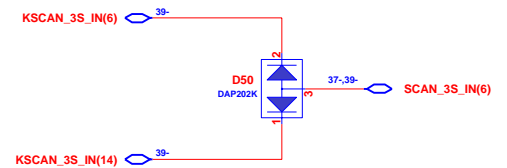
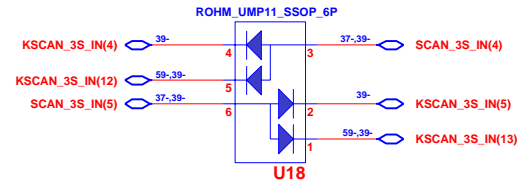
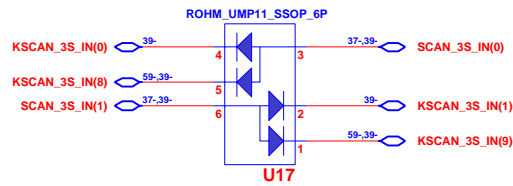
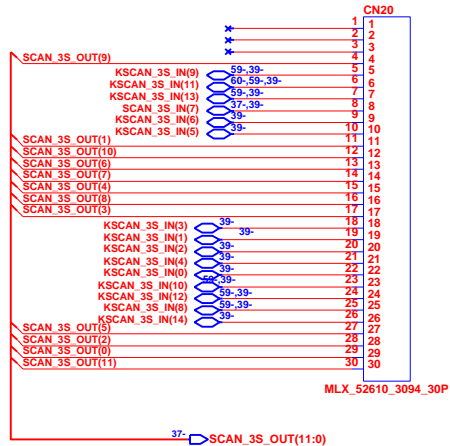
INVENTEC			
TITLE DAVOS 3.0 FINGER PRINT			
SIZE A3	CODE CS	DOC. NUMBER Model No	REV AX2
CHANGE by CHEN EDI		5-Dec-2005	
SHEET 36		OF 63	



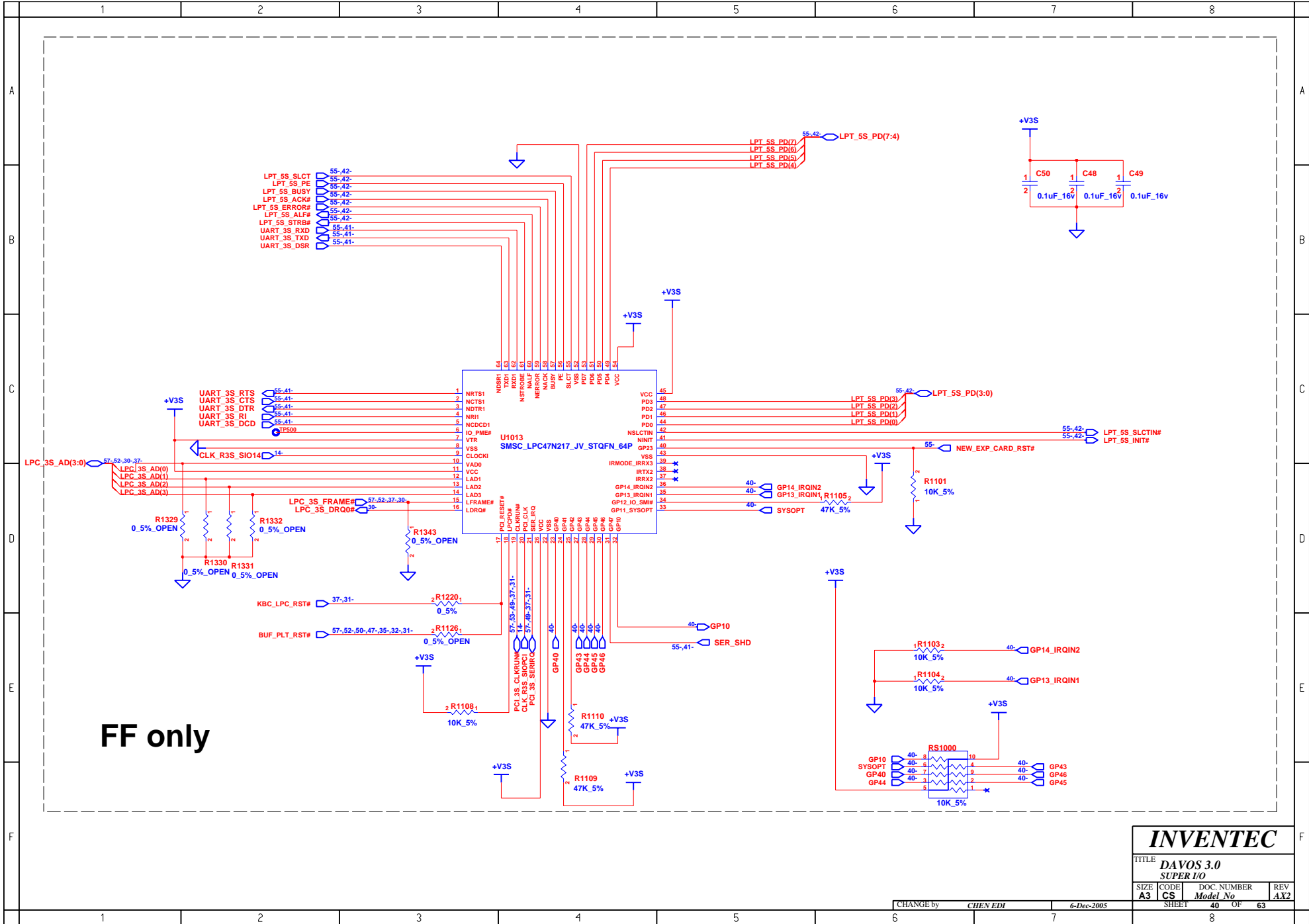
INVENTEC			
TITLE DAVOS 3.0			
KBC			
SIZE	CODE	DOC. NUMBER	REV
A3	CS	Model No	AX2
CHANGE by		14-Dec-2005	SHEET 37 OF 63
CHEN EDI			



INVENTEC			
TITLE DAVOS 3.0 <i>SPI & Accelerometer</i>			
SIZE A3	CODE CS	DOC. NUMBER <i>Model No</i>	REV AX2
CHANGE by <i>CHEN EDI</i>		16-Dec-2005	
SHEET 38		OF 63	



INVENTEC			
TITLE DAVOS 3.0 INT.KBC/POINT DEVICES			
SIZE A3	CODE CS	DOC. NUMBER Model No	REV AX2
CHANGE by CHEN EDI		6-Dec-2005	
SHEET 39		OF 63	



FF only

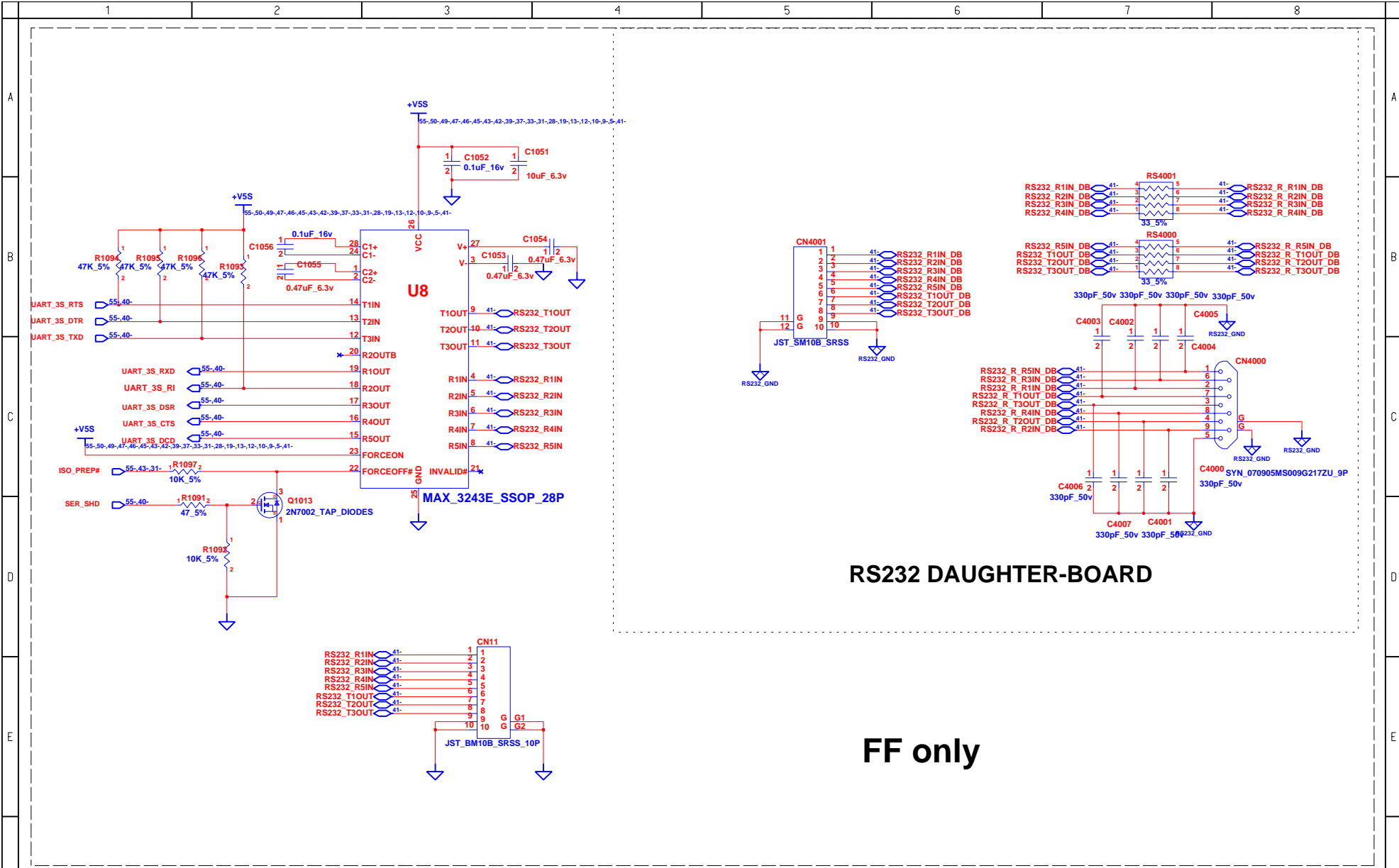
INVENTEC

TITLE
DAVOS 3.0
SUPER I/O

SIZE	CODE	DOC. NUMBER	REV
A3	CS	Model No	AX2

CHANGE by CHEN EDI 6-Dec-2005

SHEET 40 OF 63

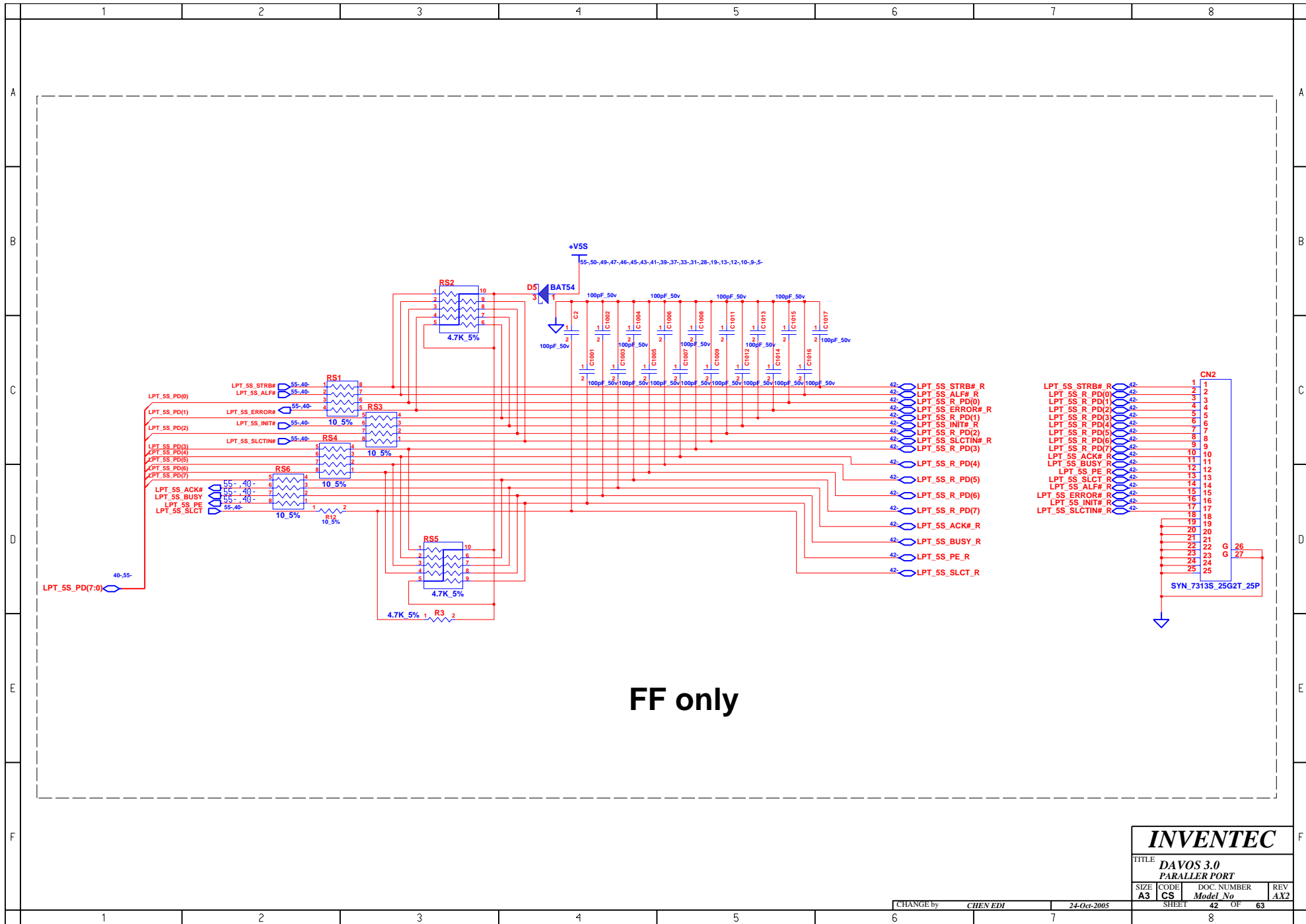


RS232 DAUGHTER-BOARD

FF only

INVENTEC

TITLE			
DAVOS 3.0			
SERIAL PORT			
SIZE	CODE	DOC. NUMBER	REV
A3	CS	Model No	AX2

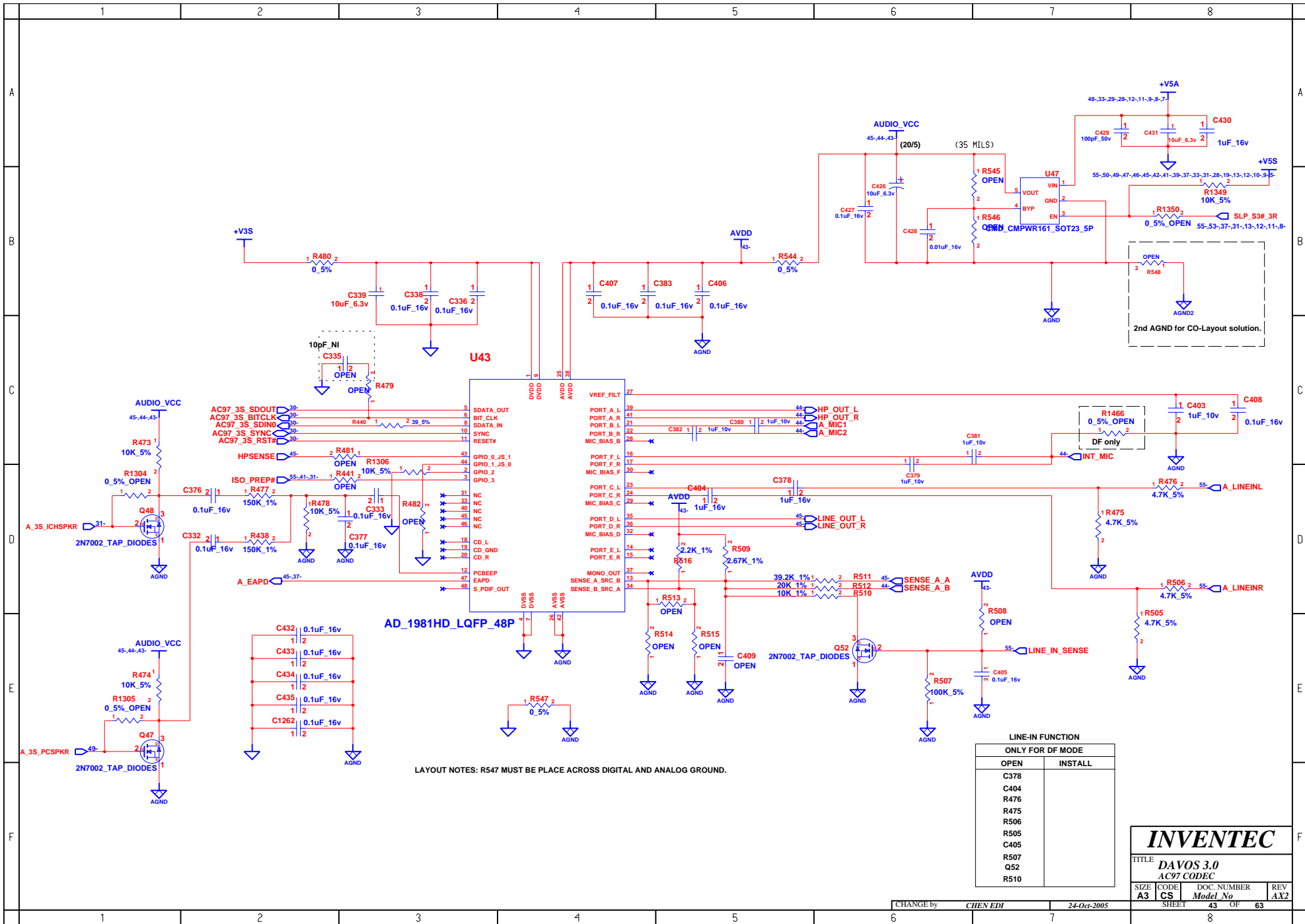


FF only

INVENTEC

TITLE
**DAVOS 3.0
 PARALLEL PORT**

SIZE A3	CODE CS	DOC. NUMBER <i>Model No</i>	REV AX2
-------------------	-------------------	--------------------------------	-------------------



LINE-IN FUNCTION

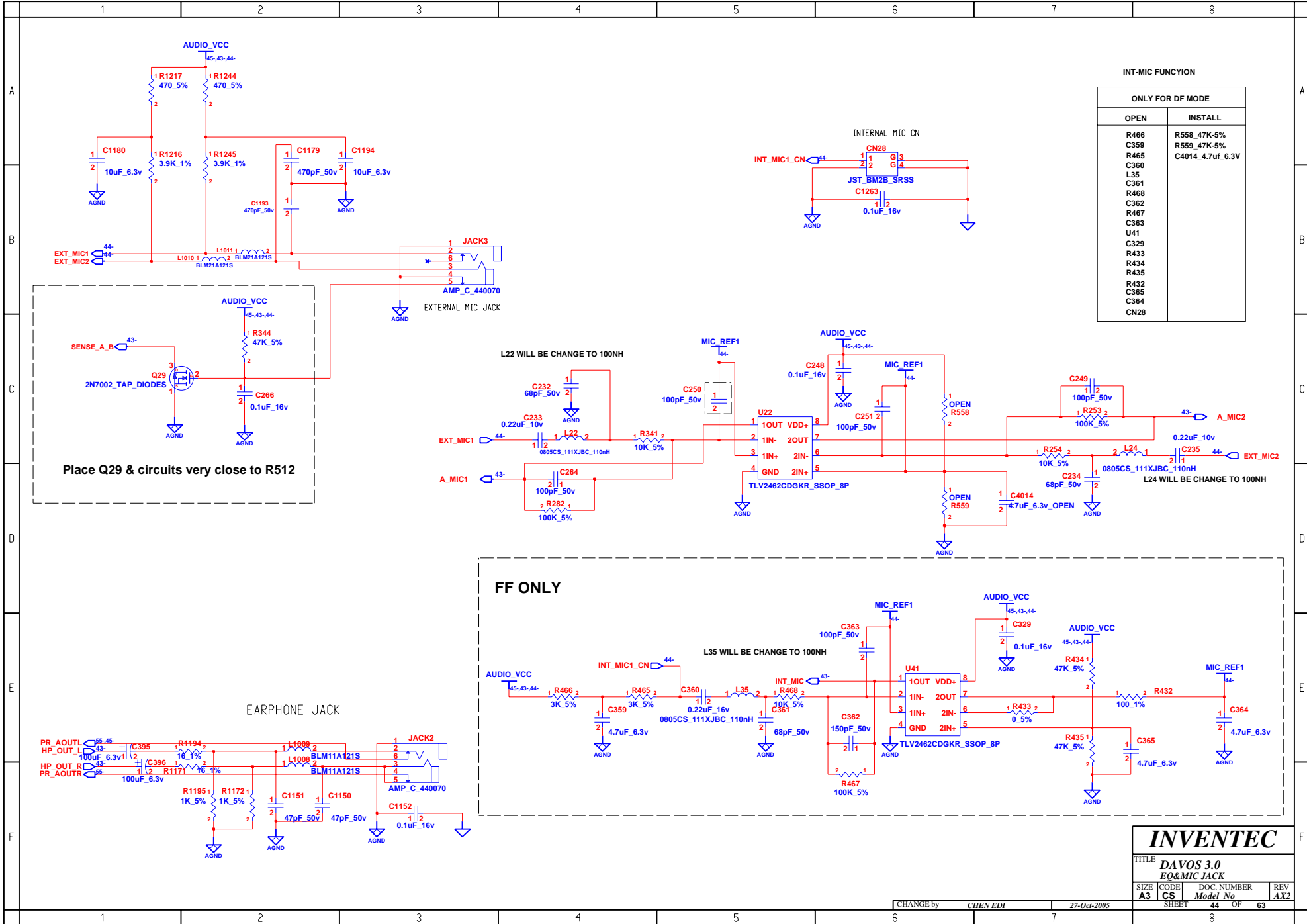
ONLY FOR DF MODE

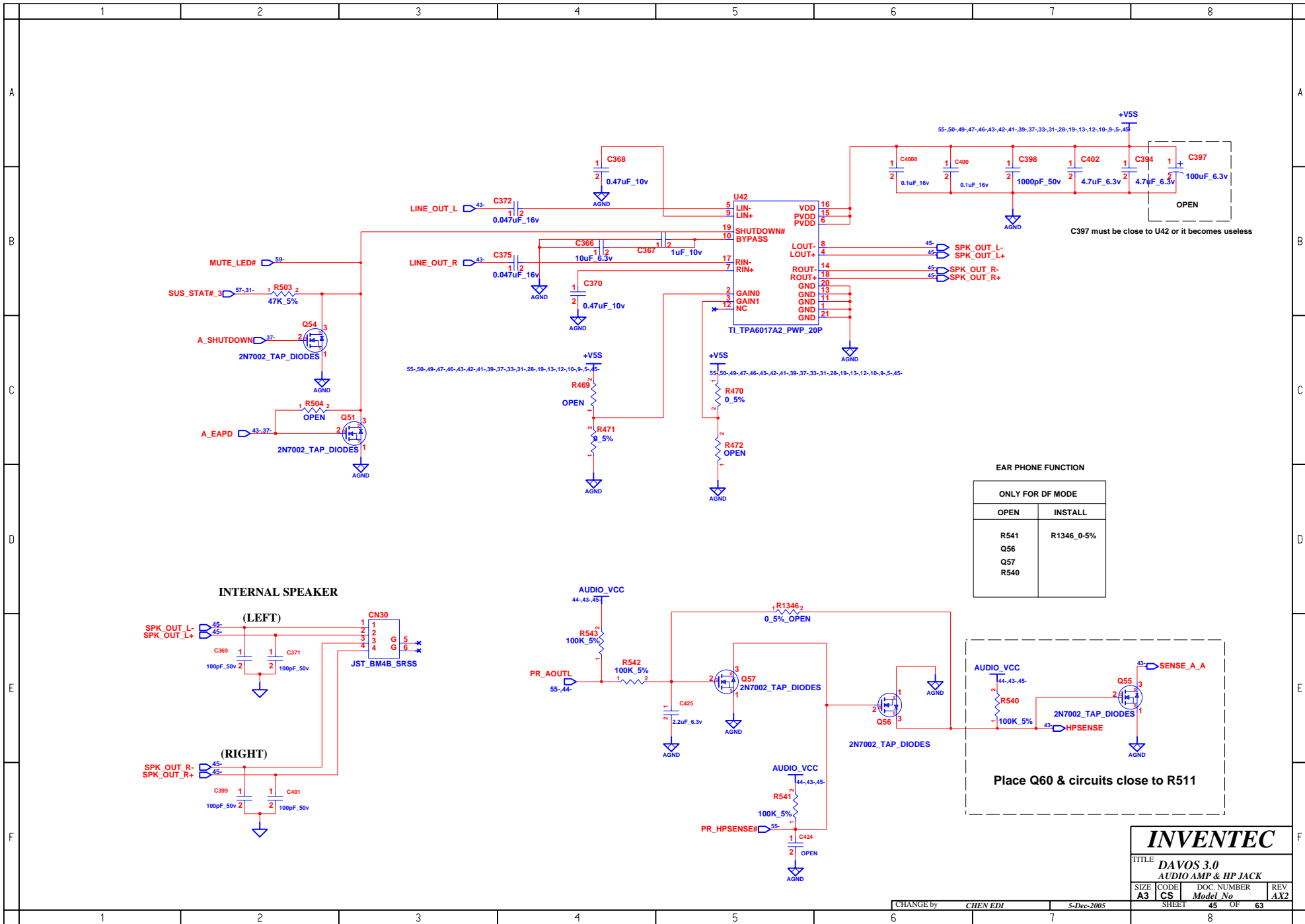
OPEN	INSTALL
C378	
C404	
R476	
R475	
R506	
R505	
C405	
R507	
Q52	
R510	

INVENTEC

TITLE
DAVOS 3.0
AC97 CODEC

SIZE	CODE	DOC. NUMBER	REV
A3	CS	Model No	AX2





C397 must be close to U42 or it becomes useless

EAR PHONE FUNCTION

ONLY FOR DF MODE	
OPEN	INSTALL
R541	R1346_0-5%
Q56	
Q57	
R540	

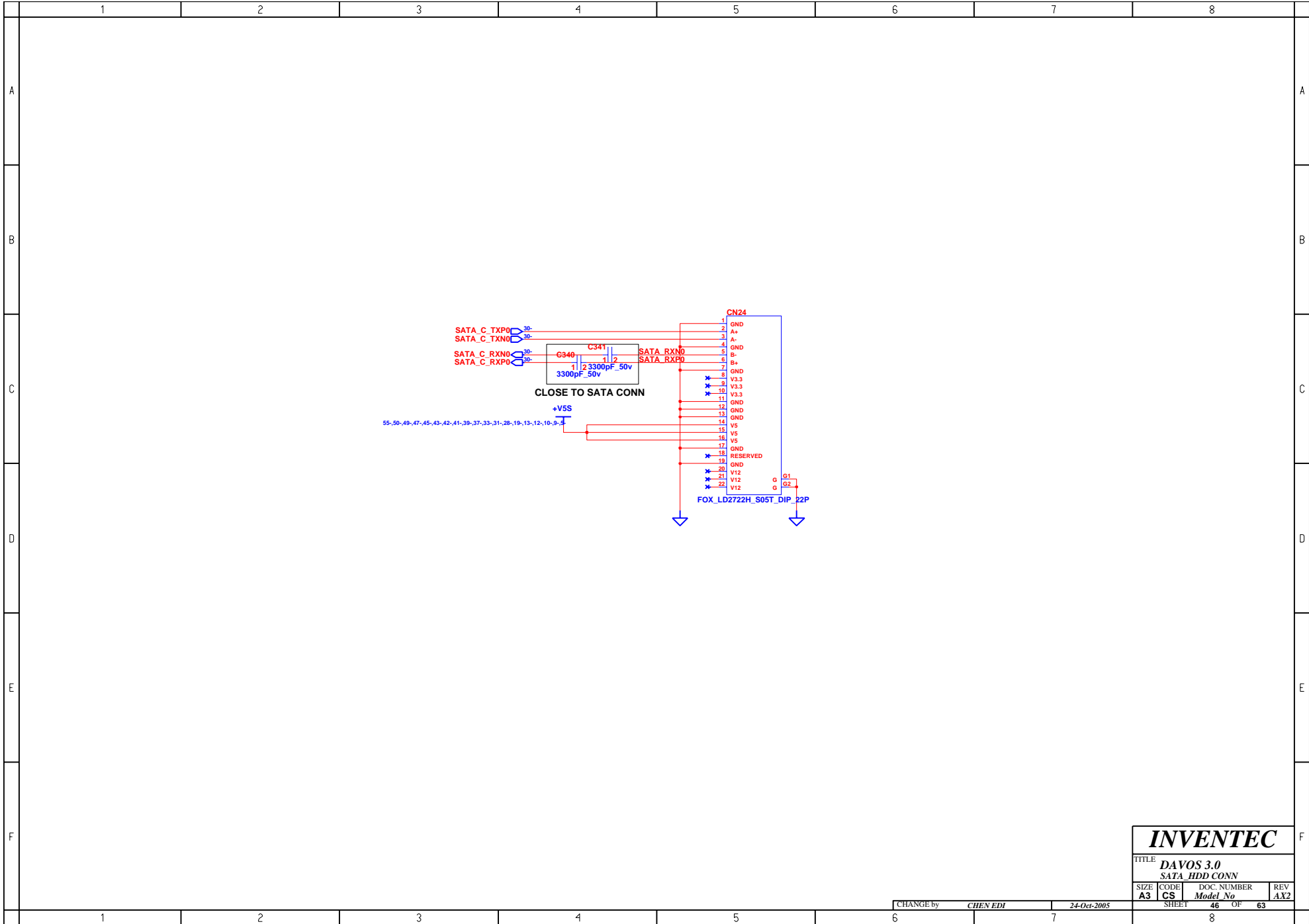
Place Q60 & circuits close to R511

INVENTEC

TITLE
DAVOS 3.0
AUDIO AMP & HP JACK

SIZE A3	CODE CS	DOC. NUMBER <i>Model No</i>	REV AX2
-------------------	-------------------	--------------------------------	-------------------

CHANGE by *CHEN EDI* 5-Dec-2005 SHEET 45 OF 63



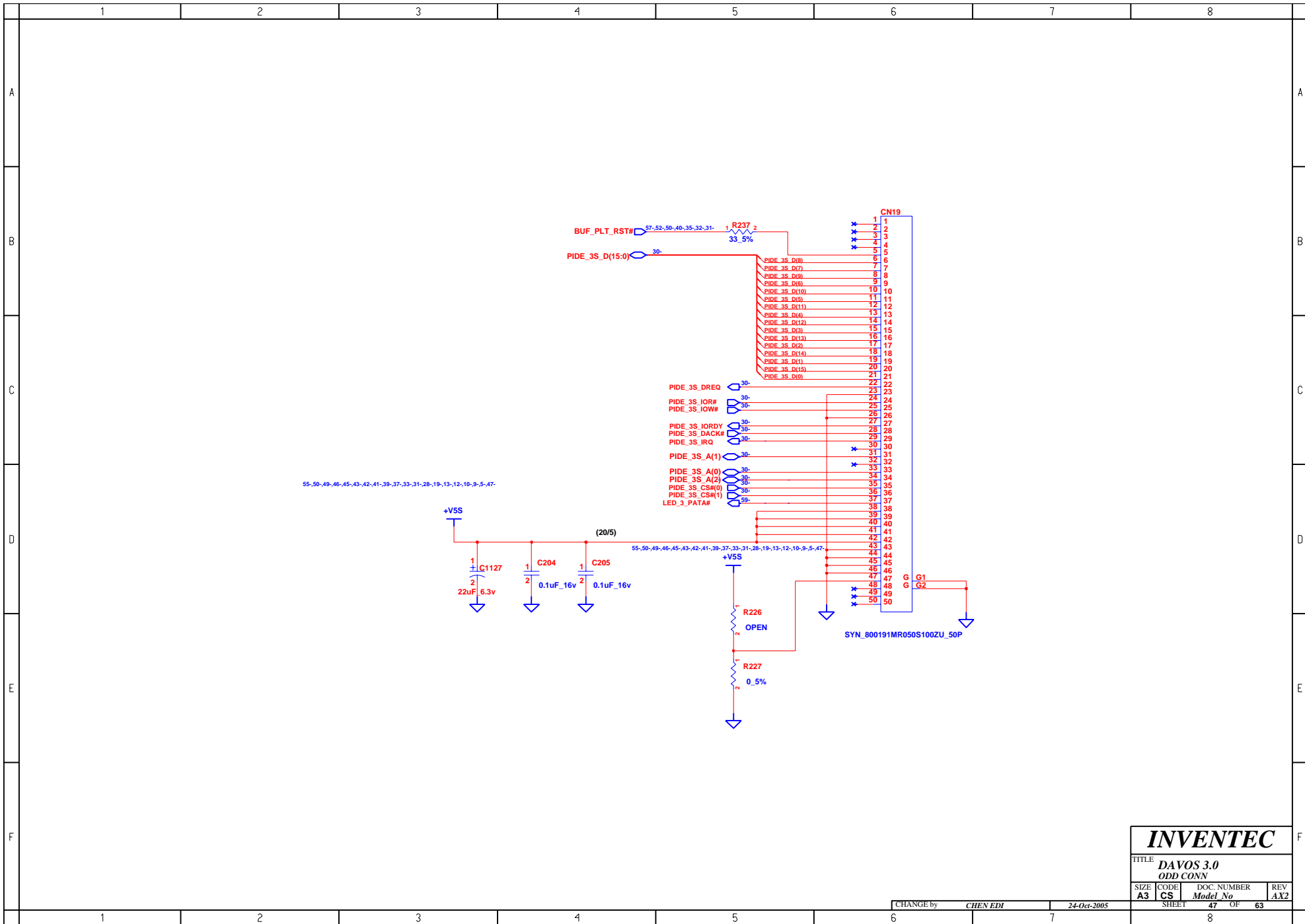
INVENTEC

TITLE
DAVOS 3.0
SATA_HDD_CONN

SIZE A3	CODE CS	DOC. NUMBER <i>Model No.</i>	REV AX2
-------------------	-------------------	---------------------------------	-------------------

CHANGE by *CHEN EDI* 24-Oct-2005

SHEET 46 OF 63

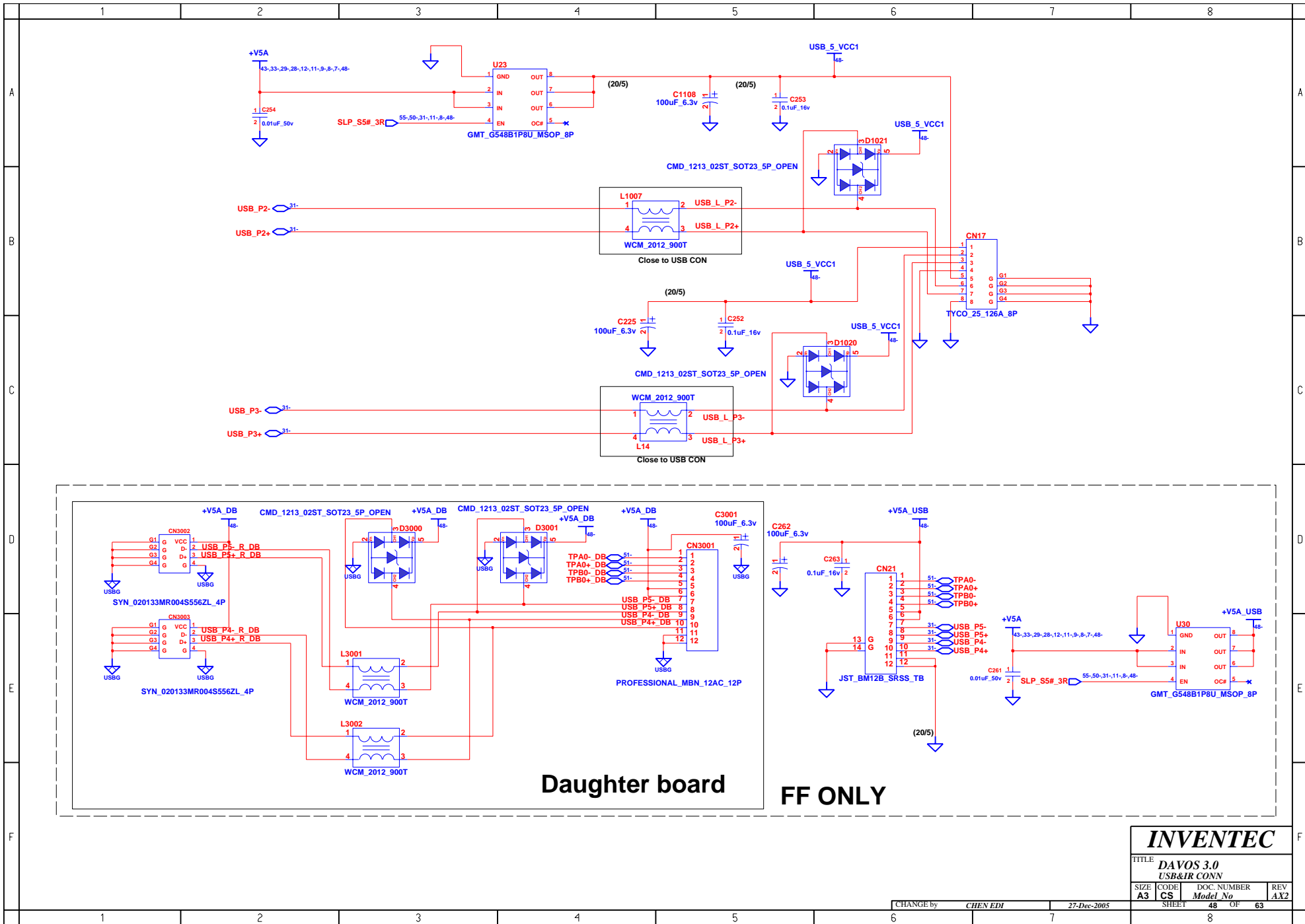


INVENTEC

TITLE			
DAVOS 3.0			
ODD CONN			
SIZE	CODE	DOC. NUMBER	REV
A3	CS	Model No	AX2

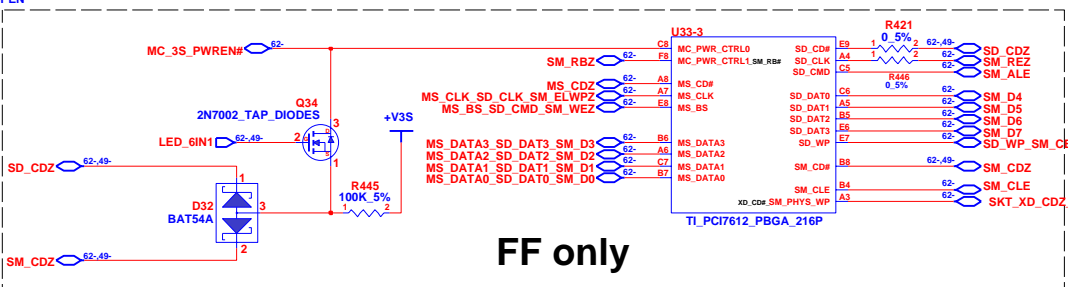
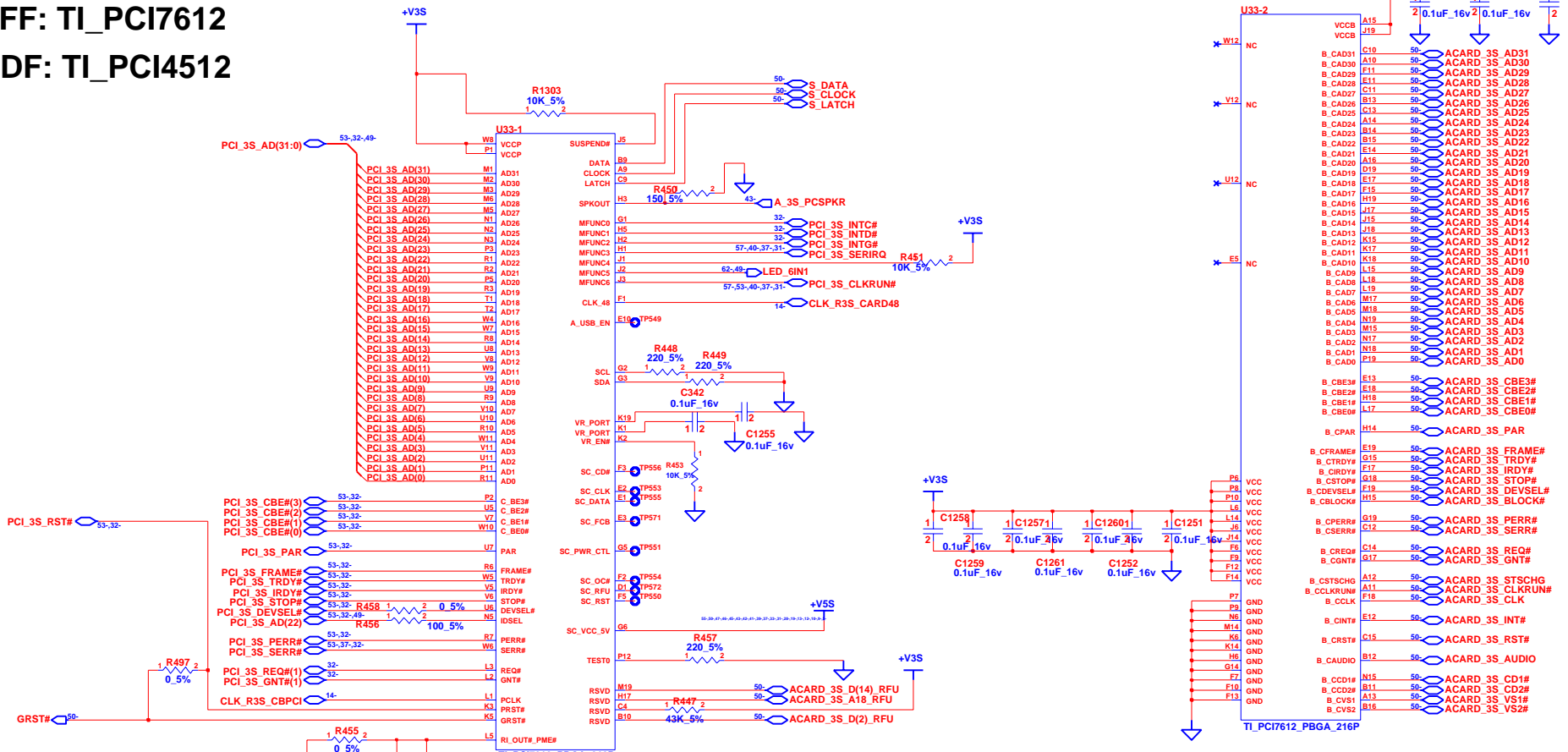
CHANGE by CHEN EDI 24-Oct-2005

SHEET 47 OF 63



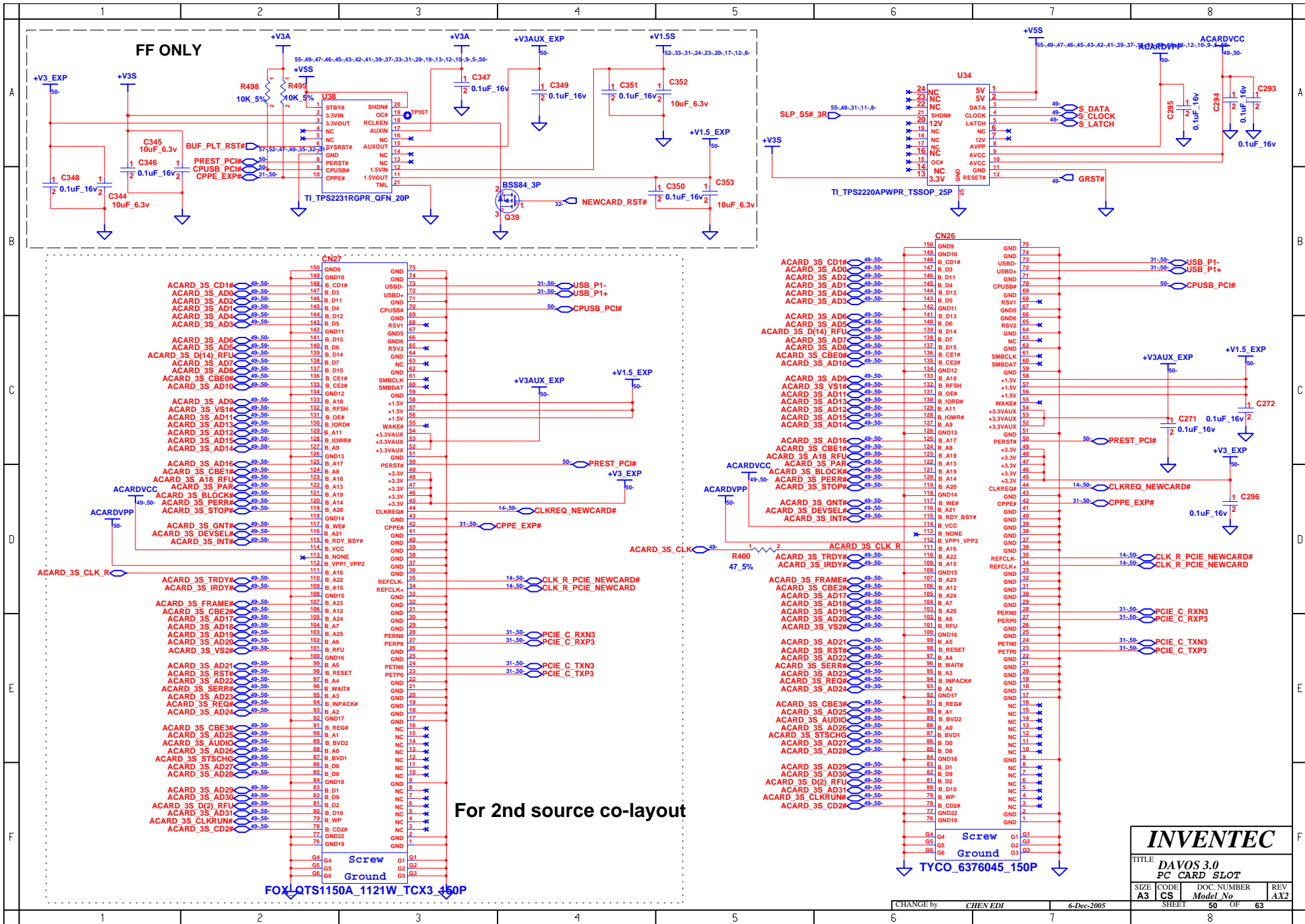
INVENTEC			
TITLE DAVOS 3.0 USB&IR CONN			
SIZE A3	CODE CS	DOC. NUMBER <i>Model No</i>	REV AX2
CHANGE by <i>CHEN EDI</i>		27-Dec-2005	
SHEET 48		OF 63	

FF: TI_PCI7612
DF: TI_PCI4512



FF only

INVENTEC				
TITLE DAVOS 3.0 CARBUS CONTROLLER				
SIZE	CODE	DOC. NUMBER	REV	
A3	CS	Model No	49	AX2
CHANGE by		5-Dec-2005		SHEET
CHEN EDI				OF 63
				8



For 2nd source co-layout

FOX_QTS1150A_1121W_TCX3_150P

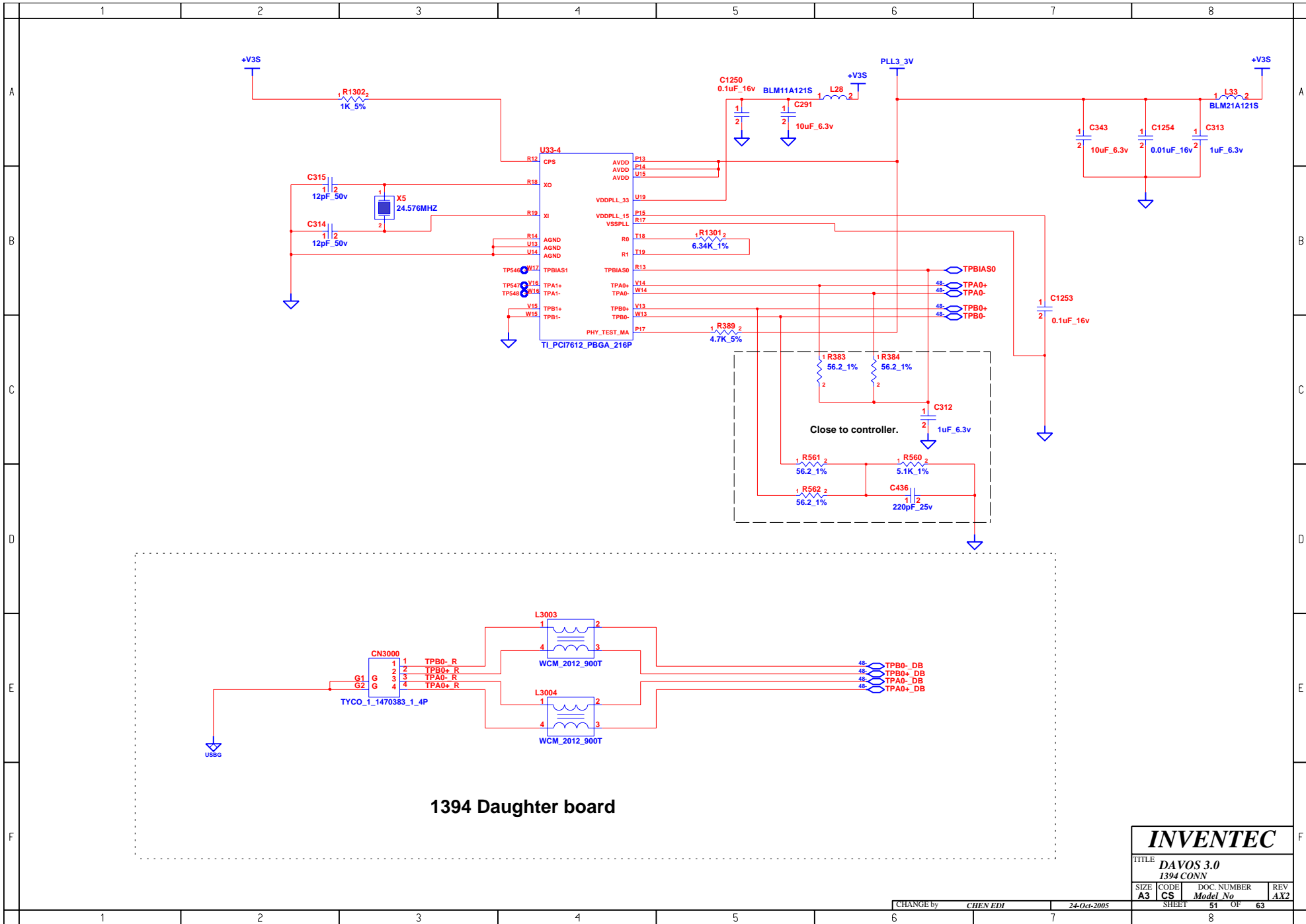
INVENTEC

TITLE
DAVOS 3.0
PC CARD SLOT

SIZE	CODE	DOC. NUMBER	REV
A3	CS	150	AX2

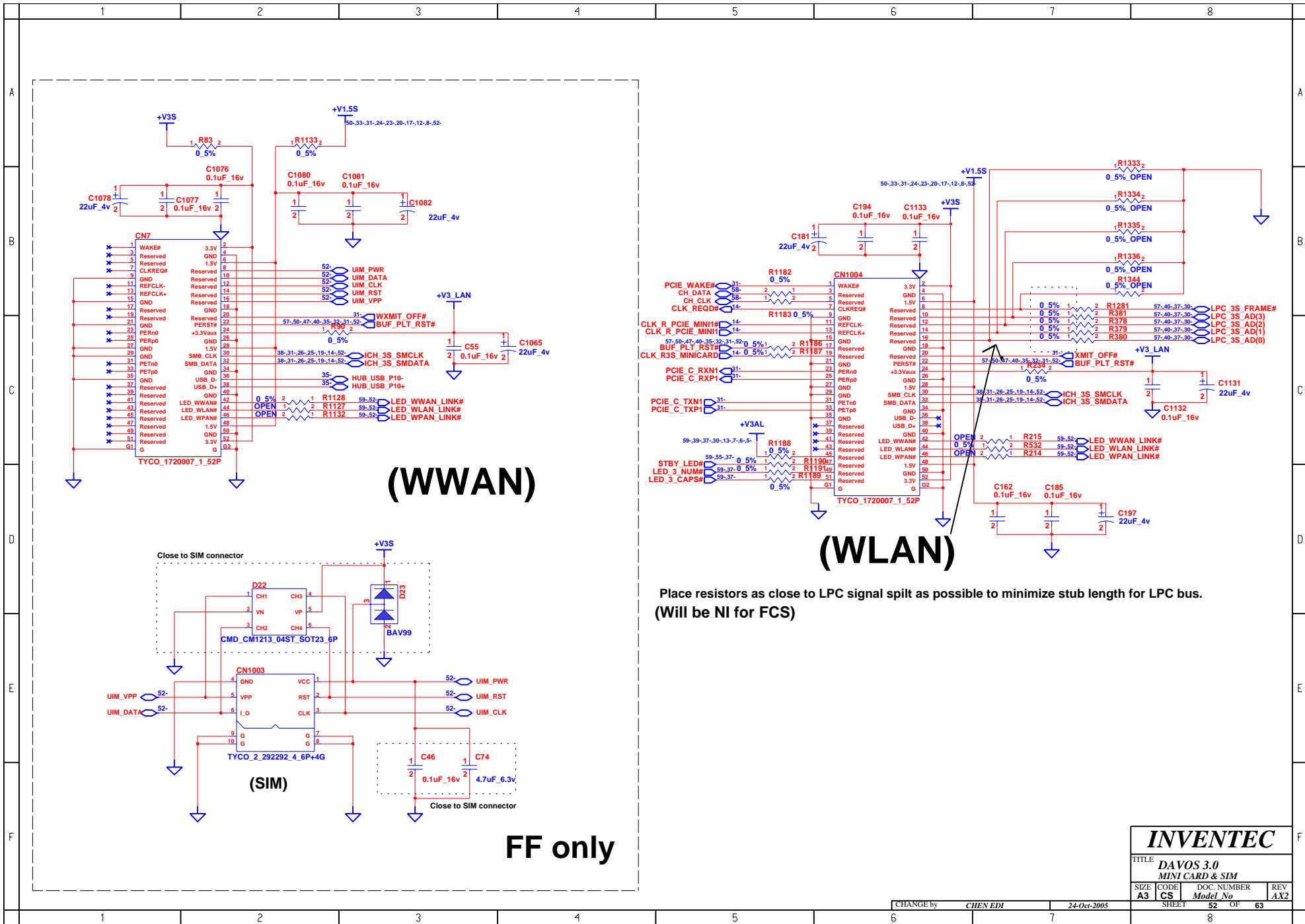
CHANGE by CHEN EDI 6-Dec-2005 SHEET 50 OF 63

TYCO 6376045_150P



1394 Daughter board

INVENTEC			
TITLE DAVOS 3.0 1394 CONN			
SIZE A3	CODE CS	DOC. NUMBER <i>Model No</i>	REV AX2
CHANGE by <i>CHEN EDI</i>		24-Oct-2005	
SHEET 51		OF 63	



(WWAN)

(WLAN)

Place resistors as close to LPC signal split as possible to minimize stub length for LPC bus.
(Will be NI for FCS)

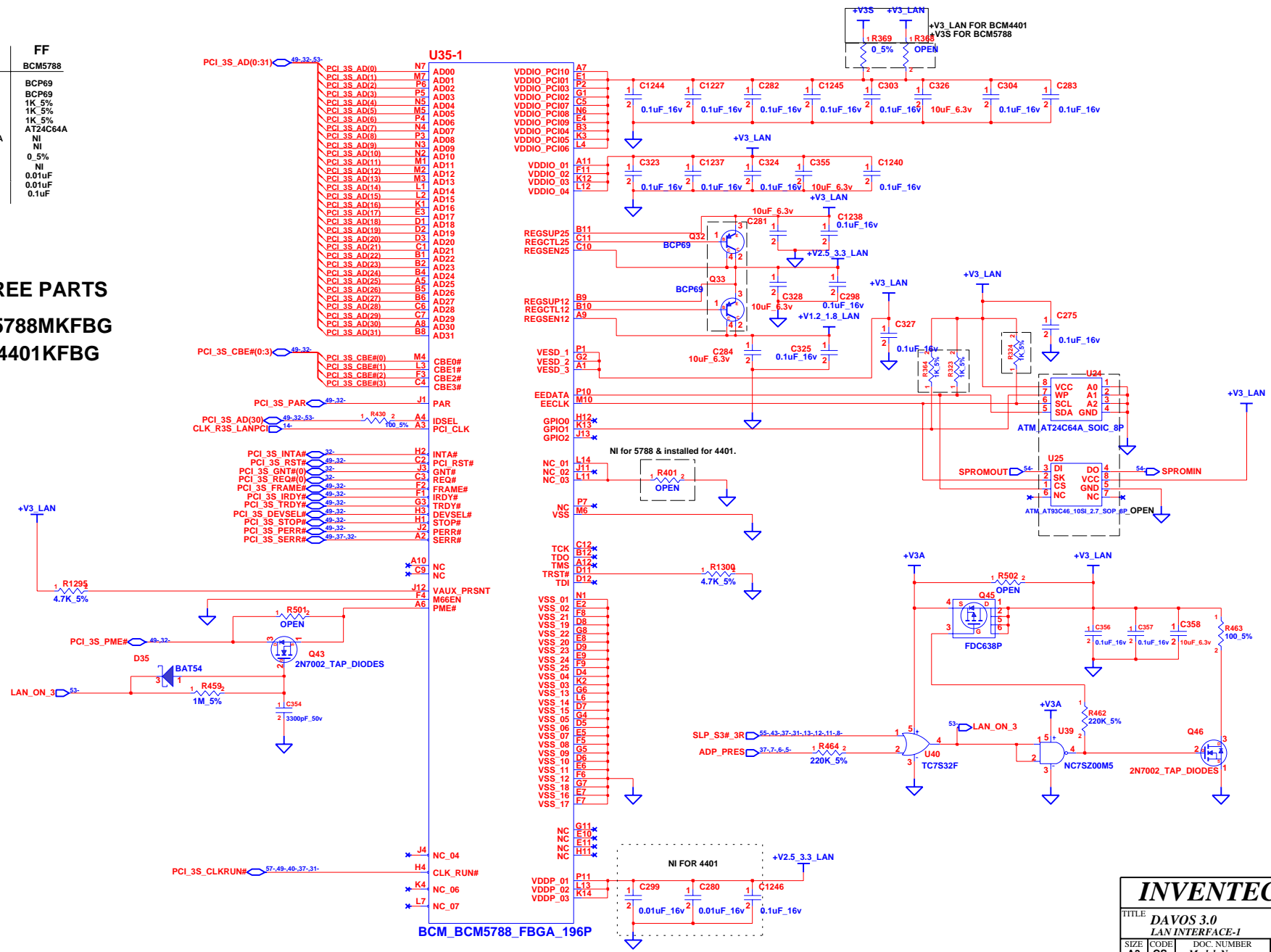
(SIM)

FF only

INVENTEC			
TITLE DAVOS 3.0 MINI CARD & SIM			
SIZE A3	CODE CS	DOC. NUMBER <i>Model No</i>	REV AX2
CHANGE by <i>CHEN EDI</i>		24-Oct-2005	
SHEET 52		OF 63	

REF	DF	FF
	BCM4401	BCM5788
Q32	NI	BCP69
Q33	NI	BCP69
R323	NI	1K 5%
R324	NI	1K 5%
R364	NI	1K 5%
U24	NI	AT24C64A
U25	AT93C46A	NI
R368	0.5%	NI
R369	NI	0.5%
R401	0.5%	NI
C299	NI	0.01uF
C280	NI	0.01uF
C1246	NI	0.1uF

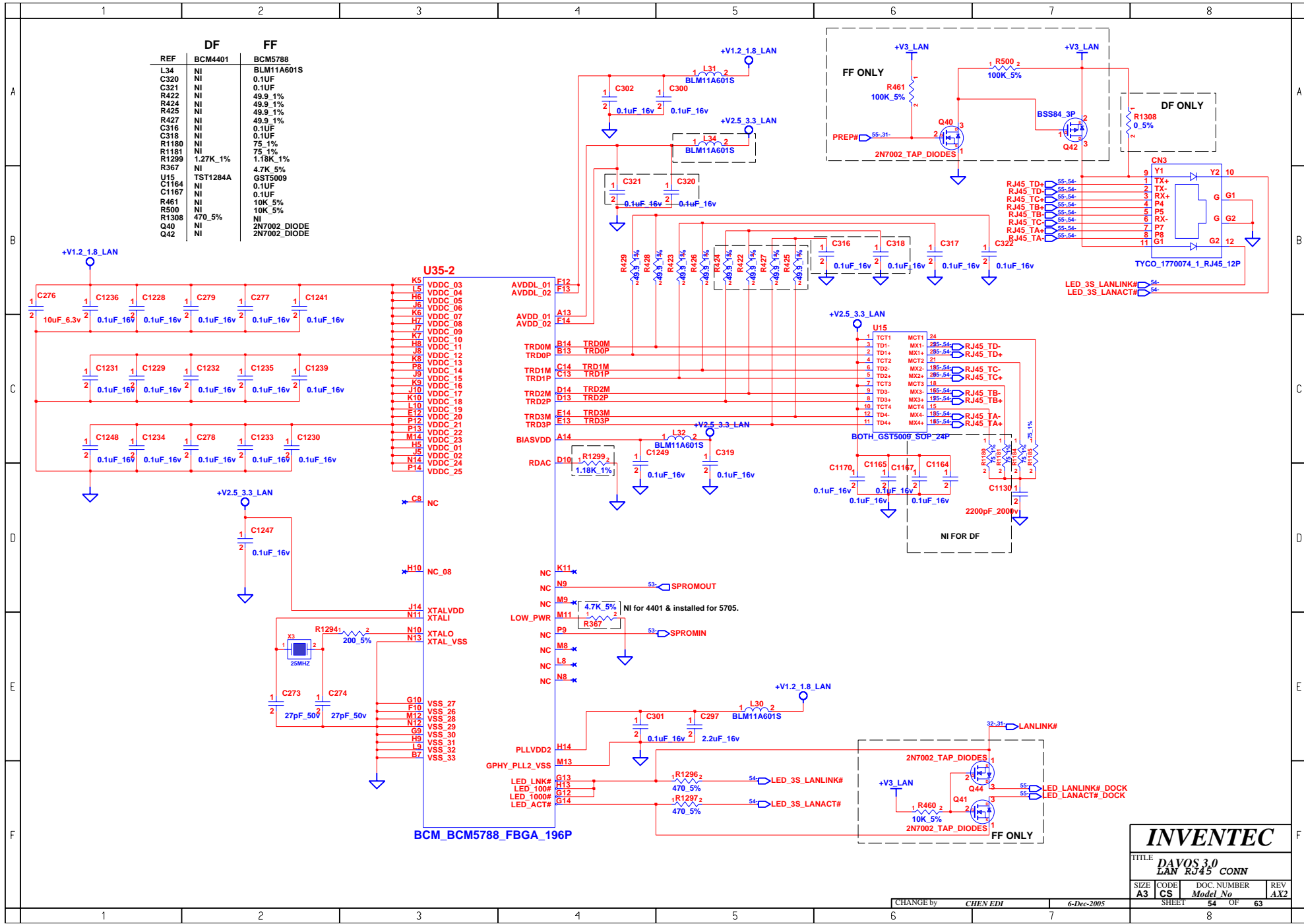
LEAD FREE PARTS
FF:BCM5788MKFBG
DF:BCM4401KFBG



BCM_BCM5788_FBGA_196P

INVENTEC			
TITLE DAVOS 3.0 LAN INTERFACE-1			
SIZE A3	CODE CS	DOC. NUMBER Model No	REV AX2
CHANGE by CHEN EDI		6-Dec-2005	
SHEET 53		OF 63	

REF	DF	FF
	BCM4401	BCM5788
L34	NI	BLM11A601S
C320	NI	0.1UF
C321	NI	0.1UF
R422	NI	49.9 1%
R424	NI	49.9 1%
R425	NI	49.9 1%
R427	NI	49.9 1%
C316	NI	0.1UF
C318	NI	0.1UF
R1180	NI	75 1%
R1181	NI	75 1%
R1299	NI	1.27K 1%
R367	NI	4.7K 5%
U15	TST1284A	GST5009
C1164	NI	0.1UF
C1167	NI	0.1UF
R461	NI	10K 5%
R500	NI	10K 5%
R1308	470 5%	NI
Q40	NI	2N7002_DIODE
Q42	NI	2N7002_DIODE

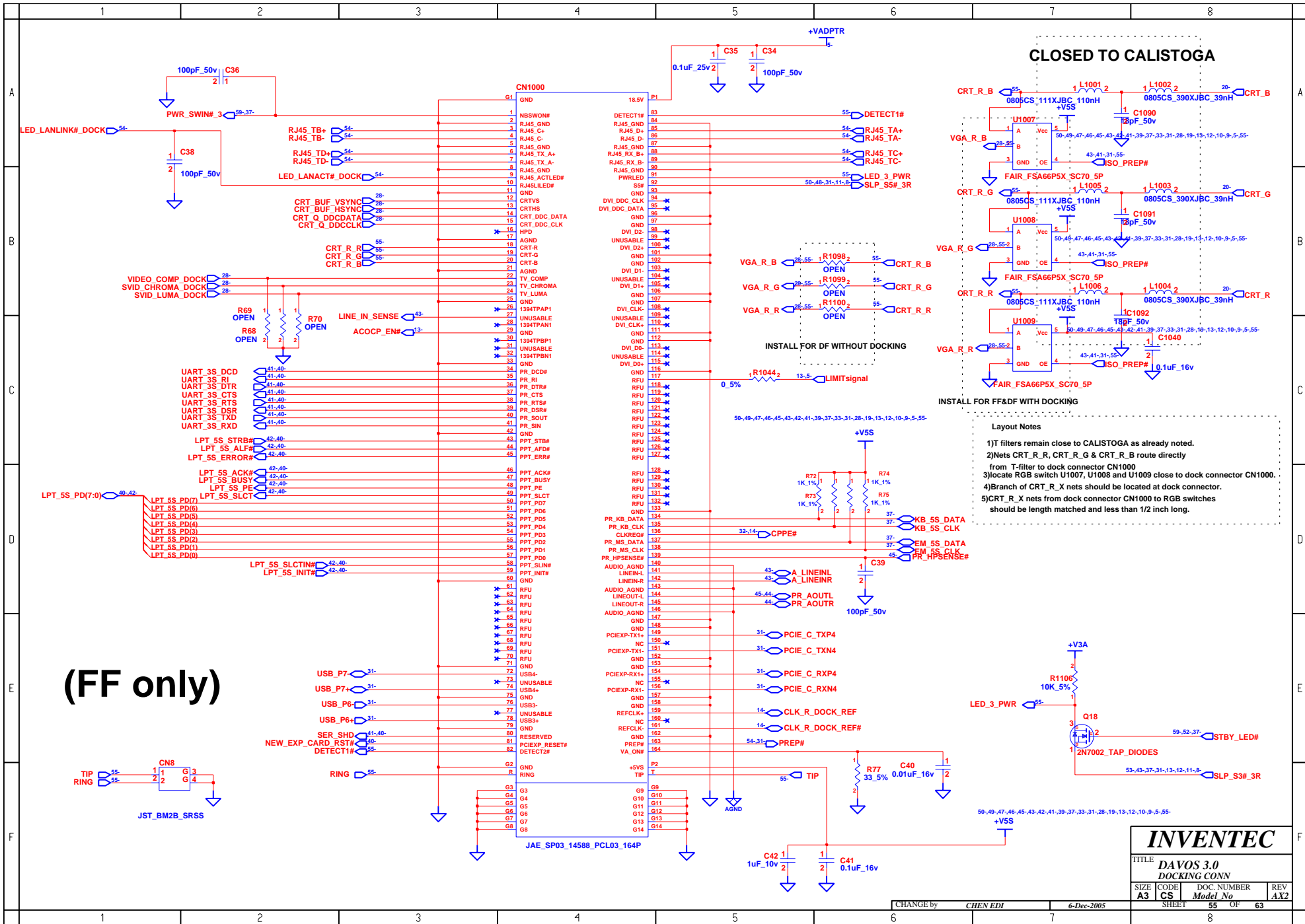


INVENTEC
 TITLE
DAVOS 3.0
LAN RJ45 CONN

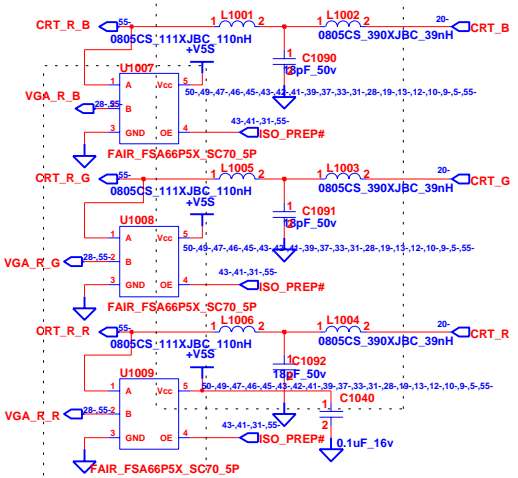
SIZE	CODE	DOC. NUMBER	REV
A3	CS	Model No	AX2

CHANGE by CHEN EDI 6-Dec-2005

SHEET 54 OF 63



CLOSED TO CALISTOGA



INSTALL FOR DF WITHOUT DOCKING

INSTALL FOR FF&DF WITH DOCKING

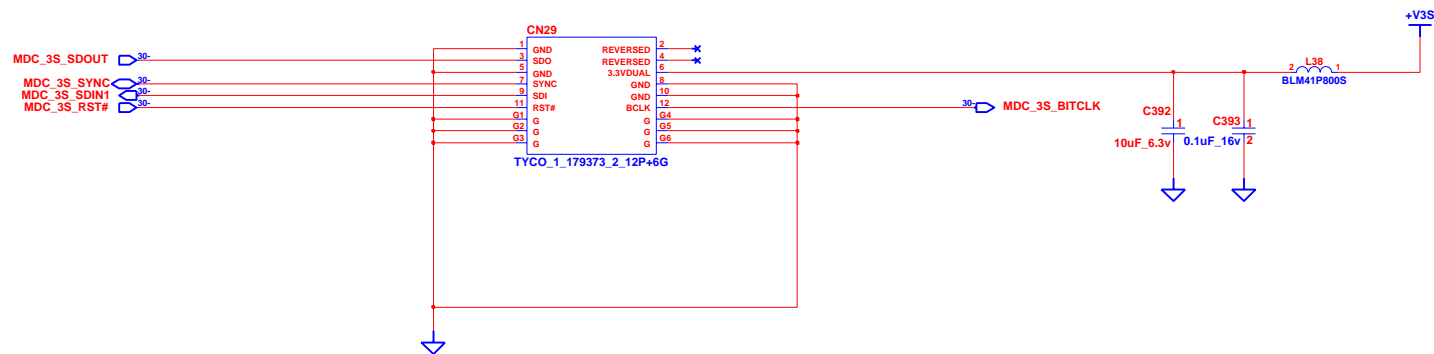
Layout Notes

- 1)T filters remain close to CALISTOGA as already noted.
- 2)Nets CRT_R_R, CRT_R_G & CRT_R_B route directly from T-filter to dock connector CN1000
- 3)locate RGB switch U1007, U1008 and U1009 close to dock connector CN1000.
- 4)Branch of CRT_R_X nets should be located at dock connector.
- 5)CRT_R_X nets from dock connector CN1000 to RGB switches should be length matched and less than 1/2 inch long.

(FF only)

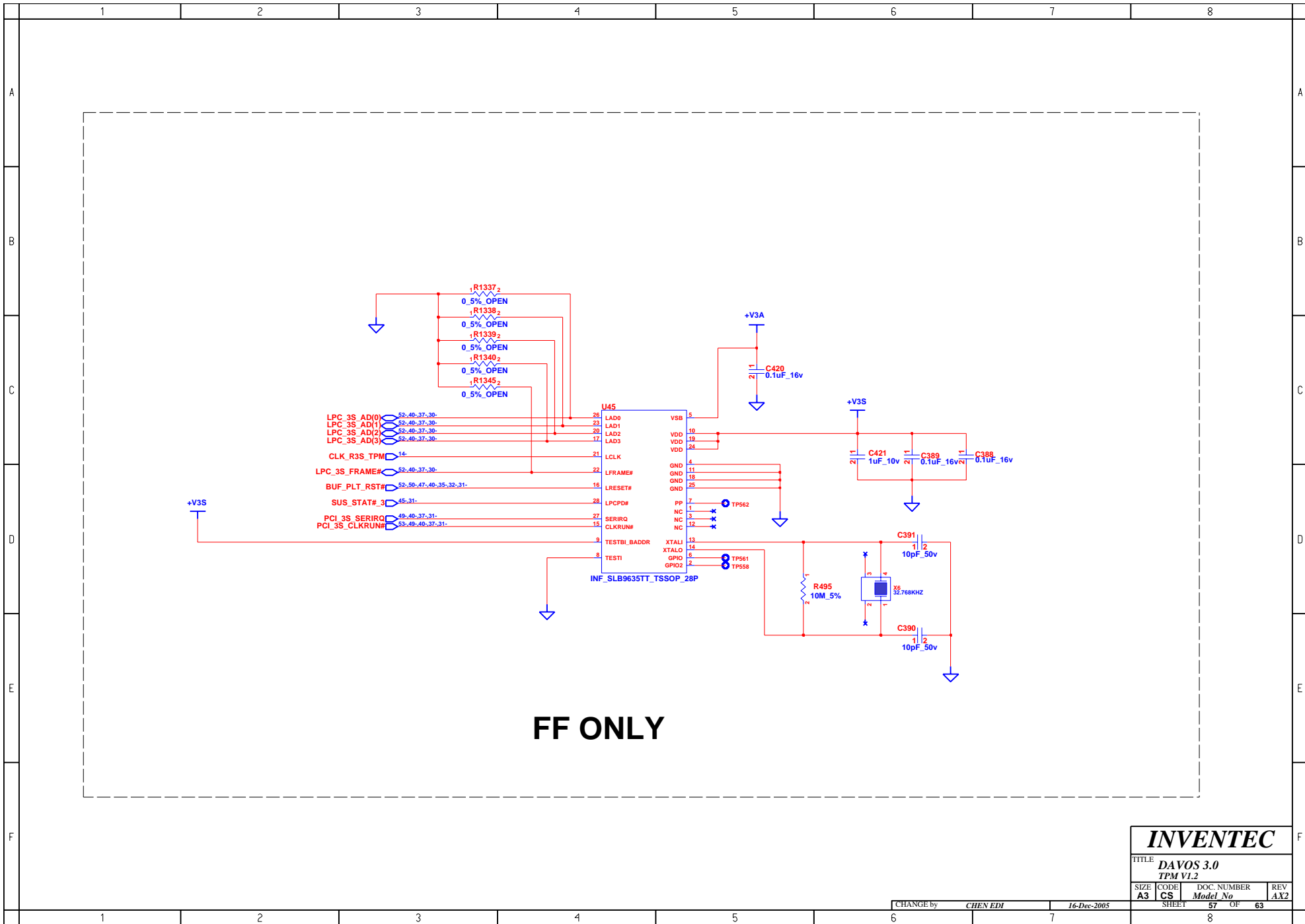
INVENTEC

TITLE			
DAVOS 3.0 DOCKING CONN			
SIZE	CODE	DOC NUMBER	REV
A3	CS	Model No	AX2
SHEET		55	OF 63



MDC V1.5 CONNECTOR

INVENTEC			
TITLE DAVOS 3.0			
MDC V1.5 CONNECTOR			
SIZE A3	CODE CS	DOC. NUMBER <i>Model No</i>	REV AX2
CHANGE by CHEN EDI		24-Oct-2005	SHEET 56 OF 63



FF ONLY

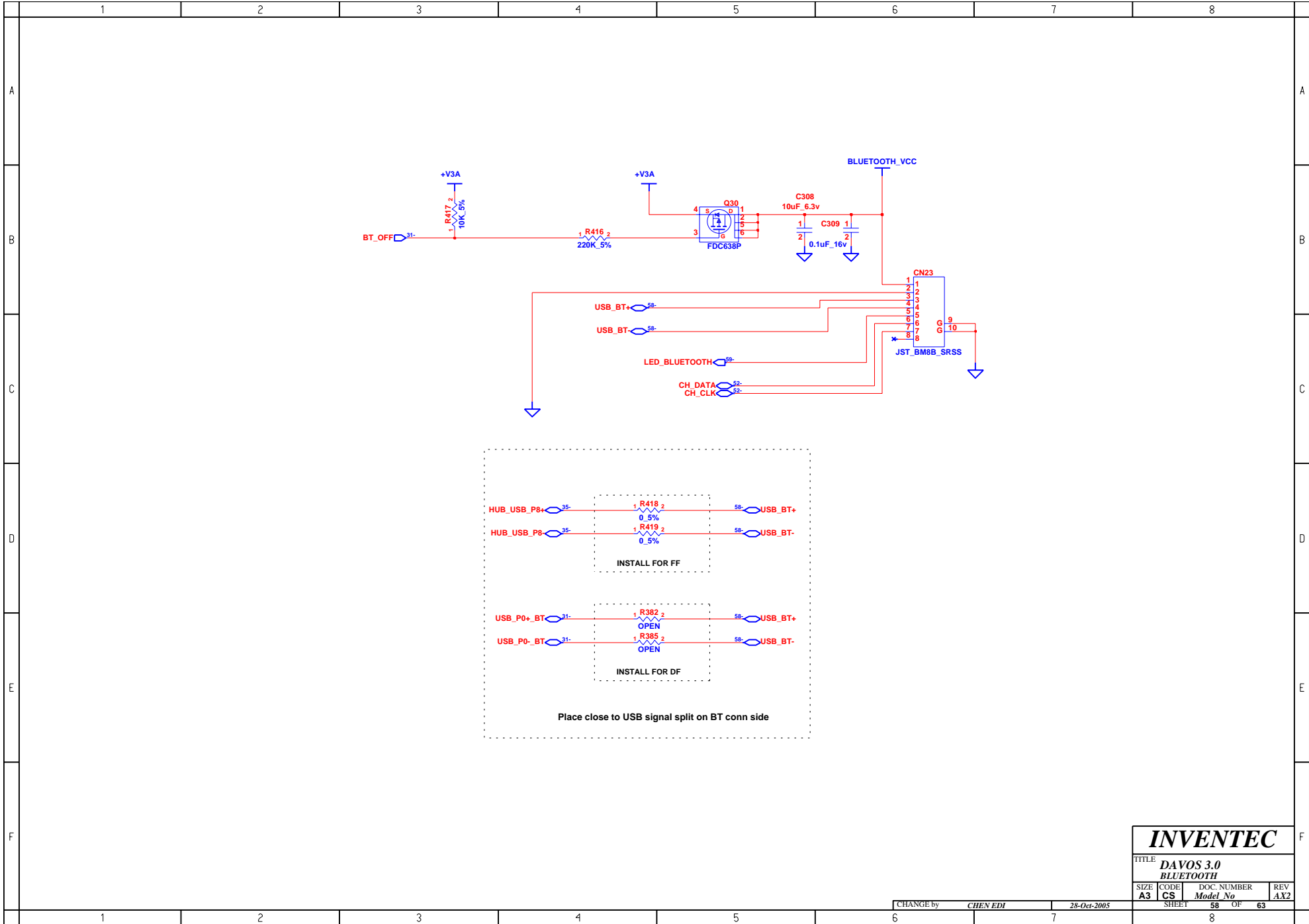
INVENTEC

TITLE
**DAVOS 3.0
 TPM V1.2**

SIZE A3	CODE CS	DOC. NUMBER <i>Model No</i>	REV AX2
-------------------	-------------------	--------------------------------	-------------------

CHANGE by *CHEN EDI* 16-Dec-2005

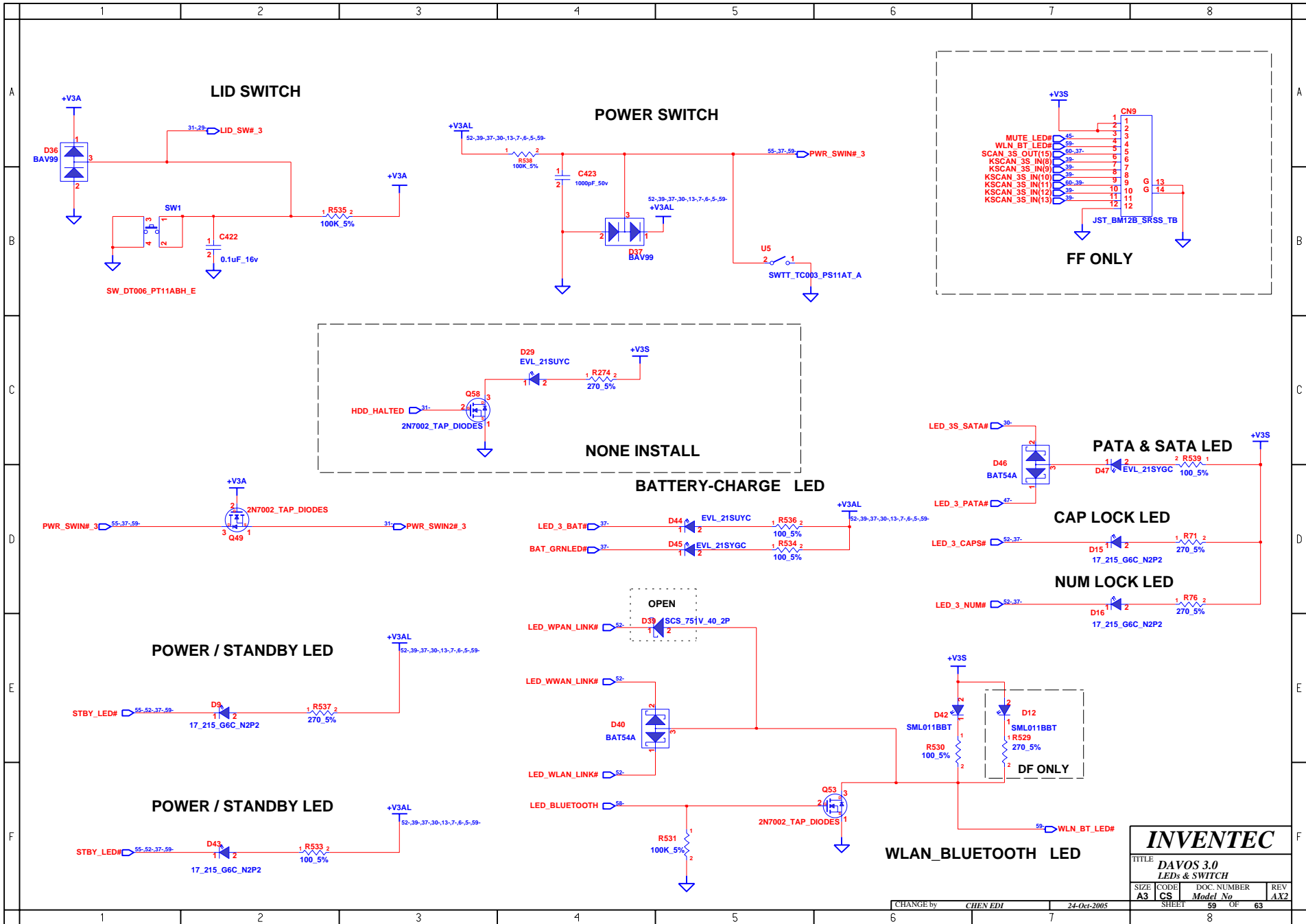
SHEET 57 OF 63



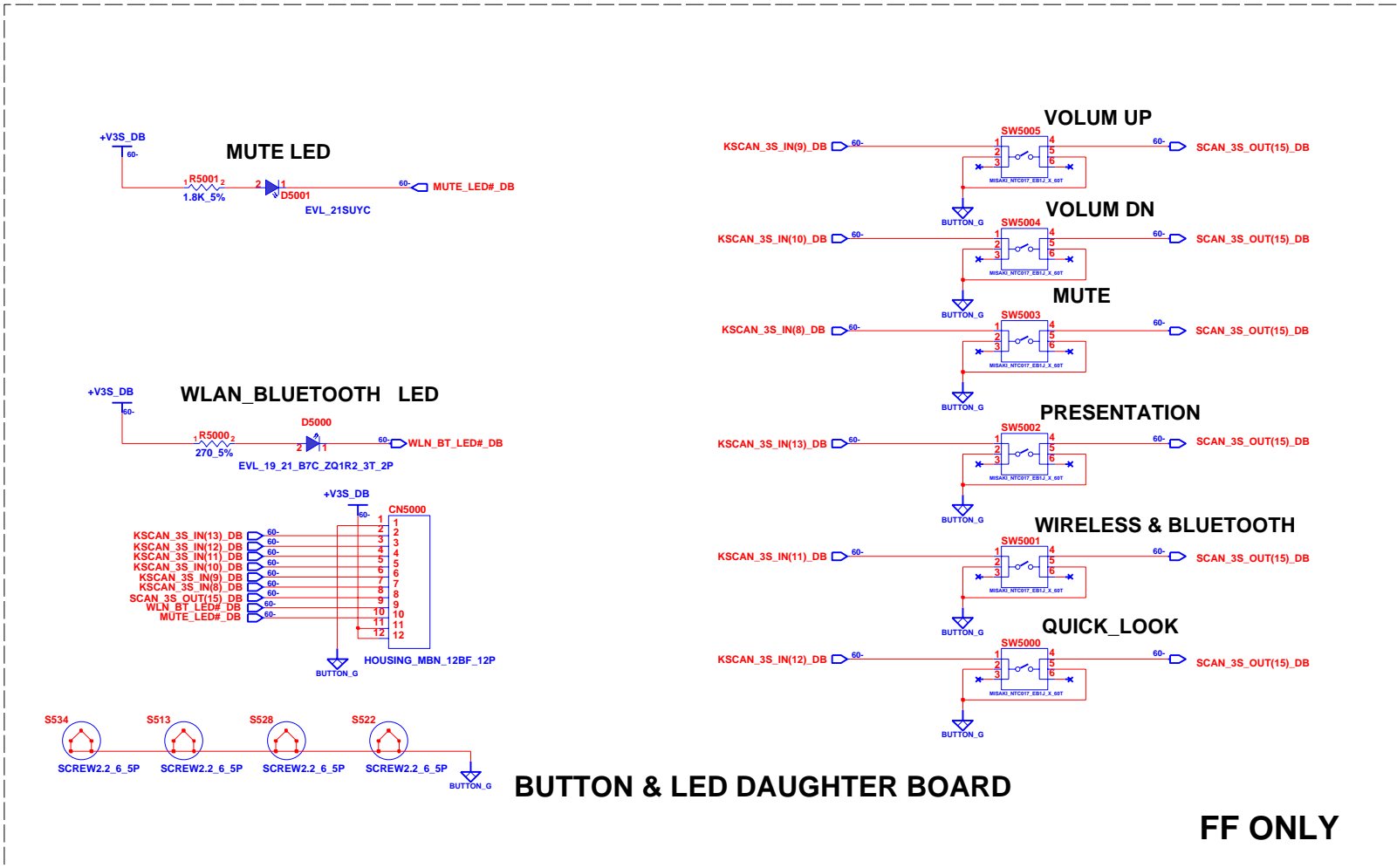
INVENTEC

TITLE
**DAVOS 3.0
 BLUETOOTH**

SIZE A3	CODE CS	DOC. NUMBER <i>Model No</i>	REV AX2
-------------------	-------------------	--------------------------------	-------------------

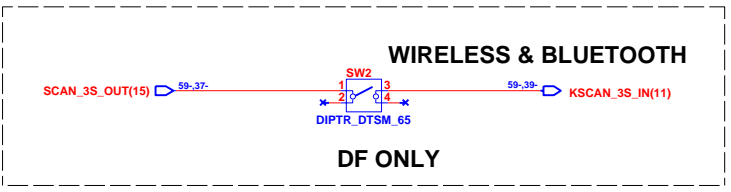


INVENTEC			
TITLE DAVOS 3.0			
LEDS & SWITCH			
SIZE	CODE	DOC. NUMBER	REV
A3	CS	Model No	AX2
CHANGE by		CHEN EDI	24-Oct-2005
SHEET		59	OF 63

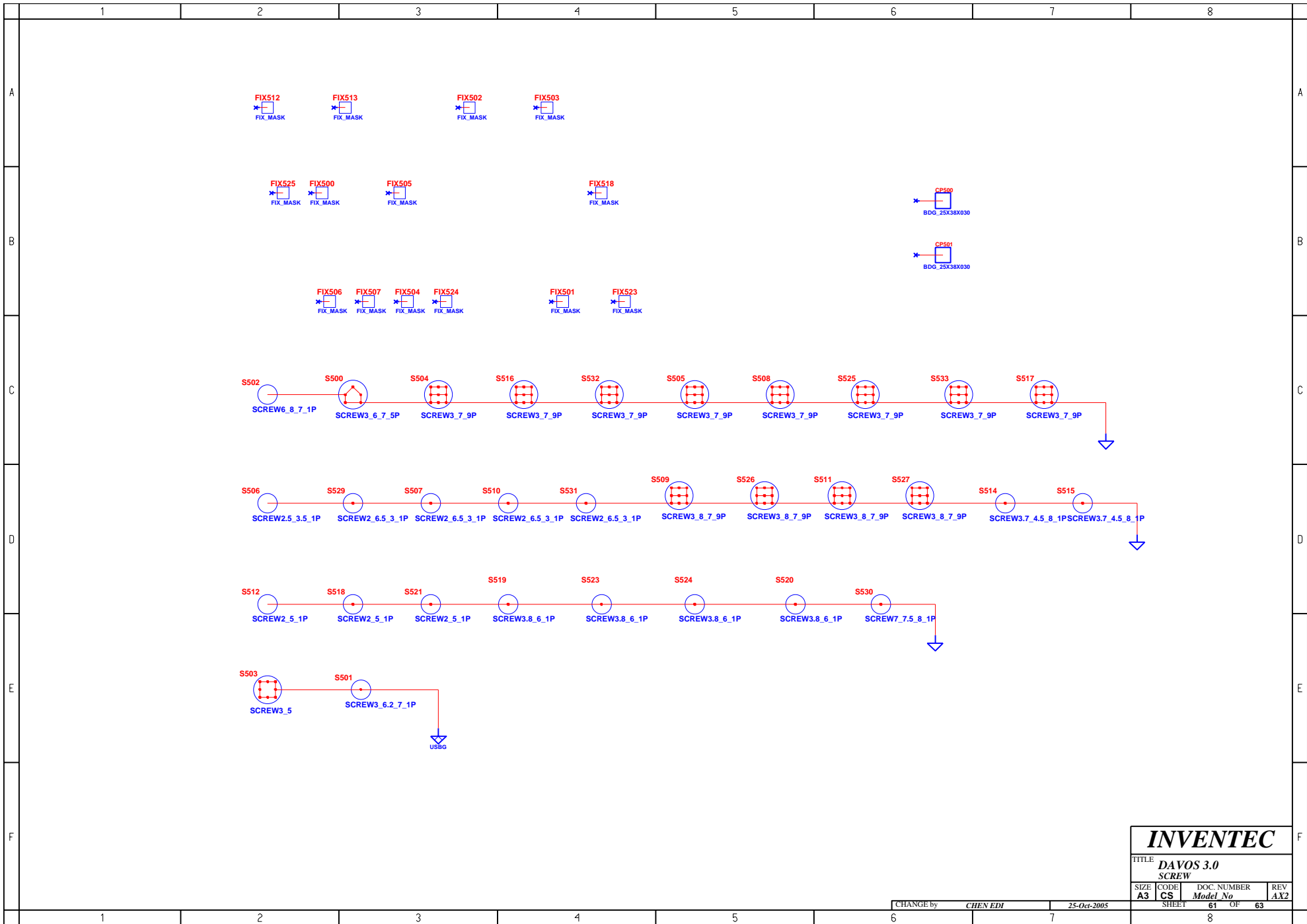


BUTTON & LED DAUGHTER BOARD

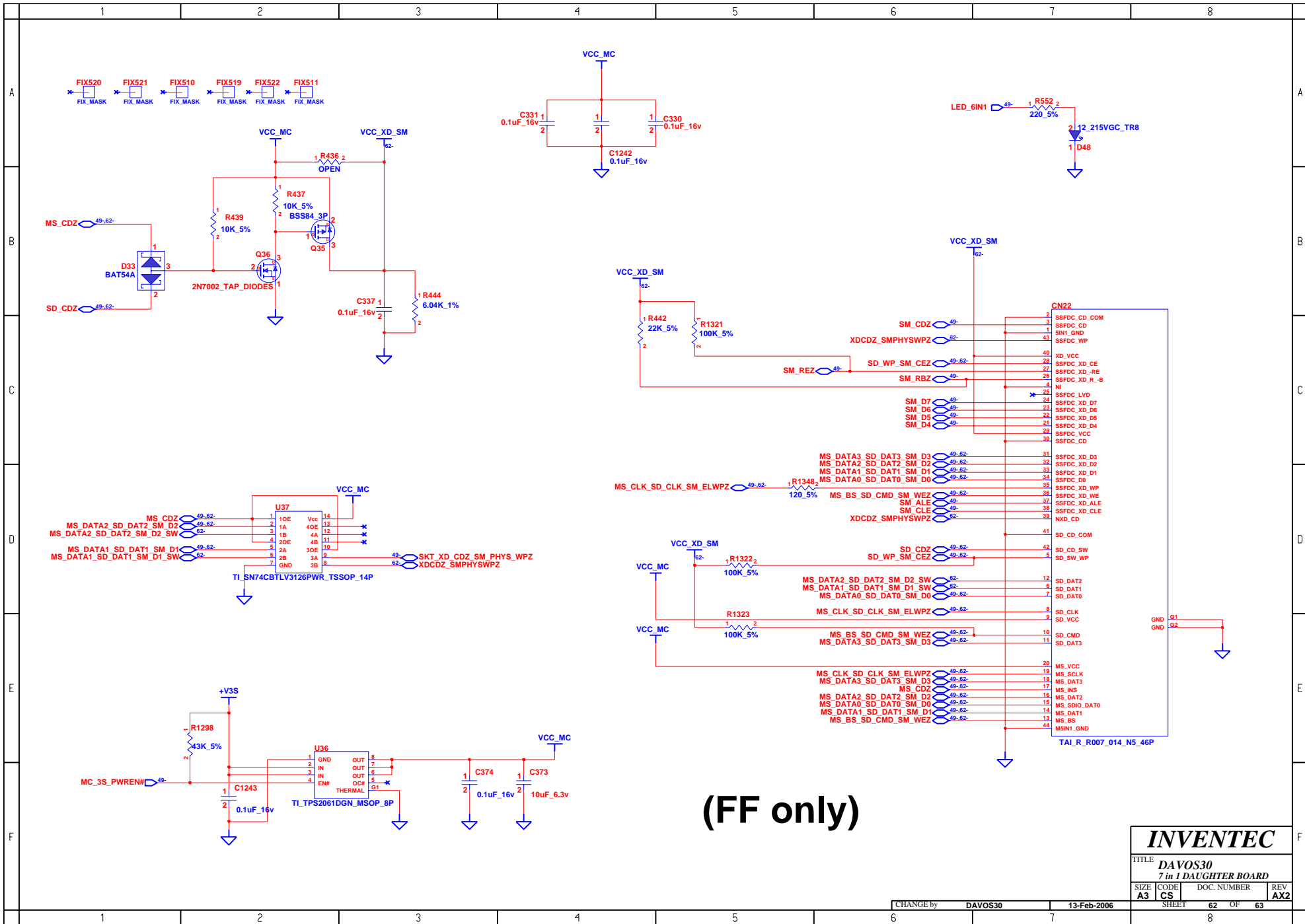
FF ONLY



INVENTEC			
TITLE DAVOS 3.0 LED BOARD / CNN			
SIZE A3	CODE CS	DOC. NUMBER Model No	REV AX2
CHANGE by CHEN EDI		23-Dec-2005	SHEET 60 OF 63



INVENTEC			
TITLE DAVOS 3.0			
SCREW			
SIZE A3	CODE CS	DOC. NUMBER <i>Model No</i>	REV AX2
CHANGE by <i>CHEN EDI</i>		25-Oct-2005	
SHEET		61	OF 63



INVENTEC			
TITLE DAVOS30 7 in 1 DAUGHTER BOARD			
SIZE A3	CODE CS	DOC. NUMBER 62 OF 63	REV AX2

LCD CABLE

1	1		1	1
2	2	+V3S	2	2
3	3		3	3
4	4	+V3S	4	4
5	5		5	5
6	6	+V3S	6	6
7	7		7	7
8	8	LCM DDCPCLK	8	8
9	9		9	9
10	10	LCM DDCPDATA	10	10
11	11	LVDS TXD0-	11	11
12	12	LVDS TXD0+	12	12
13	13	LVDS TXDL1-	13	13
14	14	LVDS TXDL1+	14	14
15	15	LVDS TXDL2-	15	15
16	16	LVDS TXDL2+	16	16
17	17	LVDS TXCL-	17	17
18	18	LVDS TXCL+	18	18
19	19	GND	19	19
20	20	GND	20	20
21	21	LVDS TXDU0-	21	21
22	22	LVDS TXDU0+	22	22
23	23	LVDS TXDU1-	23	23
24	24	LVDS TXDU1+	24	24
25	25	LVDS TXDU2-	25	25
26	26	LVDS TXDU2+	26	26
27	27	LVDS TXCU+	27	27
28	28	LVDS TXCU-	28	28
29	29	GND	29	29
30	30	GND	30	30
31	31		31	31
32	32	ALS_EN	32	32
33	33		33	33
34	34	+V5A	34	34
35	35	+V5A	35	35
36	36	INV_PWM3	36	36
37	37	+V3S	37	37
38	38	GND	38	38
39	39	GND	39	39
40	40	GND	40	40

MIC CABLE

1	1	INT. MIC CN DB	1	1
2	2	GND	2	2

SPEAKER CABLE

1	1	SPK OUT L-	1	1
2	2	SPK OUT L+	2	2
3	3	SPK OUT R-	3	3
4	4	SPK OUT R+	4	4

BLUETOOTH CABLE

1	1	BLUETOOTH_VCC	1	1
2	2	GND	2	2
3	3	USB_P5+	3	3
4	4	USB_P5-	4	4
5	5	LED_BLUETOOTH	5	5
6	6	CH_DATA	6	6
7	7	CH_CLK	7	7
8	8		8	8

keyboard

1	1		1	1
2	2		2	2
3	3	SCAN_3S_OUT(9)	3	3
4	4		4	4
5	5	KSCAN_3S_IN(9)	5	5
6	6	KSCAN_3S_IN(11)	6	6
7	7	KSCAN_3S_IN(13)	7	7
8	8	SCAN_3S_IN(7)	8	8
9	9	KSCAN_3S_IN(6)	9	9
10	10	KSCAN_3S_IN(5)	10	10
11	11	SCAN_3S_OUT(1)	11	11
12	12	SCAN_3S_OUT(10)	12	12
13	13	SCAN_3S_OUT(6)	13	13
14	14	SCAN_3S_OUT(7)	14	14
15	15	SCAN_3S_OUT(4)	15	15
16	16	SCAN_3S_OUT(8)	16	16
17	17	SCAN_3S_OUT(3)	17	17
18	18	KSCAN_3S_IN(3)	18	18
19	19	KSCAN_3S_IN(1)	19	19
20	20	KSCAN_3S_IN(2)	20	20
21	21	KSCAN_3S_IN(4)	21	21
22	22	KSCAN_3S_IN(0)	22	22
23	23	KSCAN_3S_IN(10)	23	23
24	24	KSCAN_3S_IN(12)	24	24
25	25	KSCAN_3S_IN(8)	25	25
26	26	KSCAN_3S_IN(14)	26	26
27	27	SCAN_3S_OUT(5)	27	27
28	28	SCAN_3S_OUT(2)	28	28
29	29	SCAN_3S_OUT(0)	29	29
30	30	SCAN_3S_OUT(11)	30	30

USB CABLE

1	1	+5A_USB	1	1
2	2	+5A_USB	2	2
3	3	+5A_USB	3	3
4	4	+5A_USB	4	4
5	5	USB_P1-	5	5
6	6	USB_P1+	6	6
7	7	USB_P0-	7	7
8	8	USB_P0+	8	8
9	9	GND	9	9
10	10	GND	10	10
11	11	GND	11	11
12	12	GND	12	12

AUDIO CABLE

1	1	PR_AOUTL_DB	1	1
2	2	AUDIO_VCC_DB	2	2
3	3	PR_AOUTR_DB	3	3
4	4	AUDIO_VREF_DB	4	4
5	5	A_HPL_DB	5	5
6	6	GND	6	6
7	7	A_HPR_DB	7	7
8	8	GND	8	8
9	9	A_MIC1_DB	9	9
10	10	GND	10	10
11	11	A_MIC2_DB	11	11
12	12	GND	12	12

SERIAL CABLE

1	1		1	1
2	2		2	2
3	3	RS232_R1IN	3	3
4	4	RS232_R2IN	4	4
5	5	RS232_R3IN	5	5
6	6	RS232_R4IN	6	6
7	7	RS232_R5IN	7	7
8	8	RS232_T1OUT	8	8
9	9	RS232_T2OUT	9	9
10	10	RS232_T3OUT	10	10
11	11	GND	11	11
12	12	GND	12	12

SW/B CABLE

1	1	+V3A	1	1
2	2	+V3A	2	2
3	3	PWR_SWIN#_3	3	3
4	4	SCAN_3S_OUT(15)	4	4
5	5	KSCAN_3S_IN(8)	5	5
6	6	KSCAN_3S_IN(9)	6	6
7	7	KSCAN_3S_IN(10)	7	7
8	8	KSCAN_3S_IN(11)	8	8
9	9	KSCAN_3S_IN(12)	9	9
10	10	KSCAN_3S_IN(13)	10	10
11	11	LED_3_NUM#	11	11
12	12	A_EAPD	12	12
13	13	LED_3_PWR#	13	13
14	14	STANDBY_SW#	14	14
15	15	SLP_S3_SR	15	15
16	16	QUICK_LOCK#	16	16
17	17	WLT_BT_LED#	17	17
18	18	GND	18	18
19	19	GND	19	19
20	20	GND	20	20

TOUCHPAD CABLE

1	1	+VSS	1	1
2	2	+VSS	2	2
3	3	IM_SS_DATA	3	3
4	4	IM_SS_CLK	4	4
5	5	GND	5	5
6	6	GND	6	6
7	7		7	7
8	8		8	8
9	9		9	9
10	10		10	10
11	11		11	11
12	12		12	12

POINT STICK

1	1	+VSS	1	1
2	2		2	2
3	3	GND	3	3
4	4		4	4
5	5		5	5
6	6		6	6
7	7		7	7
8	8		8	8

INVENTEC

TITLE
DAVOS 3.0
CABLE

SIZE	CODE	DOC. NUMBER	REV
A3	CS	Model No	AX2