

SHEET TITLE

01	COVER SHEET
02	BLOCK DIAGRAM
03	BOM & PCB MODIFY HISTORY
04	P4 LGA775 A
05	P4 LGA775 B
06	P4 LGA775 C
07	P4 LGA775 D,E,F,G
08	GMCH-LAKEPORT HOST
09	GMCH-LAKEPORT DDRII
10	GMCH-LAKEPORT PCI E, DMI
11	GMCH-LAKEPORT INT VGA
12	GMCH-LAKEPORT GND
13	GMCH-LAKEPORT PWR
14	DDRII CHANNEL A 1
15	DDRII CHANNEL B 2
16	DDRII TERMINATION
17	PCI EXPRESS*16 SLOT
18	ICH7 PCI, USB, DMI, LAN
19	ICH7 IDE, GPIO, SATA, CTRL
20	ICH7 VCC, GND
21	GB/CK505-OC CLOCK.
22	PCI SLOT 1,2,PCIEX1
23	IDE/FLOPPY
24	ITE 8718 GBIX
25	COM LPT
26	BIOS, CI, HWM, KB/MS
27	AZALIA ALC662

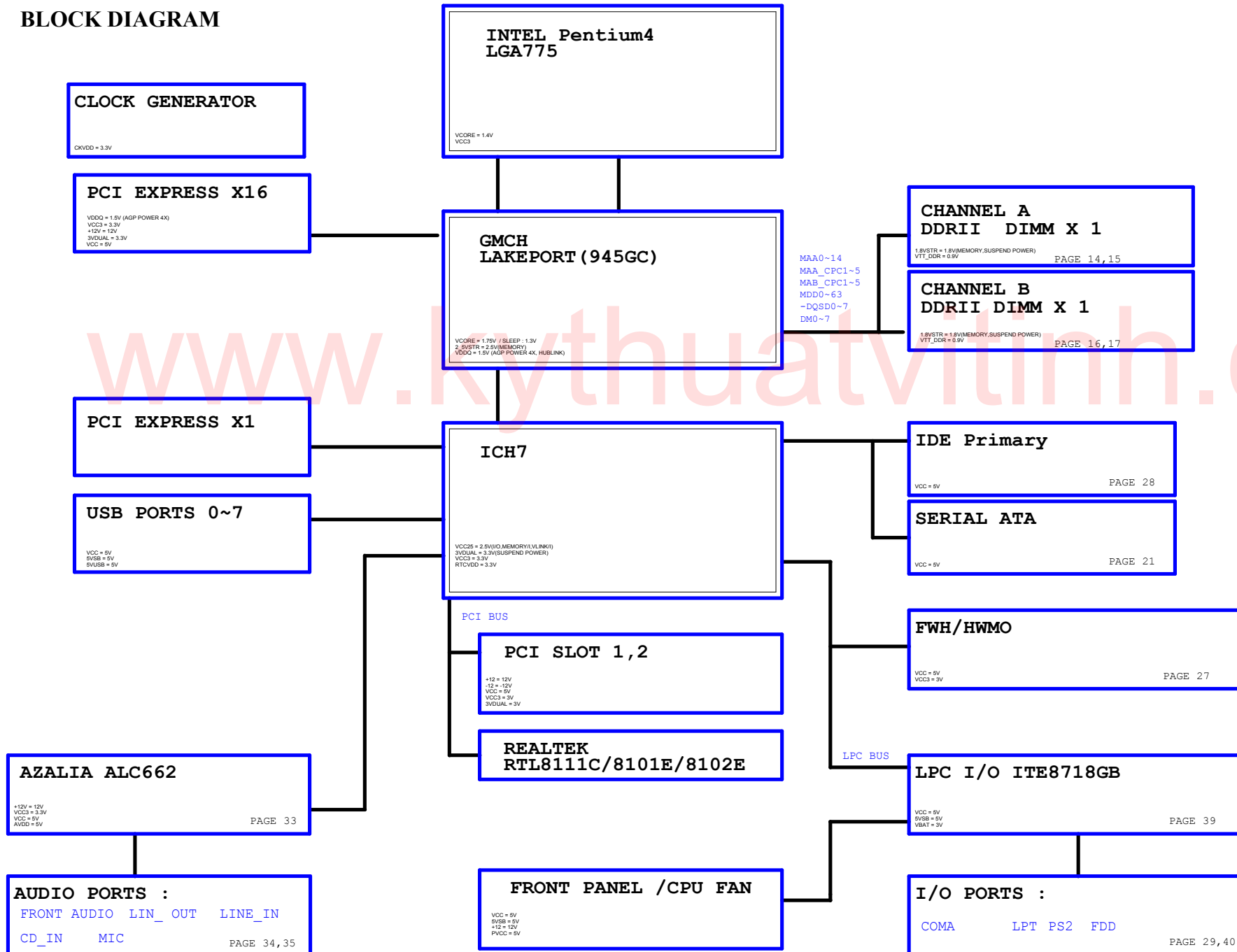
SHEET TITLE

28	REAR AUDIO JACK
29	DISCRETE POWER
30	VCORE PWM ISL6312
31	ATX, OTHERS POWER
32	REALTEK RTL8111C/8101E/8102E
33	FRONT PANEL

Gigabyte Technology

Title		
Cover Sheet		
Size	Document Number	Rev
Custom	945GCM-S2C	1.02
Date:	Tuesday, October 02, 2007	Sheet 1 of 33

BLOCK DIAGRAM



Model Name: 945GCM-S2C

Version: 1.02

Circuit or PCB layout change for next version

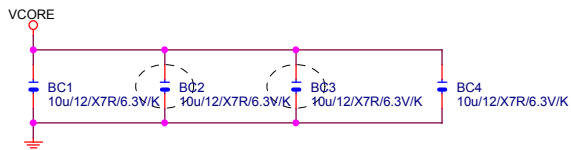
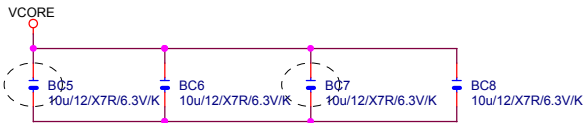
Component value change history

2007/09/28

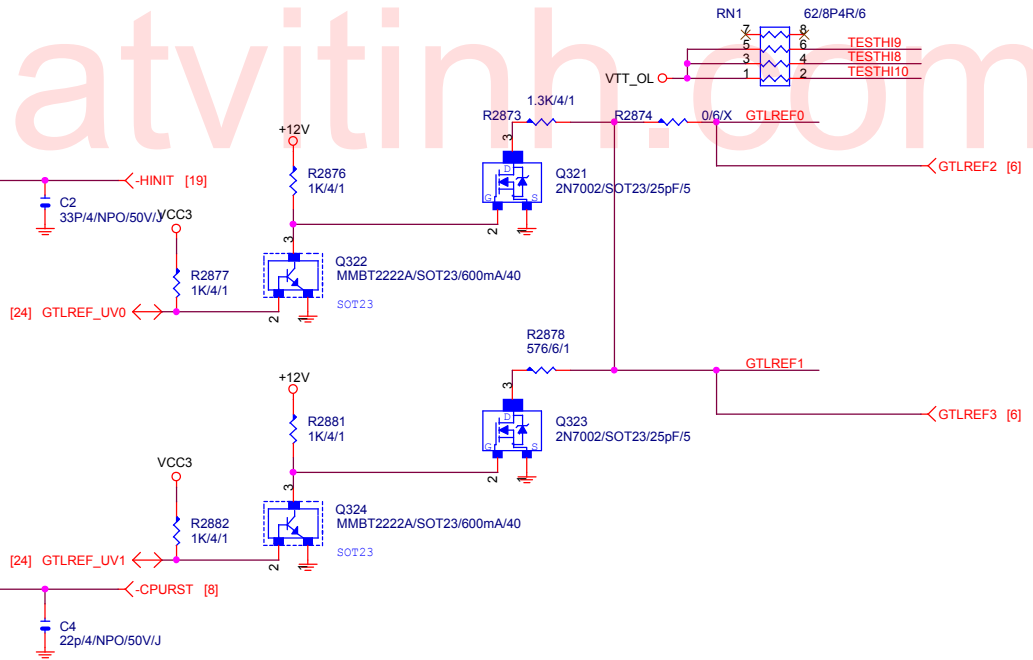
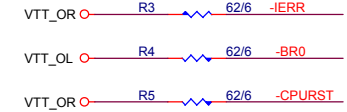
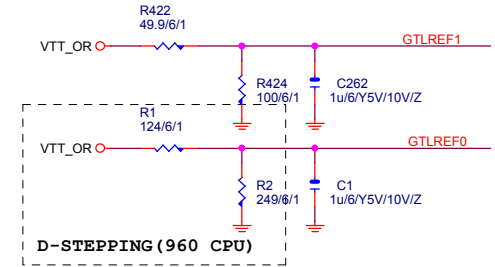
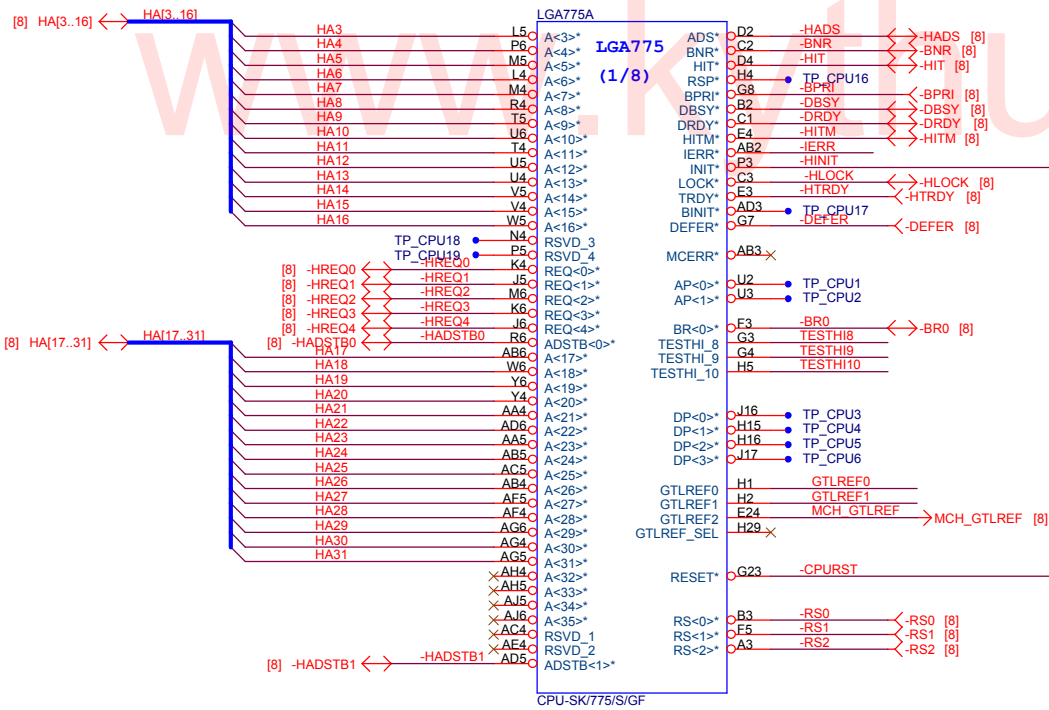
Data	Change Item	Reason
2007/06/20	COMA+LPT PORT	
2007/07/23	LAN RTL8111C/8101E/8102E CO-LAYOUT	
2007/07/25	RN150 VCC3 LOADING	FIX PWR AcBel (ATX-400C-A2ADB)
2007/08/16	FIX POWER ISSUE/LAN RTL8101E	
	R1.02:VIN 470UX3 (FP)+RTL8111C OC GPIO65	PBOM:9M945CM2C-00-10B
2007/09/28	FIX POWER SEQUENCE ISSUE	PBOM:9M945CM2C-00-10C

DATE	Change Item	Reason

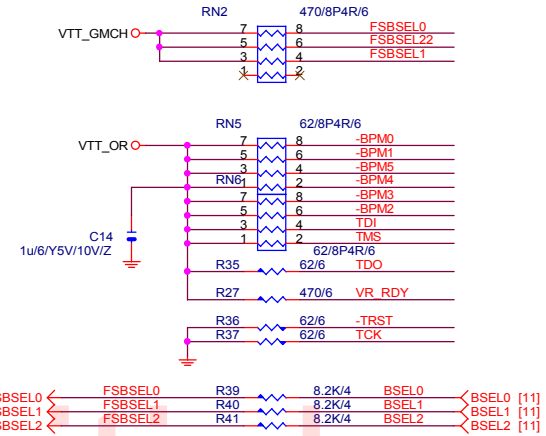
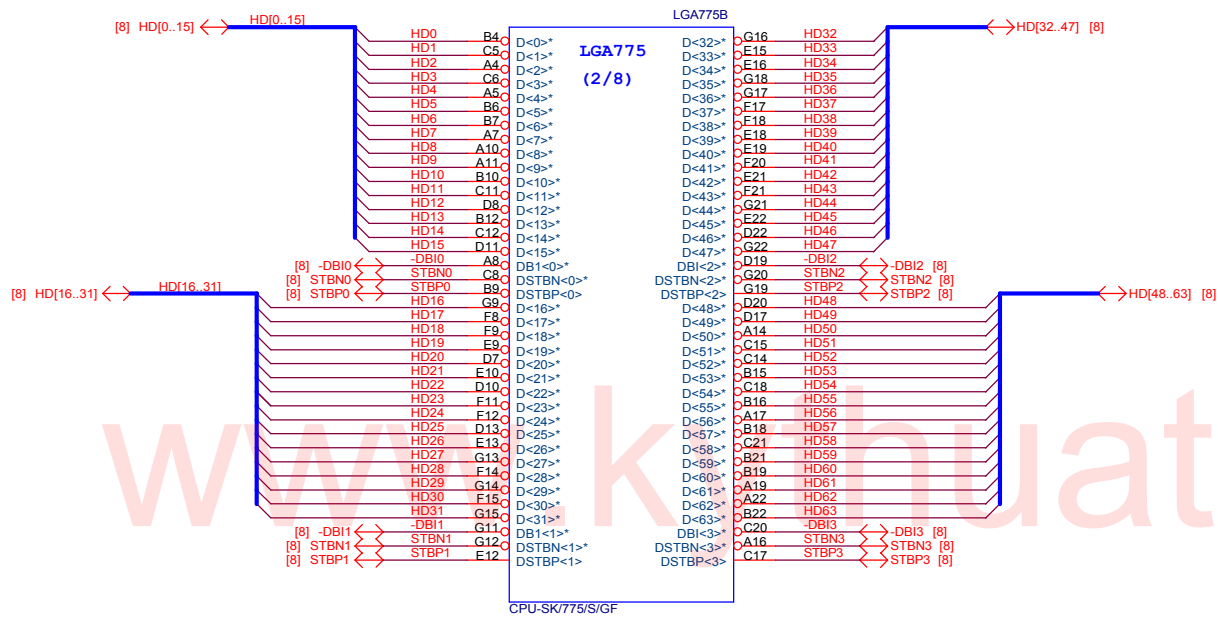
Gigabyte Technology



footprint: LGA775-3A9



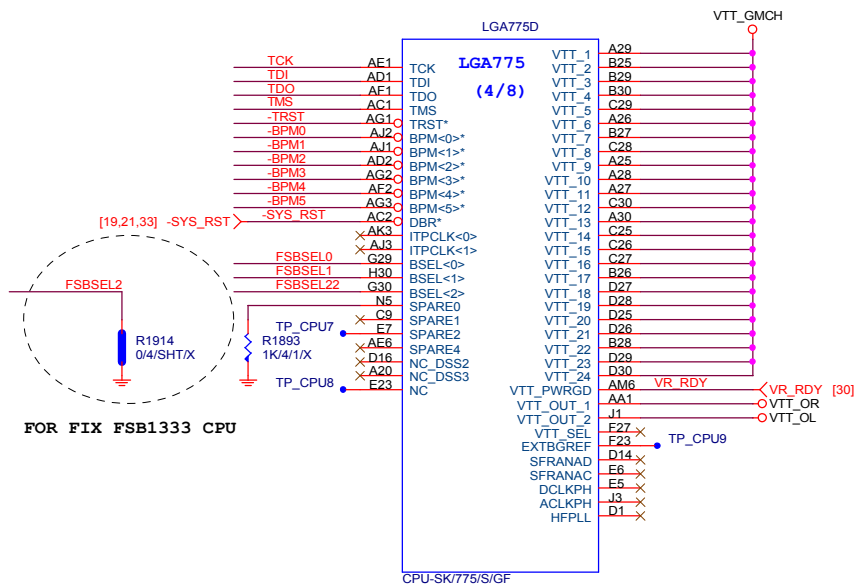
Gigabyte Technology			
Title			
P4_LGA775-A			
Size	Document Number	Rev	
B	945GCM-S2C	1.02	
Date:	Tuesday, October 02, 2007	Sheet	4 of 33



CPU

NA	FSB	FSA	Clock
FSBSEL3 = 1	FSBSEL1 = 0	FSBSEL0 = 1	100MHz
FSBSEL3 = 0	FSBSEL1 = 0	FSBSEL0 = 1	133MHz
FSBSEL3 = 0	FSBSEL1 = 1	FSBSEL0 = 1	166MHz
FSBSEL3 = 0	FSBSEL1 = 1	FSBSEL0 = 0	200MHz
FSBSEL3 = 0	FSBSEL1 = 0	FSBSEL0 = 0	266MHz

X

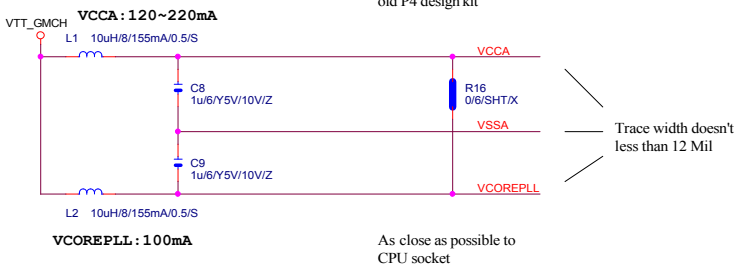


FOR FIX FSB1333 CPU

Gigabyte Technology

Title		P4_LGA775-B,D	
Size	Document Number	945GCM-S2C	
Custom	Date:	Tuesday, October 02, 2007	Sheet 5 of 33
			Rev 1.02

Note:
VCCA & VCOREPLL
define doesn't same as
old P4 design kit



Trace width doesn't
less than 12 Mil

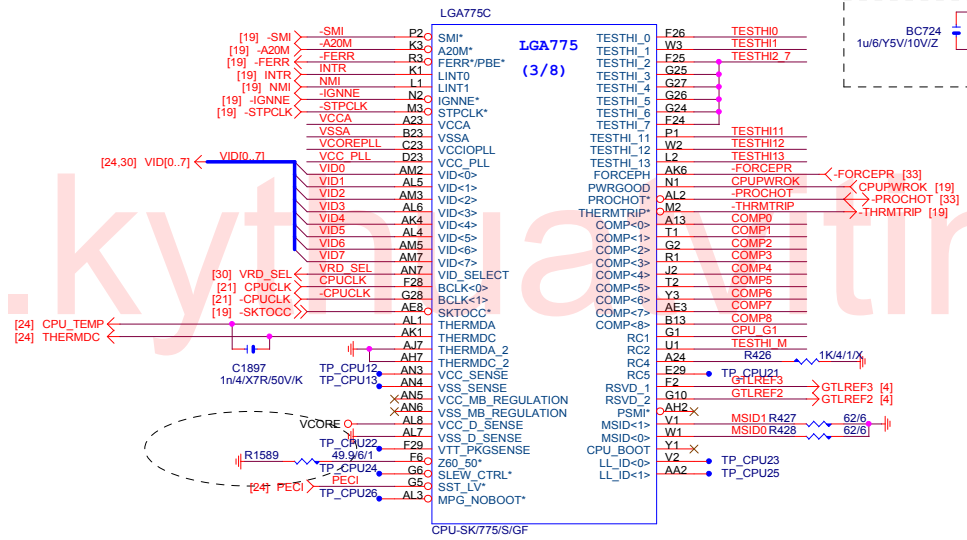
As close as possible to
CPU socket

CPU

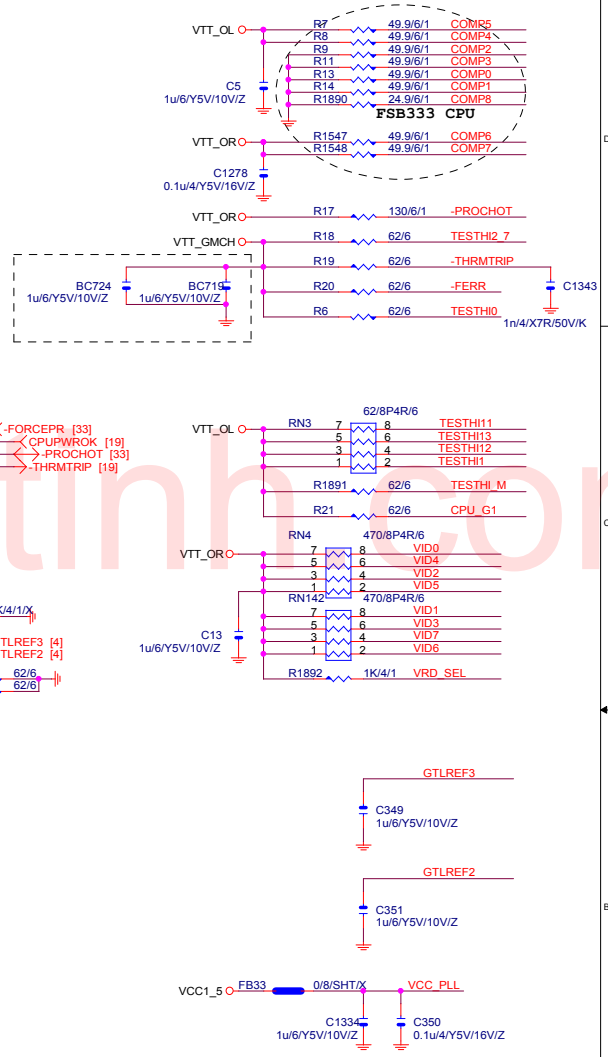
FSA	FSB	NA	Clock		
FSBSEL0	FSBSEL1	FSBSEL3			
1	0	1	100MHz	X	
1	0	0	133MHz		
1	1	0	166MHz	RATIO	
0	1	0	200MHz		2.66/3.33
0	0	0	266MHz		2.00/2.5

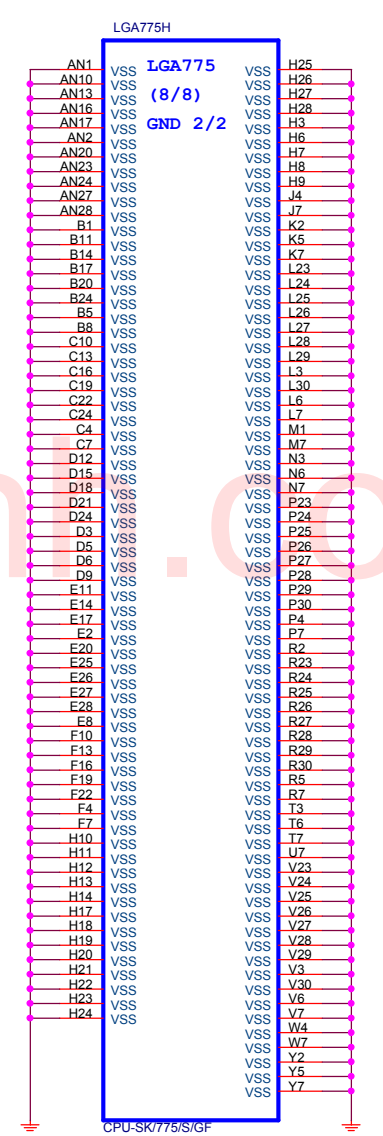
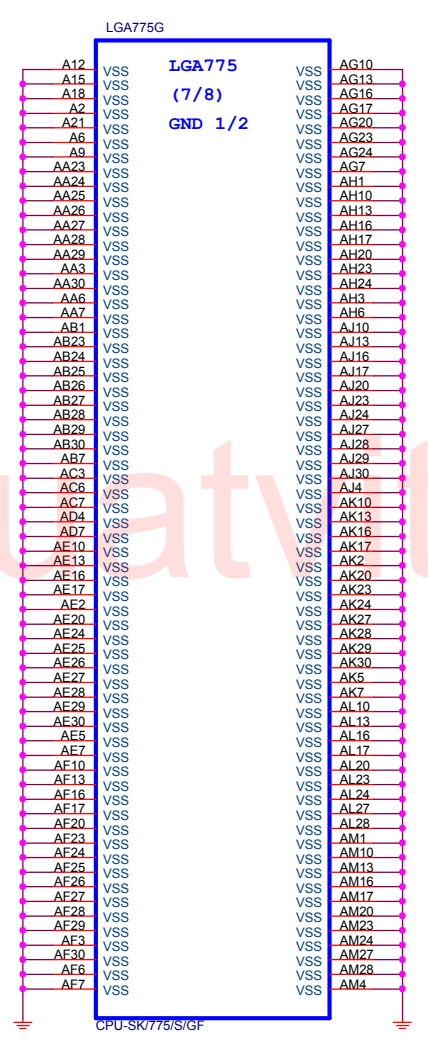
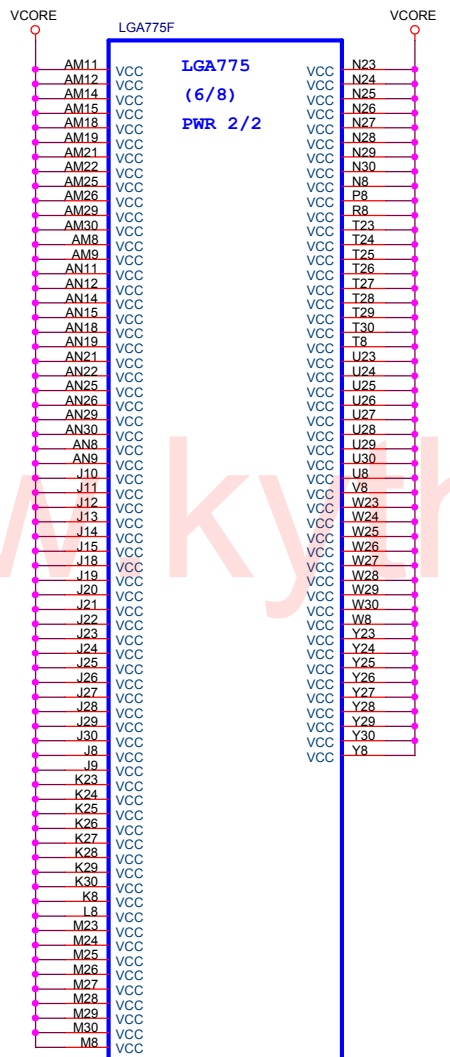
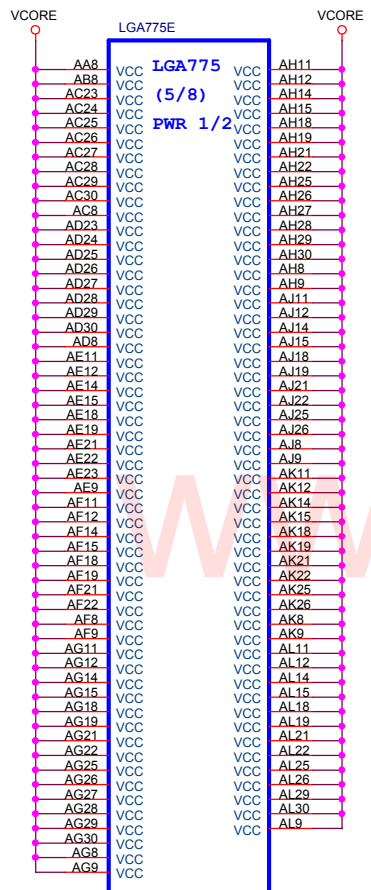
945 Design Guide rev1.5 spec.
VCCA=120~220mA
公板為125mA

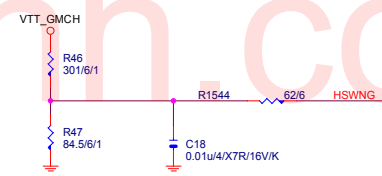
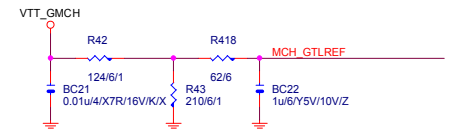
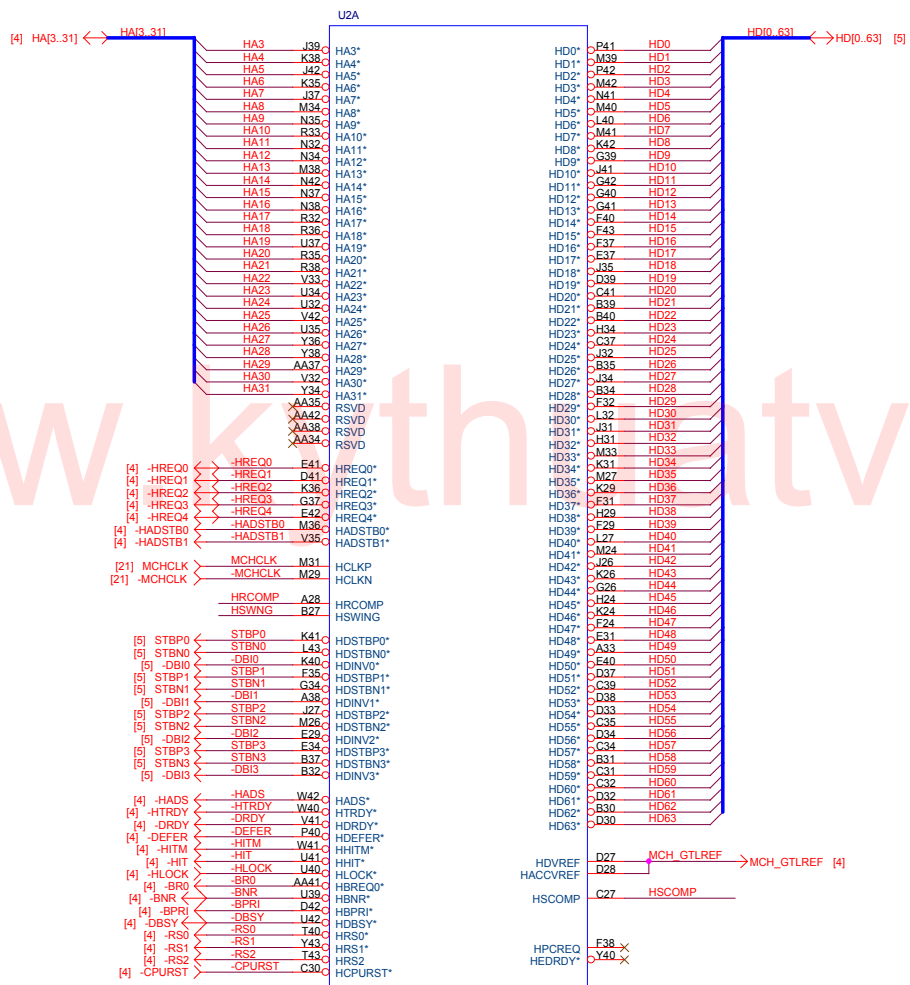
10LI2-12100A-13=INDUCTOR 10uH 300mA TAI-TECH
10LI2-12100A-02=INDUCTOR 10uH 155mA TAIYO
10LI2-12100A-01=INDUCTOR 10uH 120mA TDK



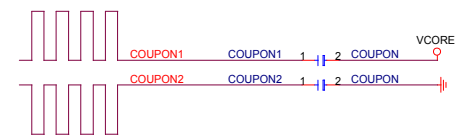
Place outside of CPU socket
FIX D-STEP 925 CPU 49.9/6/1



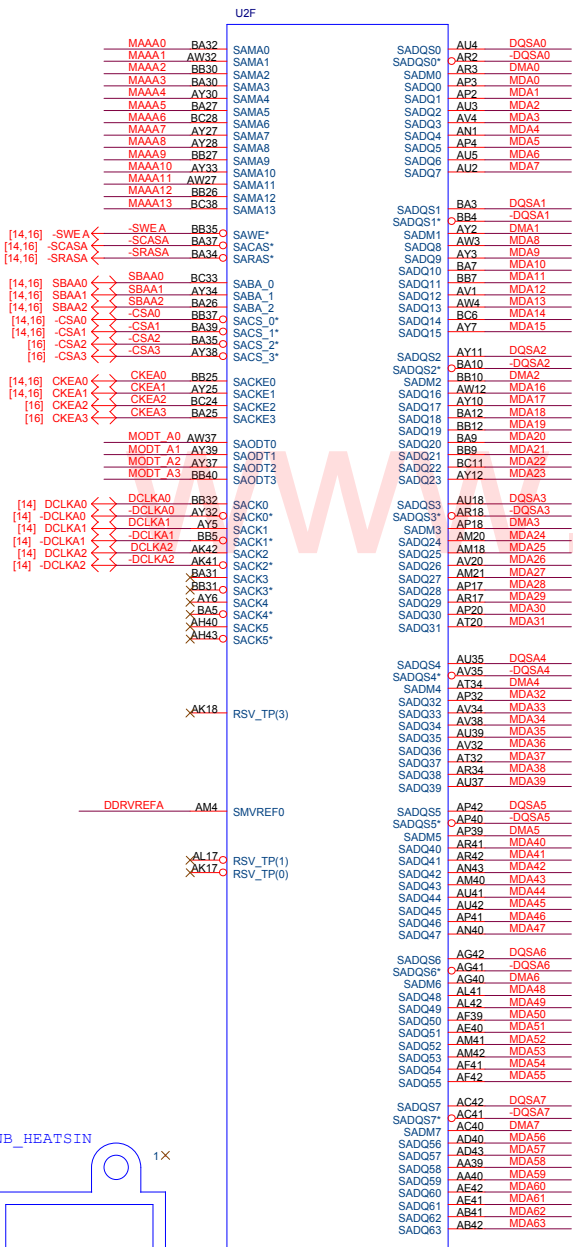




945GC-A2/BGA1202/FSB1066/[10HB1-033000-81R]
Pb-Free

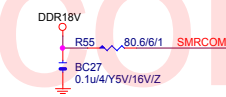
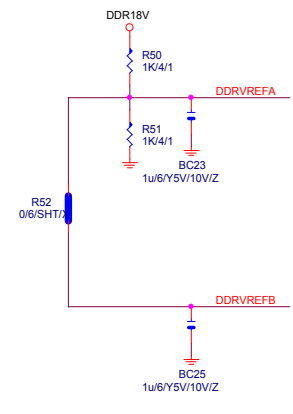


Gigabyte Technology			
Title GMCH-HOST			
Size Custom	Document Number 945GCM-S2C	Rev 1.02	
Date: Tuesday, October 02, 2007	Sheet 8	of 33	

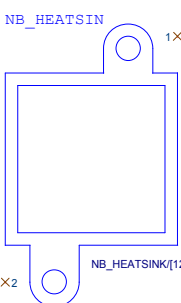


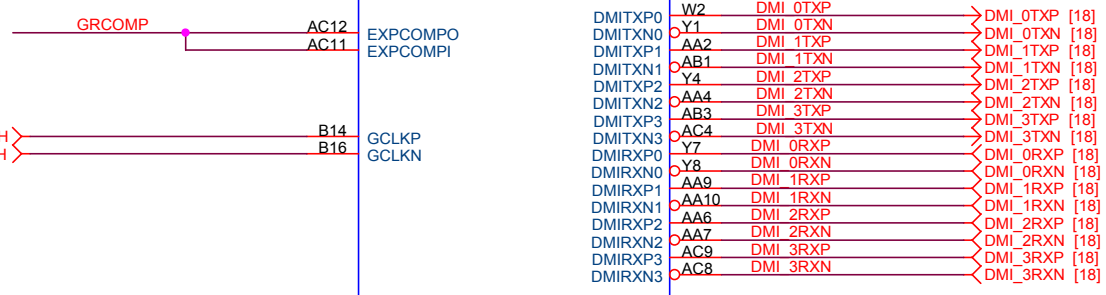
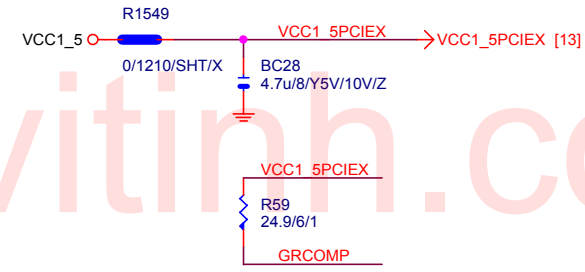
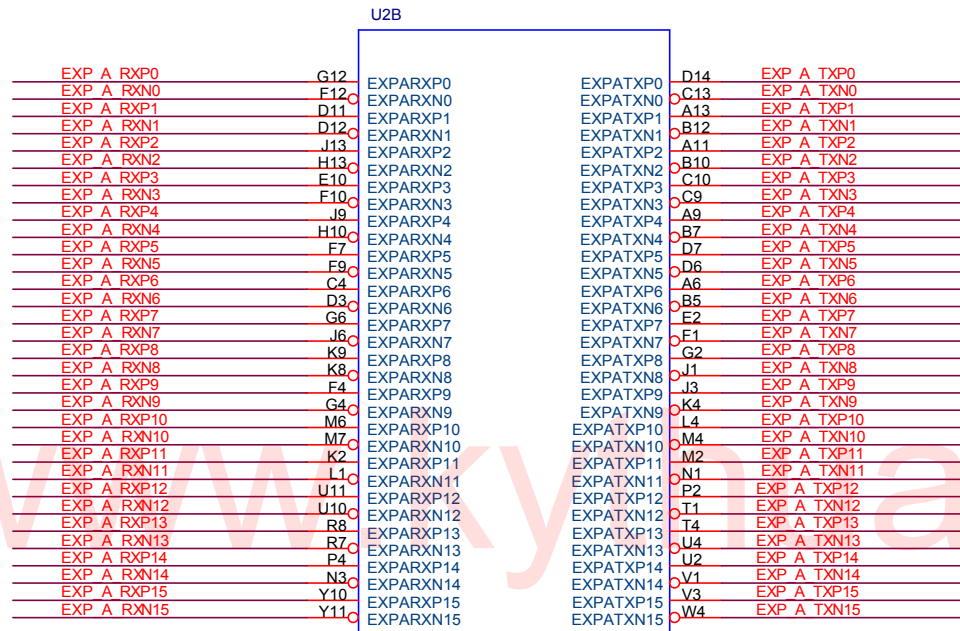
945GC-A2/BGA1202/FSB1066(10HB1-033000-81R)

945GC-A2/BGA1202/FSB1066(10HB1-033000-81R)

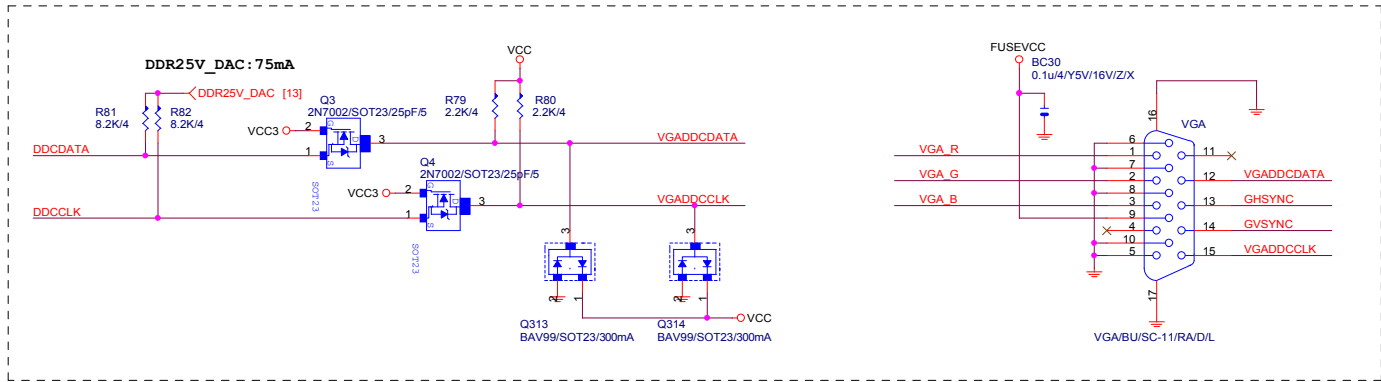
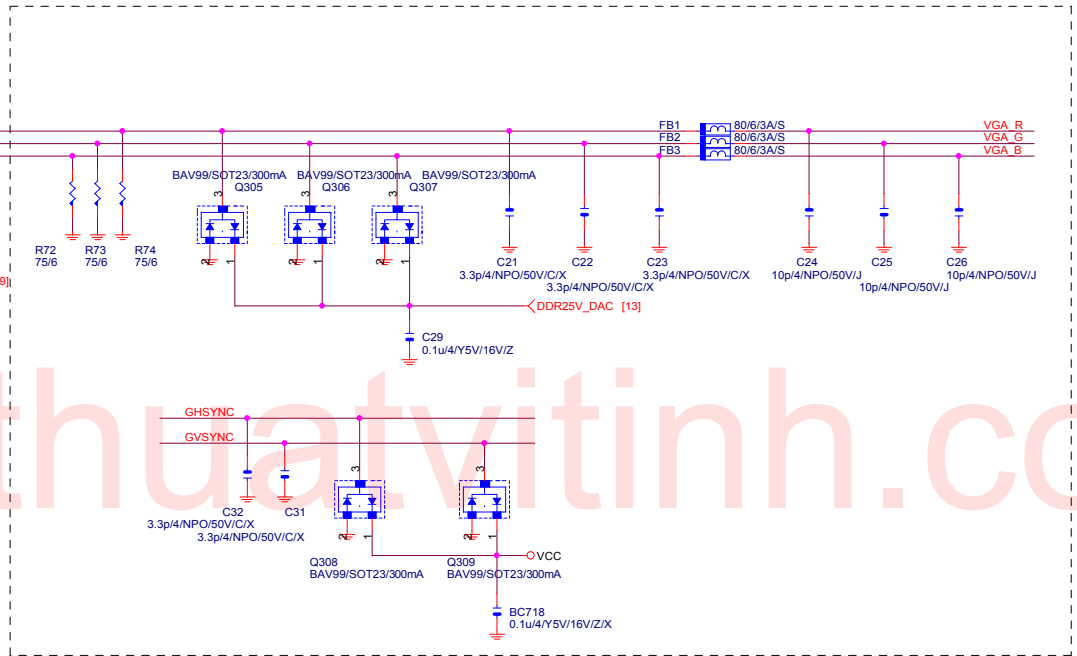
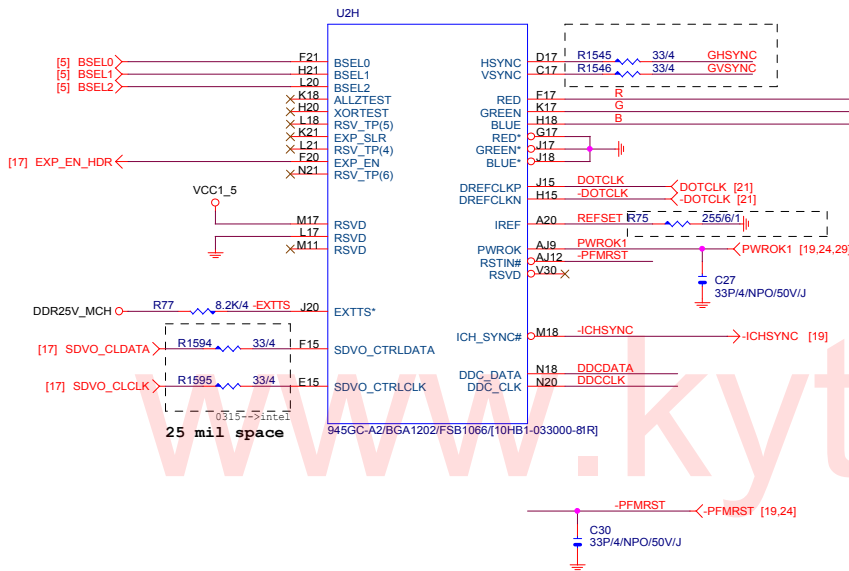


- [15] -DQSB[0..7] ↔ -DQSB0_7I
- [15,16] MAAB[0..13] ↔ MAAB0_13I
- [15] DMB[0..7] ↔ DMB0_7I
- [15] MDB[0..63] ↔ MDB0_63I
- [15] DQSB[0..7] ↔ DQSB0_7I
- [14,16] MAAA[0..13] ↔ MAAA0_13I
- [14] DMA[0..7] ↔ DMA0_7I
- [14] MDA[0..63] ↔ MDA0_63I
- [14] DQSA[0..7] ↔ DQSA0_7I
- [14] -DQSA[0..7] ↔ -DQSA0_7I





945GC-A2/BGA1202/FSB1066/[10HB1-033000-81R]



U2C

A4	VSS	N2	VSS
A16	VSS	N6	VSS
A22	VSS	N8	VSS
A26	VSS	N13	VSS
A31	VSS	N15	VSS
A35	VSS	N24	VSS
B4	VSS	N26	VSS
B6	VSS	N27	VSS
B9	VSS	N29	VSS
B11	VSS	N31	VSS
B13	VSS	N36	VSS
B21	VSS	N39	VSS
B22	VSS	N43	VSS
B28	VSS	P3	VSS
B33	VSS	P14	VSS
B38	VSS	P15	VSS
C3	VSS	P24	VSS
C5	VSS	P26	VSS
C7	VSS	P27	VSS
C12	VSS	P29	VSS
C14	VSS	P30	VSS
C22	VSS	R6	VSS
C40	VSS	R9	VSS
D2	VSS	R12	VSS
D5	VSS	R14	VSS
D10	VSS	R30	VSS
D16	VSS	R31	VSS
D20	VSS	R34	VSS
D21	VSS	R37	VSS
E4	VSS	R39	VSS
E7	VSS	T2	VSS
E9	VSS	T2	VSS
F12	VSS	U3	VSS
F13	VSS	U5	VSS
F17	VSS	U9	VSS
F18	VSS	U12	VSS
F20	VSS	U14	VSS
F21	VSS	U31	VSS
F32	VSS	U33	VSS
F2	VSS	U36	VSS
F6	VSS	U38	VSS
F8	VSS	V2	VSS
F18	VSS	V8	VSS
F26	VSS	V11	VSS
F34	VSS	V12	VSS
F42	VSS	V14	VSS
G3	VSS	V24	VSS
G5	VSS	V36	VSS
G7	VSS	V37	VSS
G9	VSS	V38	VSS
G10	VSS	V39	VSS
G13	VSS	V43	VSS
G15	VSS	W3	VSS
G18	VSS	Y2	VSS
G20	VSS	Y5	VSS
G21	VSS	Y6	VSS
G24	VSS	Y9	VSS
G27	VSS	Y12	VSS
G29	VSS	Y14	VSS
G31	VSS	Y31	VSS
G32	VSS	Y35	VSS
G35	VSS	Y37	VSS
G38	VSS	Y39	VSS
H12	VSS	Y42	VSS
H17	VSS	AA3	VSS
H26	VSS	AA8	VSS
H27	VSS	AA11	VSS
H32	VSS	AA12	VSS
J2	VSS	AA14	VSS
J5	VSS	AA21	VSS
J7	VSS	AA23	VSS
J10	VSS	AA31	VSS
J12	VSS	AA33	VSS
J21	VSS	AA36	VSS
J24	VSS	AB2	VSS
J29	VSS	AB43	VSS
J38	VSS	AC2	VSS
J43	VSS	AC3	VSS
K4	VSS	AC7	VSS
K5	VSS	AC10	VSS
K6	VSS	AC14	VSS
K7	VSS	AC21	VSS
K10	VSS	AC23	VSS
K12	VSS	AC31	VSS
K13	VSS	AC36	VSS
K15	VSS	AC37	VSS
K20	VSS	AC38	VSS
K27	VSS	AC39	VSS
K32	VSS		
K34	VSS		
K37	VSS		
K39	VSS		
L2	VSS		
L12	VSS		
L13	VSS		
L24	VSS		
L26	VSS		
L29	VSS		
L31	VSS		
L42	VSS		
M3	VSS		
M5	VSS		
M8	VSS		
M9	VSS		
M10	VSS		
M13	VSS		
M20	VSS		
M21	VSS		
M35	VSS		
M37	VSS		

945GC-A2/BGA1202/FSB1066[10HB1-033000-81R]

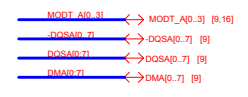
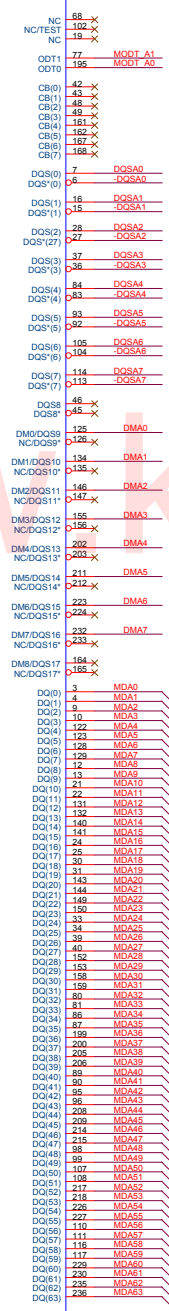
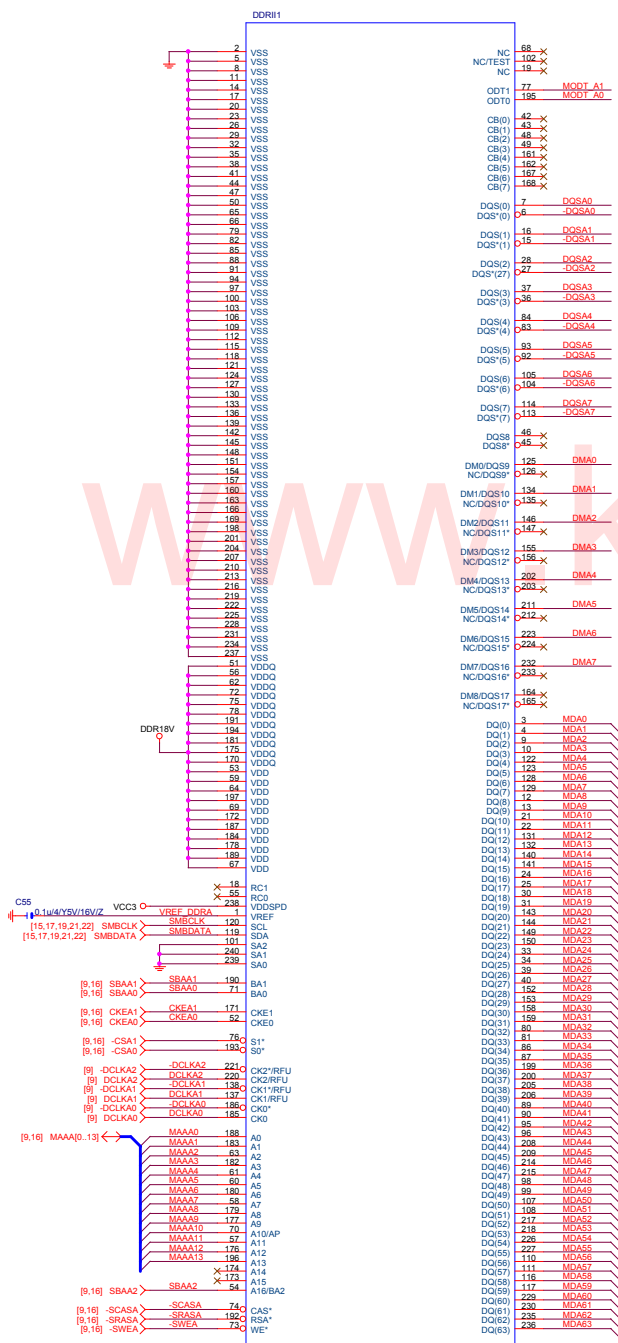
U2E

AD7	VSS	AD7	VSS
AD9	VSS	AD9	VSS
AD11	VSS	N8	VSS
AD13	VSS	N13	VSS
AD33	VSS	N15	VSS
N24	VSS	N24	VSS
AD37	VSS	N26	VSS
AD42	VSS	N27	VSS
AF1	VSS	N29	VSS
AF2	VSS	N31	VSS
N33	VSS	N33	VSS
AF5	VSS	N36	VSS
N39	VSS	N39	VSS
AF36	VSS	N43	VSS
AF38	VSS	P3	VSS
AF43	VSS	P14	VSS
P15	VSS	P15	VSS
AG31	VSS	P24	VSS
AG33	VSS	P26	VSS
AG36	VSS	P27	VSS
AG37	VSS	P29	VSS
AG38	VSS	P30	VSS
AG39	VSS	R6	VSS
AH42	VSS	R9	VSS
AJ7	VSS	R12	VSS
AJ10	VSS	R14	VSS
AJ30	VSS	R30	VSS
AJ31	VSS	R31	VSS
AJ33	VSS	R34	VSS
AJ35	VSS	R37	VSS
AJ37	VSS	R39	VSS
AK24	VSS	T2	VSS
AK26	VSS	T2	VSS
AK29	VSS	U3	VSS
AK30	VSS	U5	VSS
AL1	VSS	U9	VSS
AL3	VSS	U12	VSS
AL7	VSS	U14	VSS
AL10	VSS	U31	VSS
AL12	VSS	U33	VSS
AL13	VSS	U36	VSS
AL15	VSS	U38	VSS
AL18	VSS	V2	VSS
AL21	VSS	V8	VSS
AL23	VSS	V11	VSS
AL24	VSS	V12	VSS
AL27	VSS	V14	VSS
AL32	VSS	V24	VSS
AL33	VSS	V36	VSS
AL37	VSS	V37	VSS
AM3	VSS	V38	VSS
AM5	VSS	V39	VSS
AM7	VSS	V43	VSS
AM8	VSS	W3	VSS
AM33	VSS	Y2	VSS
AM36	VSS	Y5	VSS
AM37	VSS	Y6	VSS
AM39	VSS	Y9	VSS
AN2	VSS	Y12	VSS
AN4	VSS	Y14	VSS
AN13	VSS	Y31	VSS
AN15	VSS	Y35	VSS
AN17	VSS	Y37	VSS
AN18	VSS	Y39	VSS
AN20	VSS	Y42	VSS
AN21	VSS	AA3	VSS
AN23	VSS	AA8	VSS
AN24	VSS	AA11	VSS
AN26	VSS	AA12	VSS
AN27	VSS	AA14	VSS
AN31	VSS	AA21	VSS
AP5	VSS	AA23	VSS
AP7	VSS	AA31	VSS
AP10	VSS	AA33	VSS
AP12	VSS	AA36	VSS
AP29	VSS	AB2	VSS
AP34	VSS	AB43	VSS
AP38	VSS	AC2	VSS
AR1	VSS	AC3	VSS
AR6	VSS	AC7	VSS
AR15	VSS	AC10	VSS
AR20	VSS	AC14	VSS
AR23	VSS	AC21	VSS
AR24	VSS	AC23	VSS
AR32	VSS	AC31	VSS
AR37	VSS	AC36	VSS
AR39	VSS	AC37	VSS
AR43	VSS	AC38	VSS
AT12	VSS	AC39	VSS
AT17	VSS		
AT18	VSS		
AT21	VSS		
AT23	VSS		
AT26	VSS		
AT27	VSS		
AT31	VSS		
AU6	VSS		
AU9	VSS		
AU12	VSS		
AU13	VSS		
AU15	VSS		
AU17	VSS		
AU20	VSS		
AD18	VSS		
AD20	VSS		
AD22	VSS		
AD24	VSS		
AD27	VSS		
AD29	VSS		
AE19	VSS		
AE21	VSS		
AE23	VSS		
AE25	VSS		
AF18	VSS		
AF20	VSS		
AF22	VSS		
AF24	VSS		
AY1	VSS		
BC4	VSS		

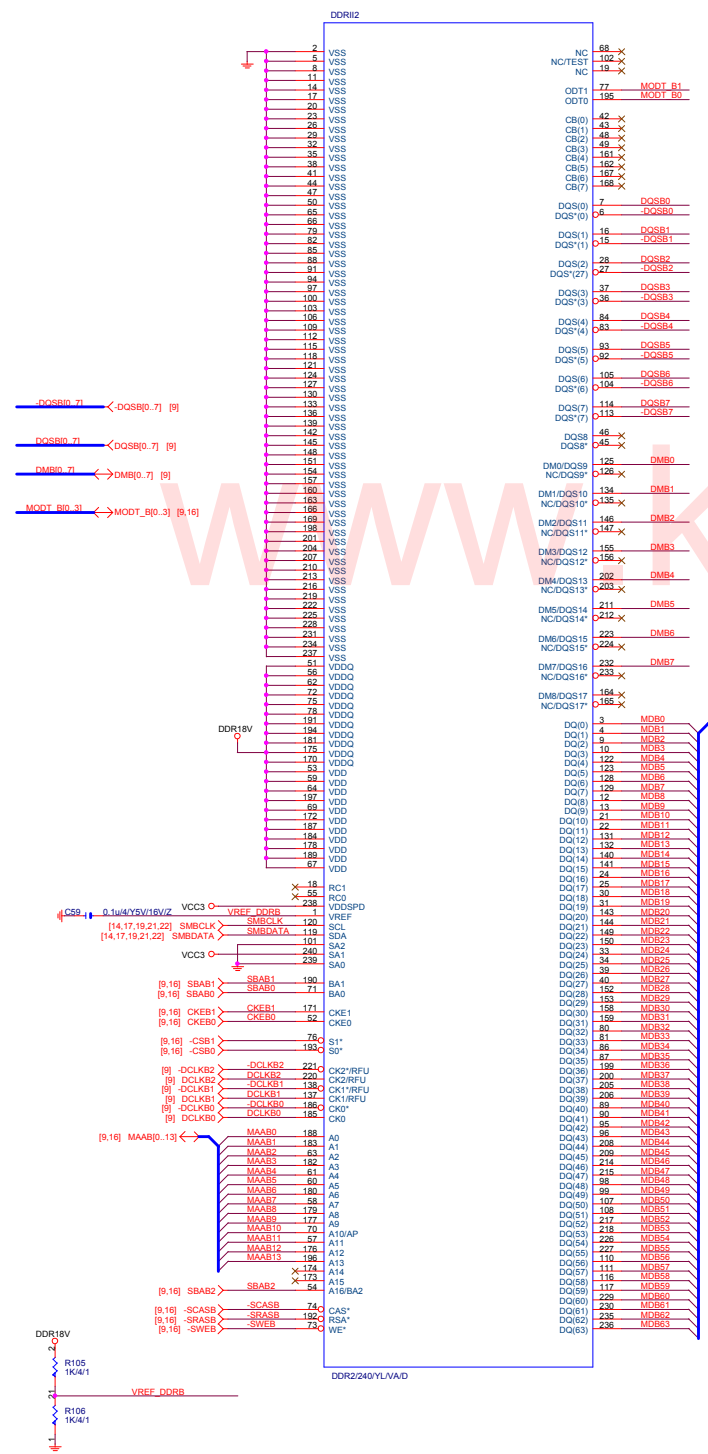
VSS	AV21
VSS	AU24
VSS	AU26
VSS	AU29
VSS	AU32
VSS	AU34
VSS	AV2
VSS	AV10
VSS	AV17
VSS	AV37
VSS	AW10
VSS	BA4
VSS	BA42
VSS	BB3
VSS	BB6
VSS	BB11
VSS	BB14
VSS	BB19
VSS	BB34
VSS	BB39
VSS	BB41
VSS	BC9
VSS	A40
VSS	D1
VSS	D43
VSS	R26
VSS	R29
VSS	U29
VSS	V24
VSS	V26
VSS	V29
VSS	W21
VSS	W23
VSS	W25
VSS	Y20
VSS	Y22
VSS	Y24
VSS	Y26
VSS	Y29
VSS	Y34
VSS	AA27
VSS	AA29
VSS	AC19
VSS	AC26
VSS	AC29
NC	A42
NC	B2
NC	B3
NC	B4
NC	B42
NC	B43
NC	C2
NC	C42
NC	E35
NC	AV26
NC	AV27
NC	AV28
NC	BA2
NC	BB1
NC	BB2
NC	BB43
NC	BC1
NC	BC2
NC	BC42
NC	BC43
RSVD	AK21
RSVD	AJ23
RSVD	AJ26
RSVD	AL20
RSVD	AL21
RSVD	AJ21
RSVD	AL26
RSVD	AK27
RSVD	AD30
RSVD	AC34
RSVD	Y30
RSVD	Y31
RSVD	AF31
RSVD	AD31
RSVD	U30
RSVD	V31
RSVD	AA30
RSVD	AC30
RSVD	AA3
RSVD	AG28
RSVD	AG28
RSVD	AG27
RSVD	AJ24
RSVD	AJ27
RSVD	AK40
RSVD	AW17
RSVD	AW19
RSVD	AY14
RSVD	BC16
RSVD	AJ25
RSVD	AG29

945GC-A2/BGA1202/FSB1066[10HB1-033000-81R]

Gigabyte Technology		
GMCH-GND		
Size Custom	Document Number	Rev
	945GCM-S2C	1.02
Date	Tuesday, October 02, 2007	Sheet 12 of 33



Gigabyte Technology		
Title	DDR2 CHANNEL A	
Size	Document Number	Rev
Custom	945GCM-S2C	1.02
Date:	Sheet 14	of 33

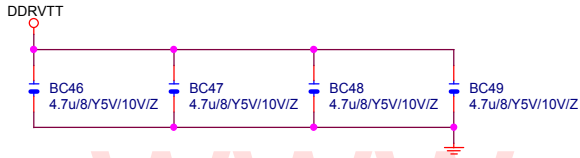
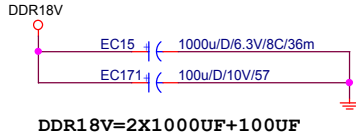


www.kythatvith.com

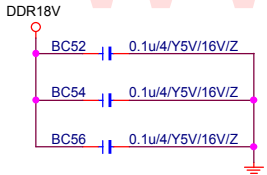
Gigabyte Technology			
Title: DDRII CHANNEL B			
Size	Document Number	Rev	
Custom	945GCM-S2C	1.02	
Date:	Sheet 15 of 33		1

DDR TERMINATION CHANNEL A

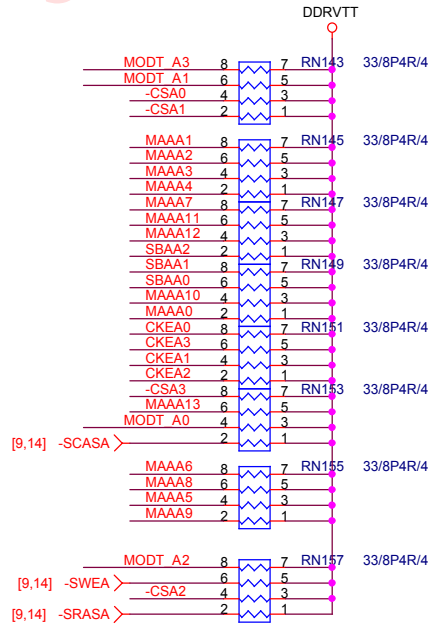
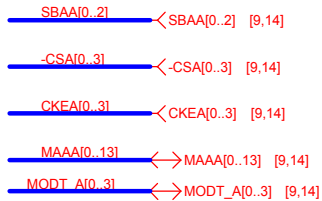
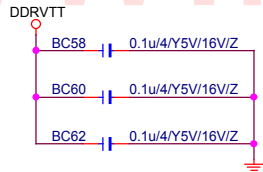
DDRVTT Decouple



DDR18V Decouple

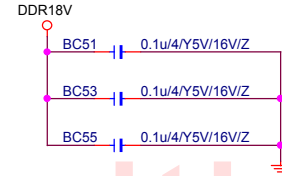


DDRVTT Decouple

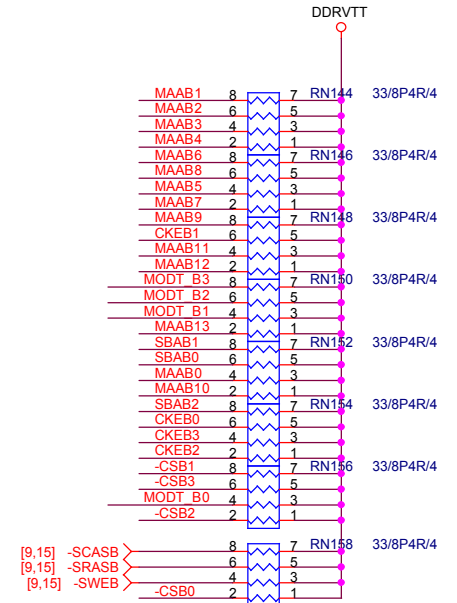
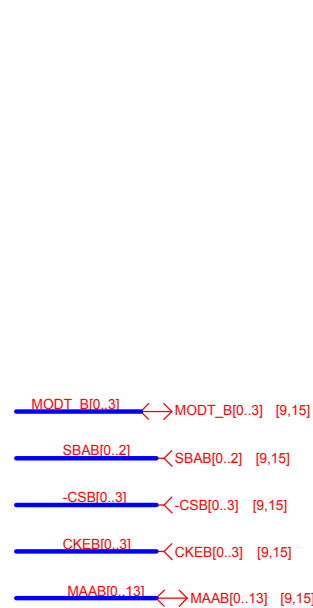
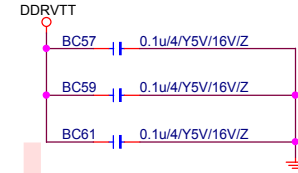


DDR TERMINATION CHANNEL B

DDR18V Decouple

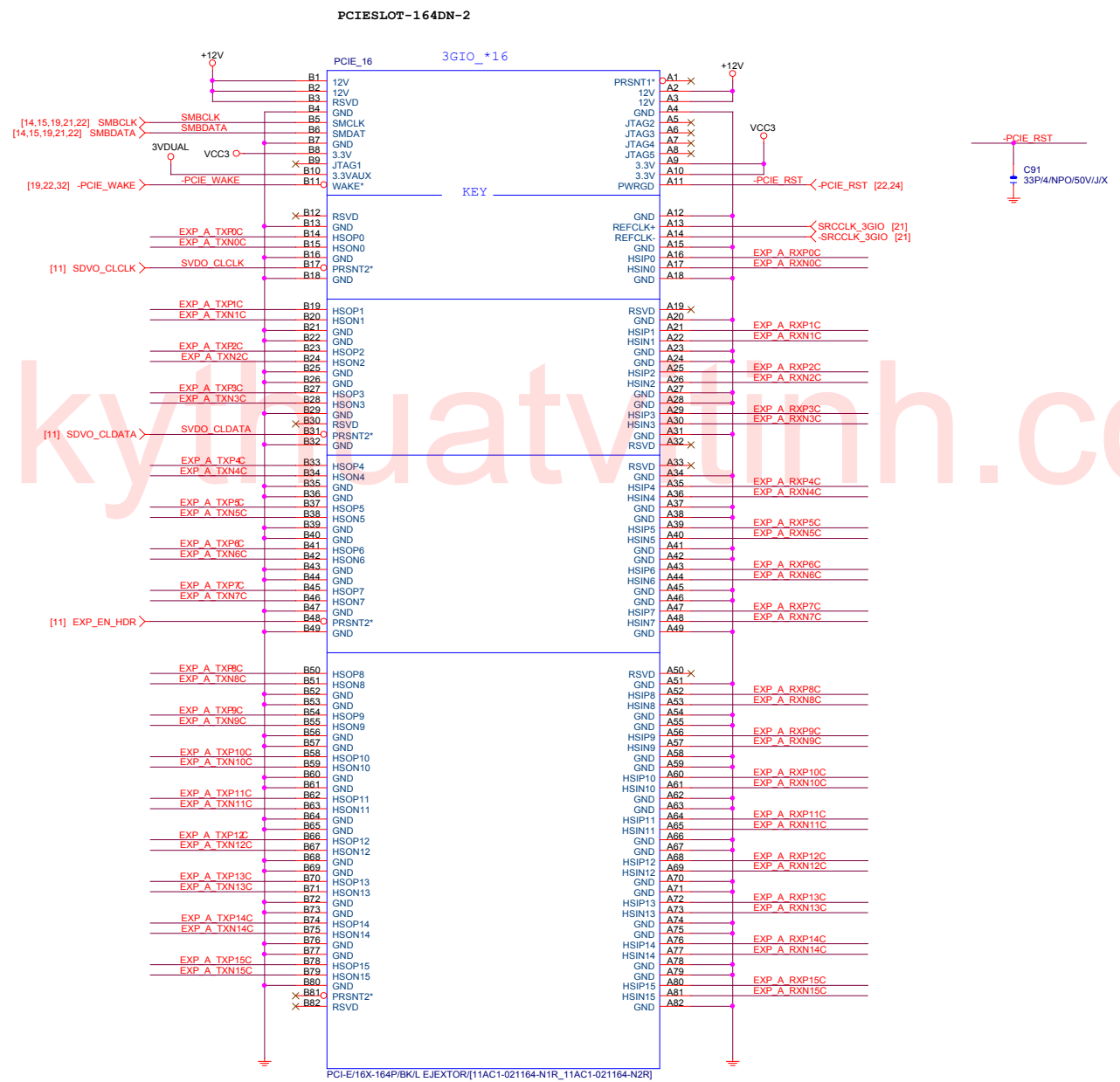
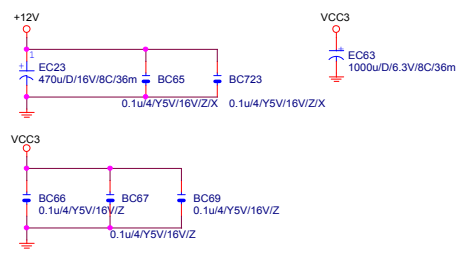


DDRVTT Decouple



Gigabyte Technology

Title		
DDRII TERMINATOR		
Size Custom	Document Number	Rev
	945GCM-S2C	1.02
Date:	Tuesday, October 02, 2007	Sheet 16 of 33



EXP A TXP0	C92	0.1u4Y5V/16V/Z	EXP A TXP0
EXP A TXN0	C93	0.1u4Y5V/16V/Z	EXP A TXN0
EXP A TXP1	C94	0.1u4Y5V/16V/Z	EXP A TXP1
EXP A TXN1	C95	0.1u4Y5V/16V/Z	EXP A TXN1
EXP A TXP2	C96	0.1u4Y5V/16V/Z	EXP A TXP2
EXP A TXN2	C97	0.1u4Y5V/16V/Z	EXP A TXN2
EXP A TXP3	C98	0.1u4Y5V/16V/Z	EXP A TXP3
EXP A TXN3	C99	0.1u4Y5V/16V/Z	EXP A TXN3
EXP A TXP4	C100	0.1u4Y5V/16V/Z	EXP A TXP4
EXP A TXN4	C101	0.1u4Y5V/16V/Z	EXP A TXN4
EXP A TXP5	C102	0.1u4Y5V/16V/Z	EXP A TXP5
EXP A TXN5	C103	0.1u4Y5V/16V/Z	EXP A TXN5
EXP A TXP6	C104	0.1u4Y5V/16V/Z	EXP A TXP6
EXP A TXN6	C105	0.1u4Y5V/16V/Z	EXP A TXN6
EXP A TXP7	C106	0.1u4Y5V/16V/Z	EXP A TXP7
EXP A TXN7	C107	0.1u4Y5V/16V/Z	EXP A TXN7
EXP A TXP8	C108	0.1u4Y5V/16V/Z	EXP A TXP8
EXP A TXN8	C109	0.1u4Y5V/16V/Z	EXP A TXN8
EXP A TXP9	C110	0.1u4Y5V/16V/Z	EXP A TXP9
EXP A TXN9	C111	0.1u4Y5V/16V/Z	EXP A TXN9
EXP A TXP10	C112	0.1u4Y5V/16V/Z	EXP A TXP10
EXP A TXN10	C113	0.1u4Y5V/16V/Z	EXP A TXN10
EXP A TXP11	C114	0.1u4Y5V/16V/Z	EXP A TXP11
EXP A TXN11	C115	0.1u4Y5V/16V/Z	EXP A TXN11
EXP A TXP12	C116	0.1u4Y5V/16V/Z	EXP A TXP12
EXP A TXN12	C117	0.1u4Y5V/16V/Z	EXP A TXN12
EXP A TXP13	C118	0.1u4Y5V/16V/Z	EXP A TXP13
EXP A TXN13	C119	0.1u4Y5V/16V/Z	EXP A TXN13
EXP A TXP14	C120	0.1u4Y5V/16V/Z	EXP A TXP14
EXP A TXN14	C121	0.1u4Y5V/16V/Z	EXP A TXN14
EXP A TXP15	C122	0.1u4Y5V/16V/Z	EXP A TXP15
EXP A TXN15	C123	0.1u4Y5V/16V/Z	EXP A TXN15

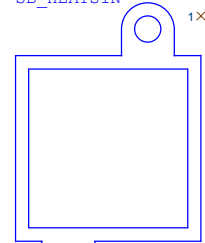
EXP A RXP0		EXP A RXP0C
EXP A RXN0		EXP A RXN0C
EXP A RXP1		EXP A RXP1C
EXP A RXN1		EXP A RXN1C
EXP A RXP2		EXP A RXP2C
EXP A RXN2		EXP A RXN2C
EXP A RXP3		EXP A RXP3C
EXP A RXN3		EXP A RXN3C
EXP A RXP4		EXP A RXP4C
EXP A RXN4		EXP A RXN4C
EXP A RXP5		EXP A RXP5C
EXP A RXN5		EXP A RXN5C
EXP A RXP6		EXP A RXP6C
EXP A RXN6		EXP A RXN6C
EXP A RXP7		EXP A RXP7C
EXP A RXN7		EXP A RXN7C
EXP A RXP8		EXP A RXP8C
EXP A RXN8		EXP A RXN8C
EXP A RXP9		EXP A RXP9C
EXP A RXN9		EXP A RXN9C
EXP A RXP10		EXP A RXP10C
EXP A RXN10		EXP A RXN10C
EXP A RXP11		EXP A RXP11C
EXP A RXN11		EXP A RXN11C
EXP A RXP12		EXP A RXP12C
EXP A RXN12		EXP A RXN12C
EXP A RXP13		EXP A RXP13C
EXP A RXN13		EXP A RXN13C
EXP A RXP14		EXP A RXP14C
EXP A RXN14		EXP A RXN14C
EXP A RXP15		EXP A RXP15C
EXP A RXN15		EXP A RXN15C

LEFT BLUE



NEW SB_HS:BGHSINK_SB-N

SB_HEATSIN 1X

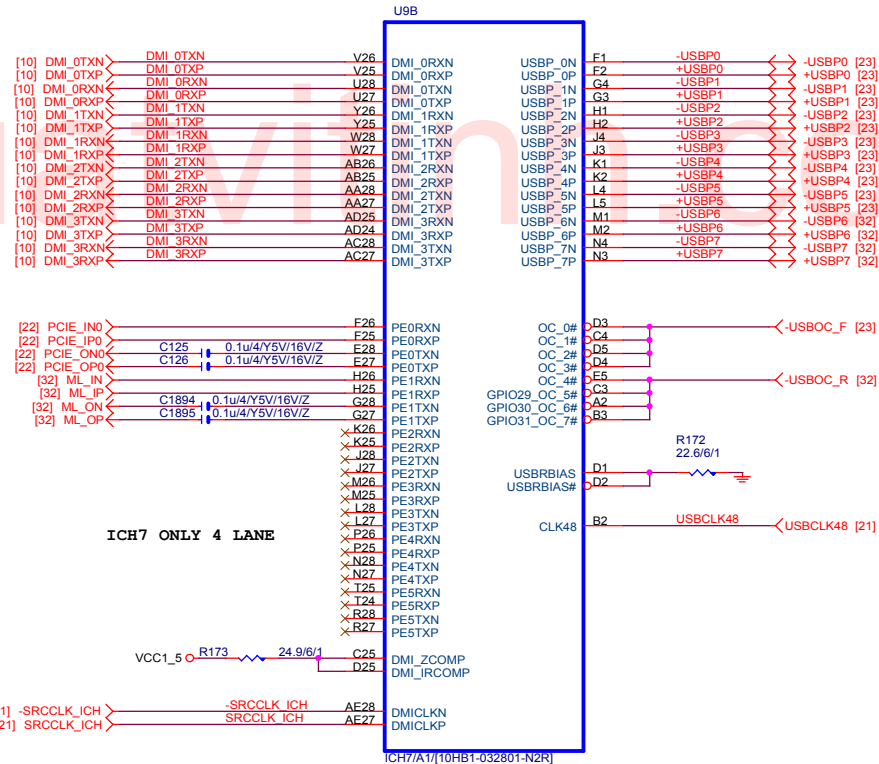


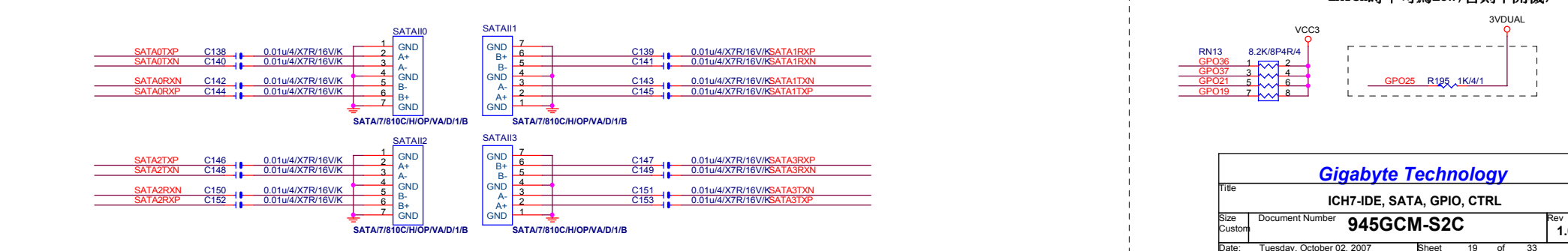
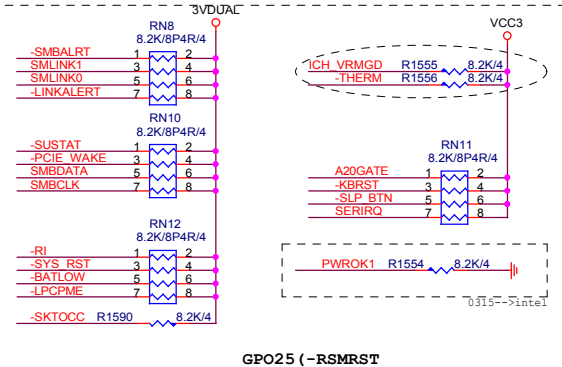
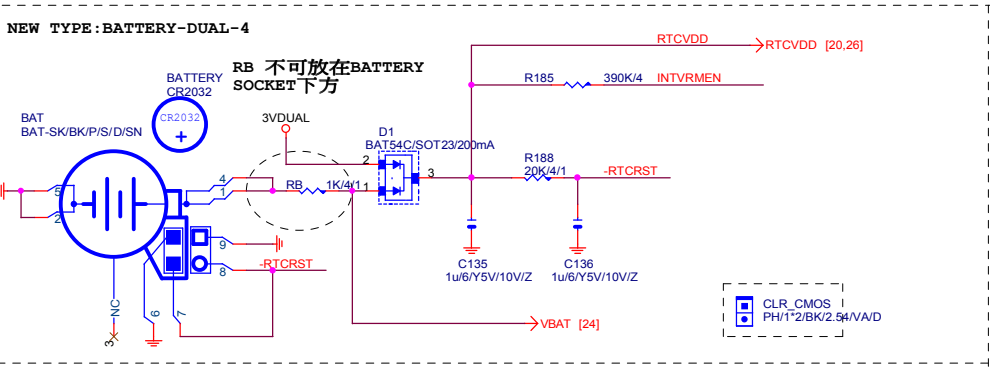
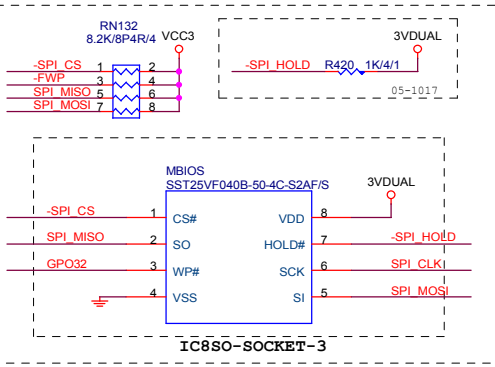
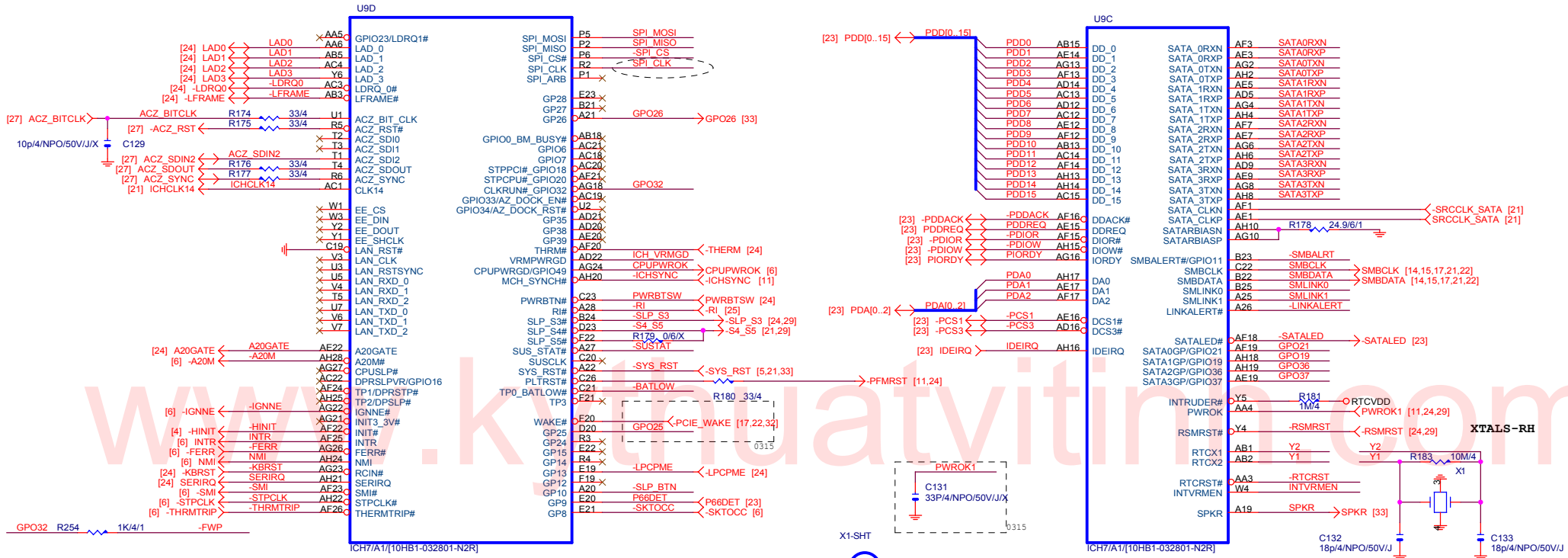
SB_HS([12SP2-030005-11R_12SP2-030005-12R_12SP2-030005-13R_12SP2-030005-14R])

SB_HS

×2

NEW SB_HS 對邊





Gigabyte Technology

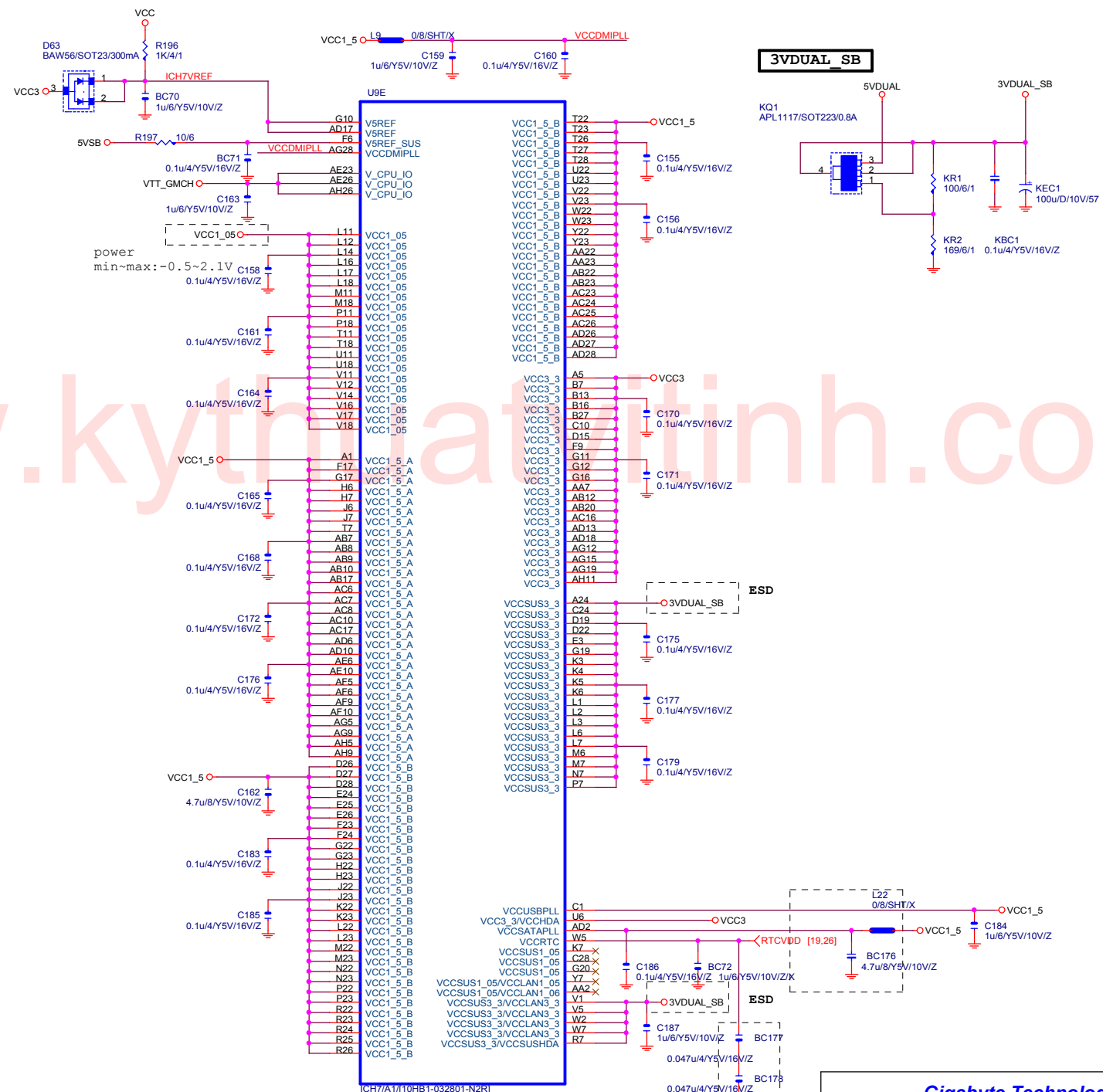
ICH7-IDE, SATA, GPIO, CTRL

945GCM-S2C

Size: Custom | Document Number: 945GCM-S2C | Rev: 1.02

Date: Tuesday, October 02, 2007 | Sheet: 19 of 33

A4	VSS1	VSS101	R14
A23	VSS2	VSS102	R15
B1	VSS3	VSS103	R16
B8	VSS4	VSS104	R17
B11	VSS5	VSS105	R18
B14	VSS6	VSS106	T6
B17	VSS7	VSS107	T12
B20	VSS8	VSS108	T13
B26	VSS9	VSS109	T14
B28	VSS10	VSS110	T15
C2	VSS11	VSS111	T17
C6	VSS12	VSS112	T17
D10	VSS13	VSS113	U4
D13	VSS14	VSS114	U12
D18	VSS15	VSS115	U13
D21	VSS16	VSS116	U14
D24	VSS17	VSS117	U16
E1	VSS18	VSS118	U17
E2	VSS19	VSS119	U24
E8	VSS20	VSS120	U25
E15	VSS21	VSS121	U26
F3	VSS22	VSS122	U2
F4	VSS23	VSS123	U3
F12	VSS24	VSS124	U5
F27	VSS25	VSS125	U2
F28	VSS26	VSS126	V24
G1	VSS27	VSS127	V27
G2	VSS28	VSS128	V28
G5	VSS29	VSS129	W6
G6	VSS30	VSS130	W24
G9	VSS31	VSS131	W25
G14	VSS32	VSS132	W26
G18	VSS33	VSS133	Y3
G21	VSS34	VSS134	Y24
G24	VSS35	VSS135	Y28
G25	VSS36	VSS136	AA1
G26	VSS37	VSS137	AA24
H3	VSS38	VSS138	AA25
H4	VSS39	VSS139	AA26
H5	VSS40	VSS140	AB4
H24	VSS41	VSS141	AB8
H27	VSS42	VSS142	AB11
H28	VSS43	VSS143	AB14
J1	VSS44	VSS144	AB16
J2	VSS45	VSS145	AB19
J5	VSS46	VSS146	AB21
J24	VSS47	VSS147	AB24
J25	VSS48	VSS148	AB27
J26	VSS49	VSS149	AB28
K24	VSS50	VSS150	AC2
K27	VSS51	VSS151	AC5
K28	VSS52	VSS152	AC9
L13	VSS53	VSS153	AC11
L15	VSS54	VSS154	AD1
L24	VSS55	VSS155	AD3
L25	VSS56	VSS156	AD4
L26	VSS57	VSS157	AD7
M3	VSS58	VSS158	AD8
M4	VSS59	VSS159	AD11
M5	VSS60	VSS160	AD15
M12	VSS61	VSS161	AD19
M13	VSS62	VSS162	AD23
M14	VSS63	VSS163	AE2
M15	VSS64	VSS164	AE4
M16	VSS65	VSS165	AE8
M17	VSS66	VSS166	AE11
M24	VSS67	VSS167	AE13
M27	VSS68	VSS168	AE18
M28	VSS69	VSS169	AE21
N1	VSS70	VSS170	AE24
N2	VSS71	VSS171	AE25
N5	VSS72	VSS172	AF2
N6	VSS73	VSS173	AF4
N11	VSS74	VSS174	AF8
N12	VSS75	VSS175	AF11
N13	VSS76	VSS176	AF27
N14	VSS77	VSS177	AF29
N15	VSS78	VSS178	AG1
N16	VSS79	VSS179	AG3
N17	VSS80	VSS180	AG7
N18	VSS81	VSS181	AG14
N24	VSS82	VSS182	AG17
N25	VSS83	VSS183	AG20
N26	VSS84	VSS184	AG25
P3	VSS85	VSS185	AH1
P4	VSS86	VSS186	AH3
P12	VSS87	VSS187	AH7
P13	VSS88	VSS188	AH7
P14	VSS89	VSS189	AH12
P15	VSS90	VSS190	AH23
P16	VSS91	VSS191	AH27
P17	VSS92	VSS192	C27
P24	VSS93	VSS193	E4
P27	VSS94	VSS194	AG11
P28	VSS95		
R1	VSS96		
R11	VSS97		
R12	VSS98		
R13	VSS99		
	VSS100		



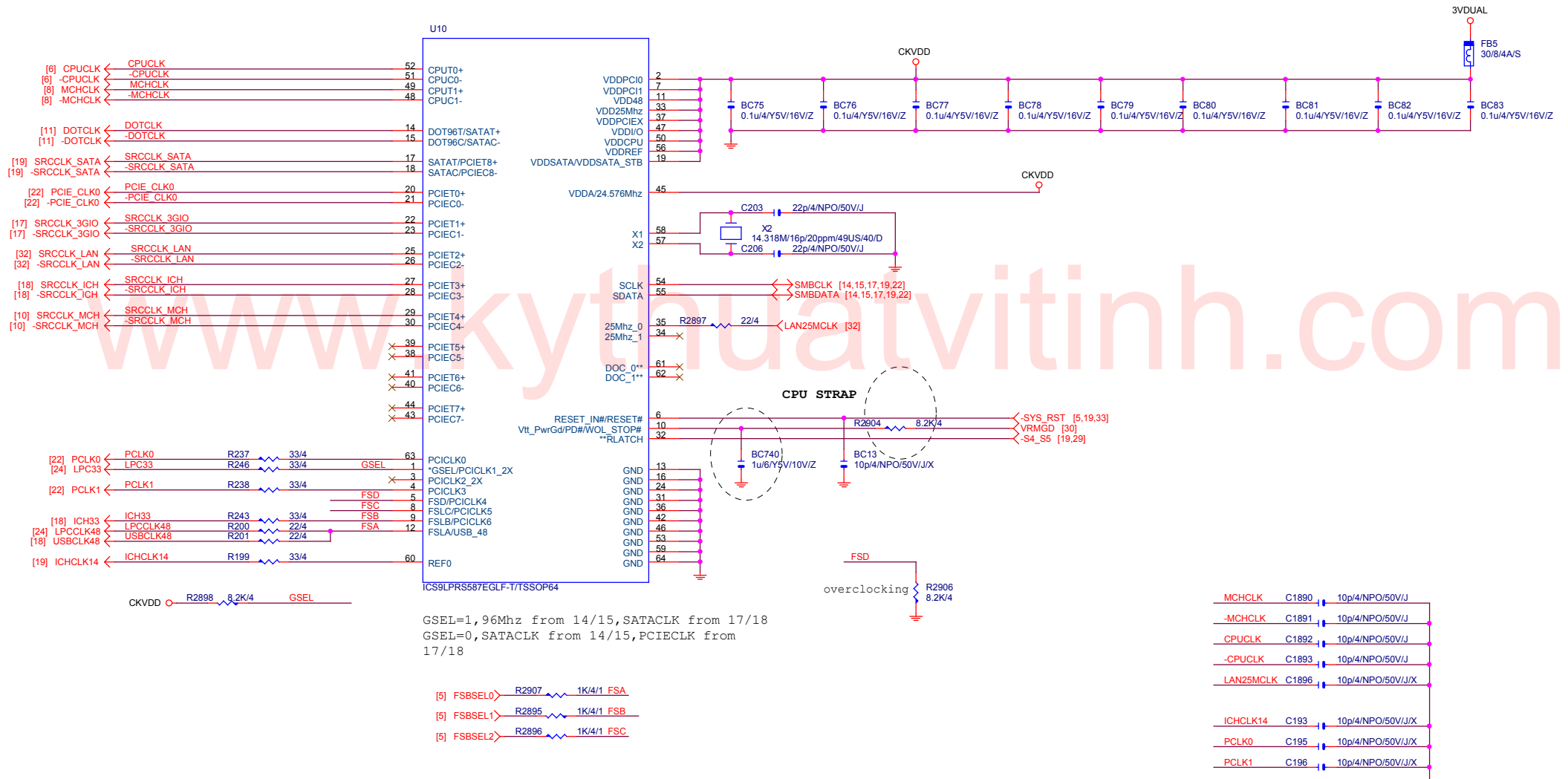
Gigabyte Technology

ICH7-PWR & GND

Size	Document Number	Rev
B	945GCM-S2C	1.02

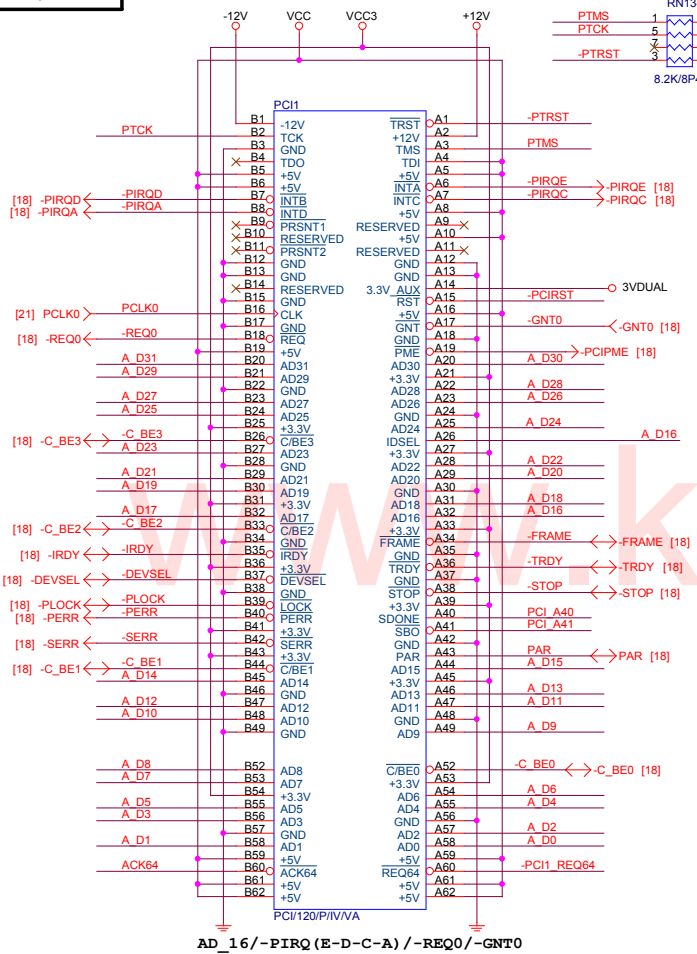
Date: Tuesday, October 02, 2007 Sheet 20 of 33

FOR 漏電

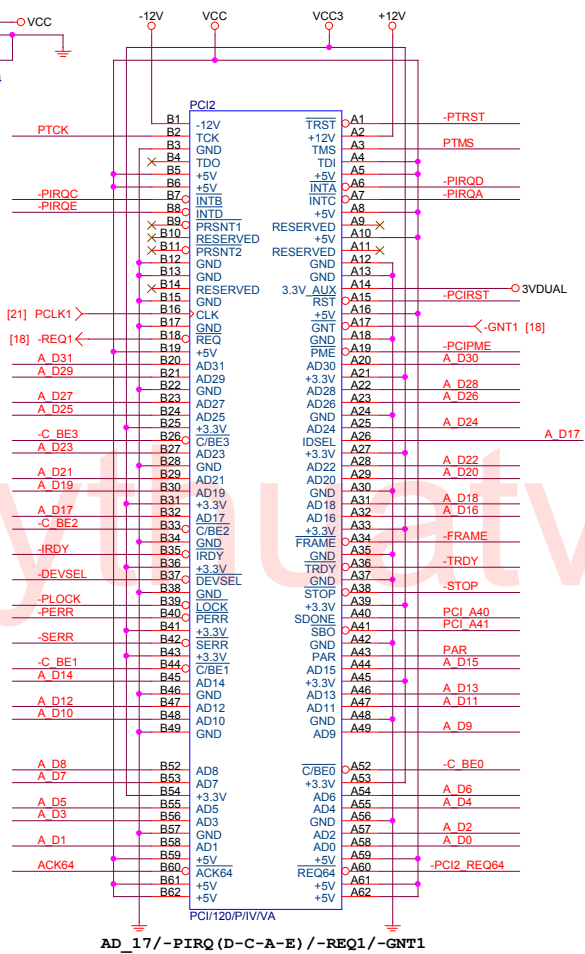


Gigabyte Technology		
Title		
CK505 CLK GEN		
Size	Document Number	Rev
Custom	945GCM-S2C	1.02
Date:	Tuesday, October 02, 2007	Sheet 21 of 33

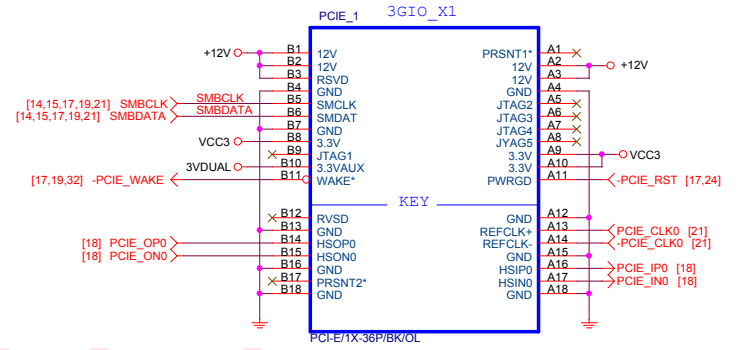
PCI1, 2 SLOT



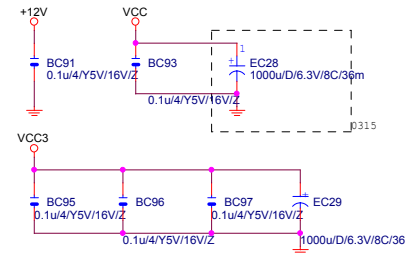
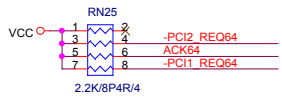
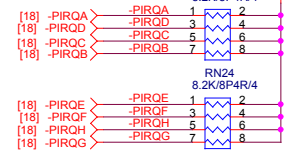
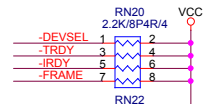
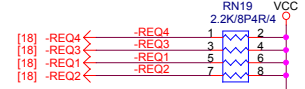
AD_16/-PIRQ (E-D-C-A) /-REQ0/-GNT0



AD_17/-PIRQ (D-C-A-E) /-REQ1/-GNT1



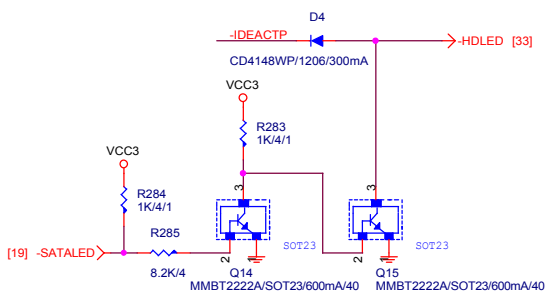
PCI-E/1X-36P/BK/OL



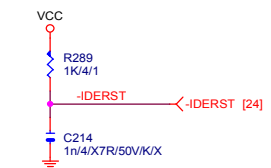
Gigabyte Technology

Title			Rev		
PCI SLOT 1, 2/PCIEX1			1.02		
Size	Document Number	945GCM-S2C			
Custom					
Date:	Tuesday, October 02, 2007	Sheet	22	of 33	

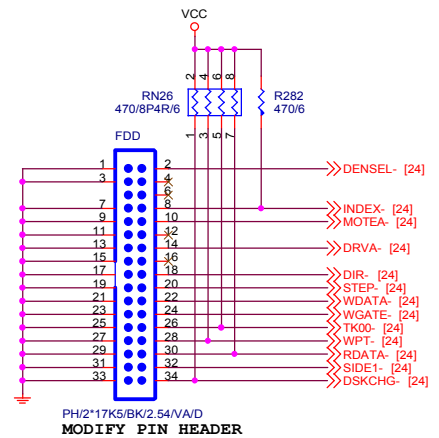
IDE/SATA LED



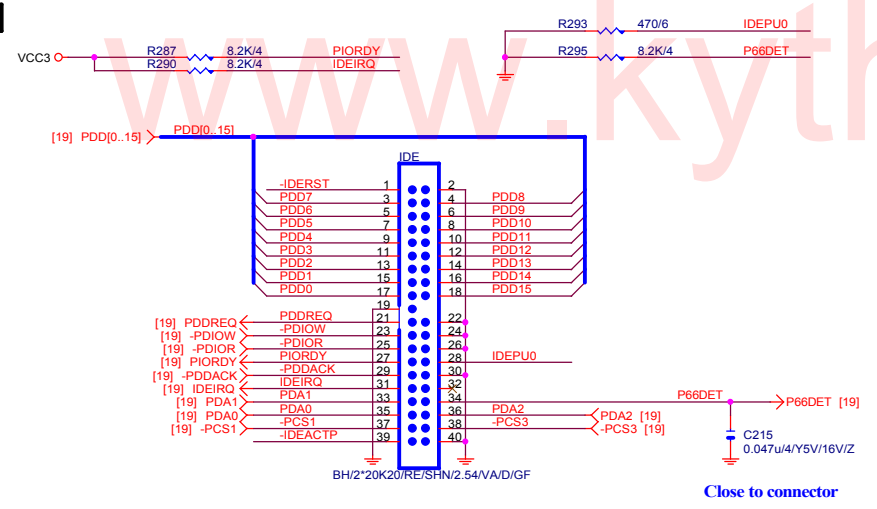
IDE RESET



FLOPPY



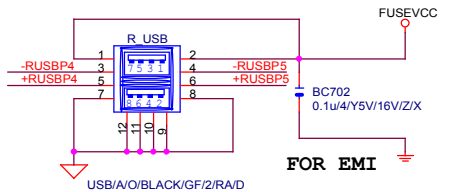
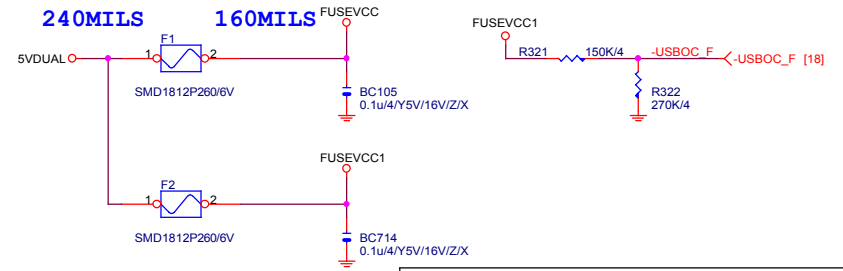
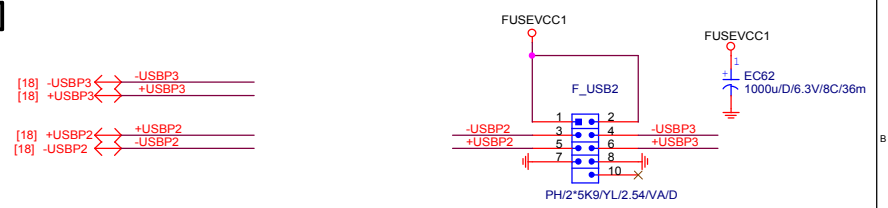
IDE



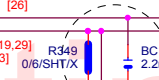
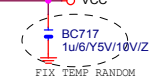
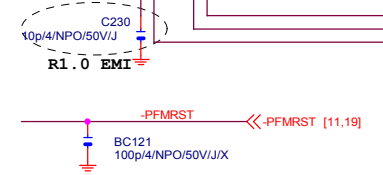
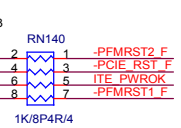
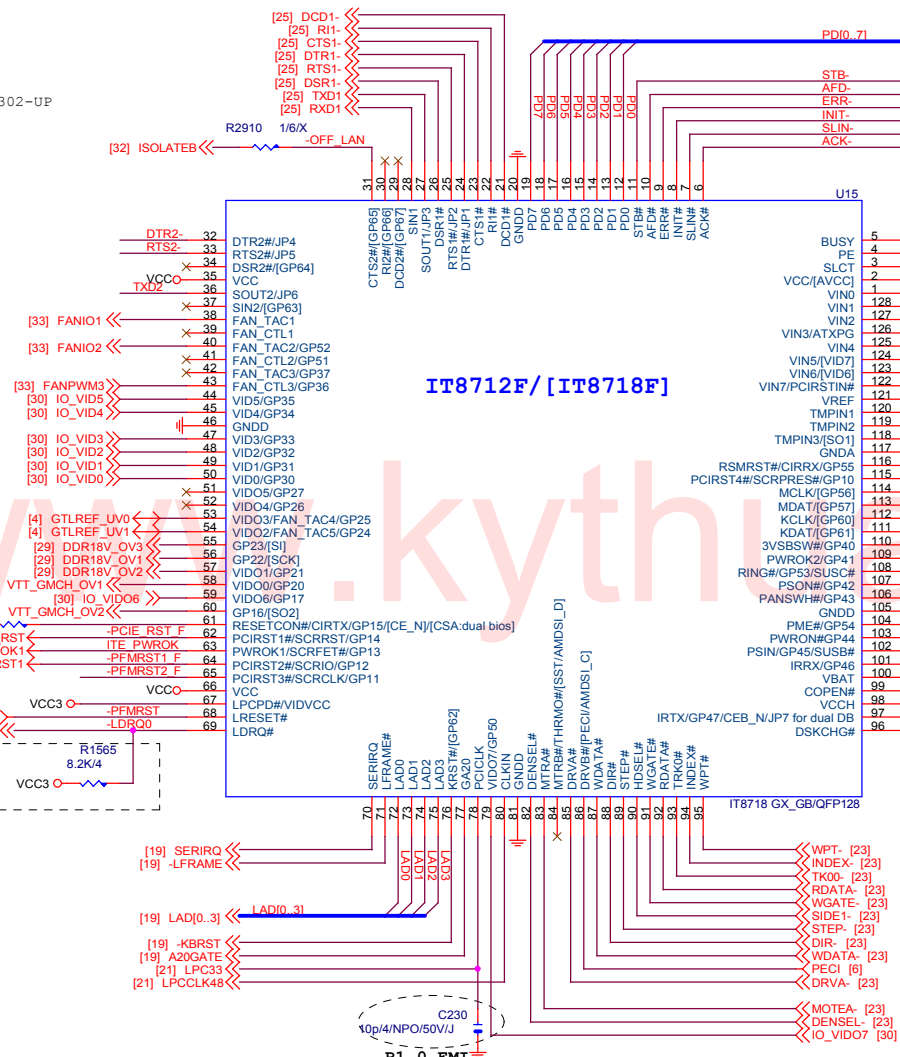
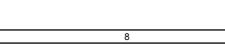
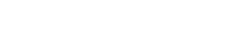
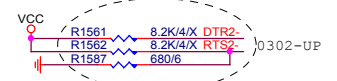
FRONT USB1



FRONT USB2

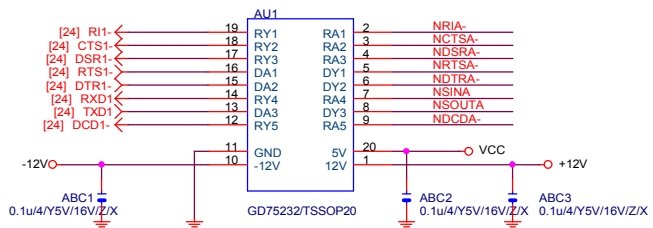


RTS2- ==LOW CPU FAN 50%
 ==HIGH 100%
DEFAULT 50%

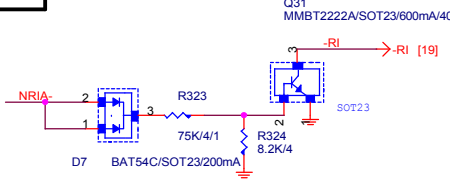


Gigabyte Technology		
Title ITE 8718 LPC IO		
Size B	Document Number 945GCM-S2C	Rev 1.02
Date: Tuesday, October 02, 2007	Sheet 24	of 33

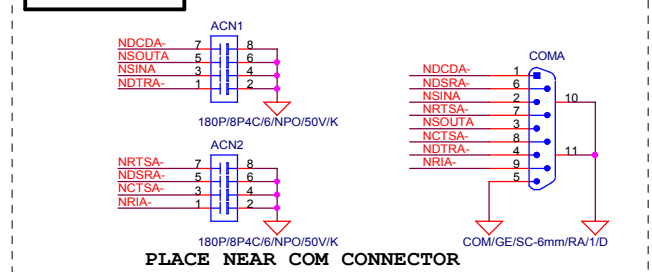
COMA



RING IN

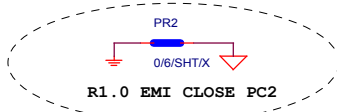
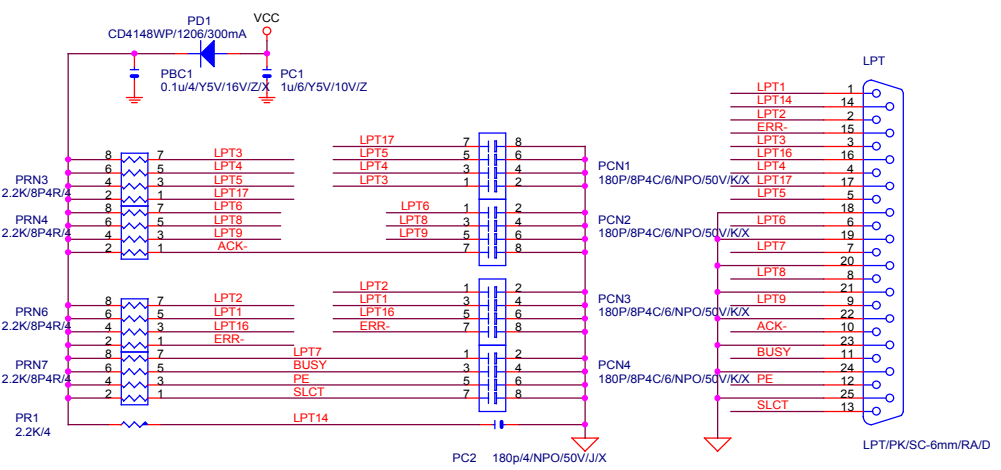
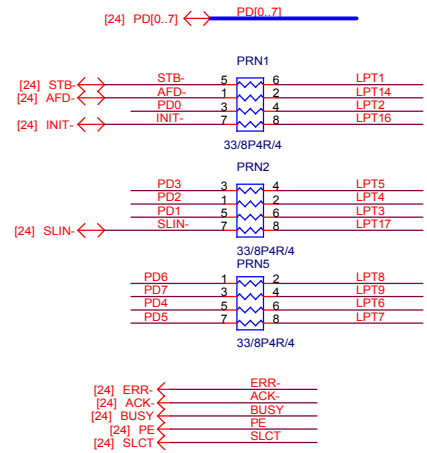


EXTERNAL COMA



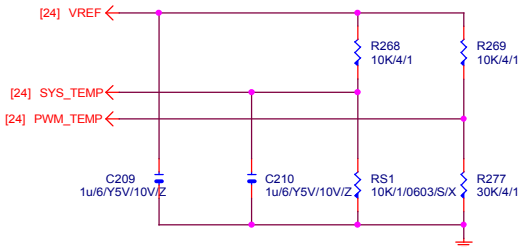
www.kythuatinh.com

LPT PORT

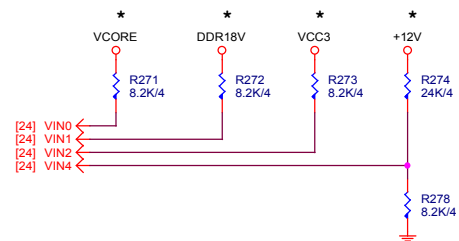


Gigabyte Technology		
Title COM & LPT PORT		
Size B	Document Number 945GCM-S2C	Rev 1.02
Date: Tuesday, October 02, 2007	Sheet 25	of 33

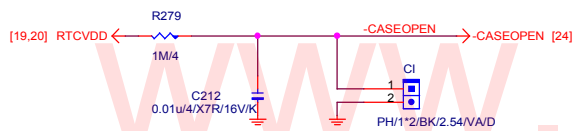
TEMP H/W MONITOR



VOLTAGE-- H/W MONITOR

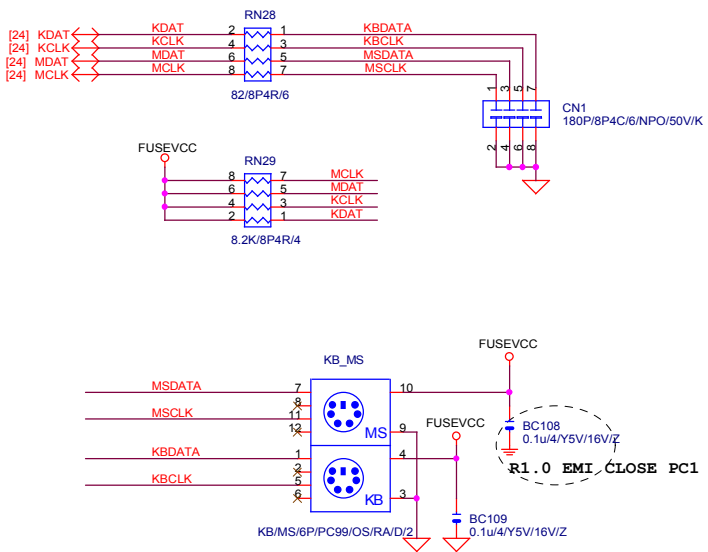


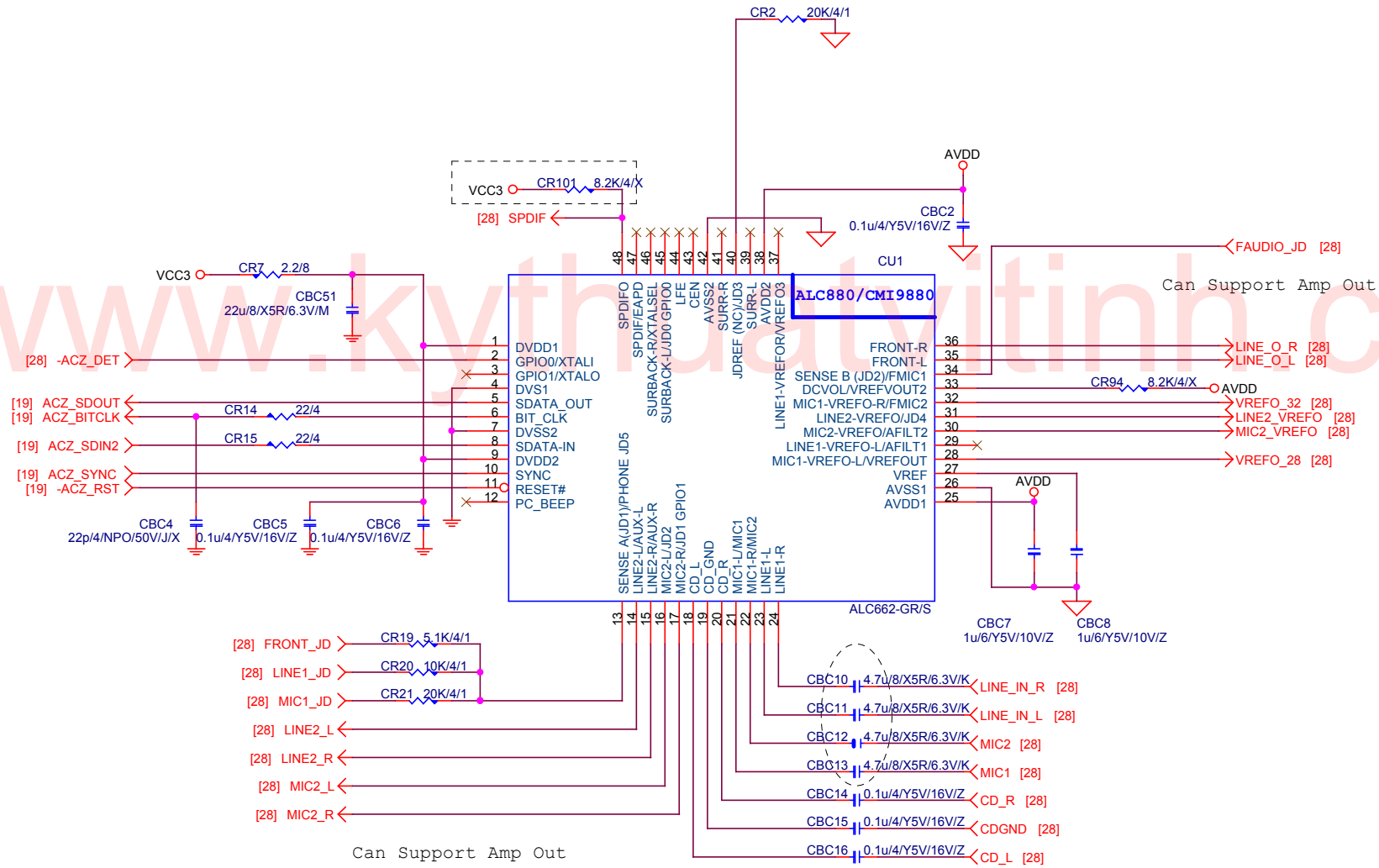
CASE OPEN



Case Open Circuits

KB/MS

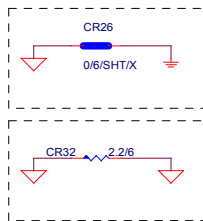
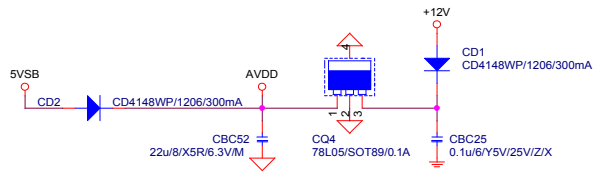




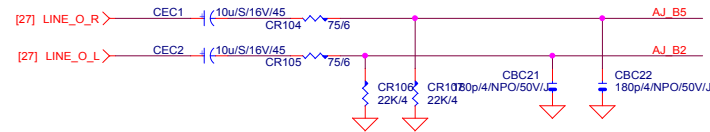
Gigabyte Technology

Title		
AZALIA ALC662		
Size Custom	Document Number	Rev
	945GCM-S2C	1.02
Date:	Tuesday, October 02, 2007	Sheet 27 of 33

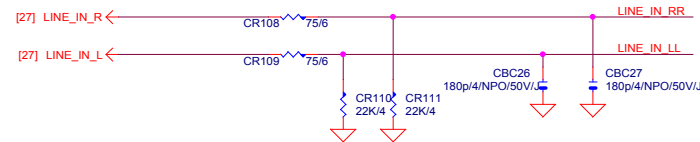
CODEC POWER/EMI PAD



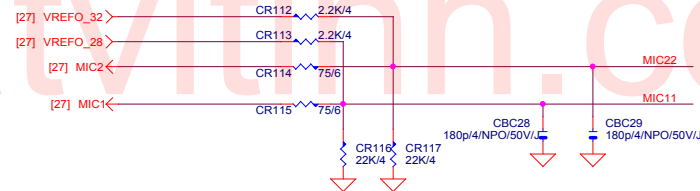
LINE-OUT



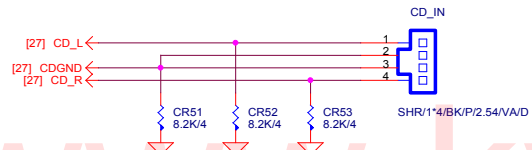
LINE-IN



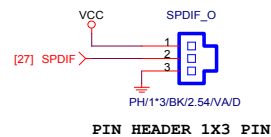
MIC-IN



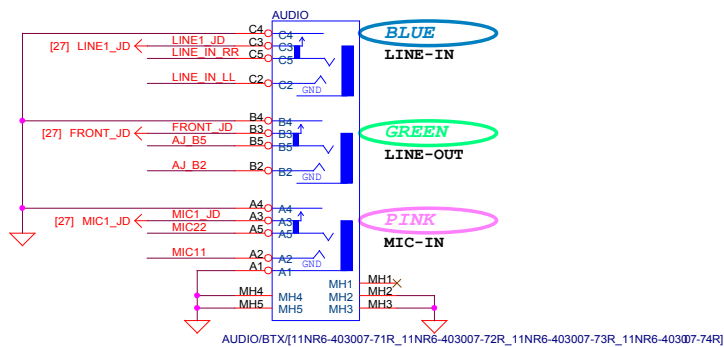
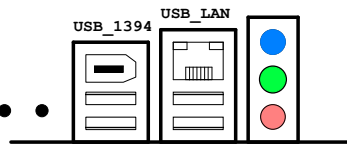
CD IN



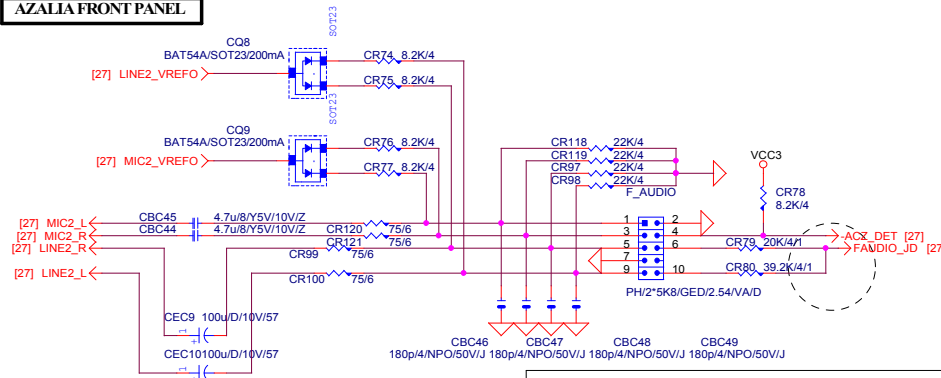
SPDIF



AZALIA JACK

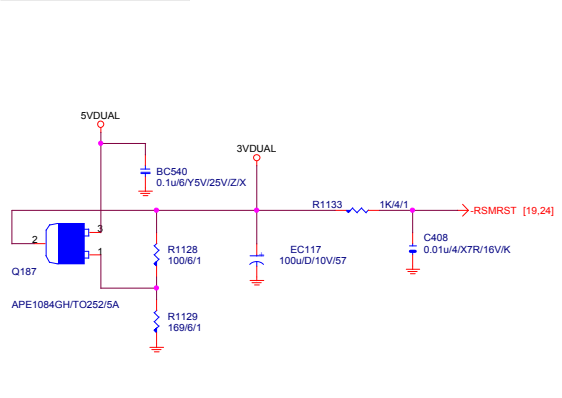


AZALIA FRONT PANEL

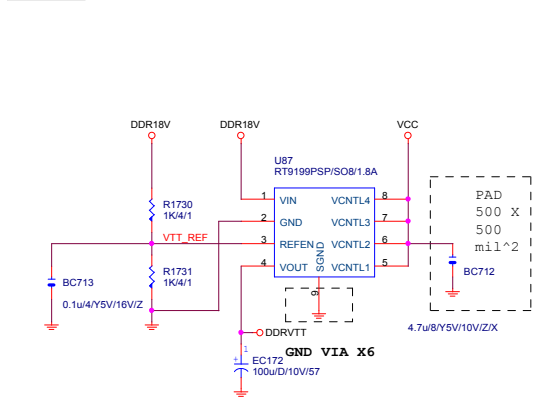


Gigabyte Technology			
AUDIO JACK			
945GCM-S2C			
Title	Document Number	Rev	1.02
Size	Custom		
Date:	Tuesday, October 02, 2007	Sheet	28 of 33

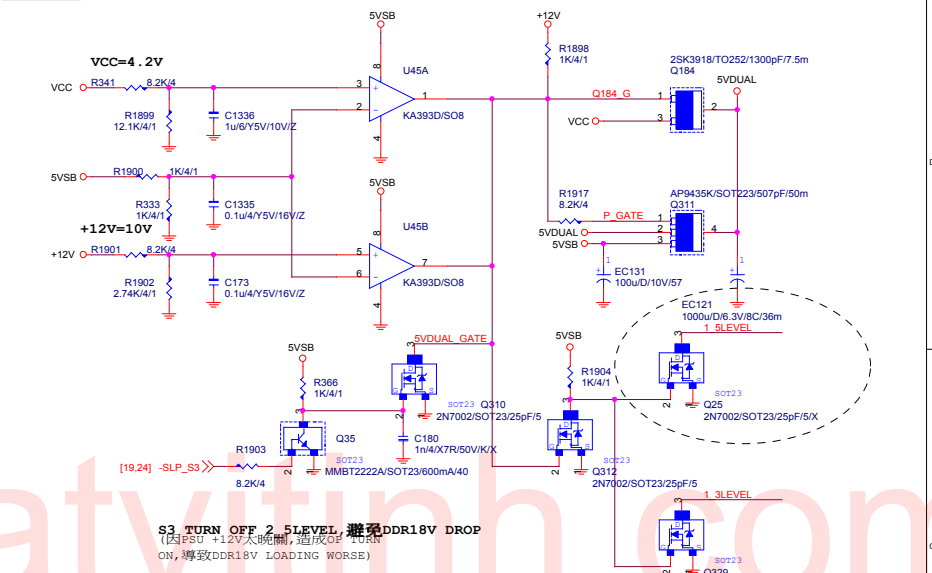
3VDUAL CIRCUIT



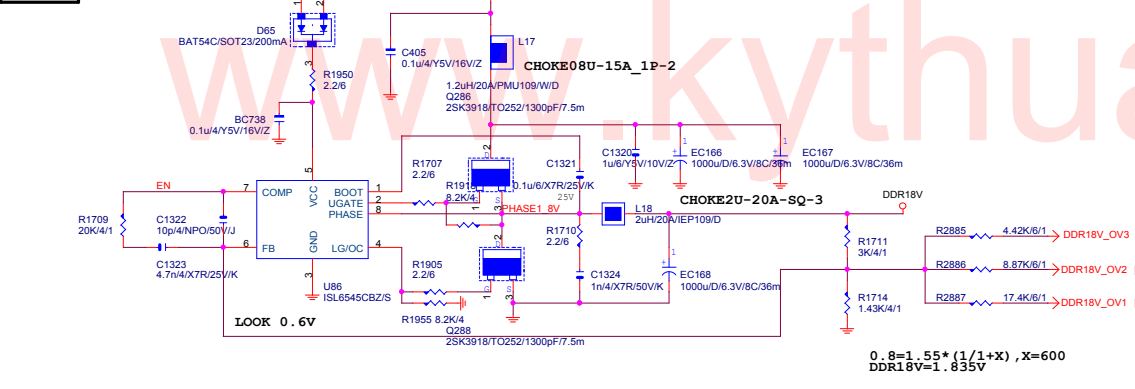
DDRVTT



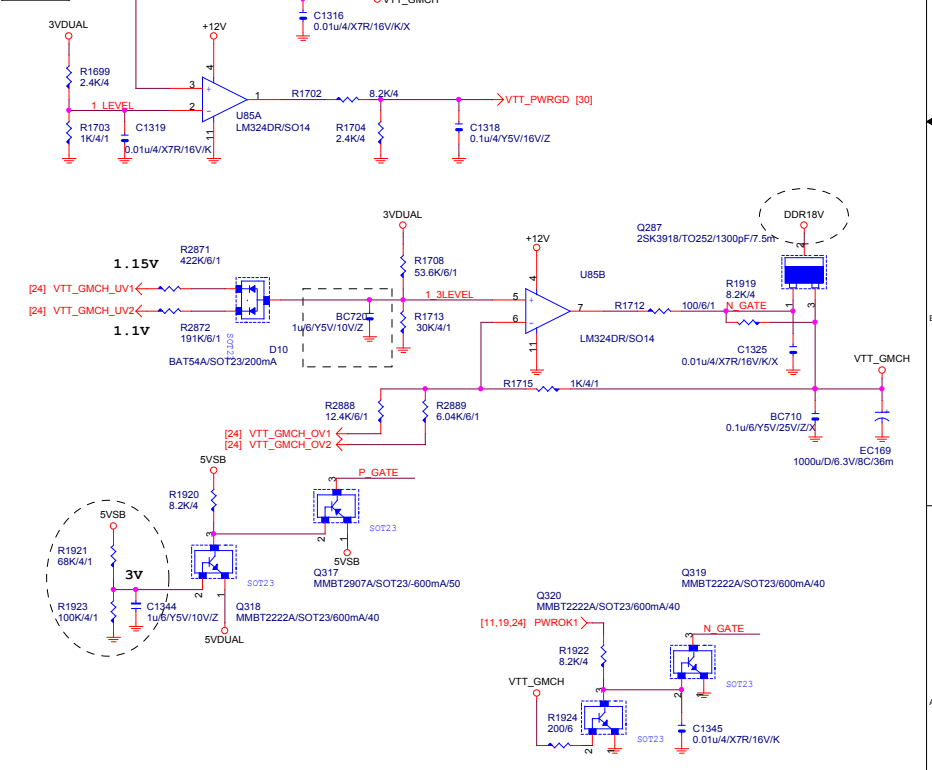
5VDUAL



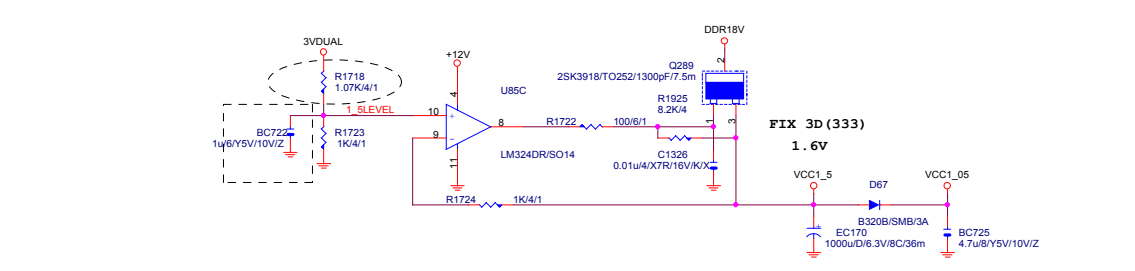
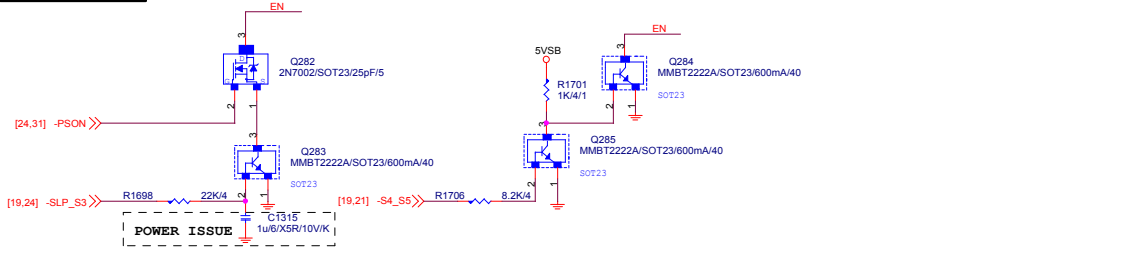
DDR18V

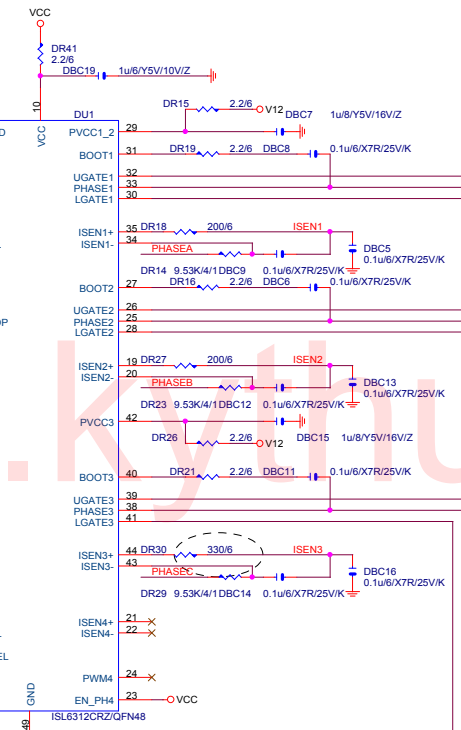
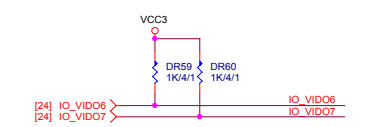
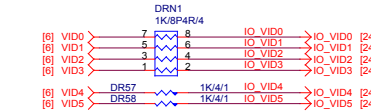
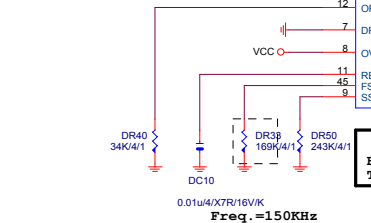
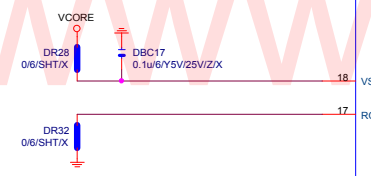
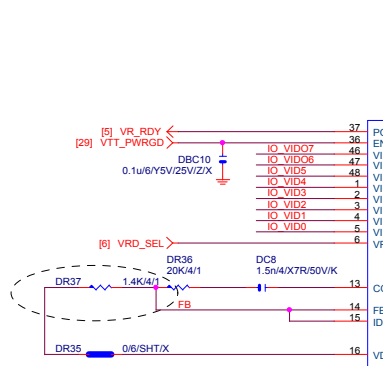


POWER

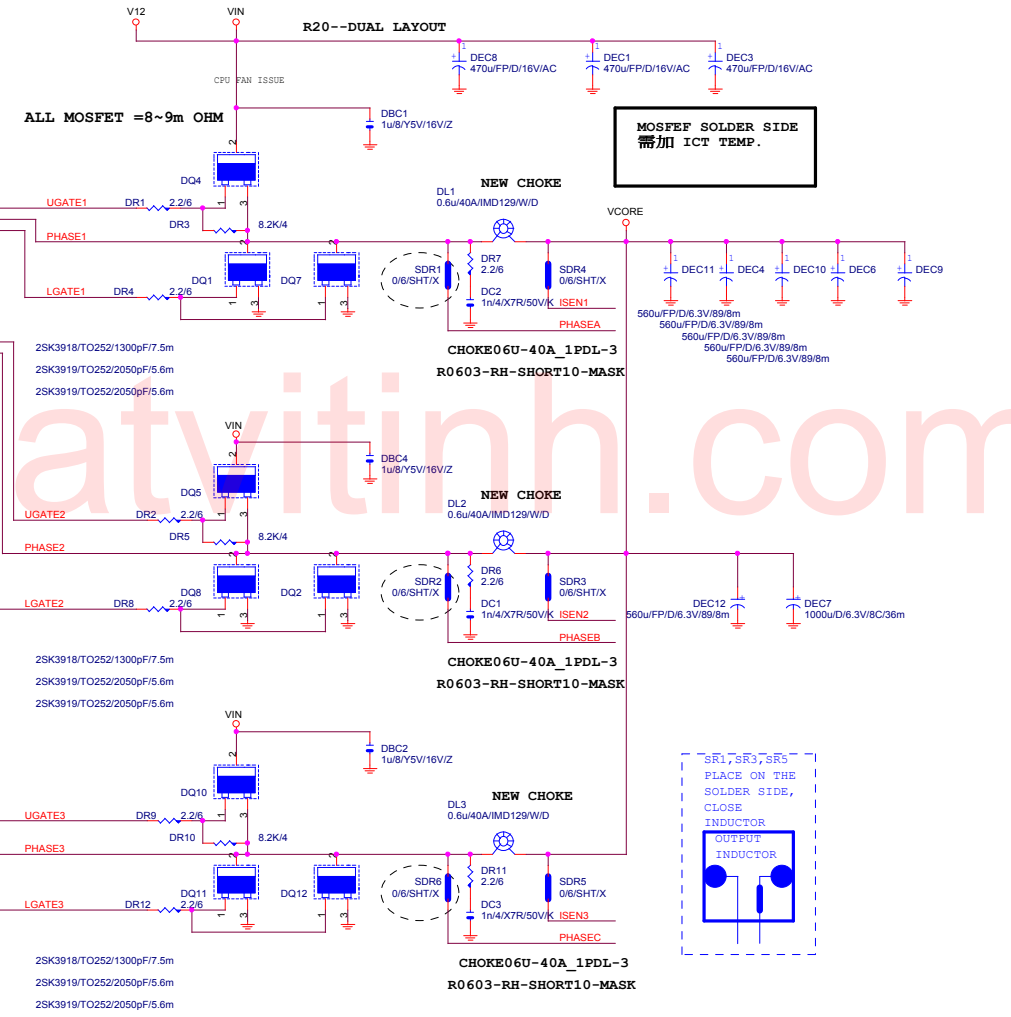


POWER SEQUENCY





BOTTOM PAD CONNECT TO GND THROUGH 10 VIA

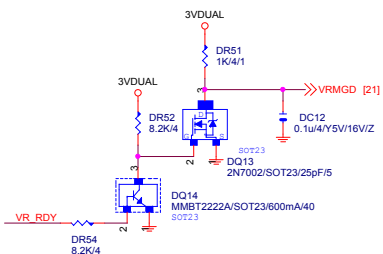
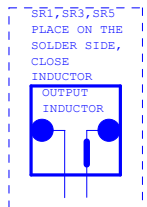


MOSFET SOLDER SIDE 帶加 ICT TEMP.

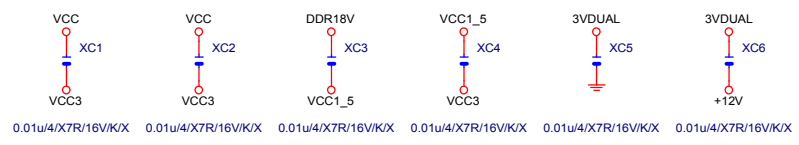
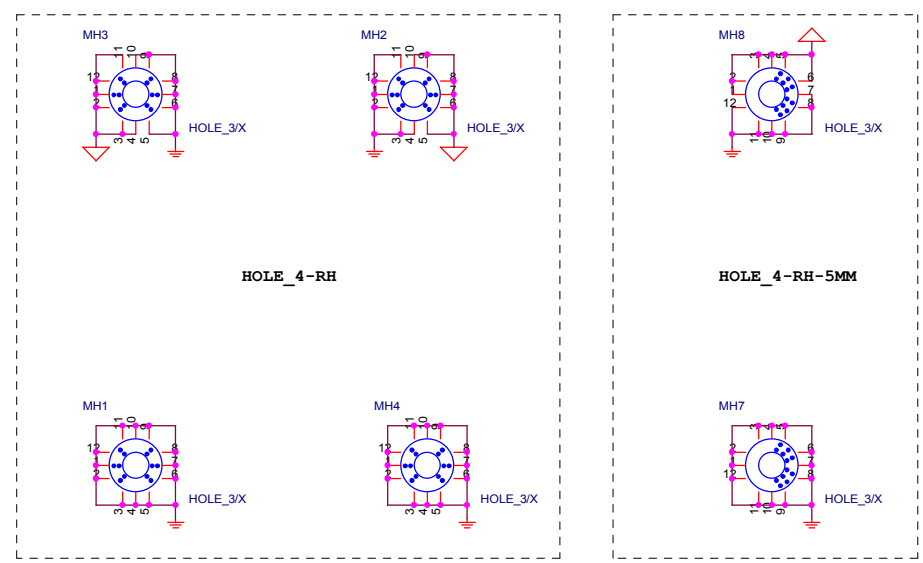
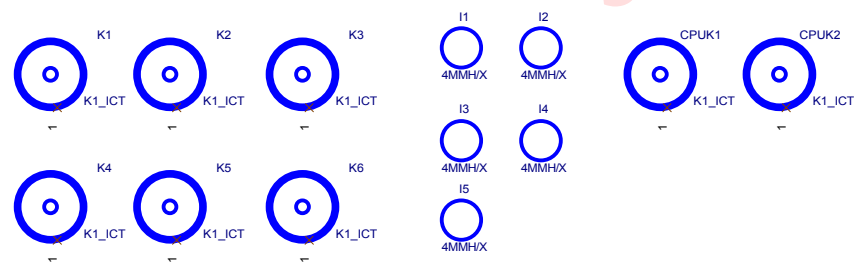
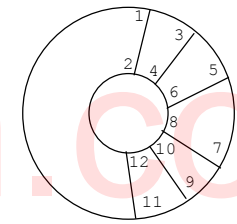
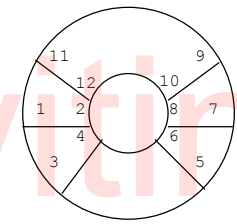
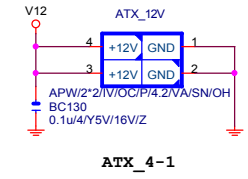
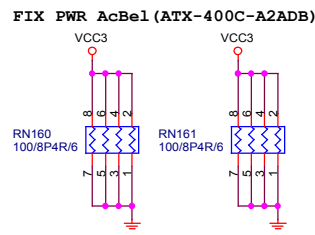
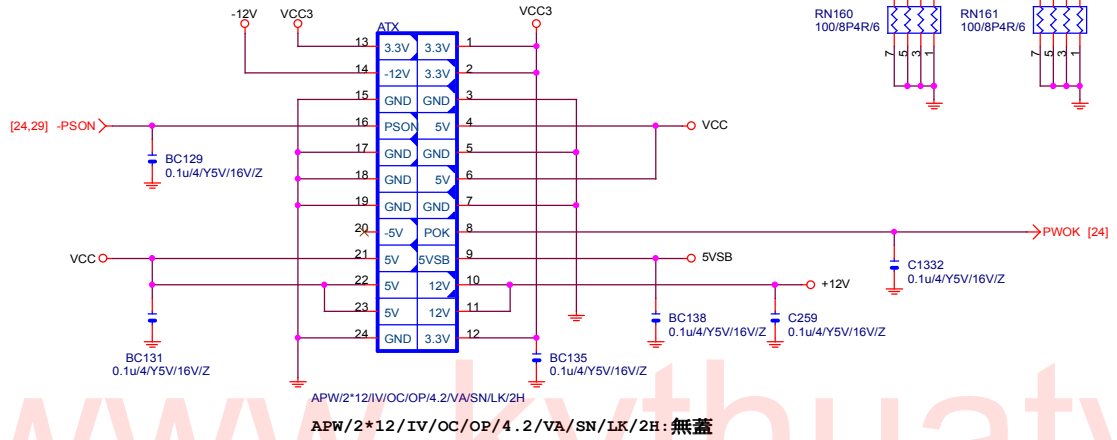
CHOKE06U-40A_1PDL-3 R0603-RH-SHORT10-MASK

CHOKE06U-40A_1PDL-3 R0603-RH-SHORT10-MASK

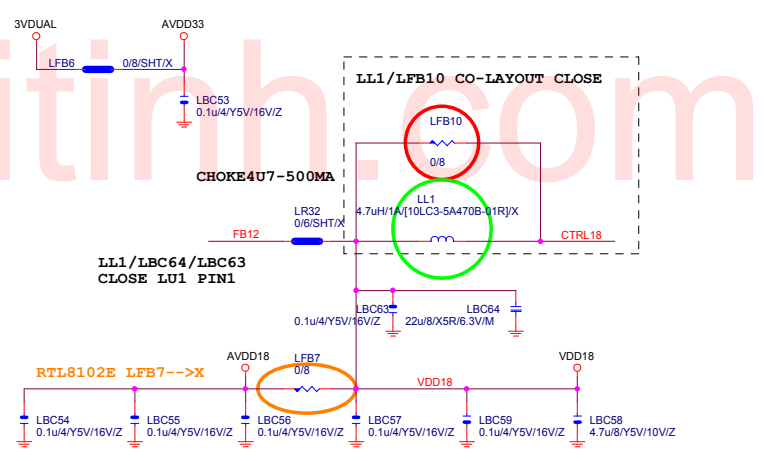
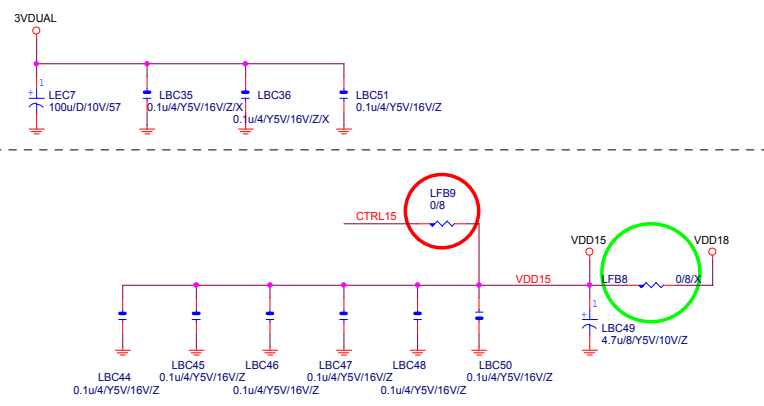
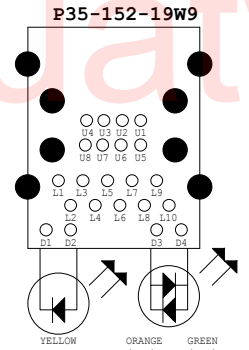
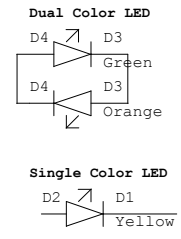
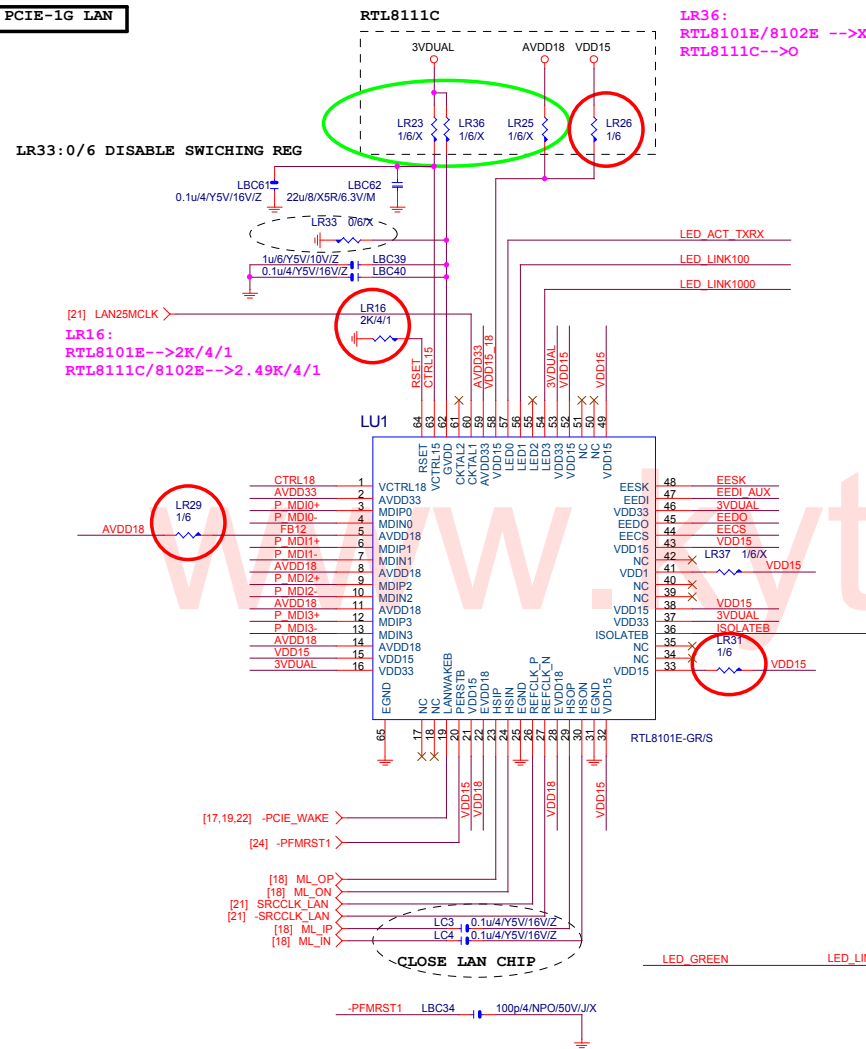
CHOKE06U-40A_1PDL-3 R0603-RH-SHORT10-MASK



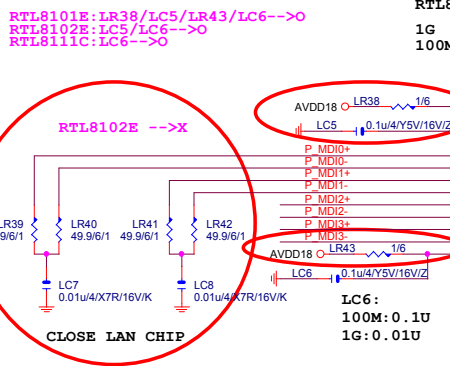
ATXPWR_24-2
ATX POWER CONNECTOR



PCIe-1G LAN

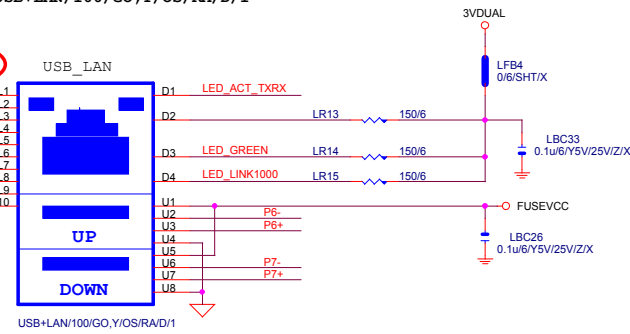


USB LAN CONNECTOR

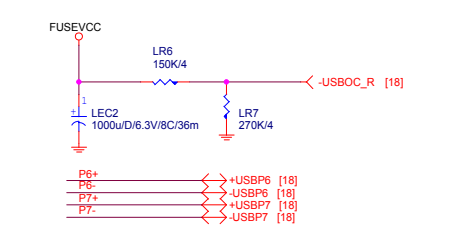
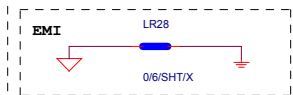


RTL8101E :LI+L10-->AVDD18+0.1U(BIOS DISABLE MDI-X FUNCTION)

1G :USB+LAN/1G/GO,Y/OS/RA/D/1
100M:USB+LAN/100/GO,Y/OS/RA/D/1

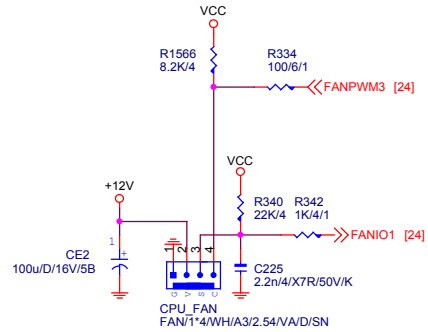


USB LAN

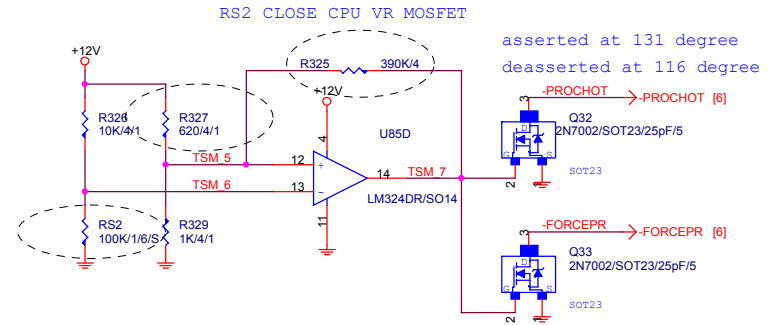


Gigabyte Technology		
REALTEK RTL8111C/8101E		
Document Number	945GCM-S2C	
Date:	Tuesday, October 02, 2007	Sheet 32 of 33
Size		Rev 1.02

CPU SMART FAN SMART FAN

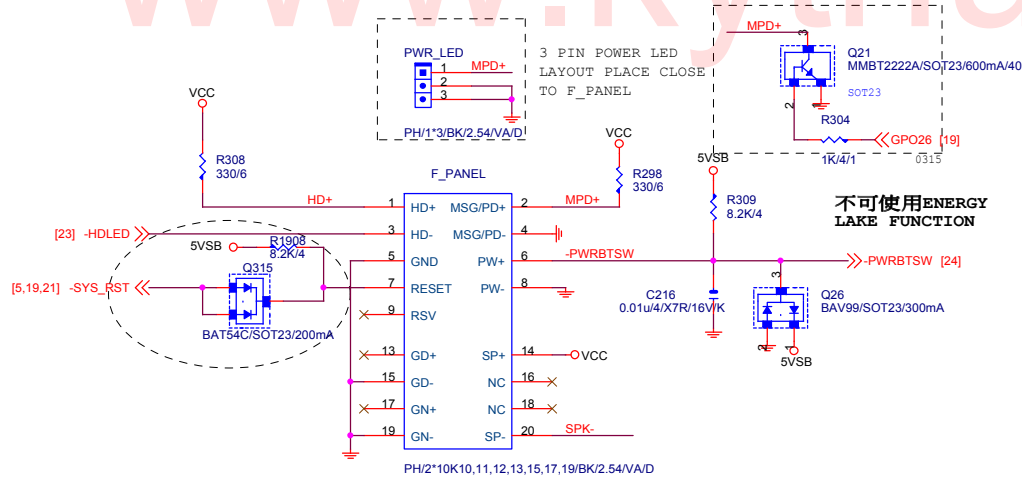


PROCESSOR HOT

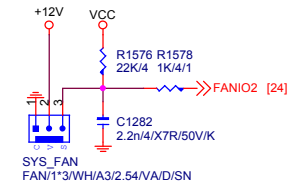


INTEL FRONT PANEL

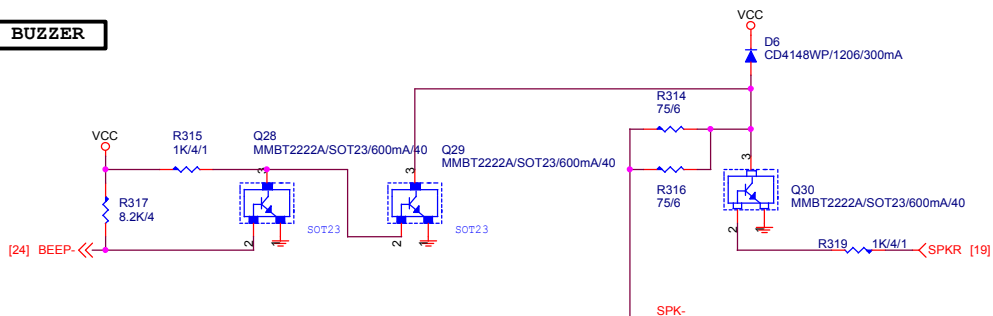
MPD- : (GPIO25--VCCSUS3+HI+HI+DEFINED (C3/C4/S/1/S3/S/4/S5)) -->INTEL



SYS_FAN



BUZZER



Gigabyte Technology		
FRONT PANEL		
Title	945GCM-S2C	
Size Custom	Document Number	Rev 1.02
Date: Tuesday, October 02, 2007	Sheet 33 of 33	