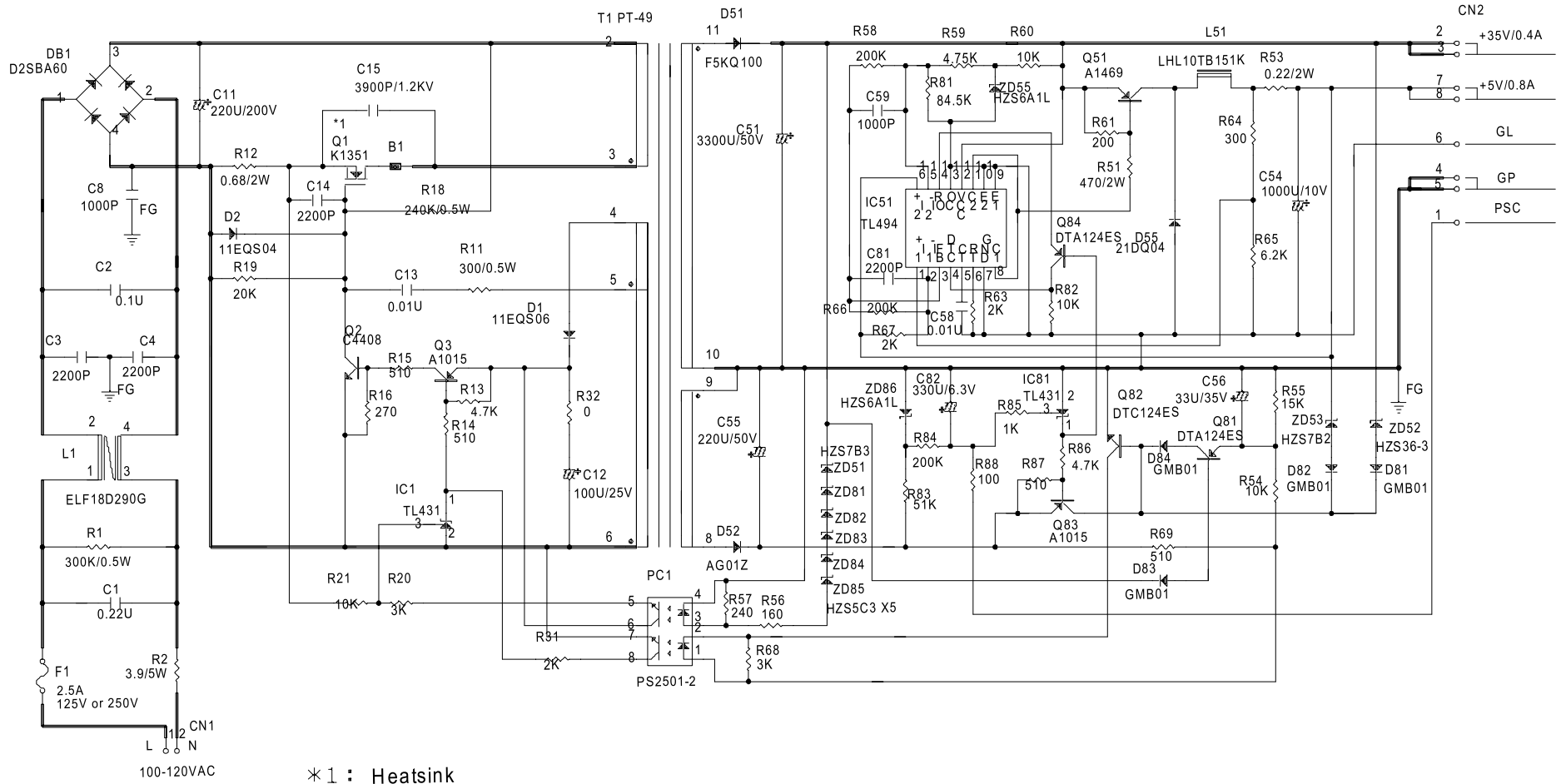


Figure A-4. C137 PSB Board Circuit Diagram



\* 1 : Heatsink