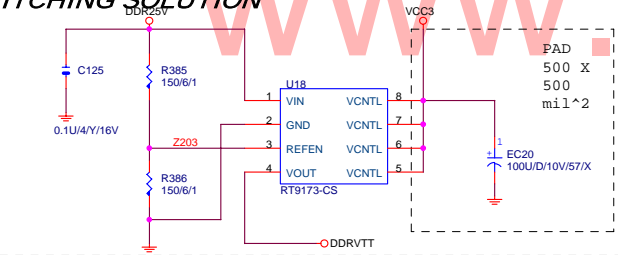
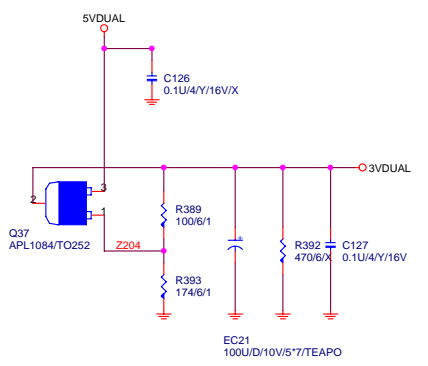


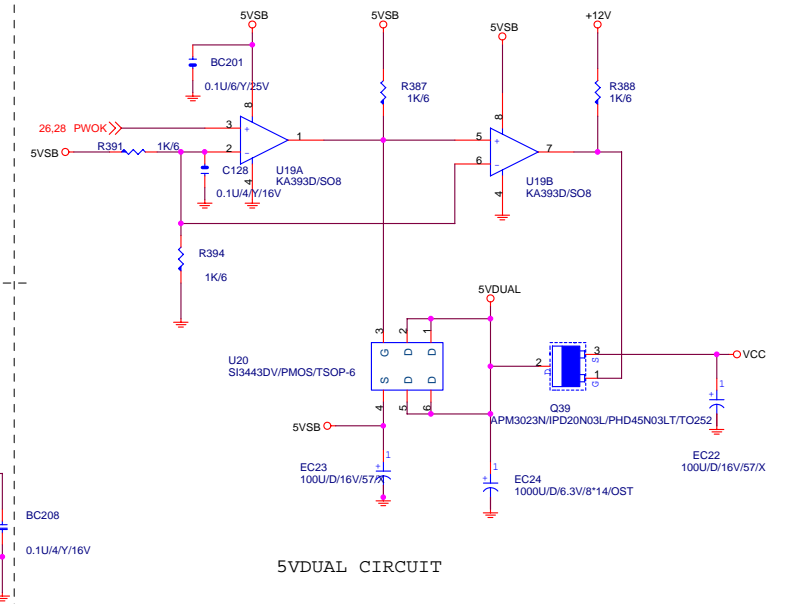
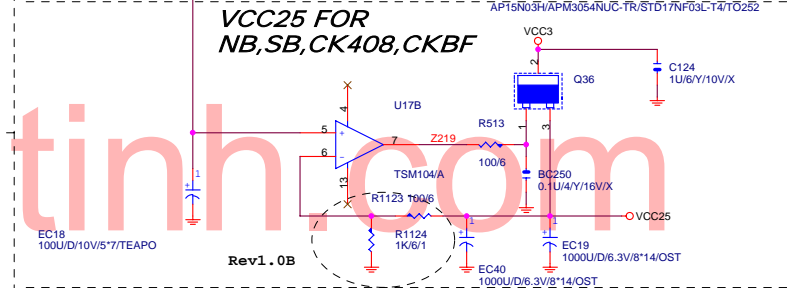
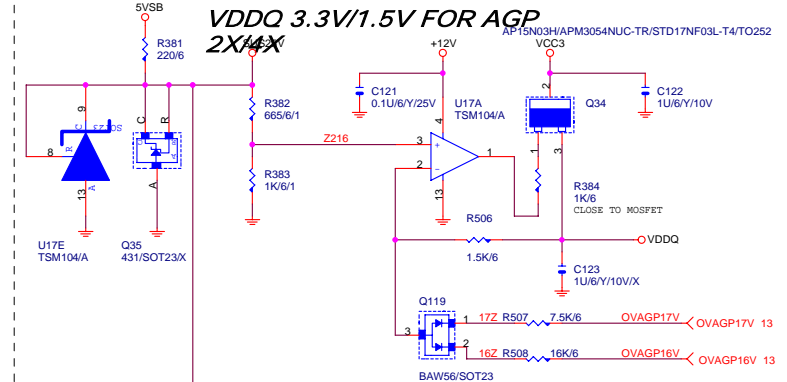
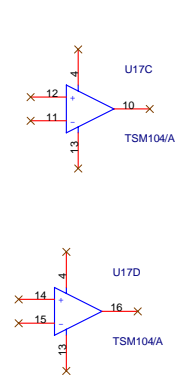
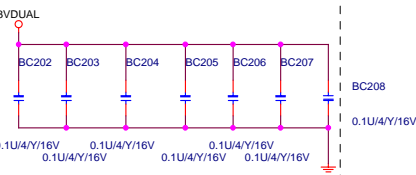
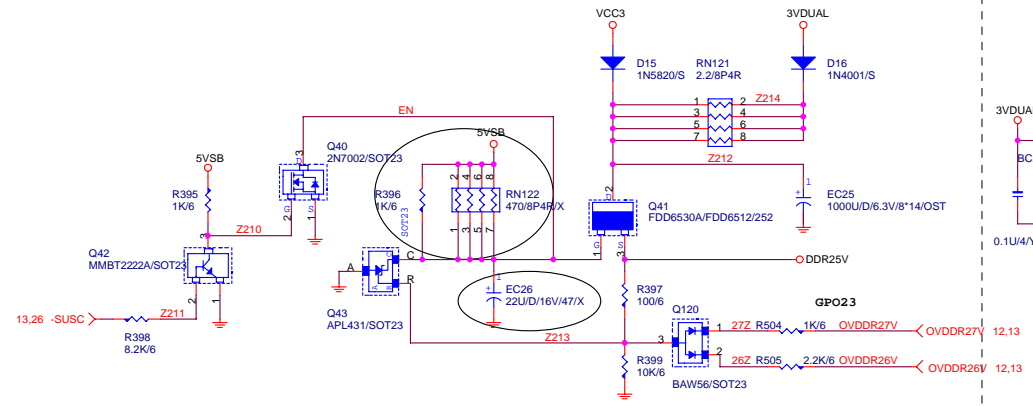
1.25V DDRVTT SWITCHING SOLUTION



5VDUAL TRANS TO 3VDUAL(3.3V)



DDR25V FOR DDR DIMM & NB



GIGABYTE		
DDR POWER		
Size Custom	Document Number	Rev
	7VT600P-RZ	1.0
Date:	星期三, 三月 16, 2004	Sheet 27 of 35