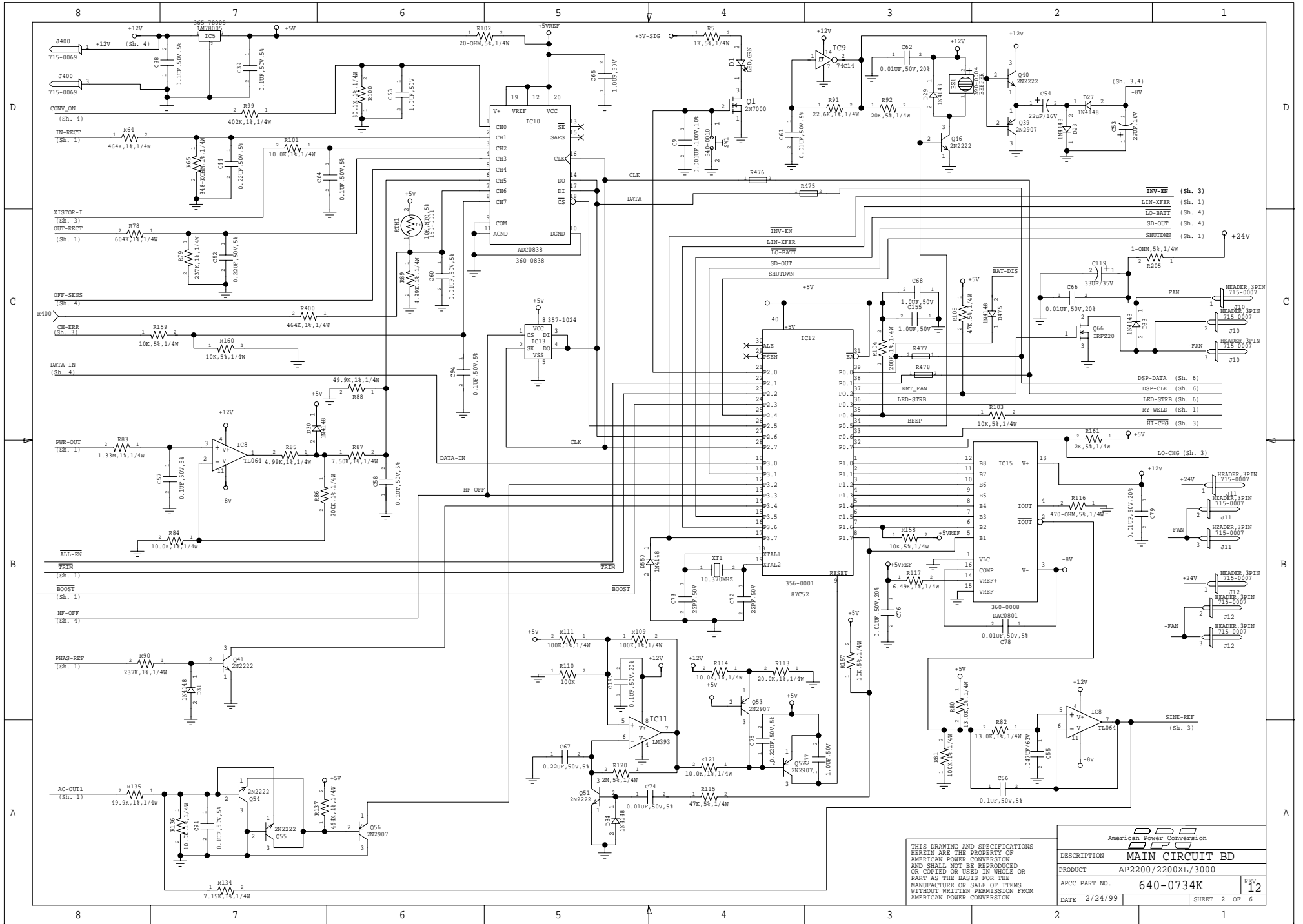
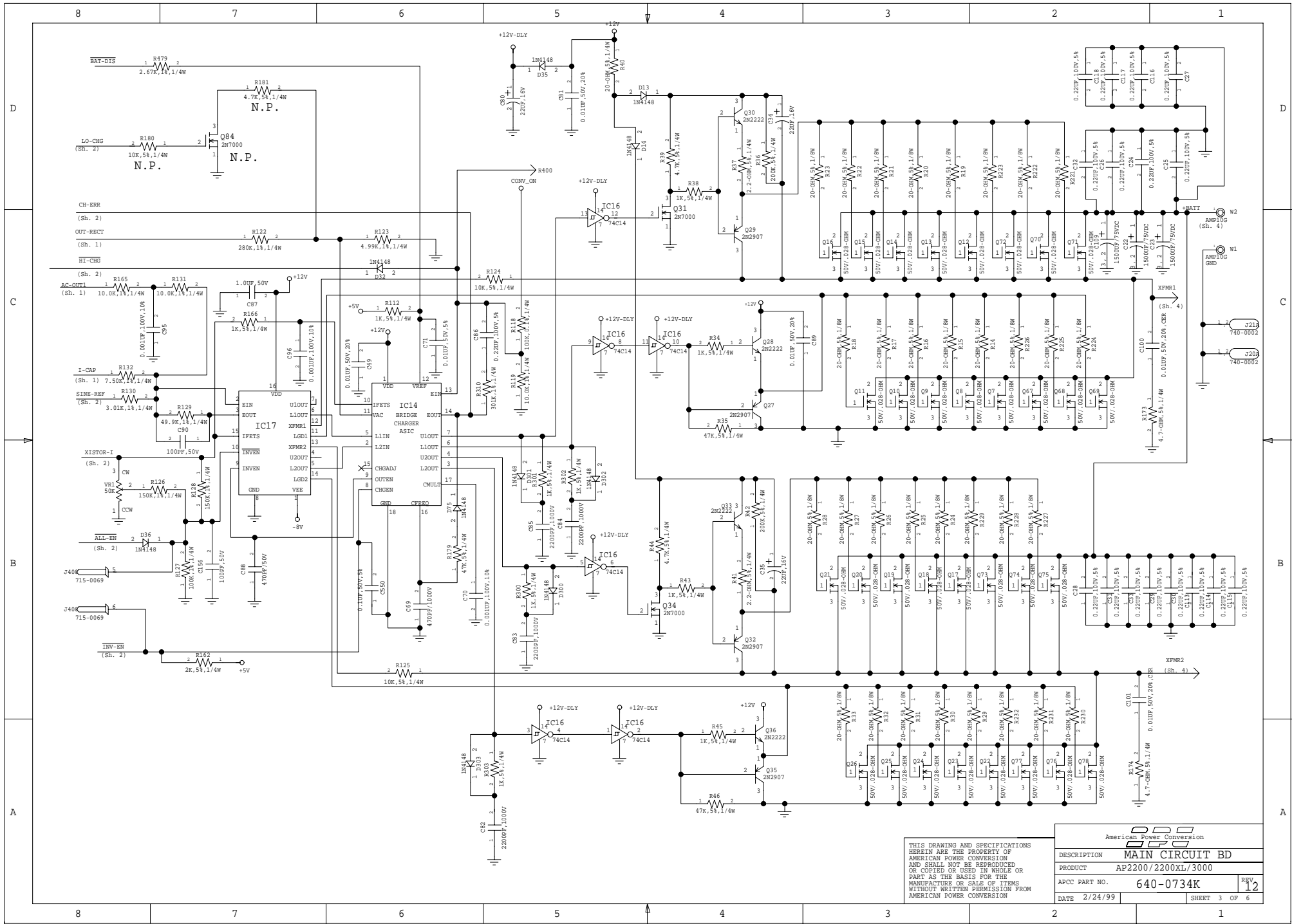


REV.	PCB REV.	ECO#	PAGE (ZONE)	DESCRIPTION	DATE	APPRVL
REVISION STATUS						
PCB DESIGNER: JML				DATE: 1/21/94		
ENGINEER: JOHN, RON AND MIKEL				DATE: 2/19/94		
CHECKED:				DATE:		
DWG FILE:				DATE:		
				American Power Conversion		
				DESCRIPTION: MAIN CIRCUIT BD		
				PRODUCT: AP2200/2200XL/3000		
				APCC PART NO.: 640-0734K		
				REV. 12		
				DATE: 2/24/99		
				SHEET 1 OF 6		



THIS DRAWING AND SPECIFICATIONS  
 HEREIN ARE THE PROPERTY OF  
 AMERICAN POWER CONVERSION  
 AND SHALL NOT BE REPRODUCED  
 OR COPIED OR USED IN WHOLE OR  
 PART AS THE BASIS FOR THE  
 MANUFACTURE OR SALE OF ITEMS  
 WITHOUT WRITTEN PERMISSION FROM  
 AMERICAN POWER CONVERSION

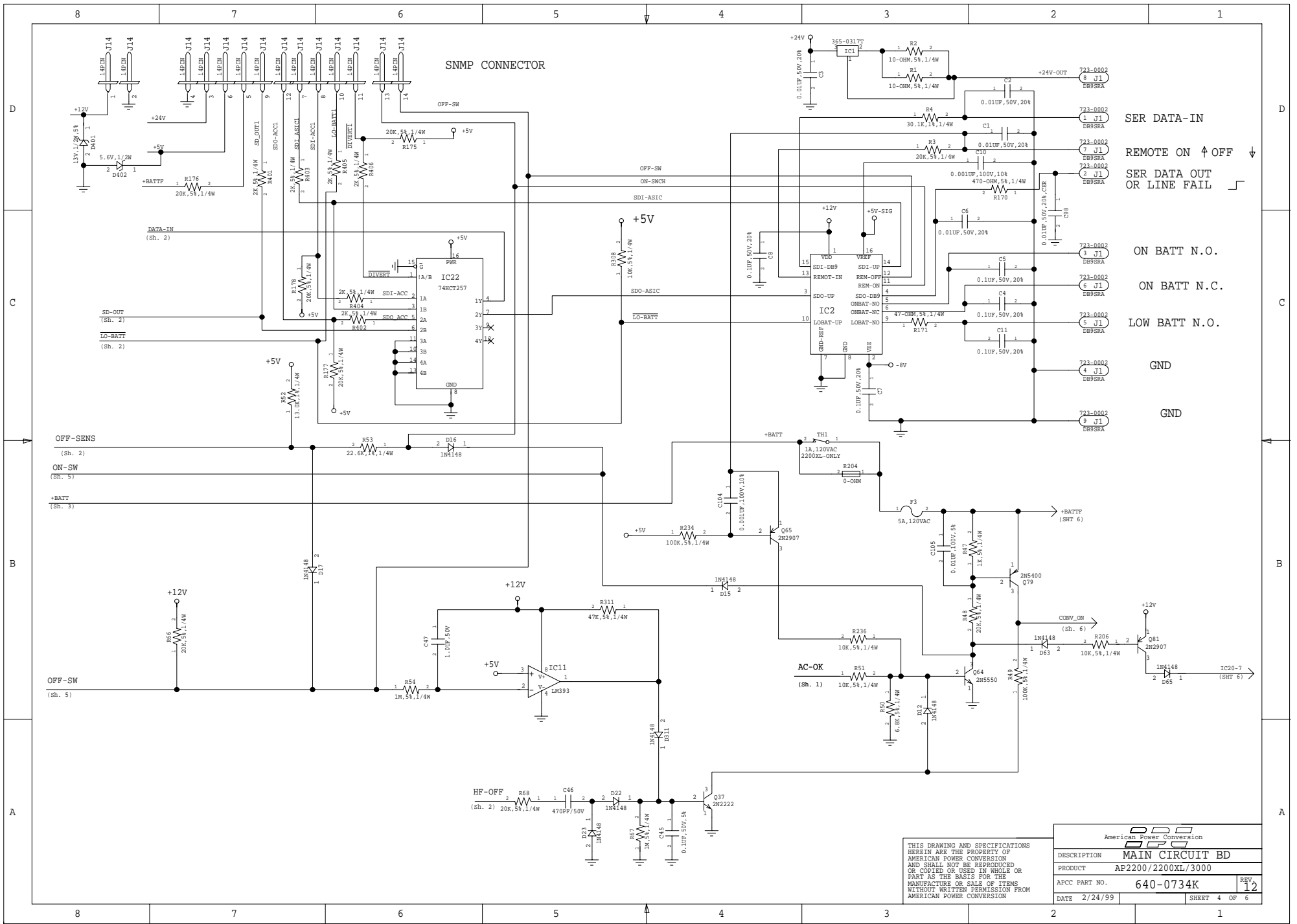
American Power Conversion	
DESCRIPTION	MAIN CIRCUIT BD
PRODUCT	AP2200/2200XL/3000
APCC PART NO.	640-0734K
DATE	2/24/99
SHEET	2 OF 6



THIS DRAWING AND SPECIFICATIONS  
HEREIN ARE THE PROPERTY OF  
AMERICAN POWER CONVERSION  
AND SHALL NOT BE REPRODUCED  
OR COPIED OR USED IN WHOLE OR  
PART AS THE BASIS FOR THE  
MANUFACTURE OR SALE OF ITEMS  
WITHOUT WRITTEN PERMISSION FROM  
AMERICAN POWER CONVERSION

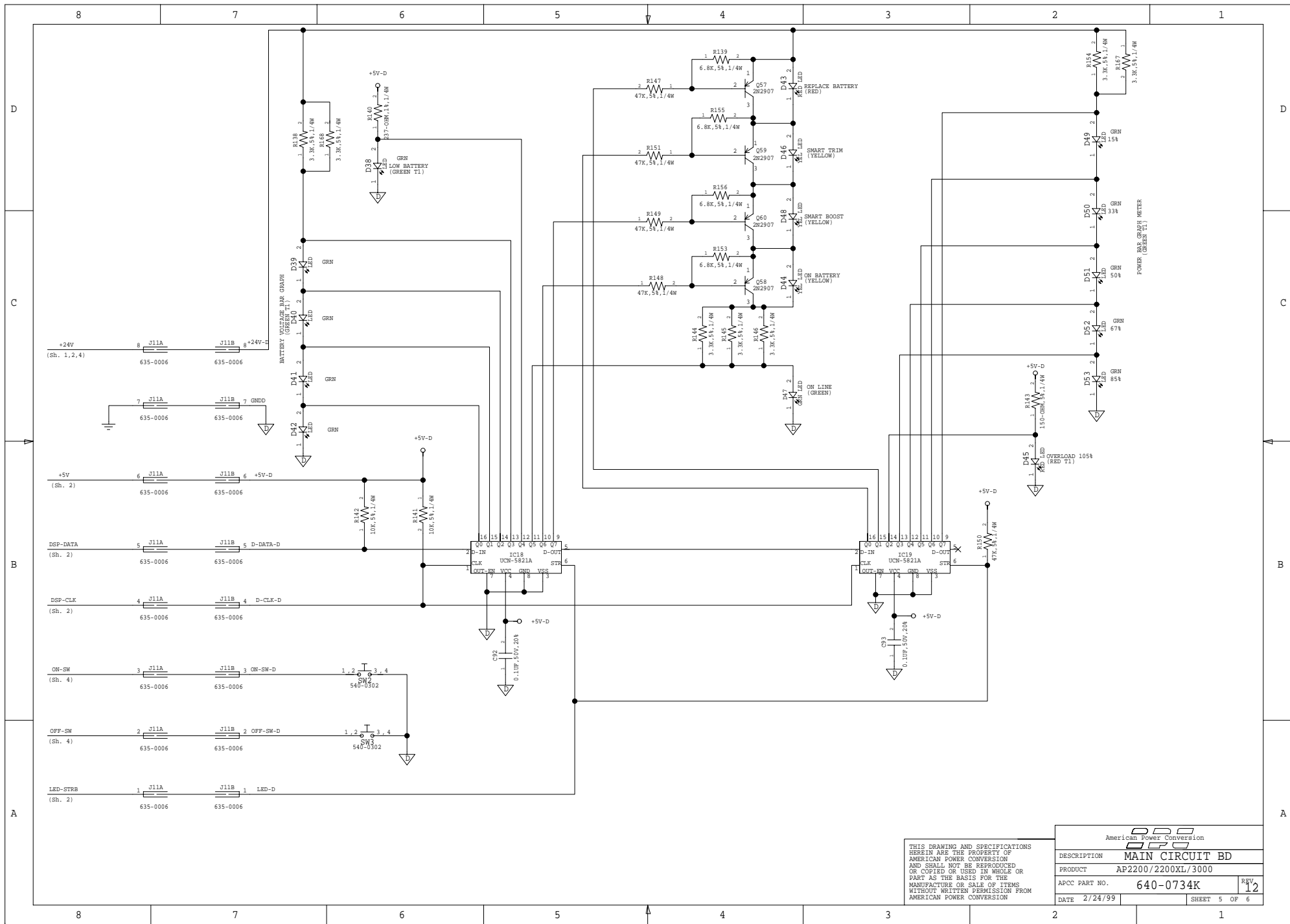
American Power Conversion	
<b>DESCRIPTION</b>	
MAIN CIRCUIT BD	
<b>PRODUCT</b>	
AP2200/2200XL/3000	
<b>APCC PART NO.</b>	
640-0734K	
<b>DATE</b>	<b>SHEET</b>
2/24/99	3 OF 6

REV 12



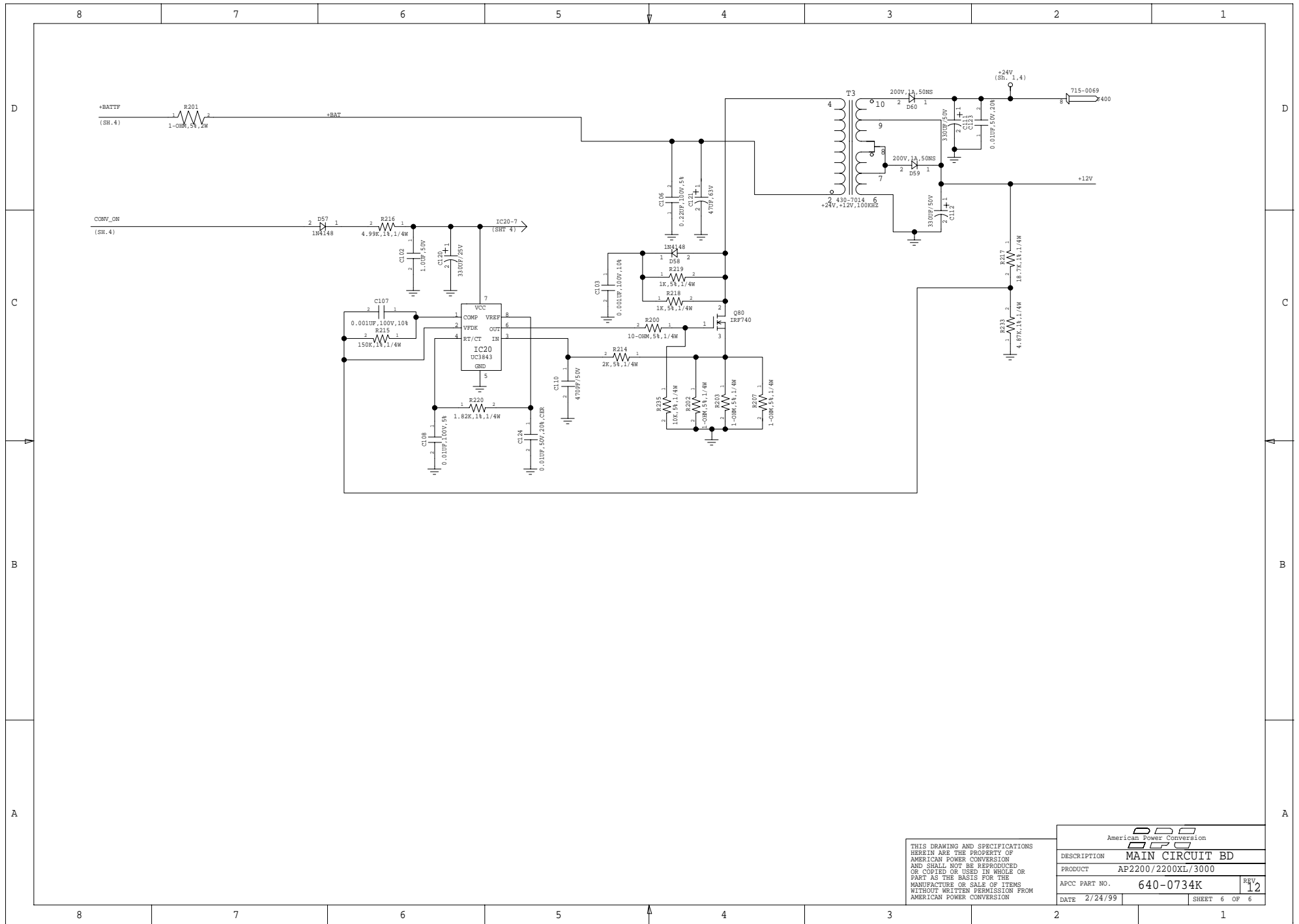
THIS DRAWING AND SPECIFICATIONS  
HEREIN ARE THE PROPERTY OF  
AMERICAN POWER CONVERSION  
AND SHALL NOT BE REPRODUCED  
OR COPIED OR USED IN WHOLE OR  
PART AS THE BASIS FOR THE  
MANUFACTURE OR SALE OF ITEMS  
WITHOUT WRITTEN PERMISSION FROM  
AMERICAN POWER CONVERSION

American Power Conversion	
DESCRIPTION	MAIN CIRCUIT BD
PRODUCT	AP2200/2200XL/3000
APCC PART NO.	640-0734K
DATE	2/24/99
SHEET	4 OF 6
REV	12



THIS DRAWING AND SPECIFICATIONS  
HEREIN ARE THE PROPERTY OF  
AMERICAN POWER CONVERSION  
AND SHALL NOT BE REPRODUCED  
OR COPIED OR USED IN WHOLE OR  
PART AS THE BASIS FOR THE  
MANUFACTURE OR SALE OF ITEMS  
WITHOUT WRITTEN PERMISSION FROM  
AMERICAN POWER CONVERSION

American Power Conversion	
DESCRIPTION	MAIN CIRCUIT BD
PRODUCT	AP2200/2200XL/3000
APCC PART NO.	640-0734K
DATE	2/24/99
SHEET	5 OF 6
REV	12



THIS DRAWING AND SPECIFICATIONS  
HEREIN ARE THE PROPERTY OF  
AMERICAN POWER CONVERSION  
AND SHALL NOT BE REPRODUCED  
OR COPIED OR USED IN WHOLE OR  
PART AS THE BASIS FOR THE  
MANUFACTURE OR SALE OF ITEMS  
WITHOUT WRITTEN PERMISSION FROM  
AMERICAN POWER CONVERSION

American Power Conversion 	
DESCRIPTION	MAIN CIRCUIT BD
PRODUCT	AP2200/2200XL/3000
APCC PART NO.	640-0734K
DATE	2/24/99
REV 1.2 SHEET 6 OF 6	